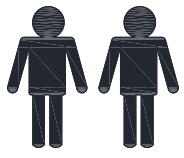
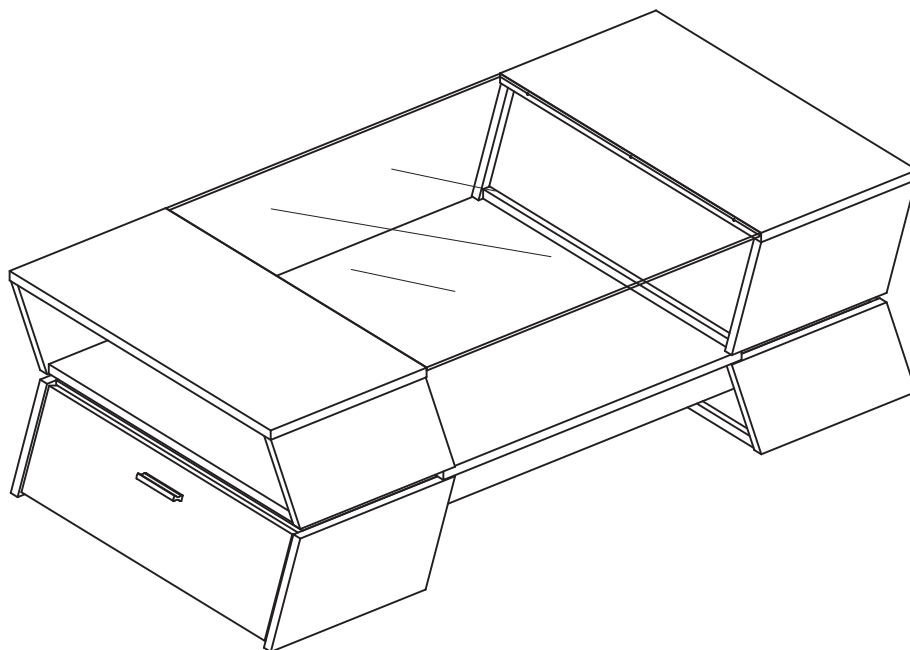
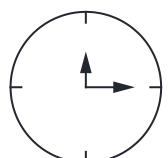


There is a protective film,
please tear it off.

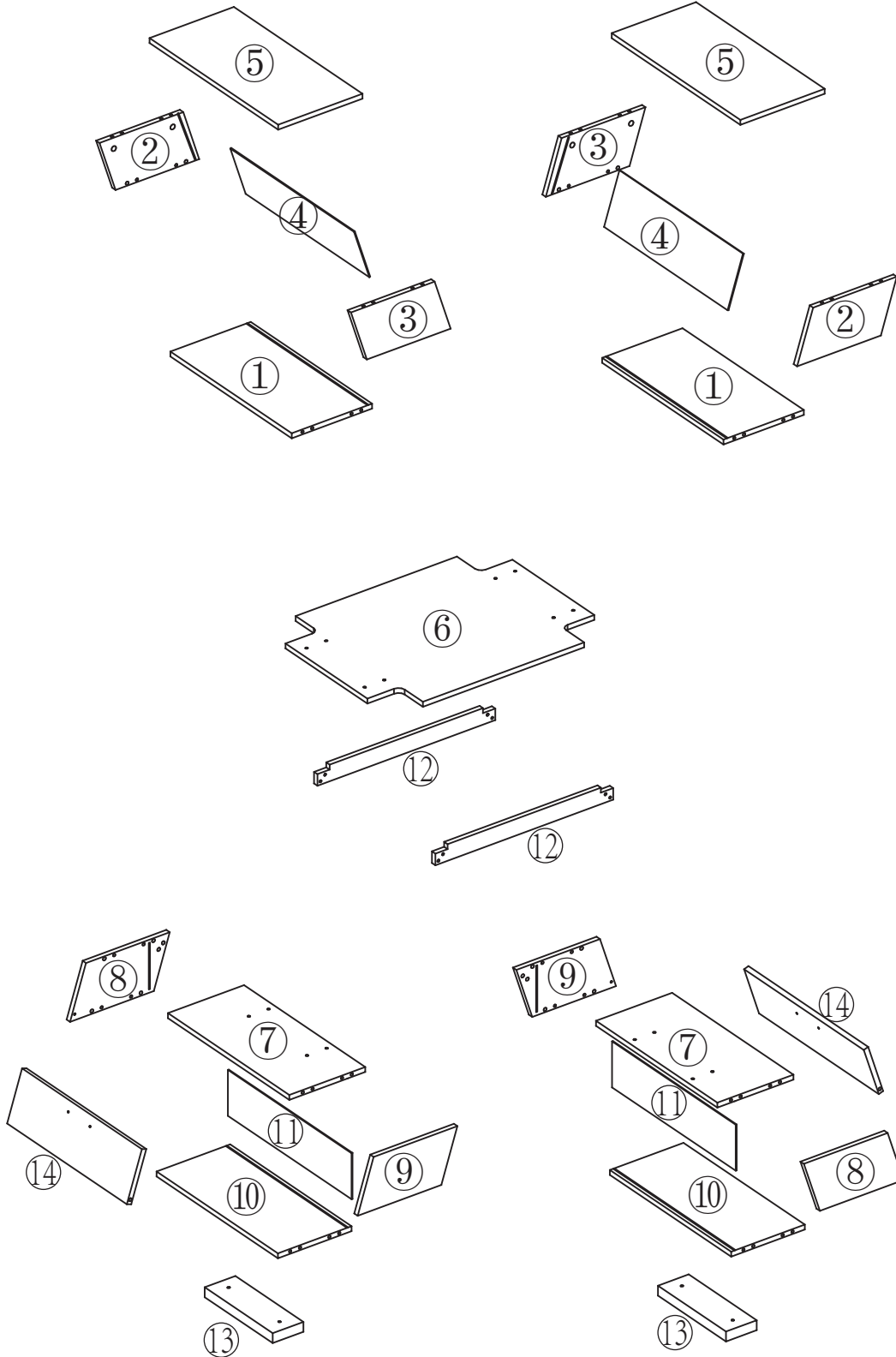


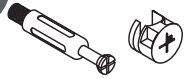
2 PERS

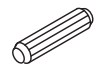



60 MIN


PARTS LIST




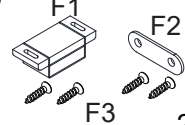
A  32+2set

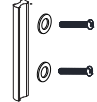
B  M8*30 32+2pcs

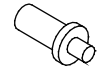
C  M6*25 8+1pcs


D  M6*35 4+1pcs


E  M6*40 8+1pcs


F  F1 F2 F3 2set

G  2set

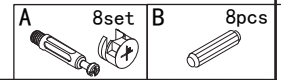
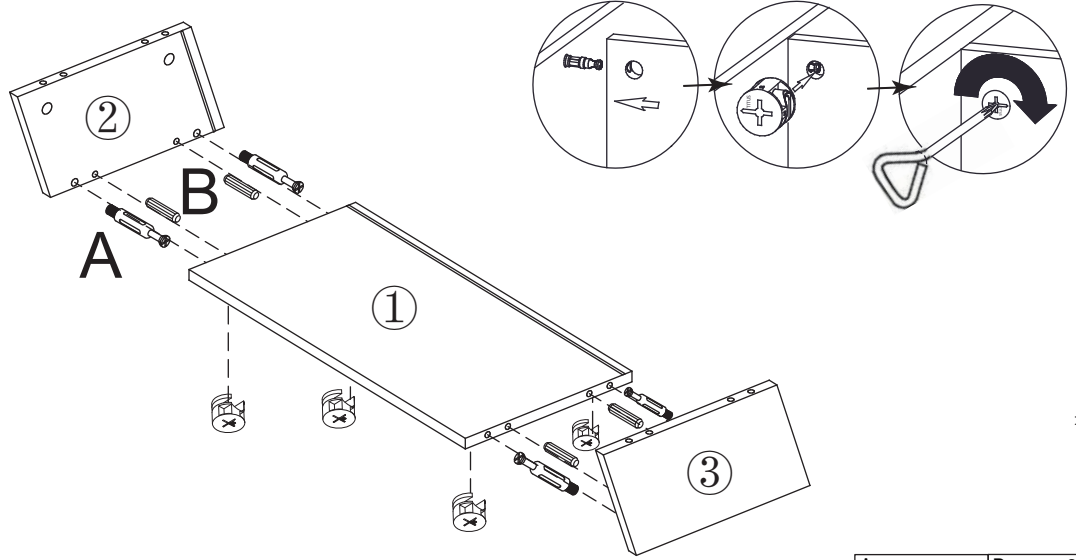
H  4+1pcs

J  6+2set

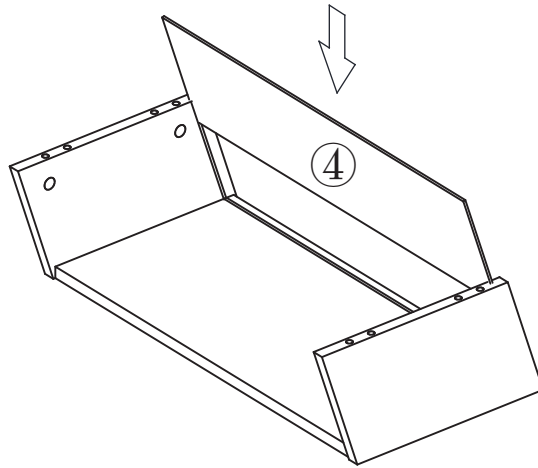
K  32pcs

L  1pcs

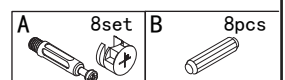
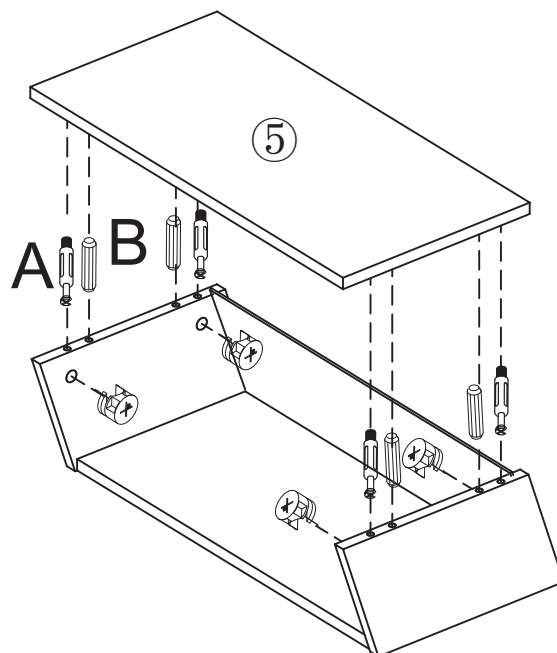
Step 1 X2



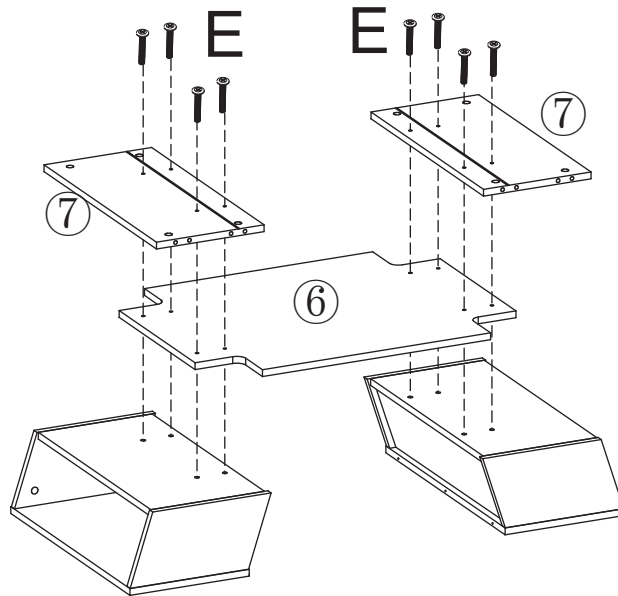
Step 2 X2



Step 3 X2



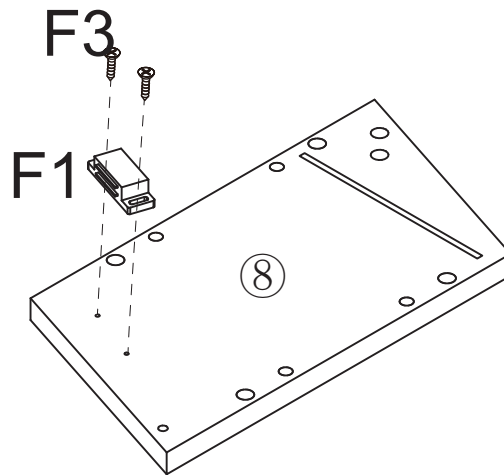
Step 4




E 8pcs




Step 5 X2



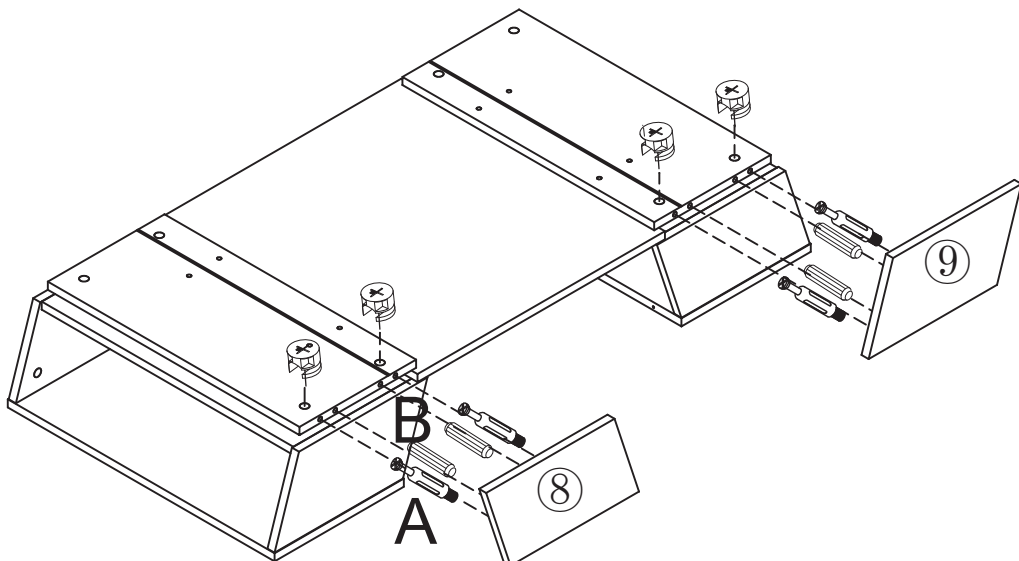
F1=2pcs




F3=4pcs




Step 6



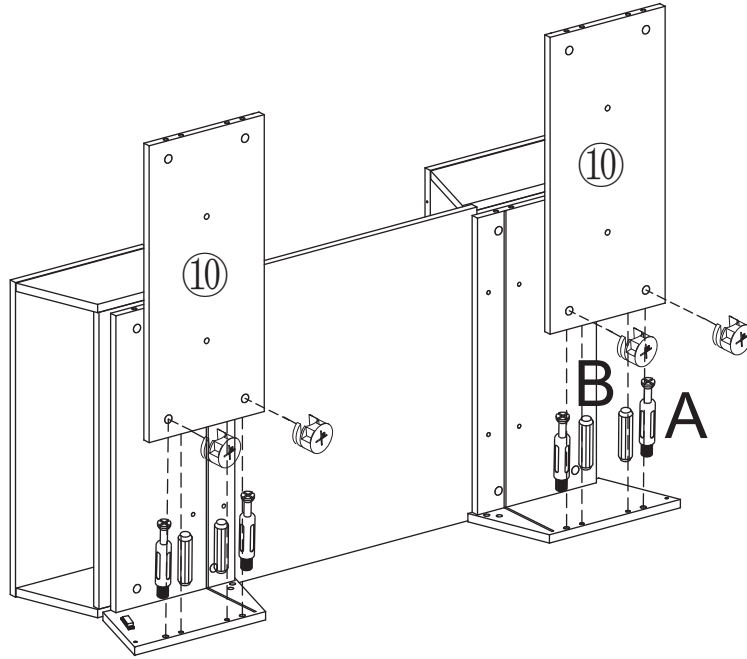
A 4set



B 4pcs

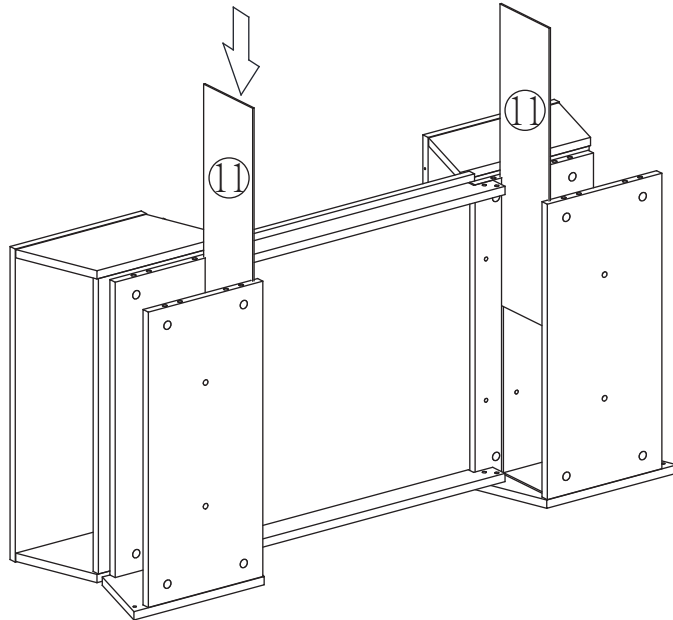


Step 7

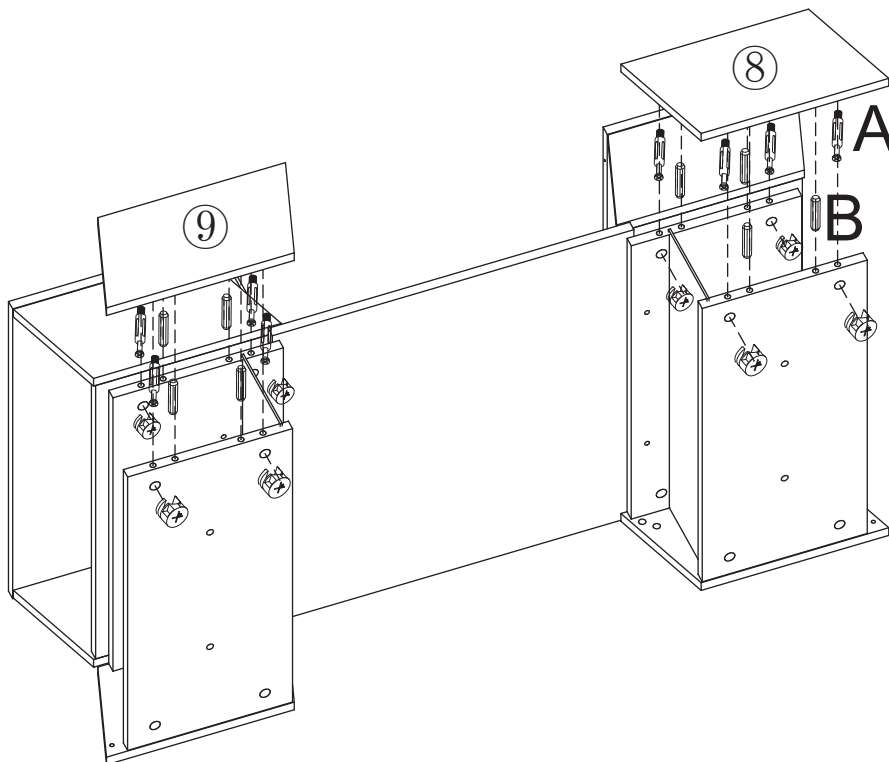


- | | | | |
|---|------|---|------|
| A | 4set | B | 4pcs |
|---|------|---|------|

Step 8

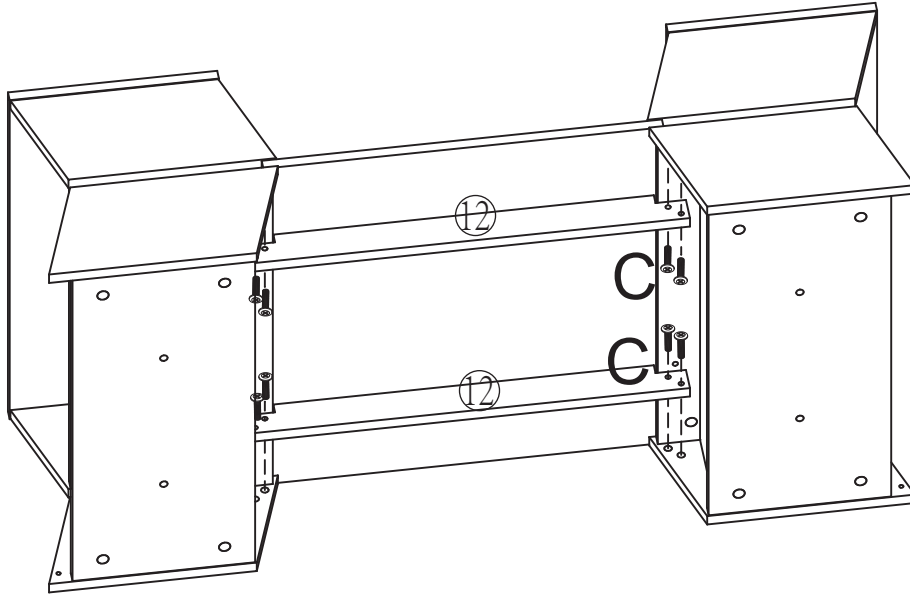


Step 9



- | | | | |
|---|------|---|------|
| A | 8set | B | 8pcs |
|---|------|---|------|

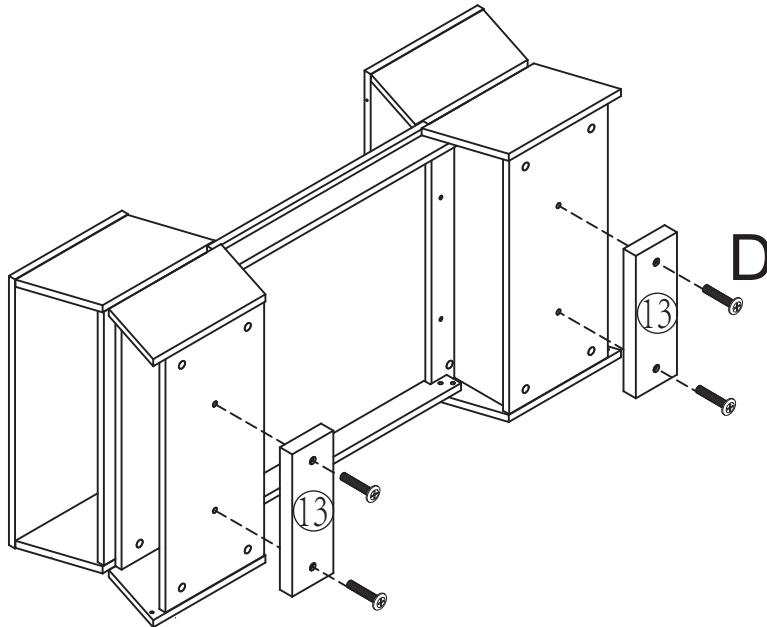
Step 10



C 8pcs



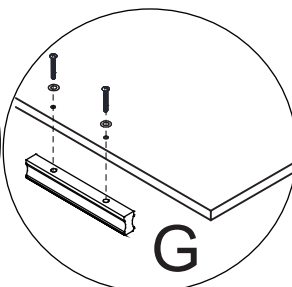
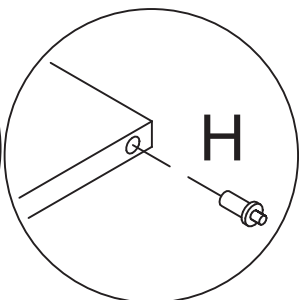
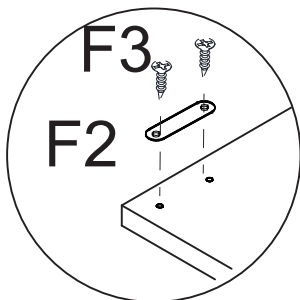
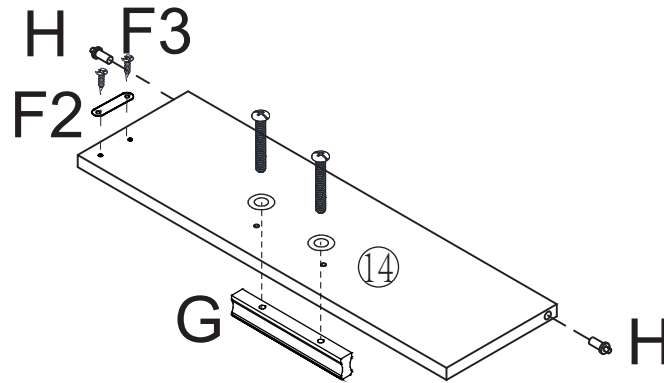
Step 11




D 4pcs




Step 12 X2




F1=2pcs




F3=4pcs



H 4pcs

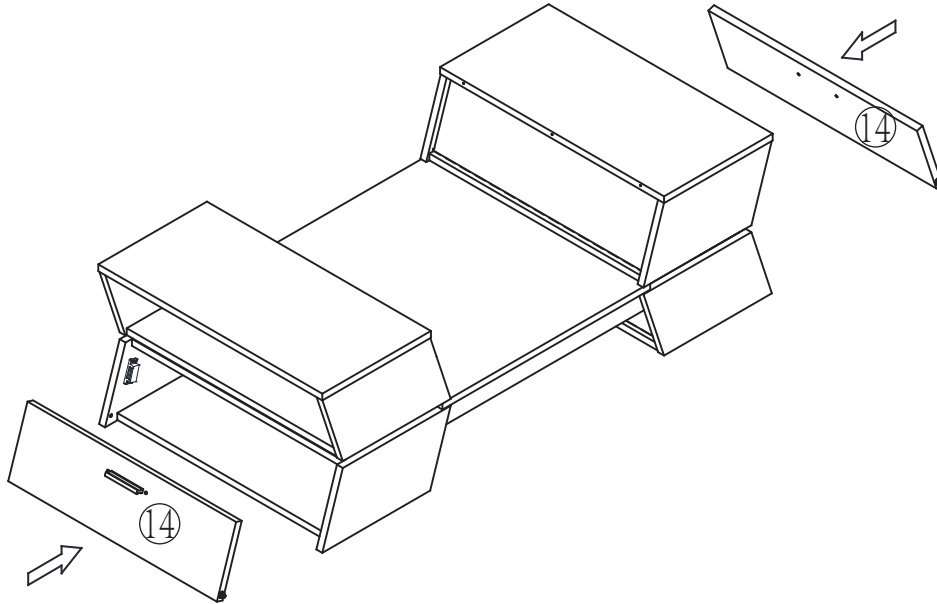


G 2set

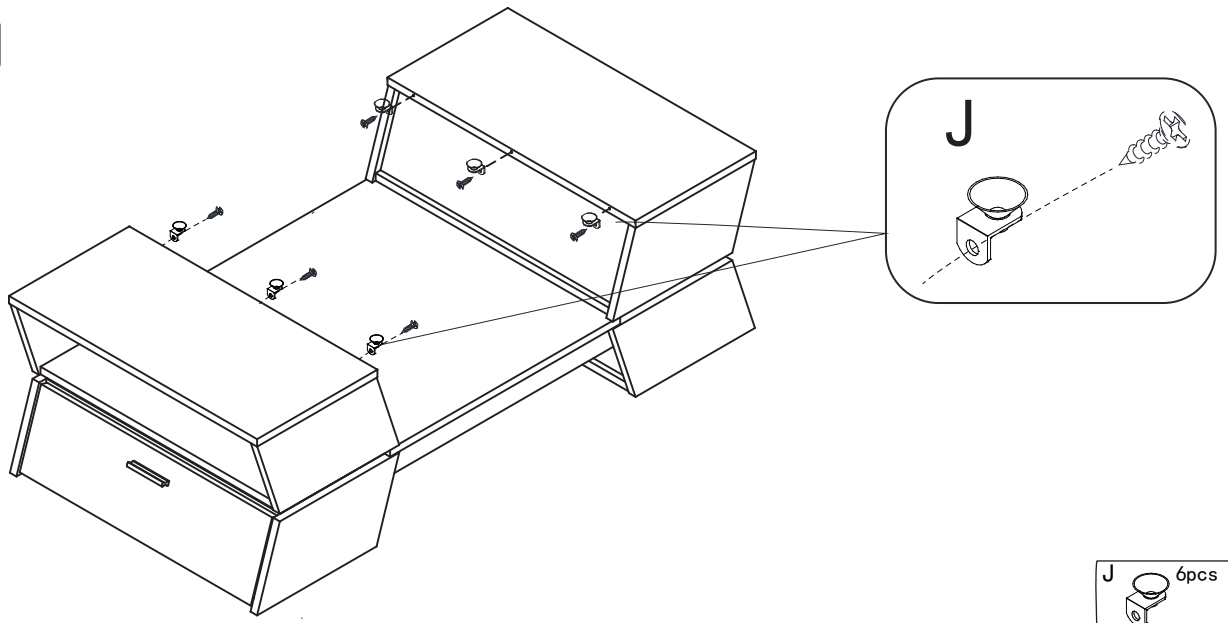


INSTRUCTION MANUAL

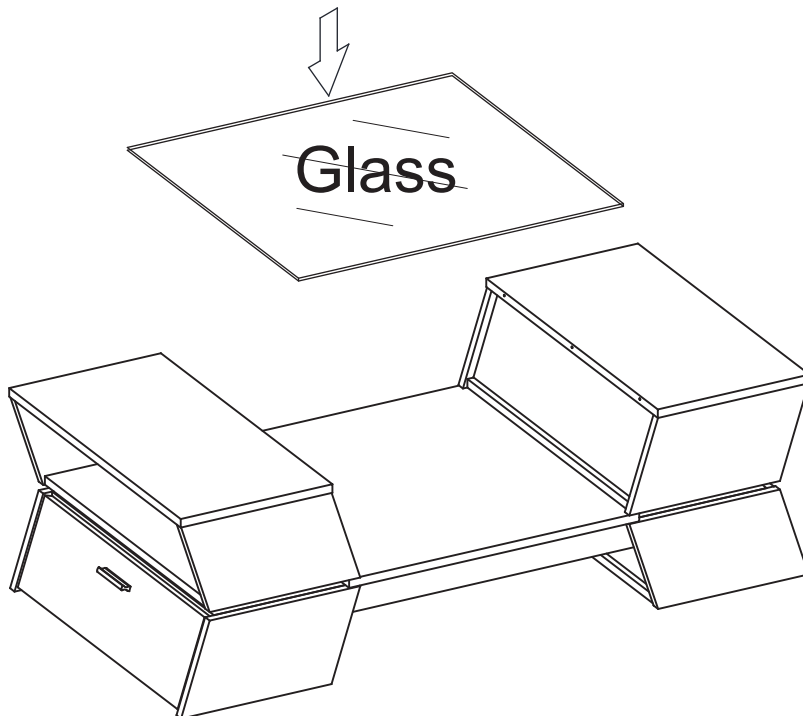
Step 13



Step 14



Step 15



Step 16

