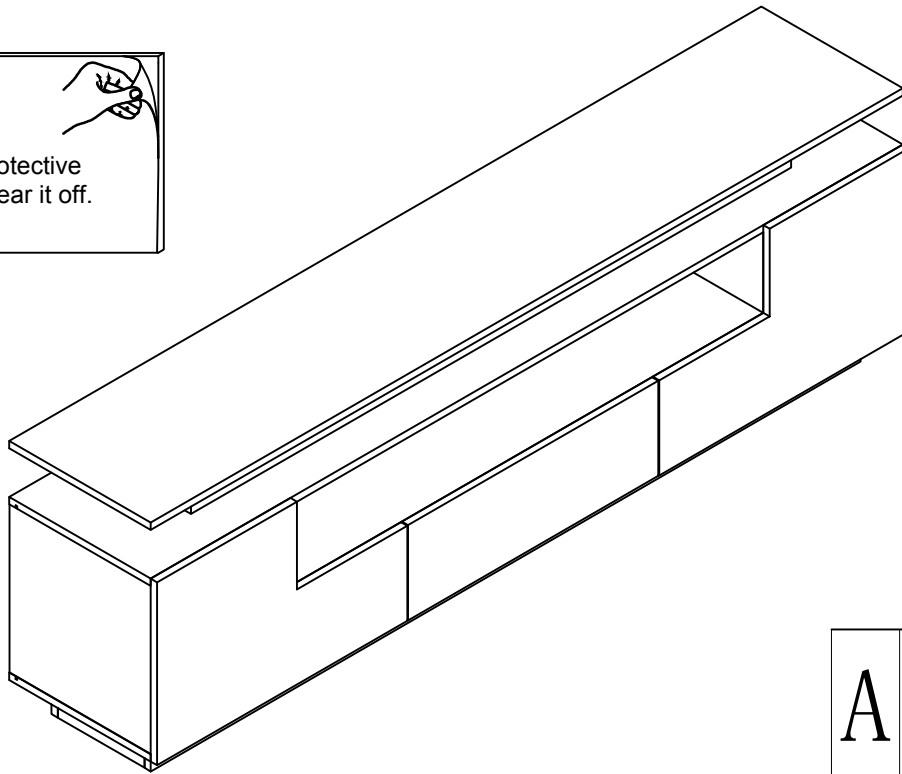
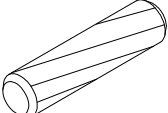

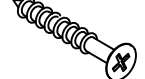
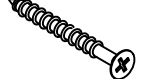
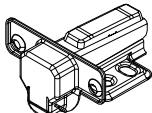
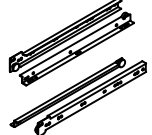
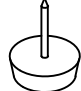
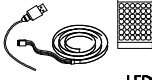
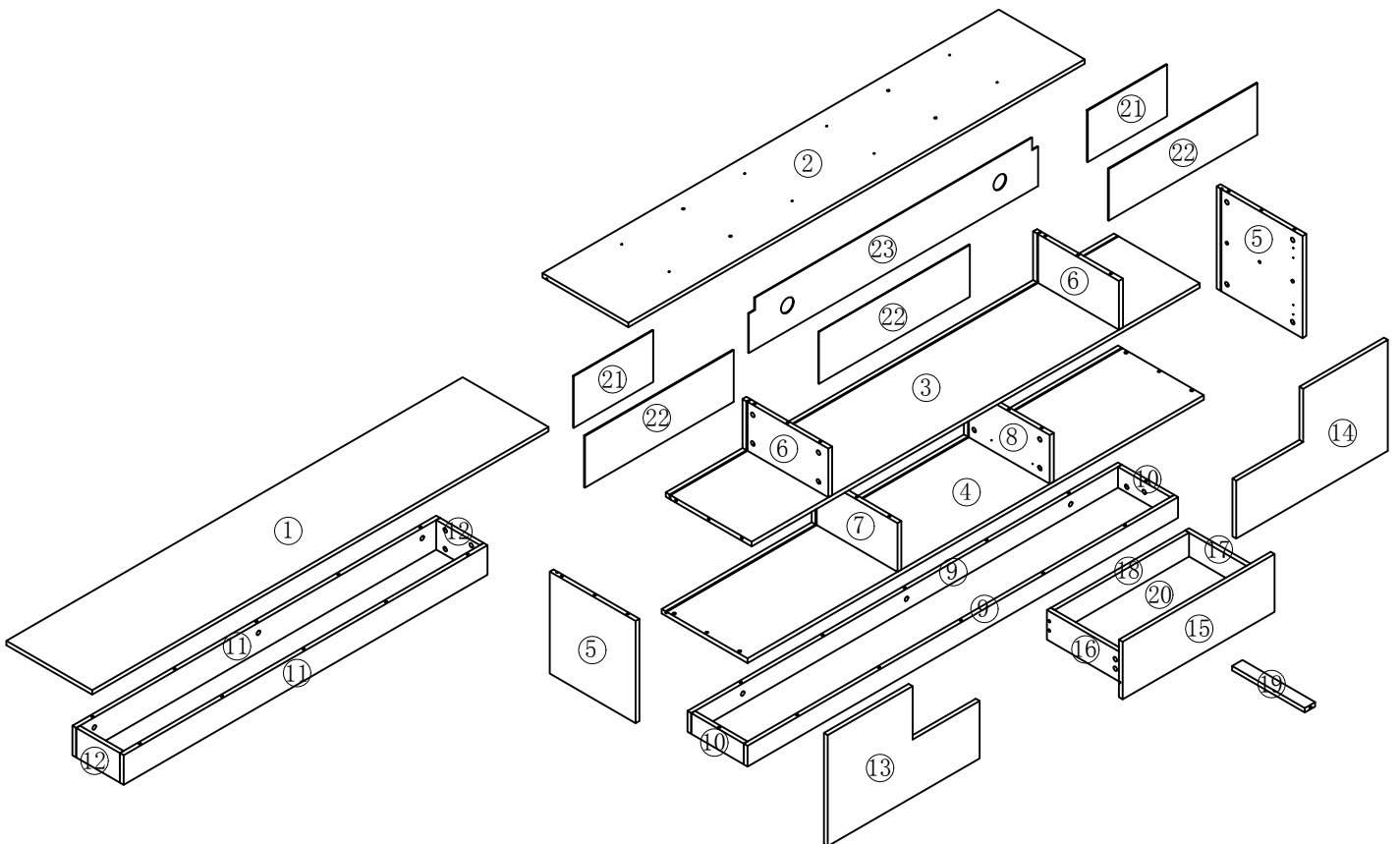


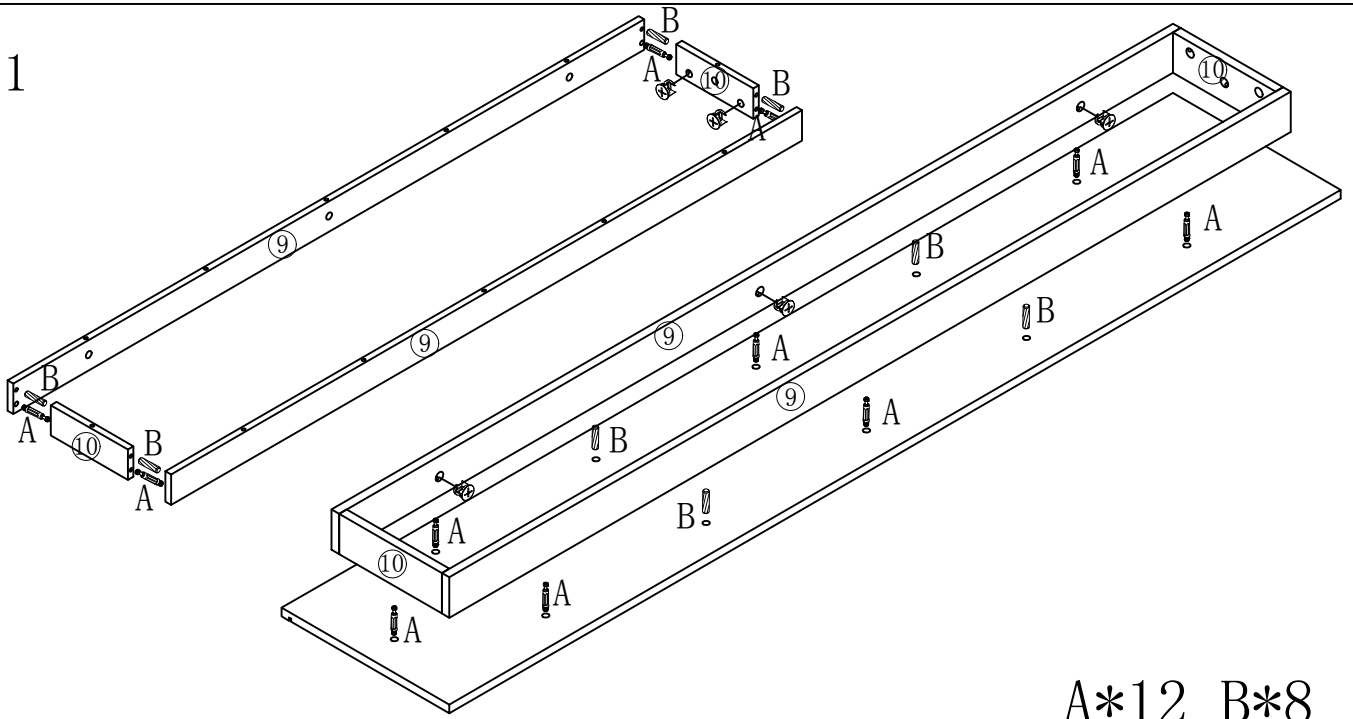
There is a protective film, please tear it off.



|   |                                                                                     |    |   |                                                                                               |    |   |                                                                                                |   |   |                                                                                                 |   |
|---|-------------------------------------------------------------------------------------|----|---|-----------------------------------------------------------------------------------------------|----|---|------------------------------------------------------------------------------------------------|---|---|-------------------------------------------------------------------------------------------------|---|
| B |   | 30 | C | <br>Φ 3.5*14 | 32 | D | <br>Φ 3.5*30 | 4 | E | <br>Φ 3.5*35 | 8 |
| F |  | 4  | G |            | 1  | H |            | 6 | L | <br>LED    | 1 |

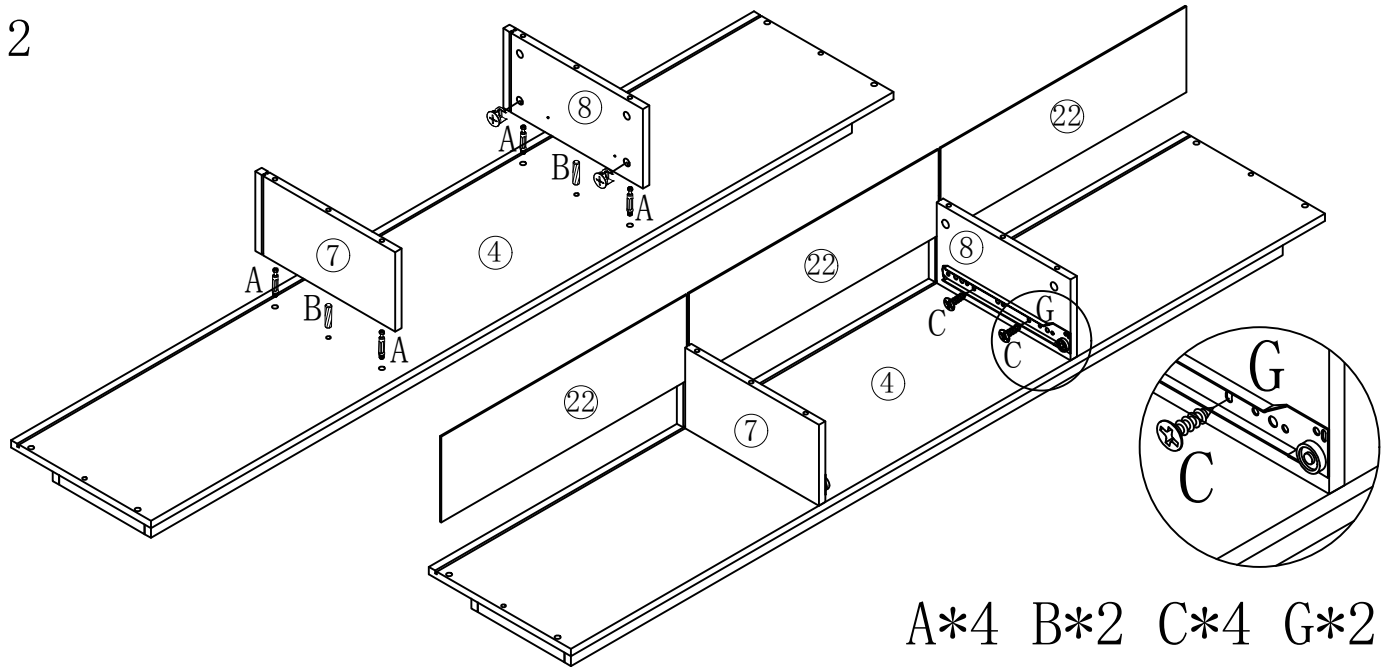


1



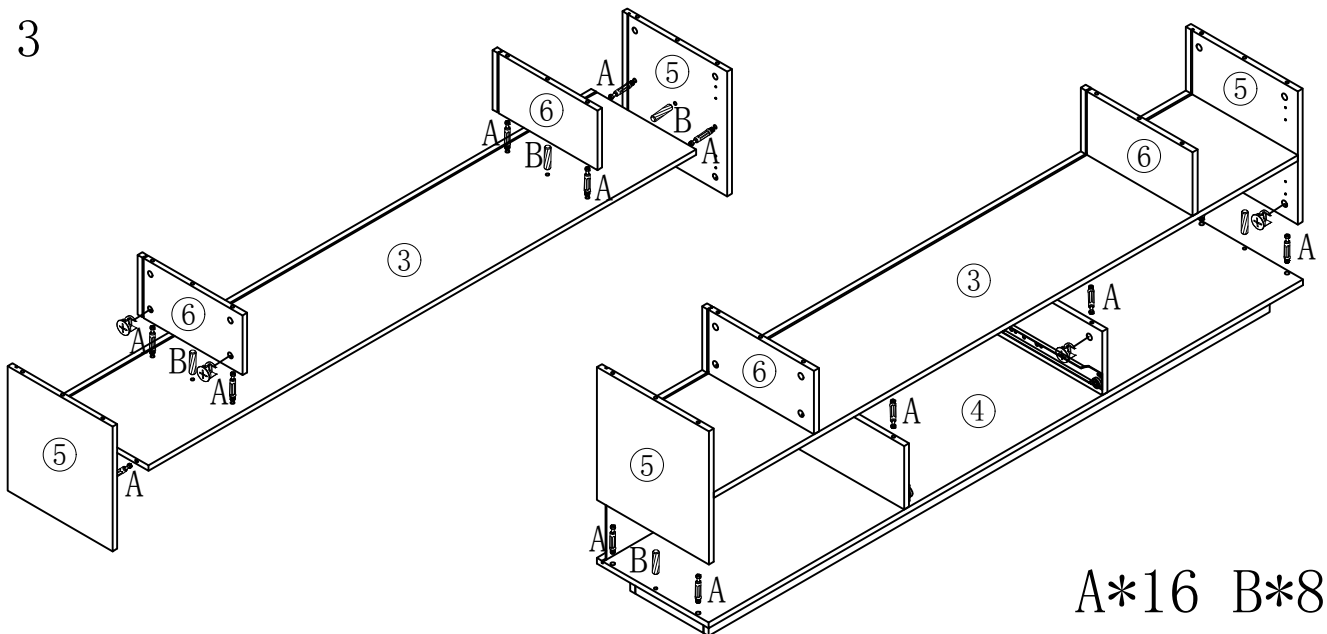
A\*12 B\*8

2



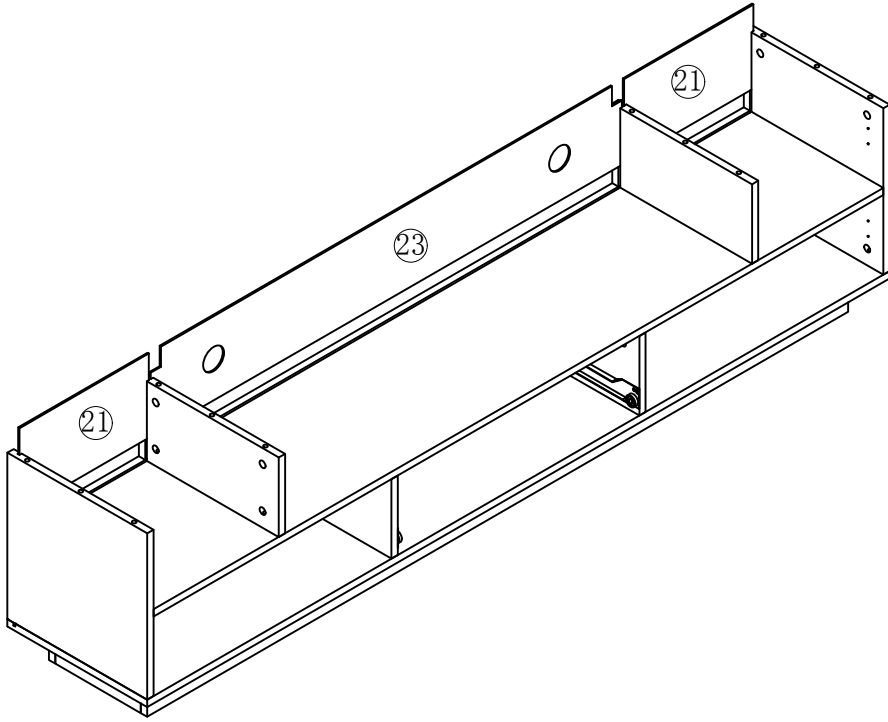
A\*4 B\*2 C\*4 G\*2

3

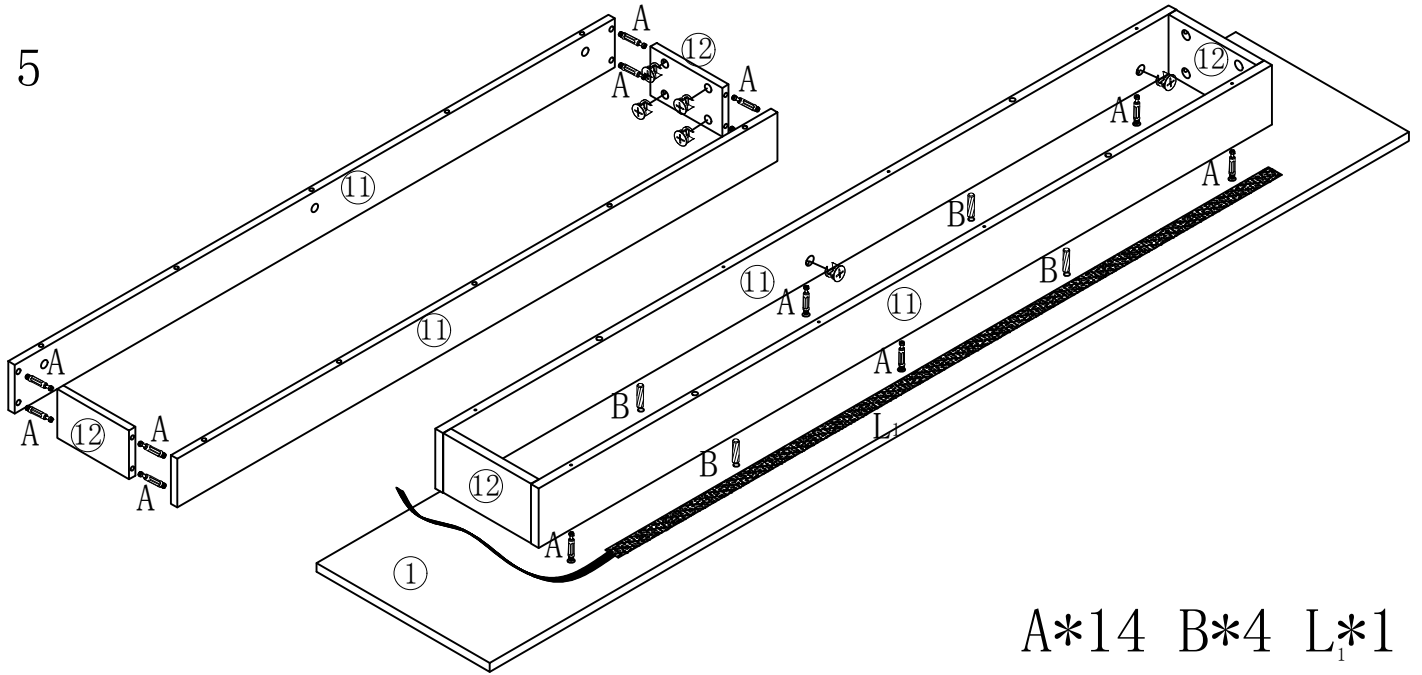


A\*16 B\*8

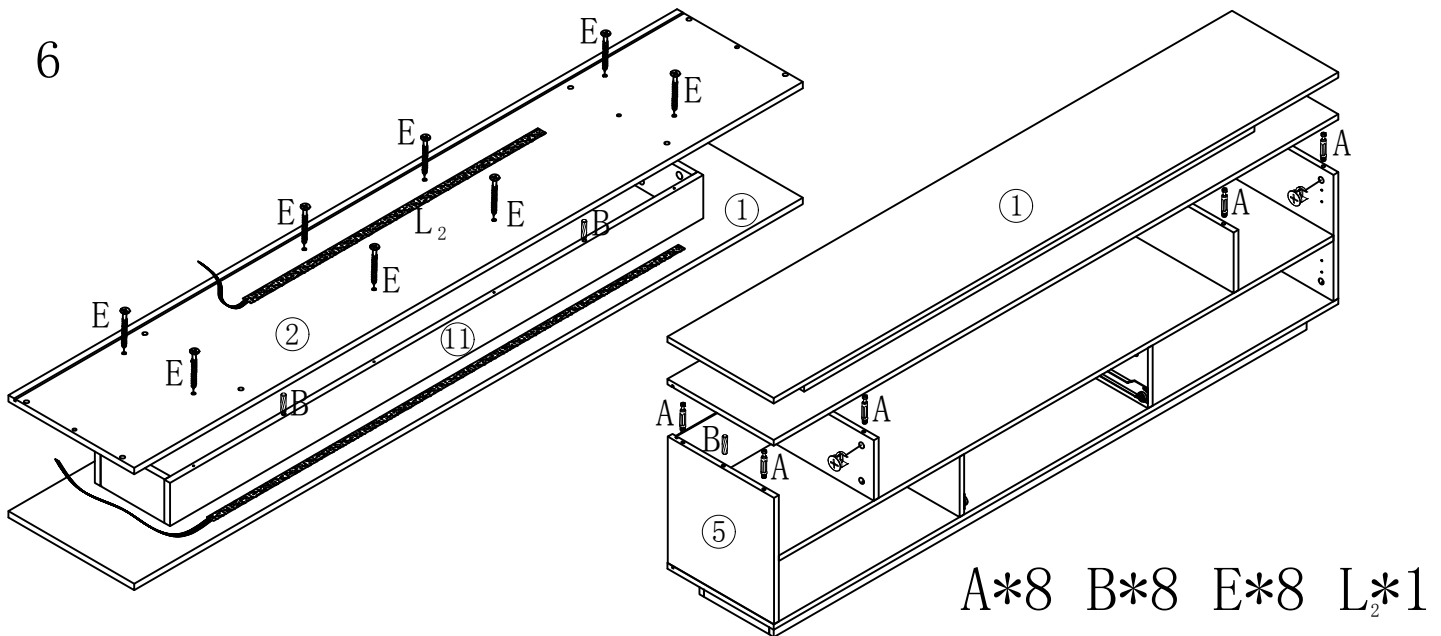
4



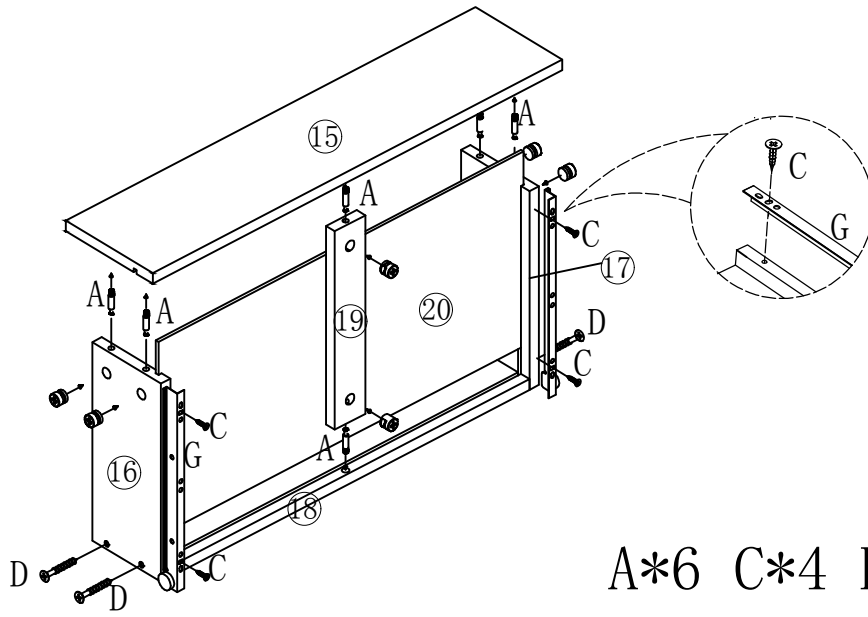
5



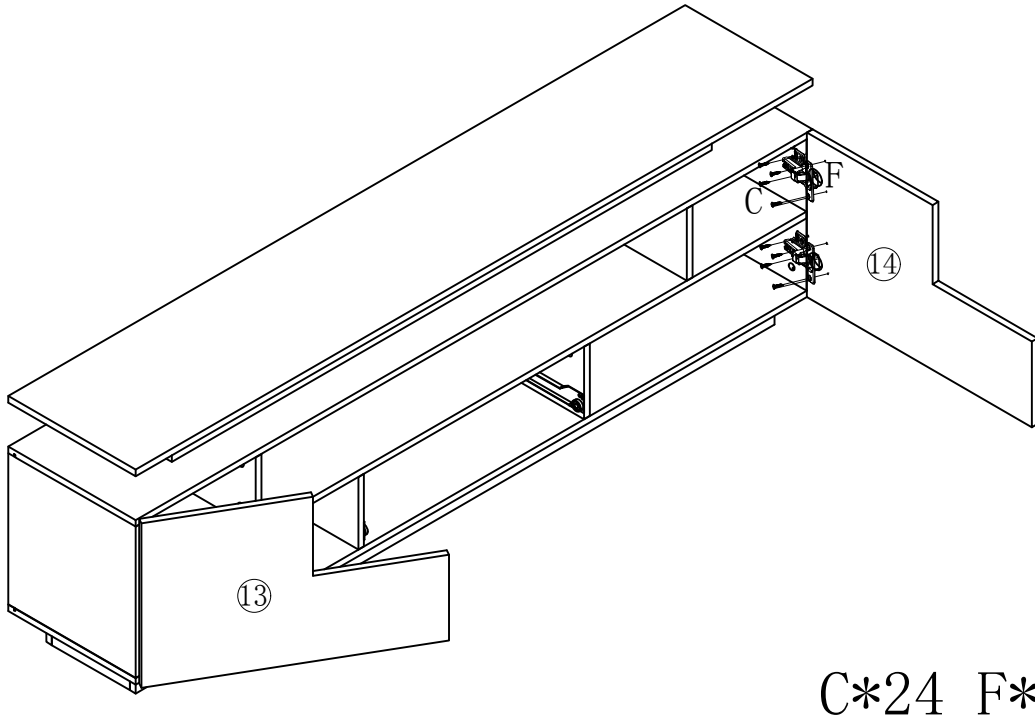
6



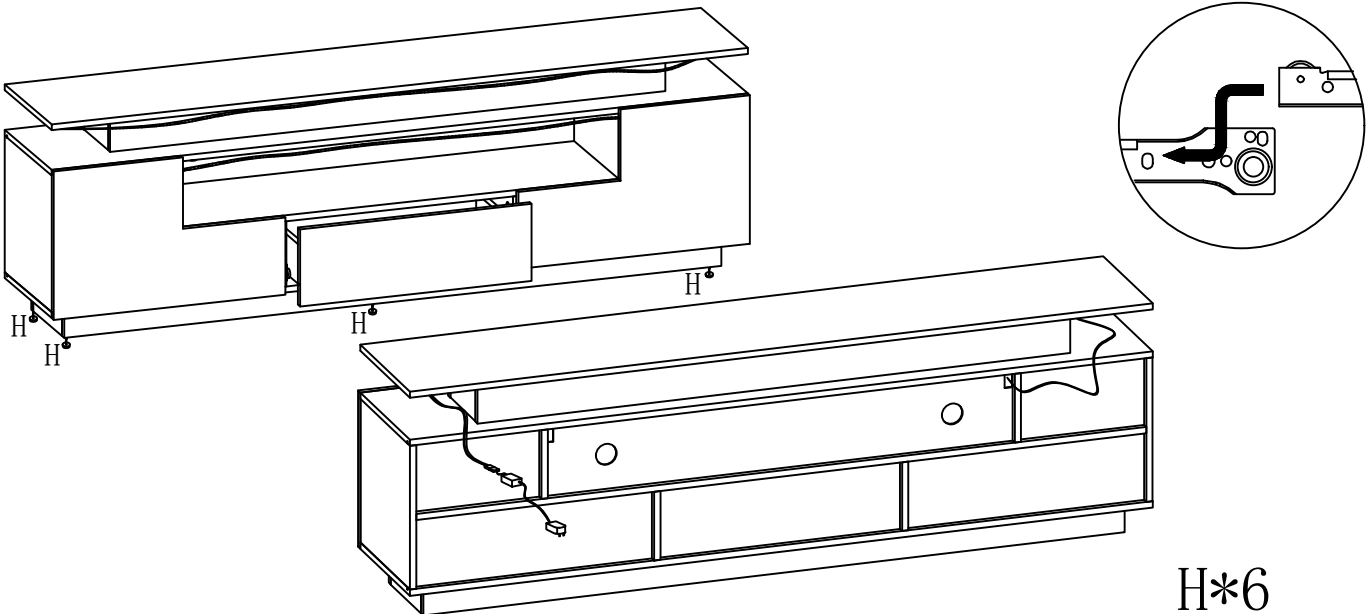
7



8



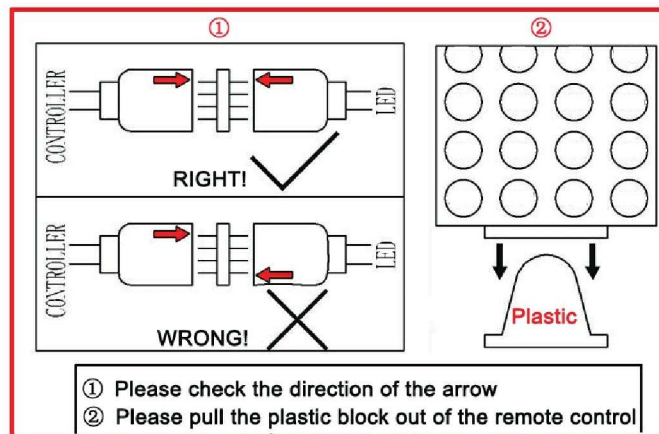
9



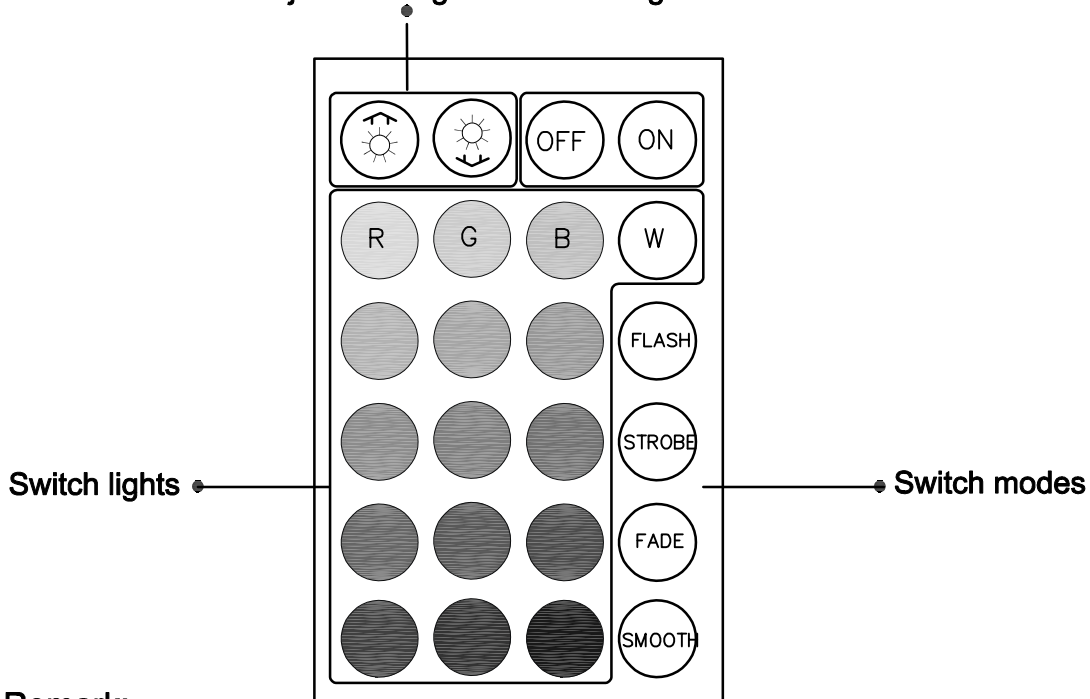
## LED light

If you can't let the lights work successfully, please check the following:

1. Please check the direction of the connect, try it in the opposite direction, according to the following picture.
2. Please check the remote control, it need you to tear down the plastic septum before use it.
3. Don't let the remote control too far from the receiver, make sure there is no obstruction between them.



Remark: These two buttons are invalid because the product cannot adjust the brightness of the light.



Remark:

The color of the lamp bead is the same as the button on the remote control, but there will be some changes after scattering through the glass.