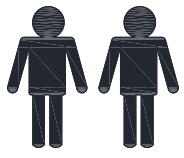
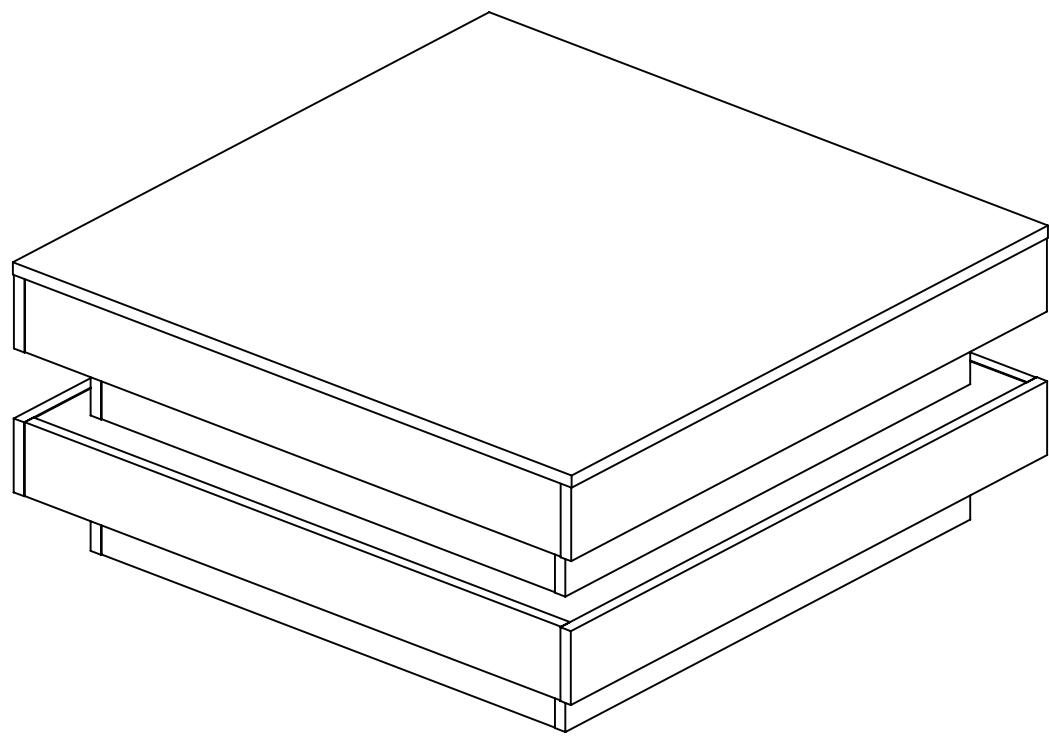
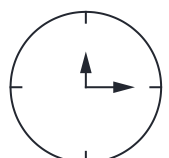


There is a protective film,
please tear it off.

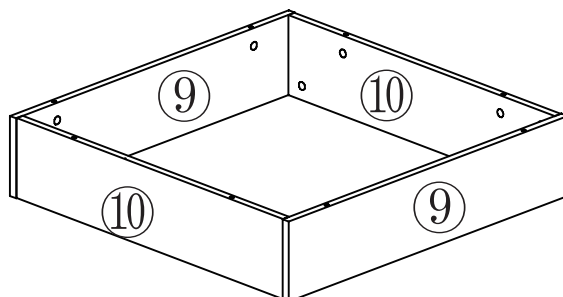
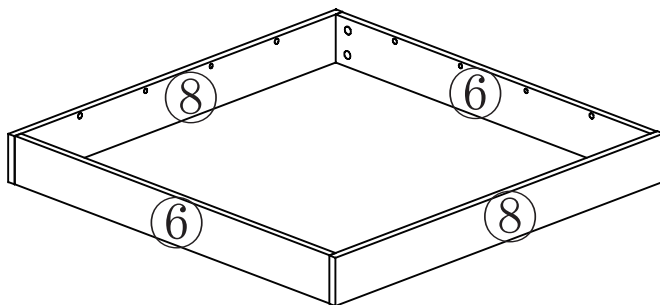
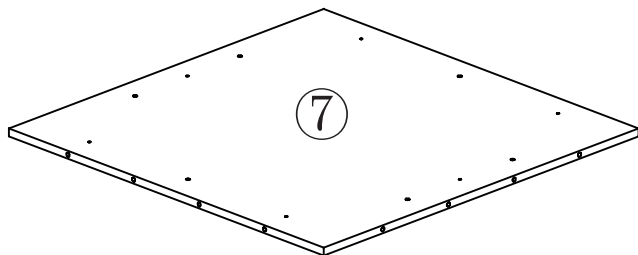
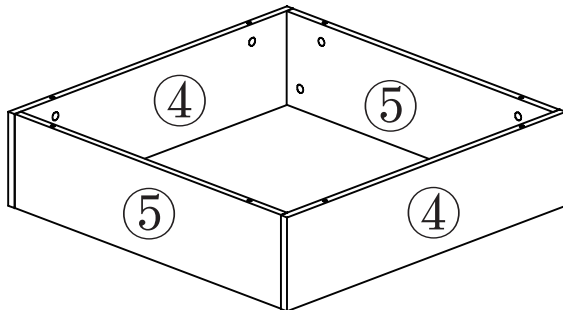
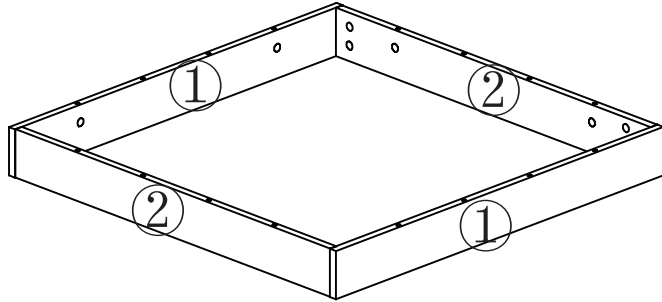
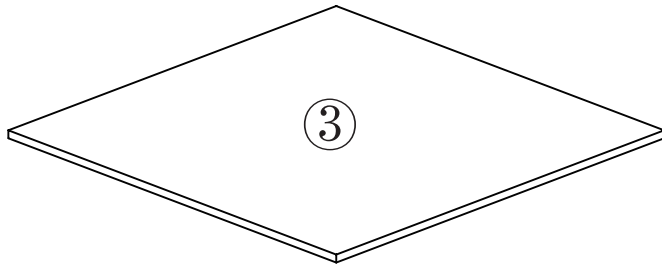




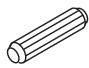
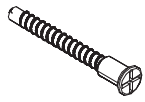


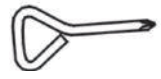
2 PERS



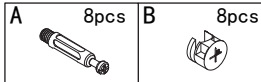
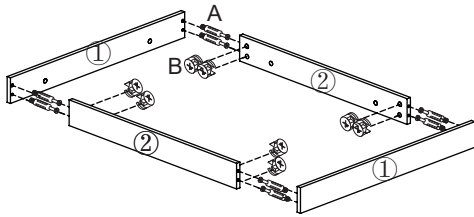
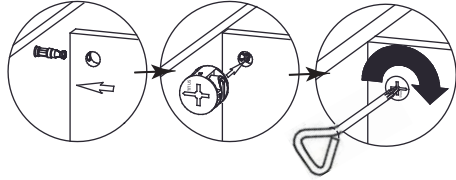
60 MIN

PARTS LIST

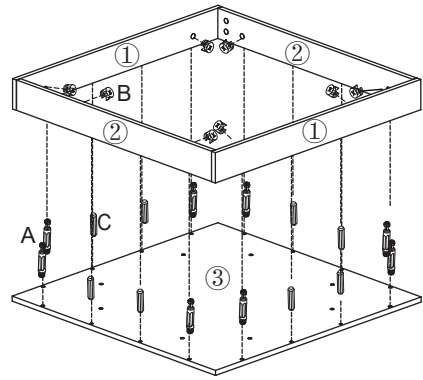


A	 60+2pcs
B	 60+2pcs
C	 M8*30mm 28+2pcs
D	 M5*40mm 8+2pcs
E	 4+2pcs
F	 LED 1set
G	 1pcs

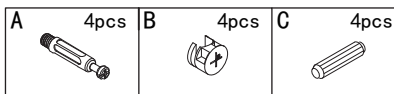
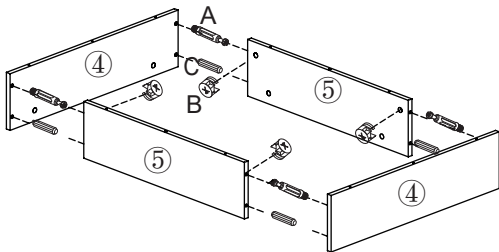
Step 1



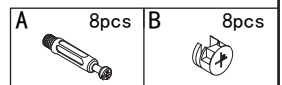
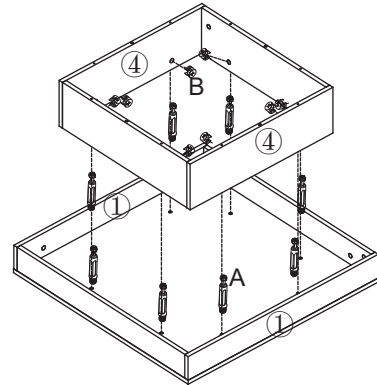
Step 2



Step 3

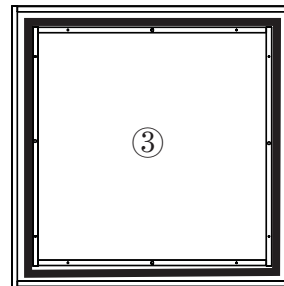
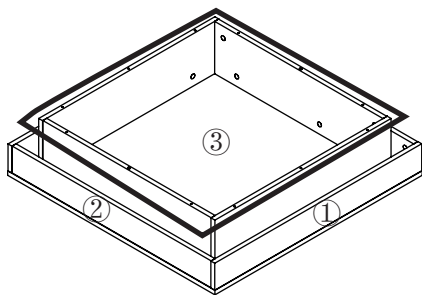


Step 4



Step 5

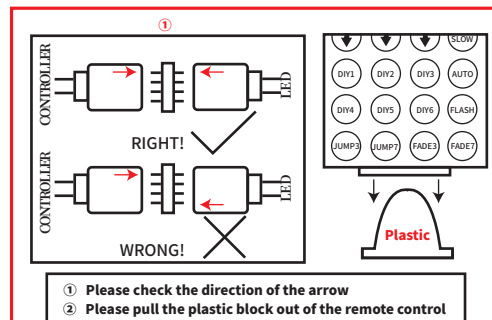
Paste the LED light between plate ③ and ①.②



LED Light

If you can't let the lights work successfully, please check the following:

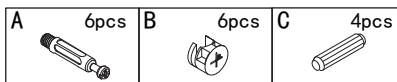
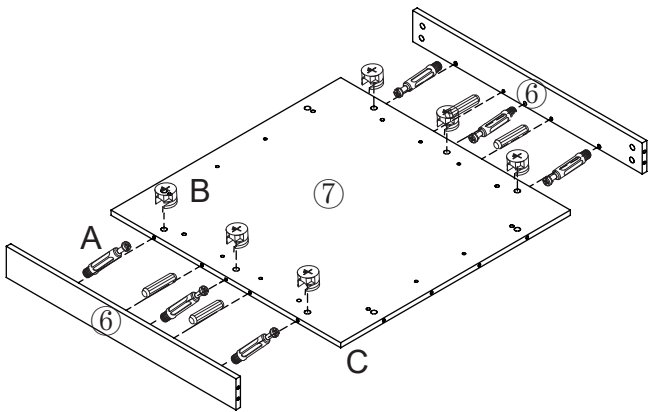
1. Please check the direction of the connect, try it in the opposite direction, according to the following picture.
2. Please check the remote control. it need you to tear down the plastic septum before use it.
3. Don't let the remote control too far from the receiver, make sure there is no obstruction between them.



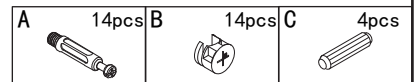
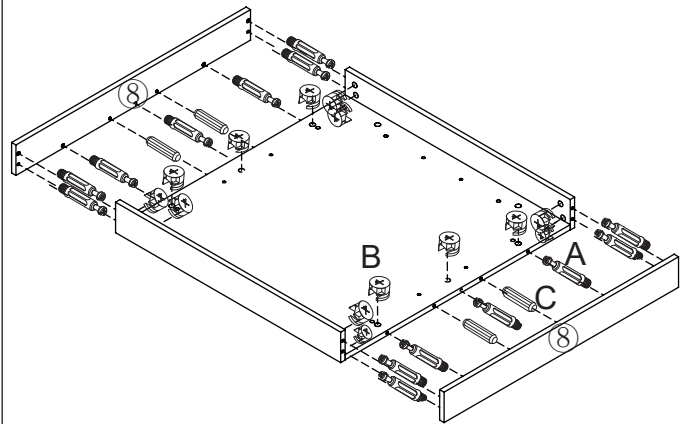
- ① Please check the direction of the arrow
- ② Please pull the plastic block out of the remote control

INSTRUCTION MANUAL

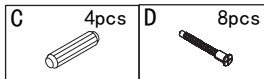
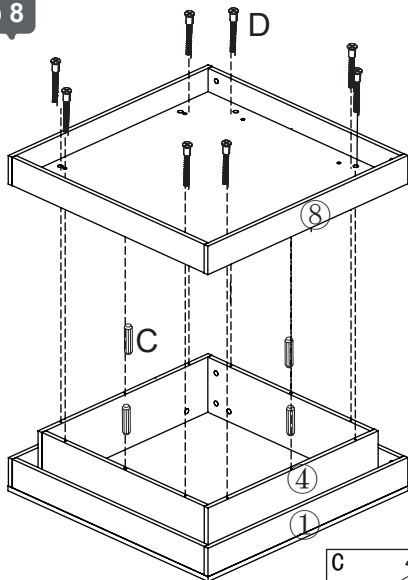
Step 6



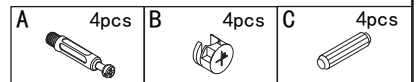
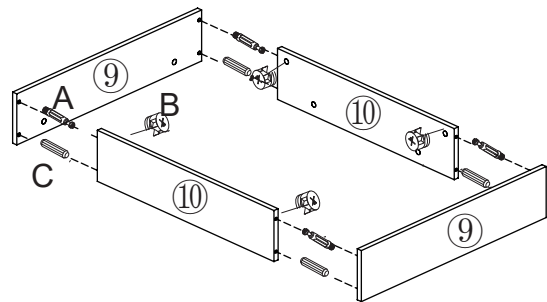
Step 7



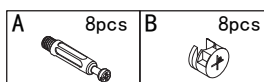
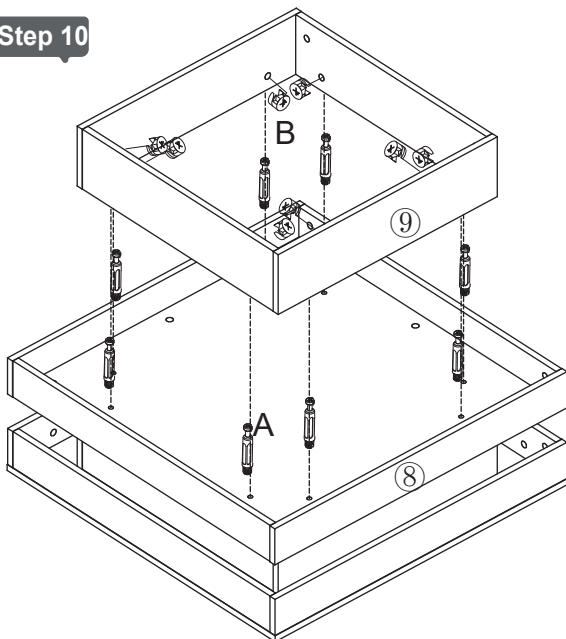
Step 8



Step 9



Step 10



Step 11

