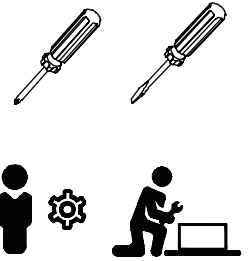
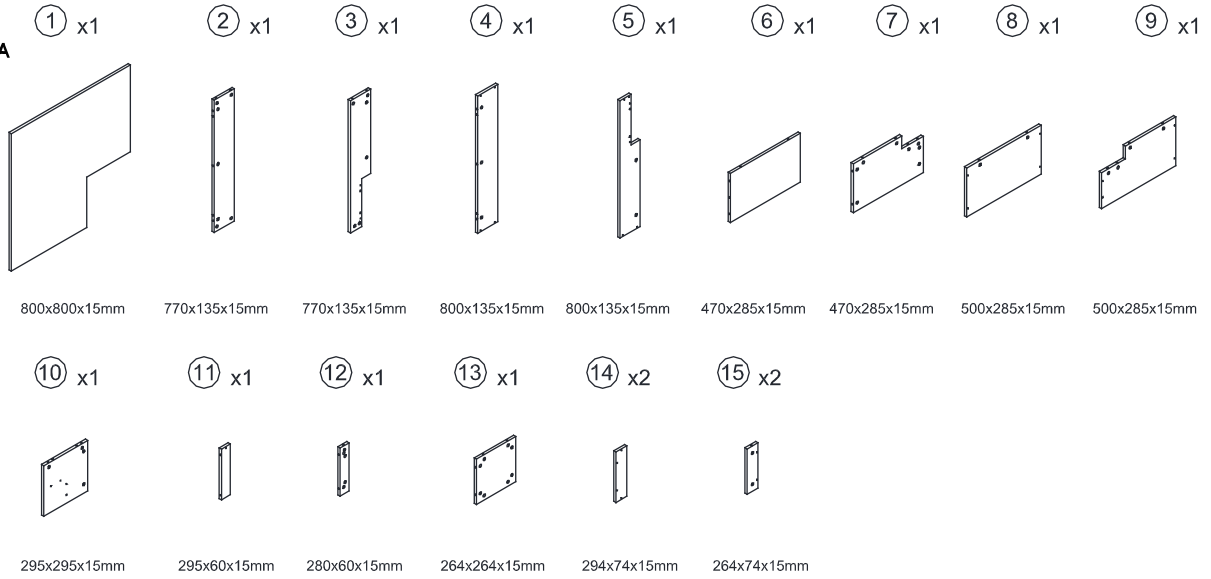


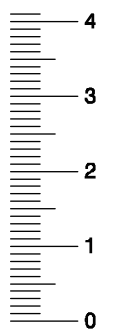
TOOLS:



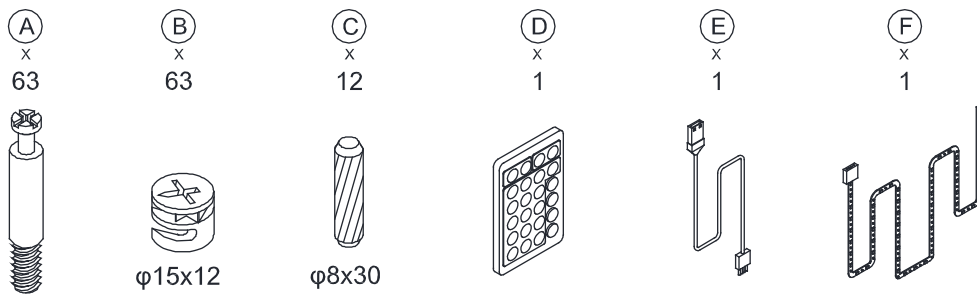
UNIT:MM
PACKAGE - A



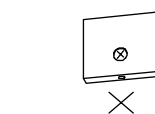
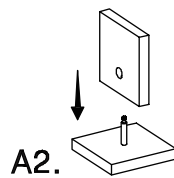
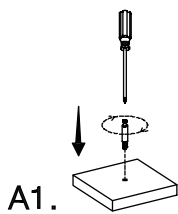
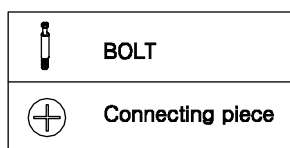
PACKAGE - B



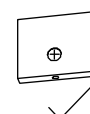
UNIT:MM



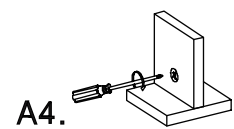
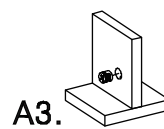
BOLT INSTALLATION AS BELOW:



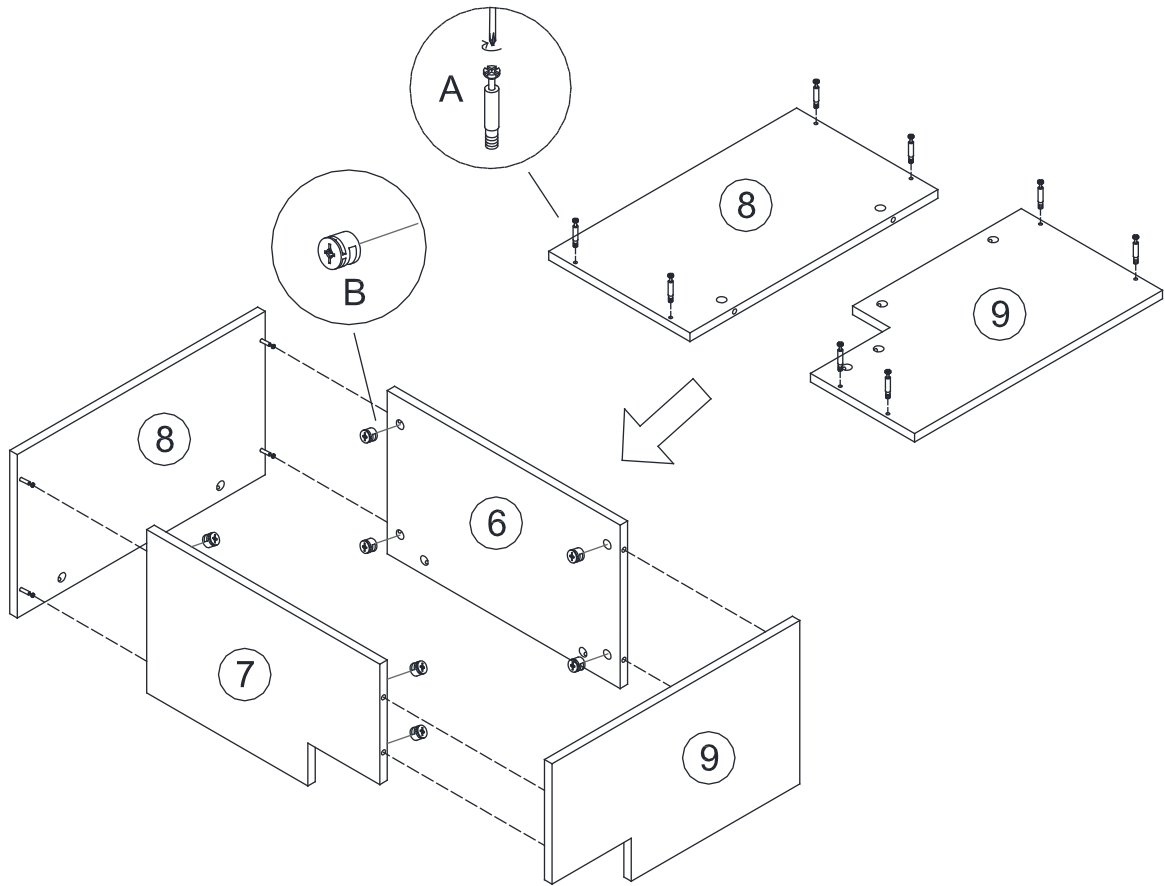
Ad. just connecting piece direction if condition as illustrated





Insert bolt when Connecting piece under Such condition

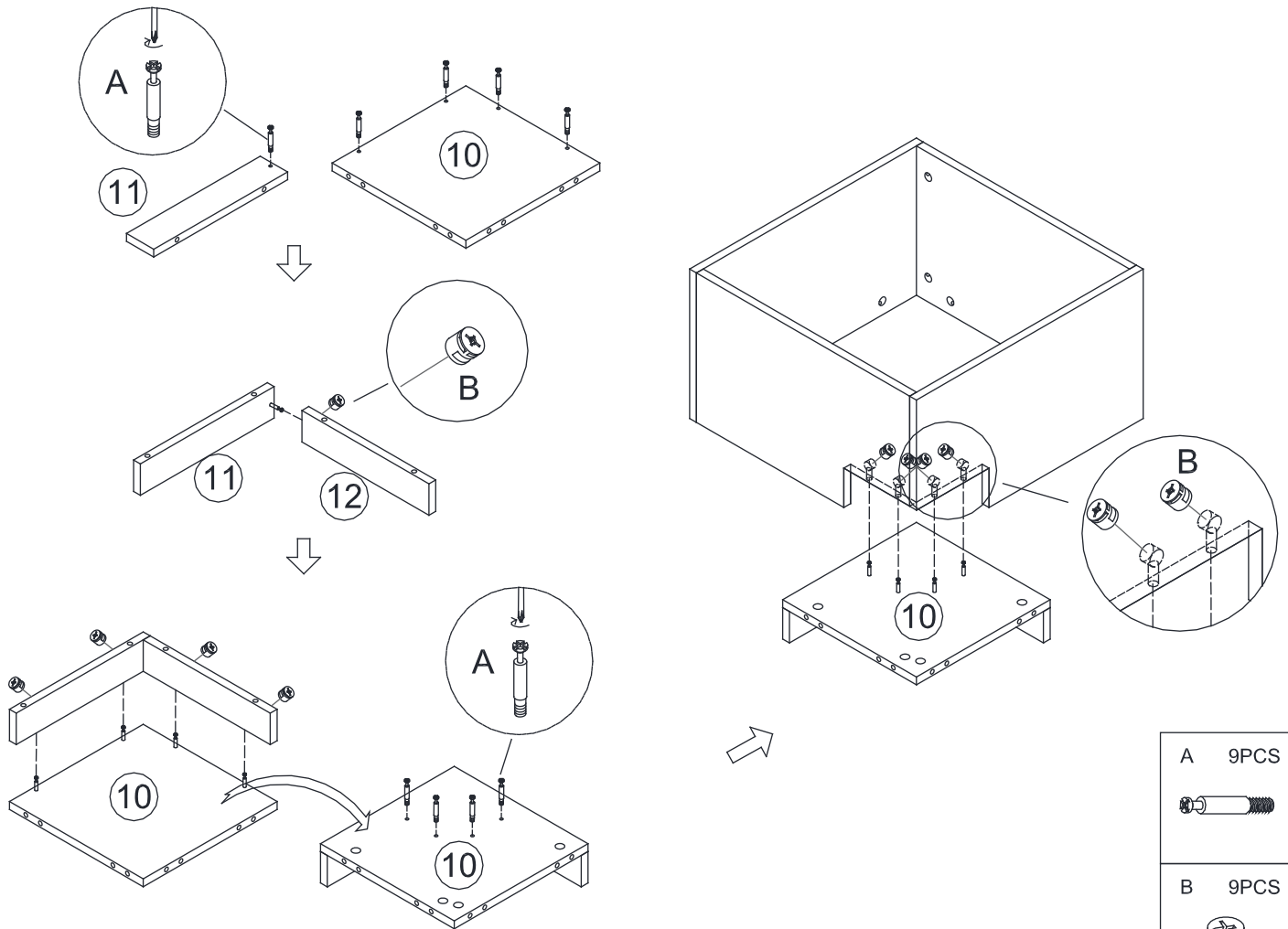




1.



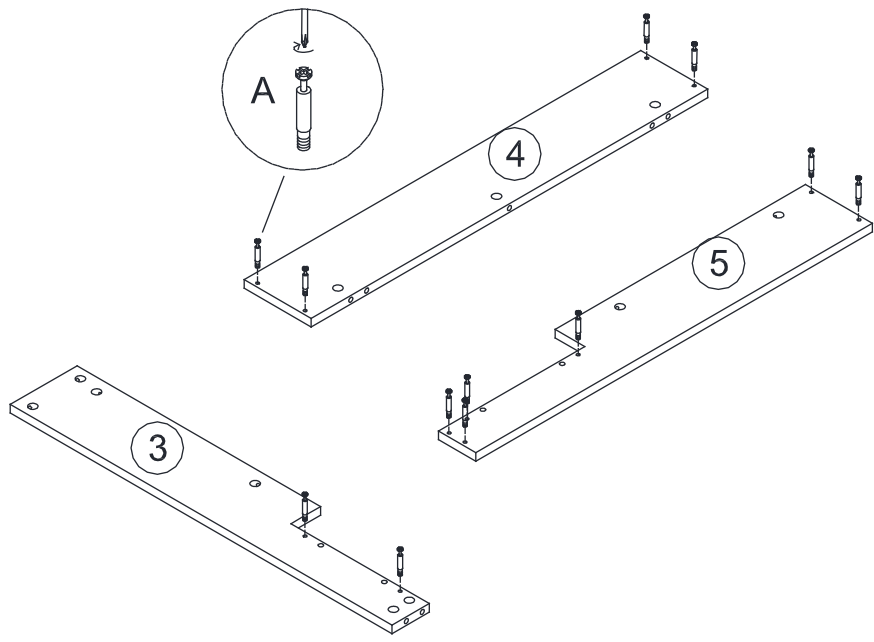
A	8PCS
	
B	8PCS
	

2.




A	9PCS
	
B	9PCS
	

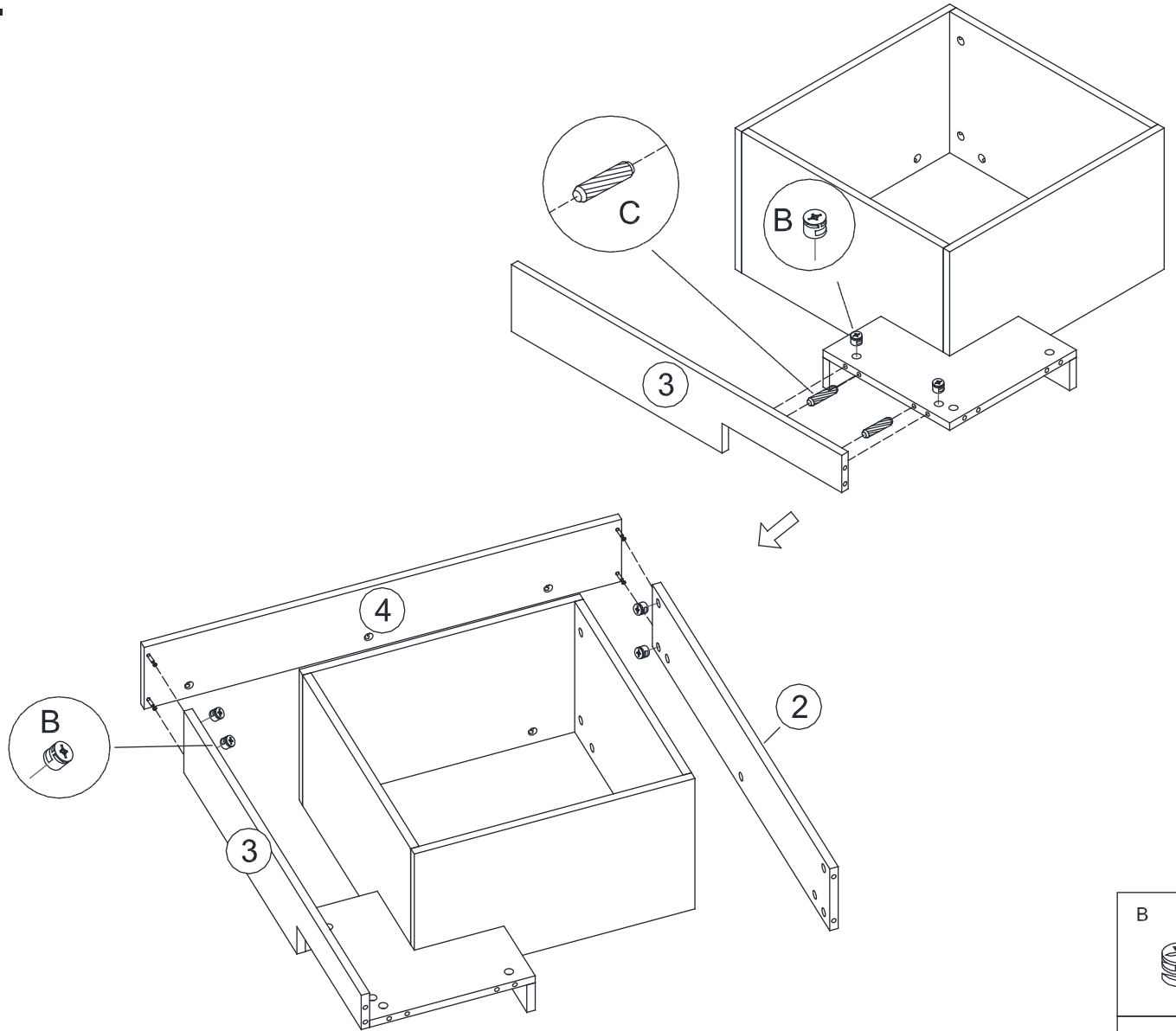
3.




A 12PCS




4.



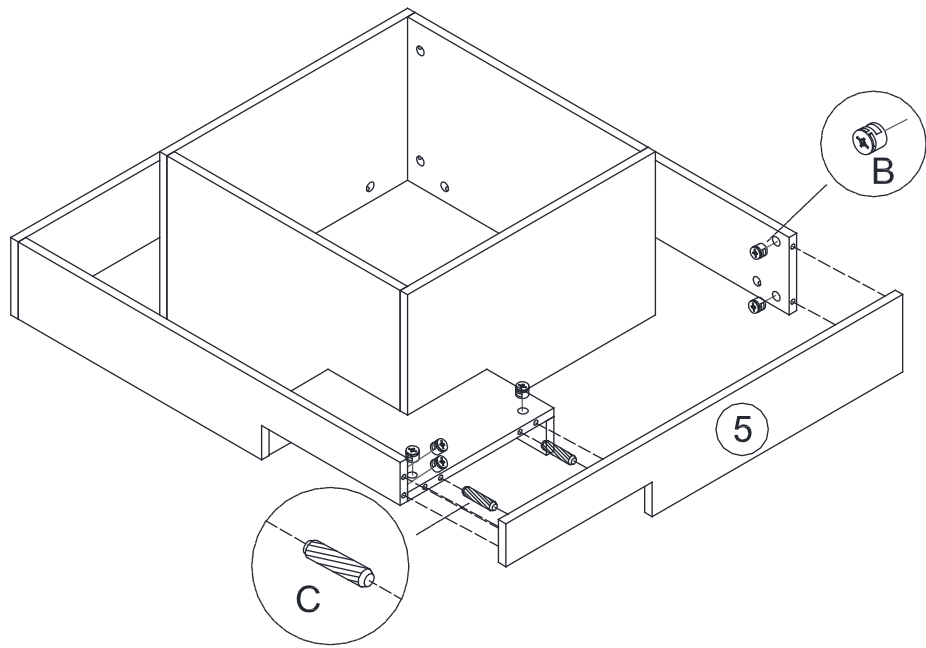
B 6PCS



C 2PCS



5.



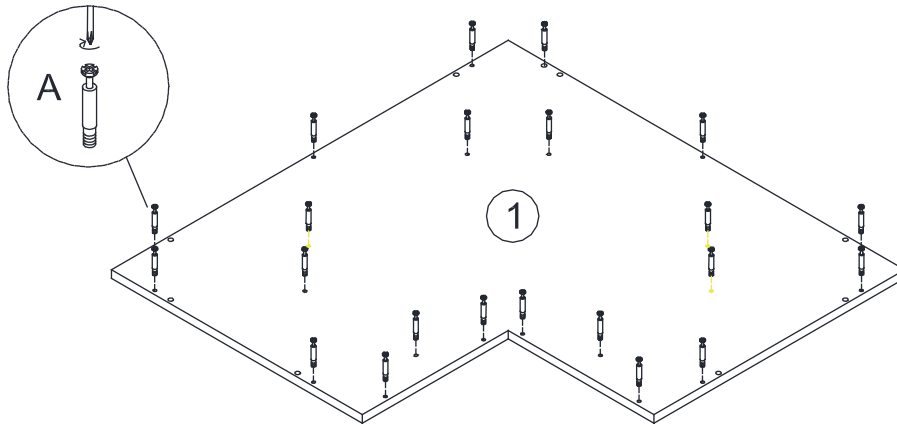
B 6PCS



C 2PCS



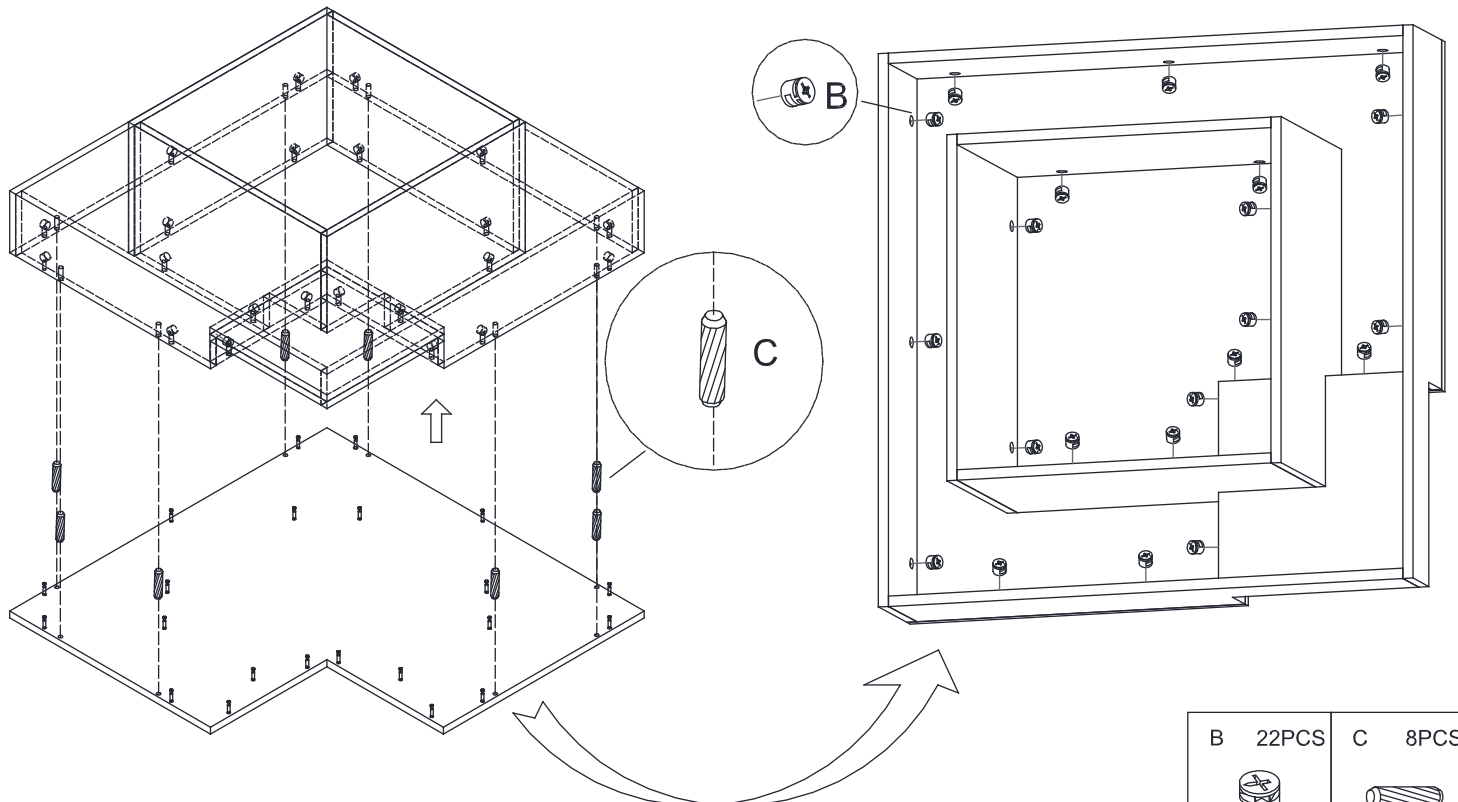
6.



A 22PCS



7.



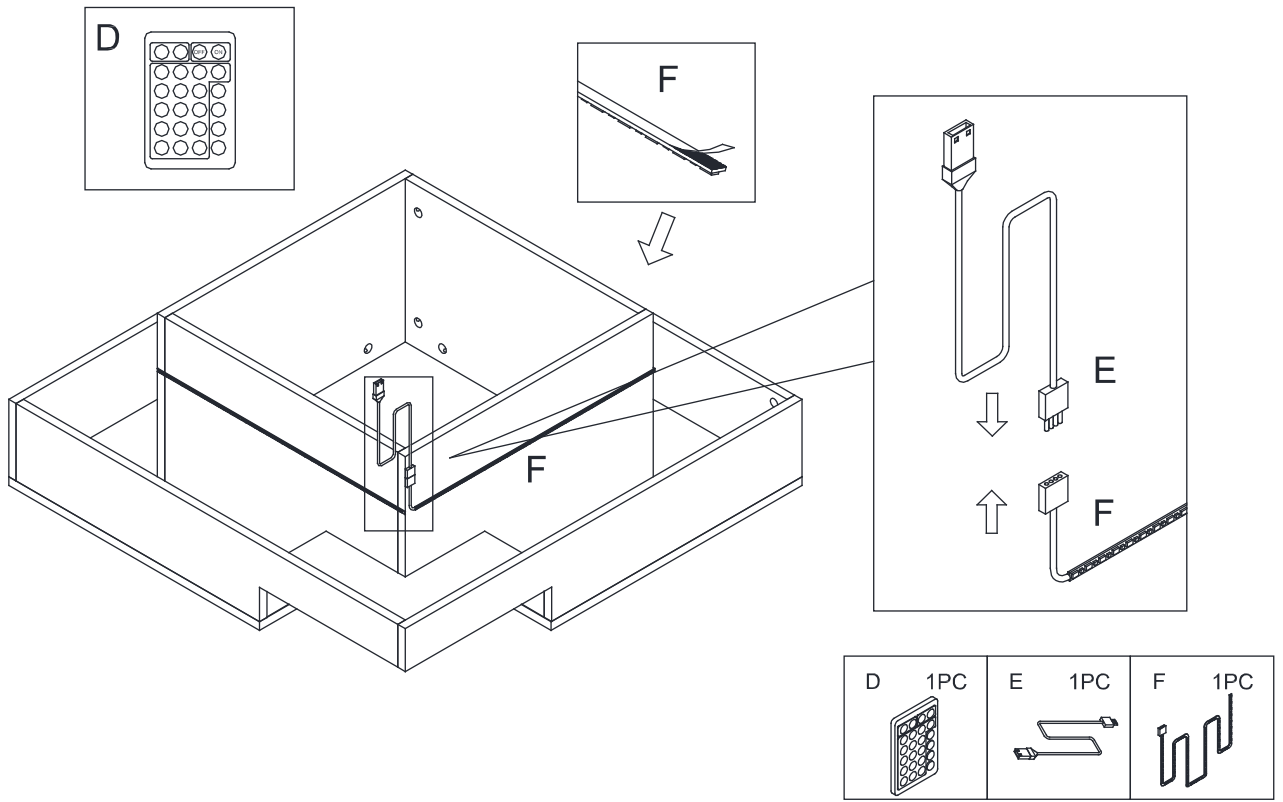
B 22PCS



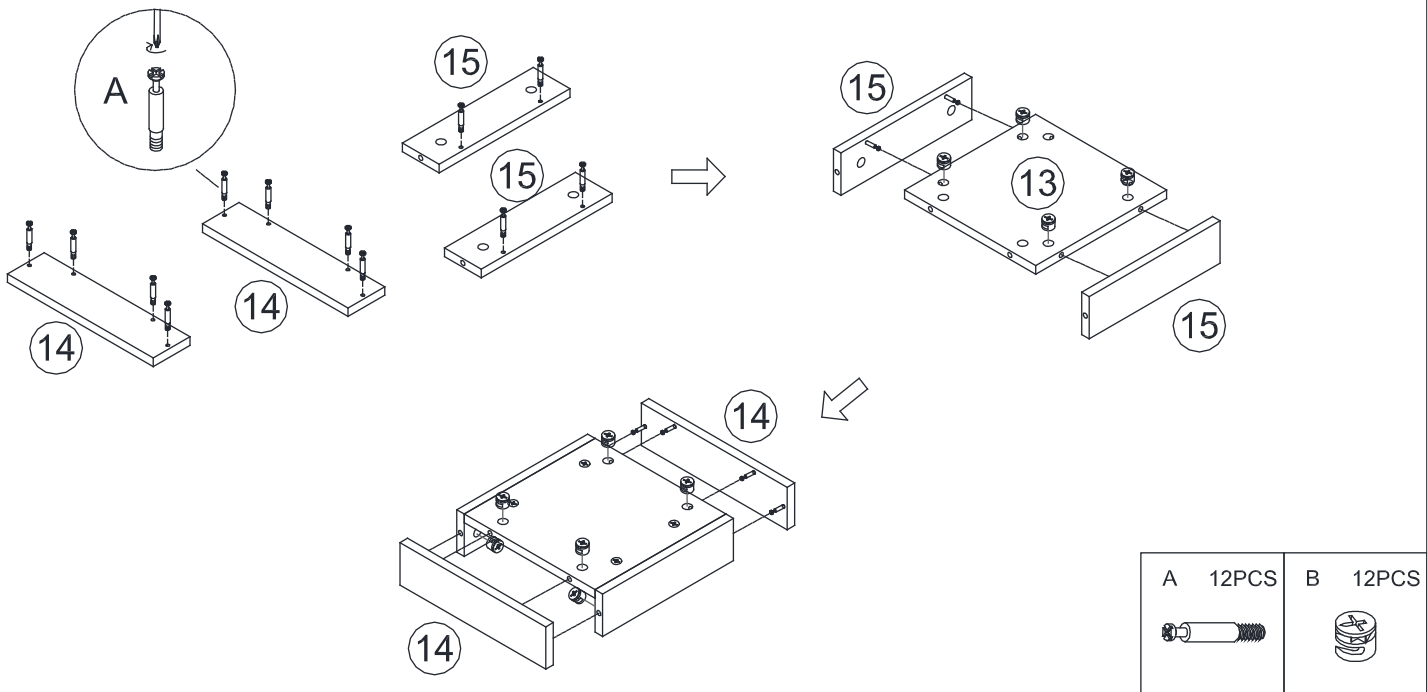
C 8PCS



8.



9.



10.

