

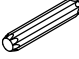

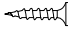
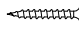

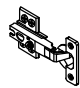
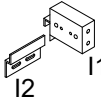
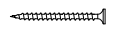



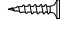
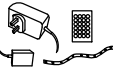
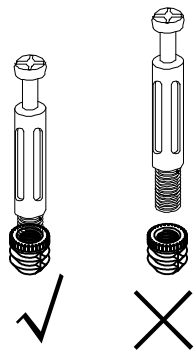


<p>A</p>  <p>24PCS</p>	<p>B</p>  <p>24PCS</p>	<p>C</p>  <p>16PCS</p>
<p>D</p>  <p>14PCS</p>	<p>E</p>  <p>36PCS</p>	<p>F</p>  <p>8PCS</p>
<p>G</p>  <p>12PCS</p>	<p>H</p>  <p>6PCS</p>	<p>I</p>  <p>4PCS</p>
<p>J</p>  <p>14PCS</p>	<p>K</p>  <p>14PCS</p>	<p>L</p>  <p>6PCS</p>
<p>M</p>  <p>12PCS</p>	<p>N</p>  <p>12PCS</p>	<p>LED</p>  <p>2PCS</p>

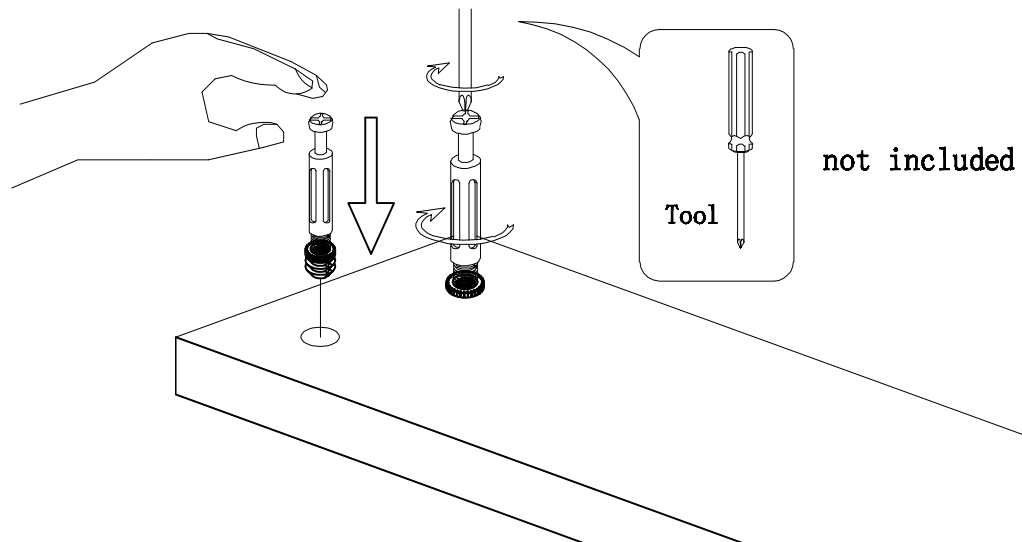
"A" Hardware installation example

I

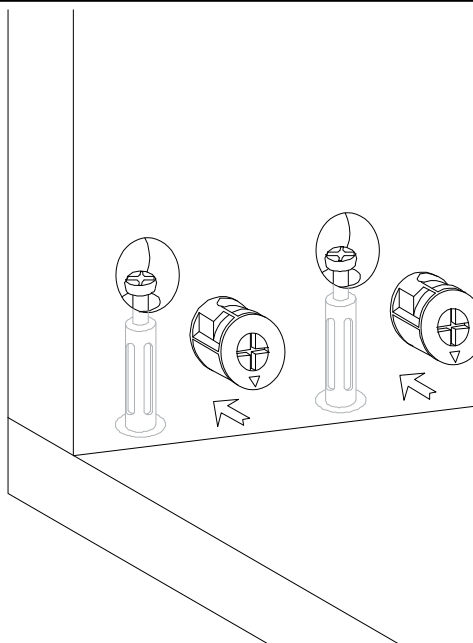


This part cannot be separated,
please install in strict
accordance with the assembly
requirements

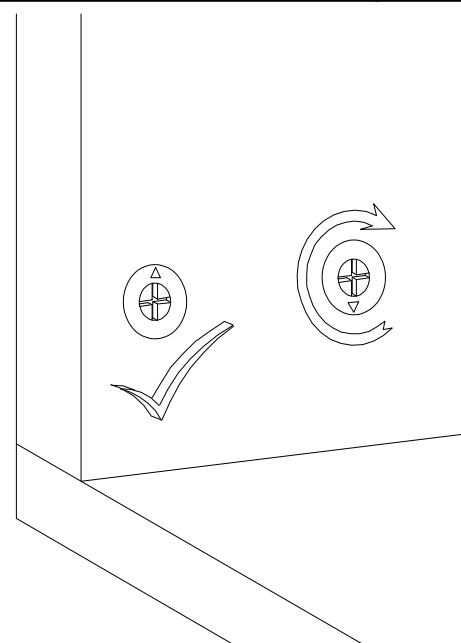
II

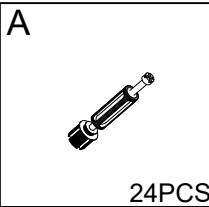
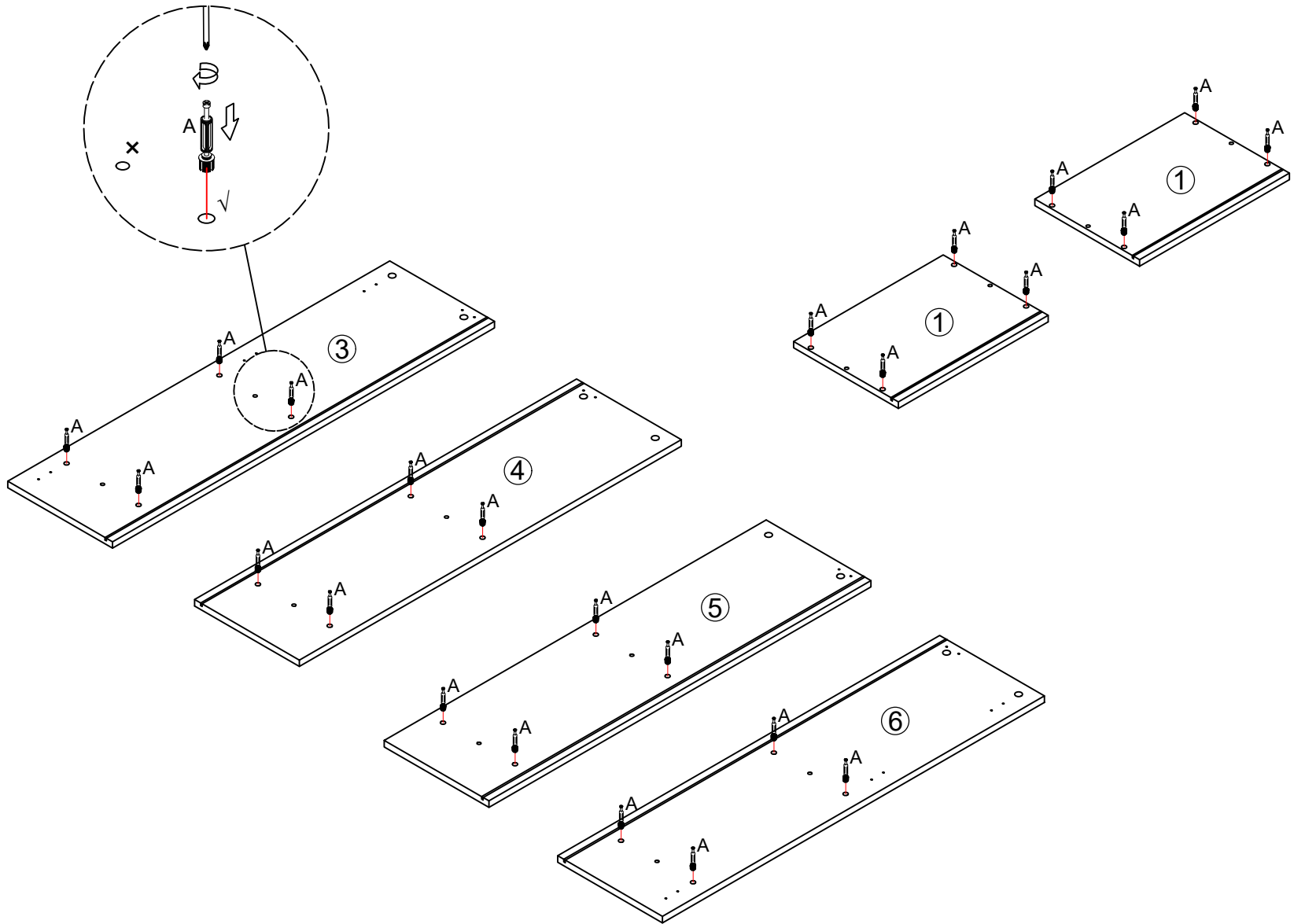


III



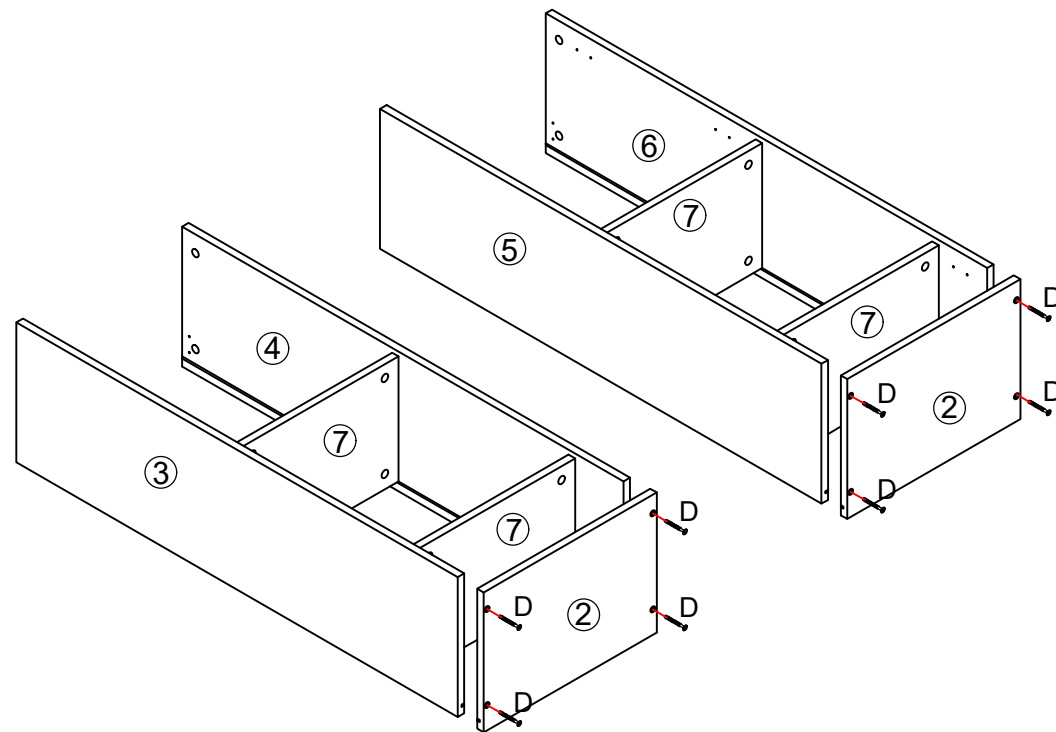
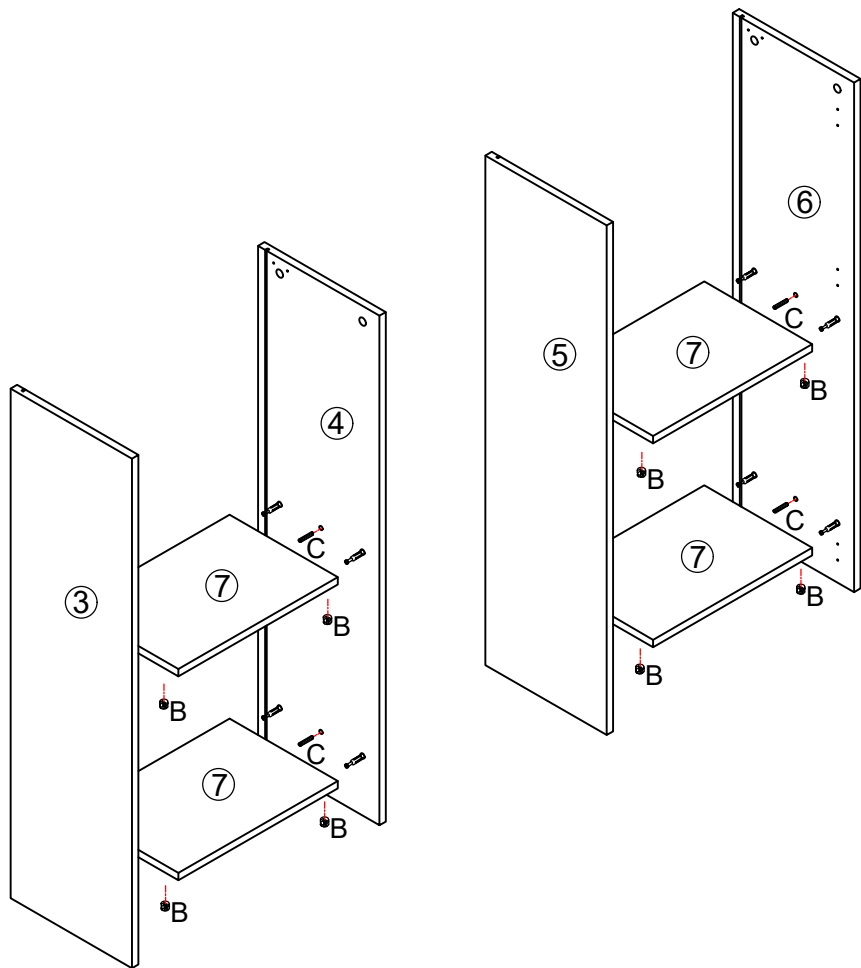
IV


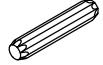


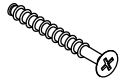


2

P.4

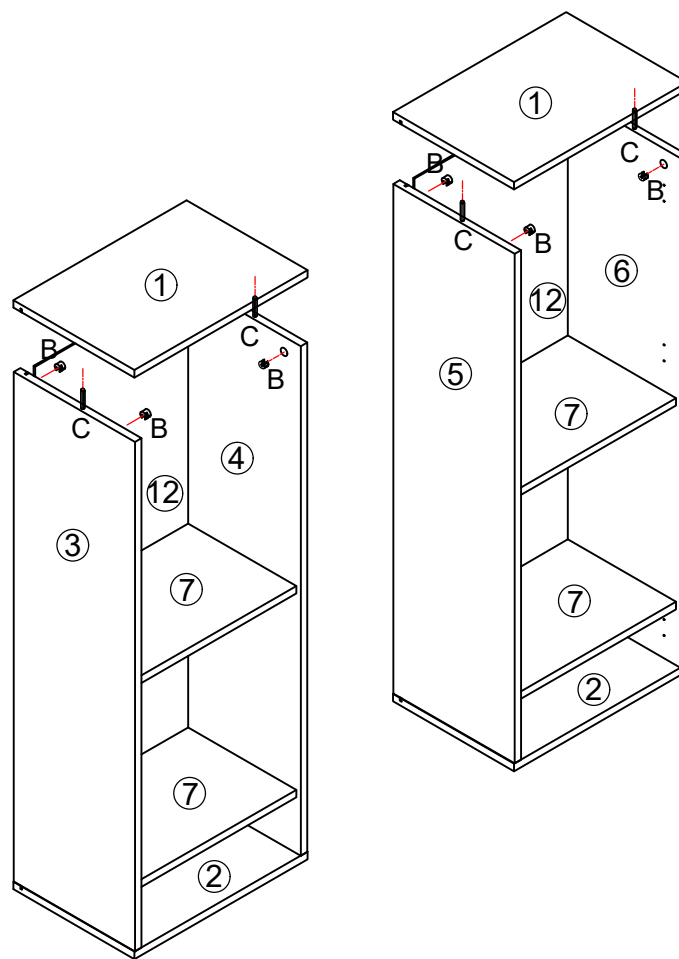
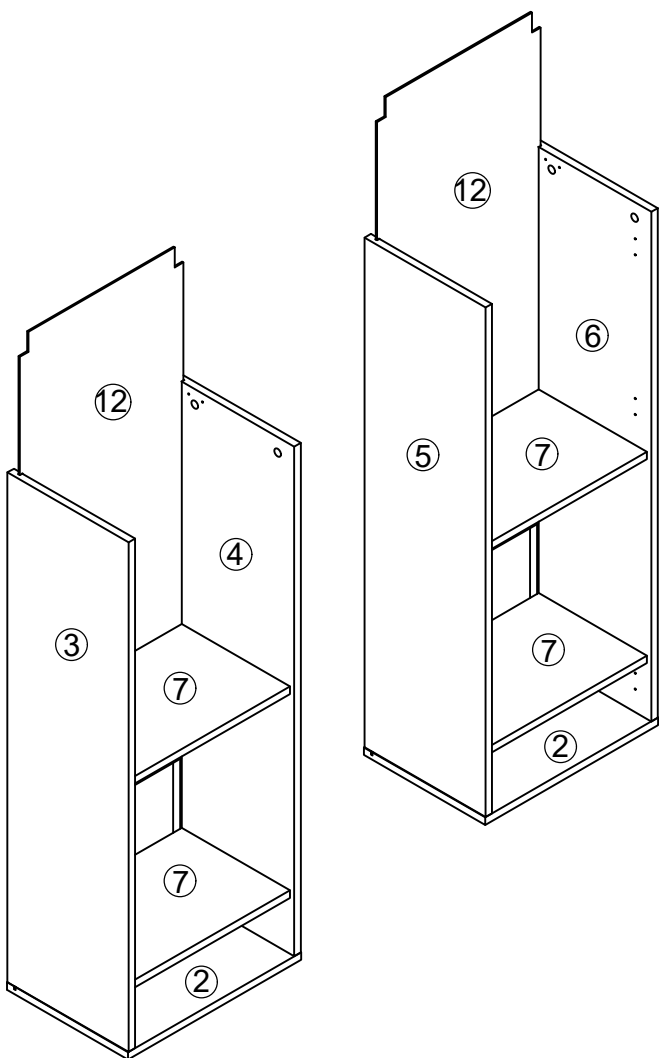



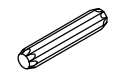
B	C
	
16PCS	8PCS

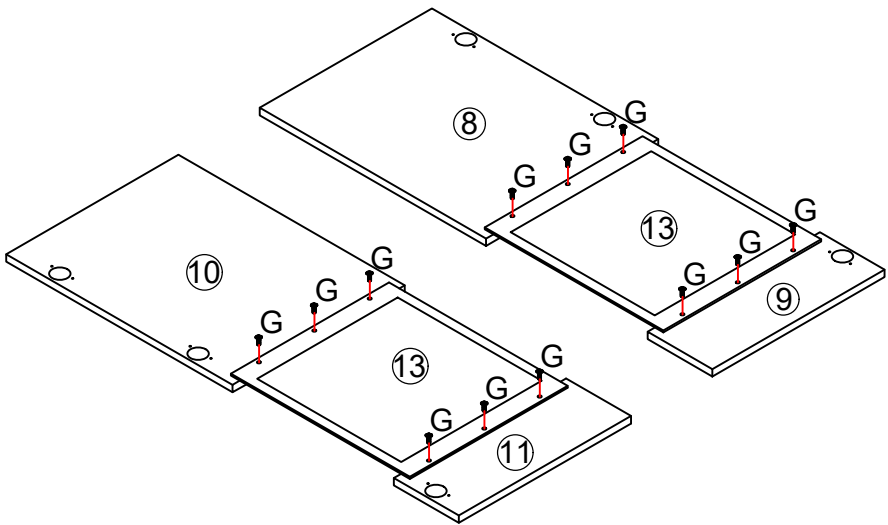
D

8PCS


3

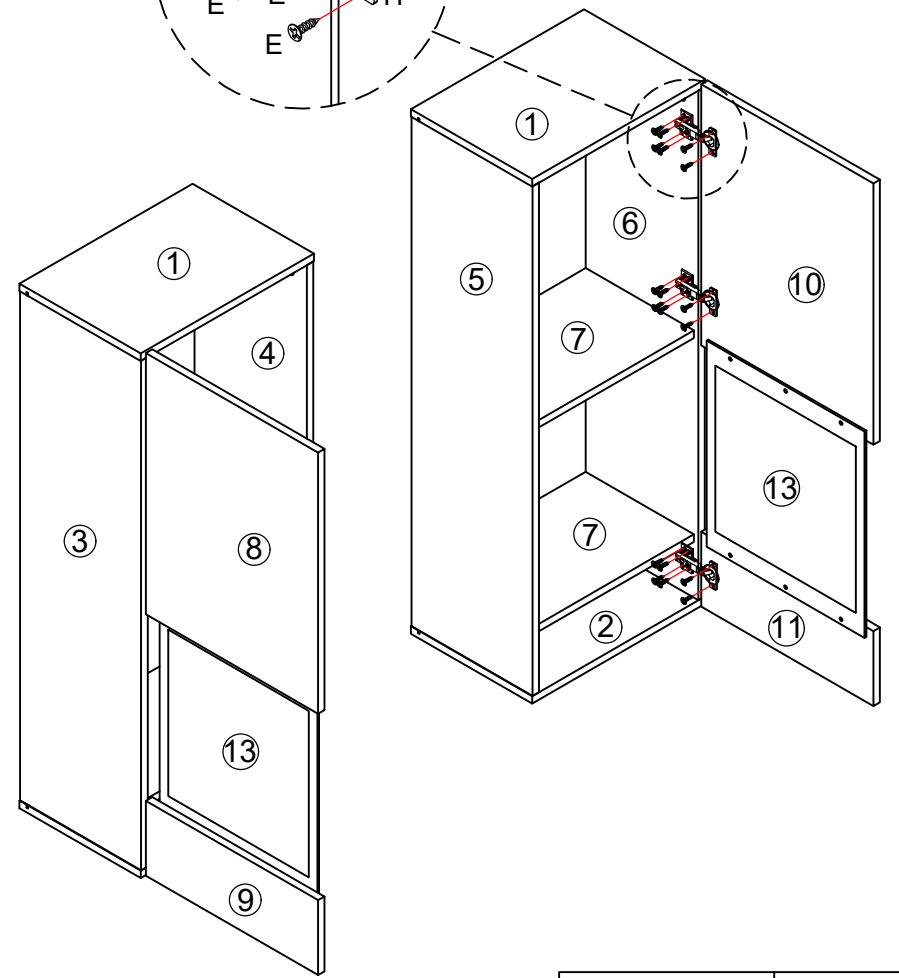
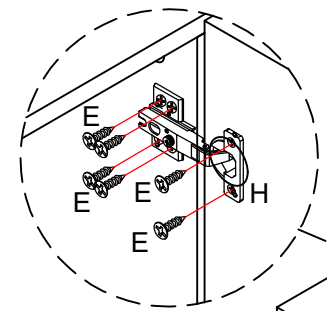
P.5

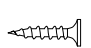
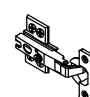


B	C
	
8PCS	4PCS



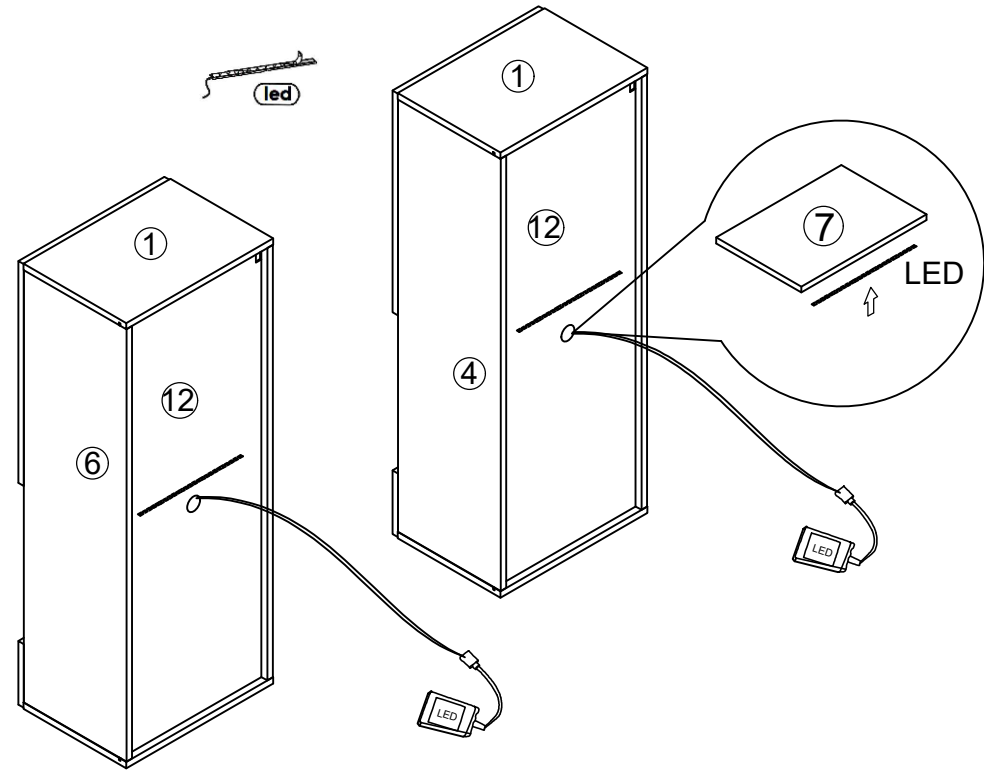
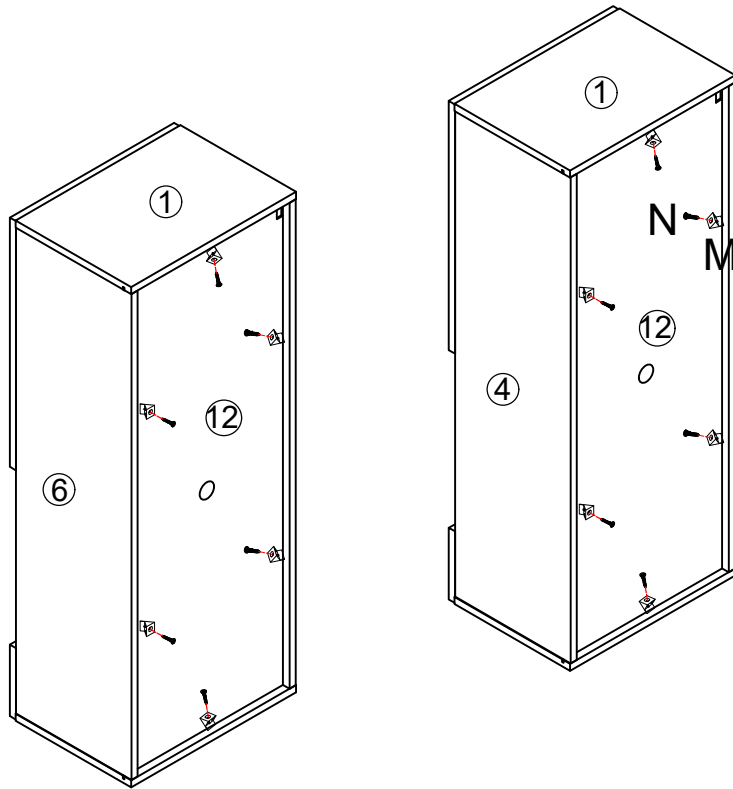
G	6*10
	
12PCS	


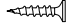


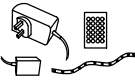
E	3.5*14	H
		
36PCS		6PCS

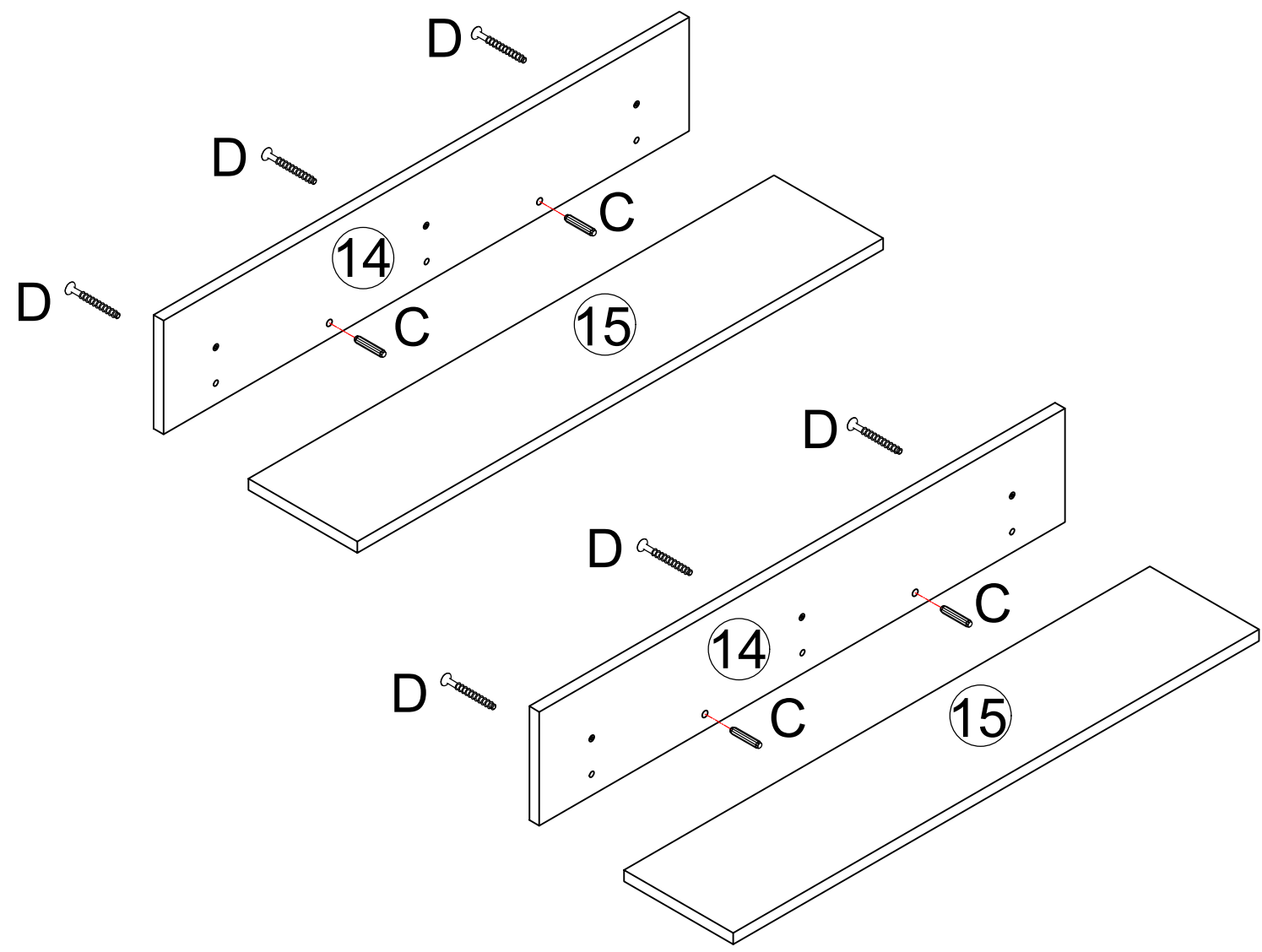
5

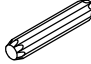

Please stick led belt under part 7



M	N	3*12
		
12PCS	12PCS	

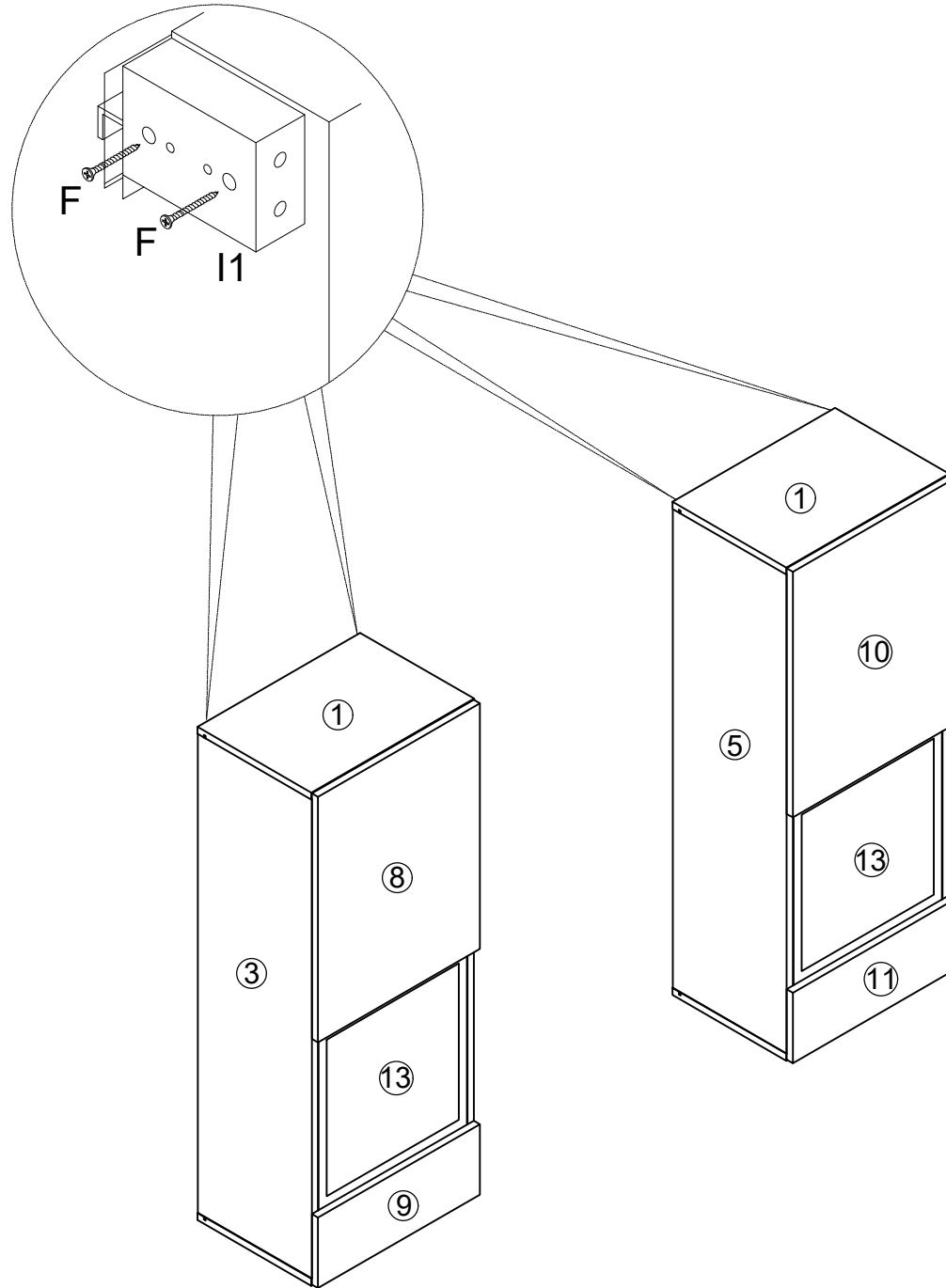
LED

2PCS

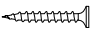
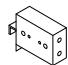


C	8*40	D	7*50
			
4PCS		6PCS	

7

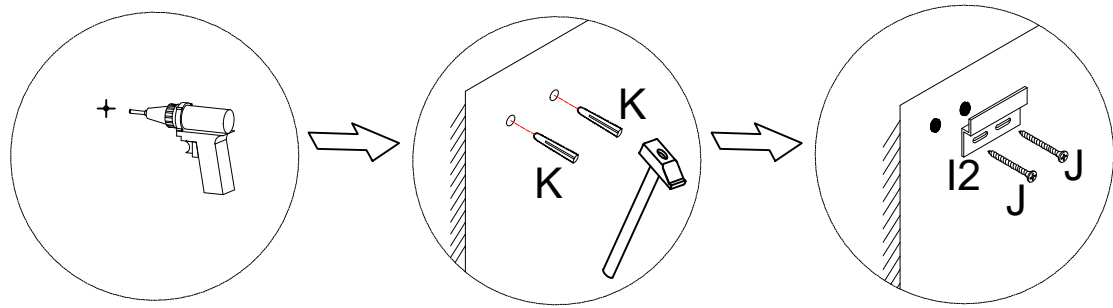
P.9



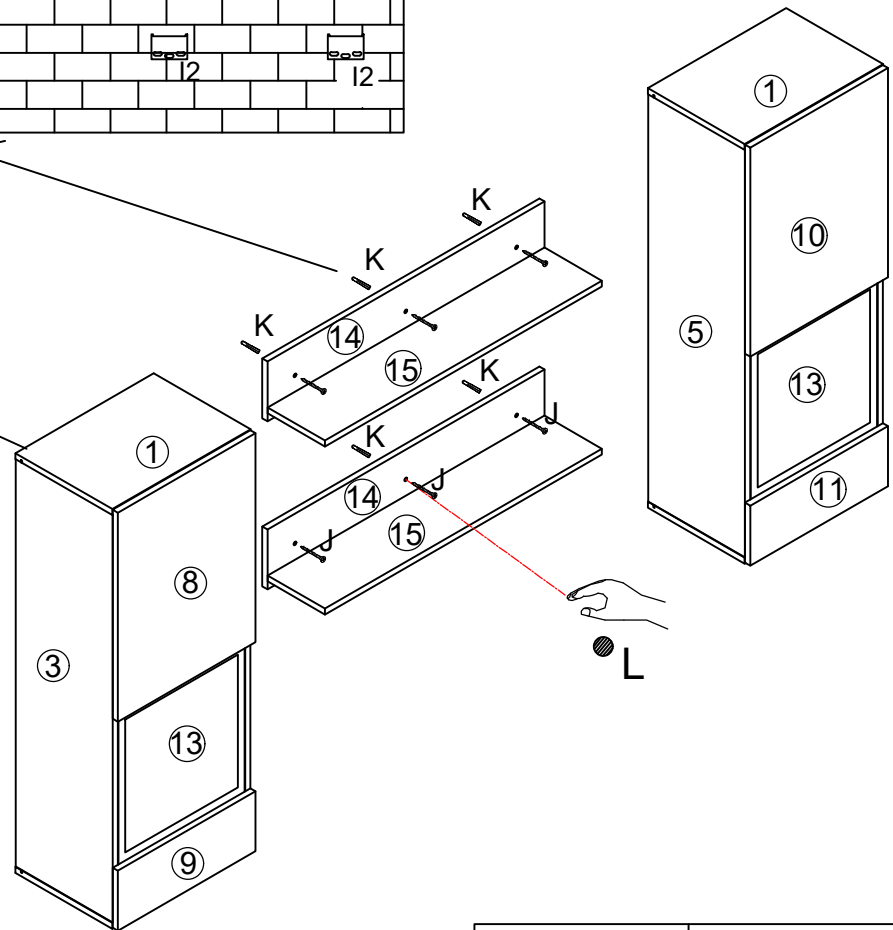
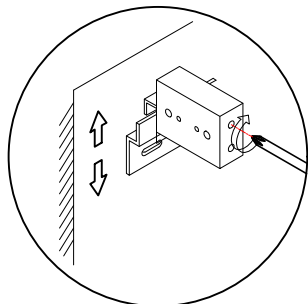
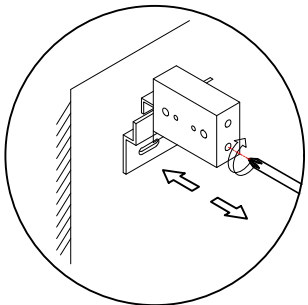
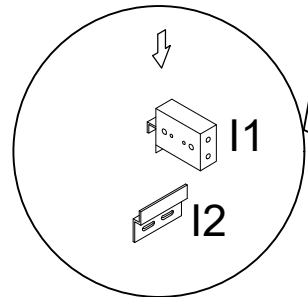
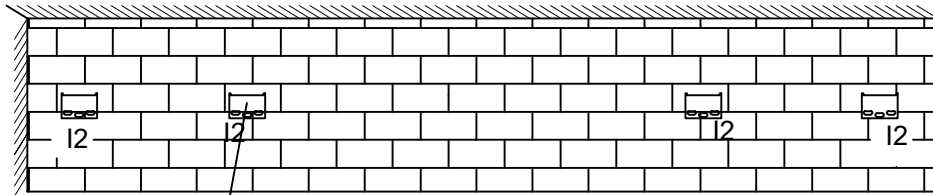
F	3.5*25	I1
		
8PCS		4PCS

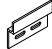
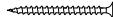


8

P.10



WALL



I2	J	4*50	K	8*40	L
					
4PCS	14PCS		14PCS		6PCS

LED Light

If you can't let the lights work successfully, please check the following:

1. Please check the direction of the connect, try it in the opposite direction, according to the following picture.

2. Please check the remote control, it needs you to tear down the plastic septum before use it.

LED Light

3. Don't let the remote control too far from the receiver, make sure there is no obstruction between them.

4. Please note that for transportation safety, the remote control does not contain batteries; the battery model is: CR2025

