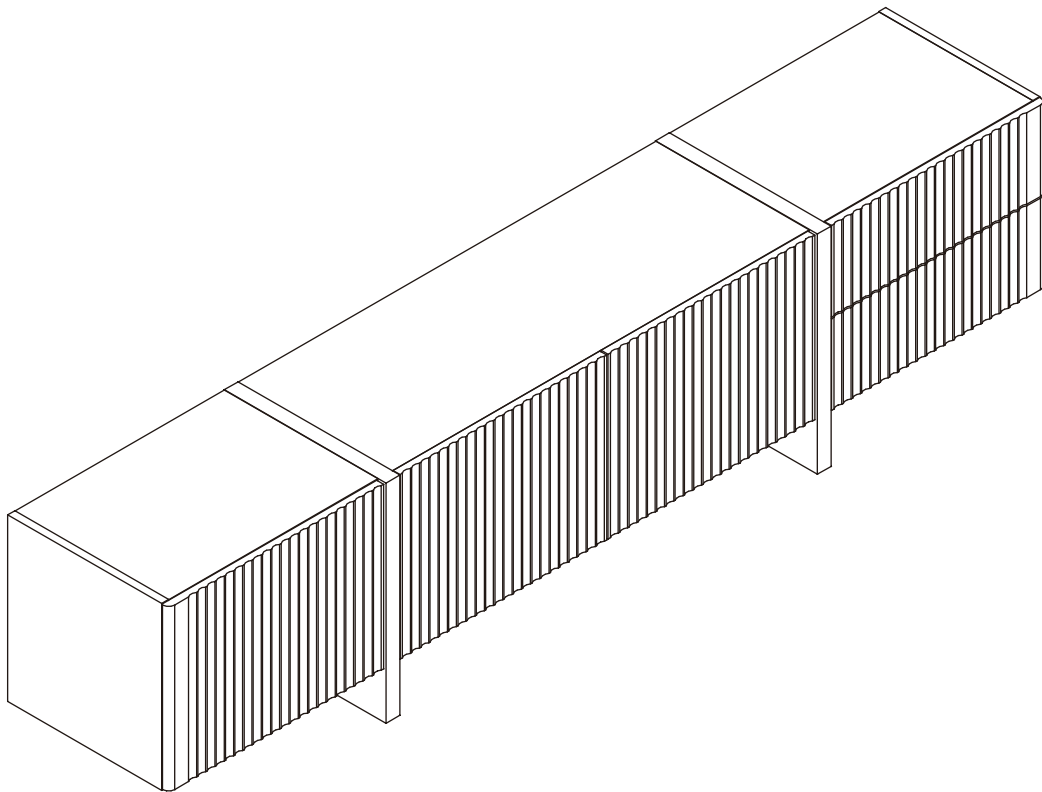


TV Cabinet

Assembly Instructions - Please keep for future reference



Dimensions

Width-74.80inch

Depth-13.77inch

Height-17.71inch

Important – Please read these instructions fully before starting assembly



Safety and Care Advice

Important – Please read these instructions fully before starting assembly

- Check you have all the components and tools listed on the following pages.
- Remove all fittings from the plastic bags and separate them into their groups.
- Keep children and animals away from the work area, small parts could choke if swallowed.
- Make sure you have enough space to layout the parts before starting.

- During assembly do not stand or put weight on the product, this could cause damage.
- Assemble the item as close to its final position (in the same room) as possible.
- Assemble on a soft level surface to avoid damaging the unit or your floor.
- Parts of the assembly will be easier with 2 people.



- To reduce the likelihood of damaging your product please ensure that your power drill is set on a low torque setting.

Care and maintenance

- Only clean using a damp cloth and mild detergent, do not use bleach or abrasive cleaners.
- From time to time check that there are no loose screws on this unit.
- This product should not be discarded with household waste. Take to your local authority waste disposal centre.

Handy Hints

- Assemble all parts and bolts loosely during assembly, only once the product is complete should you fully tighten the bolts
- Regularly check and ensure That all bolts and fittings are tightend properly.

WARNING
In order to help prevent overturning –
please follow these instructions

To help prevent product toppling over please follow the below steps:-

- Use the anti tip stap or wall fixing method provided (if applicable)
- Do not allow children to climb or hang on the furniture
- Do not open more than one drawer at a time
- Do not place heavy items in the top drawers
- Do not place heavy items on top of the furniture, unless the furniture has been designed for this purpose

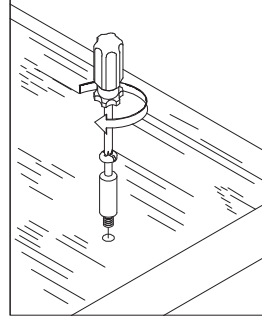
Using Camlocks

Step 1

Connect the male camlock as directed in the assembly instructions using a screwdriver.

1

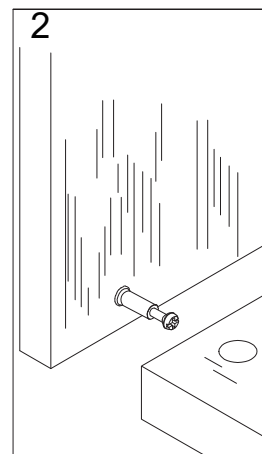
DO NOT OVER TIGHTEN.
NE PAS SERRER EXCESSIVEMENT.



Step 2

Push the male camlock into the entry hole.

2

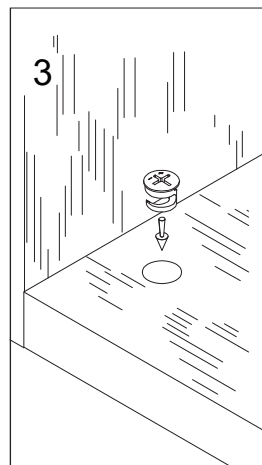


Step 3

Insert the female camlock as shown in the instruction.

Note: ensure that the arrow on the top of the camlock points towards the entry hole for the male camlock.

3



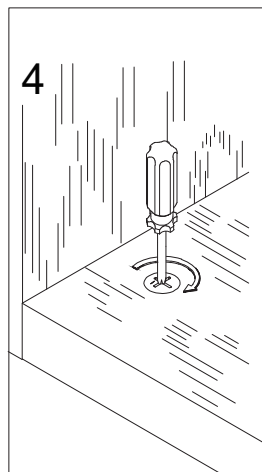
Step 4

Turn the female camlock clockwise with a screwdriver.

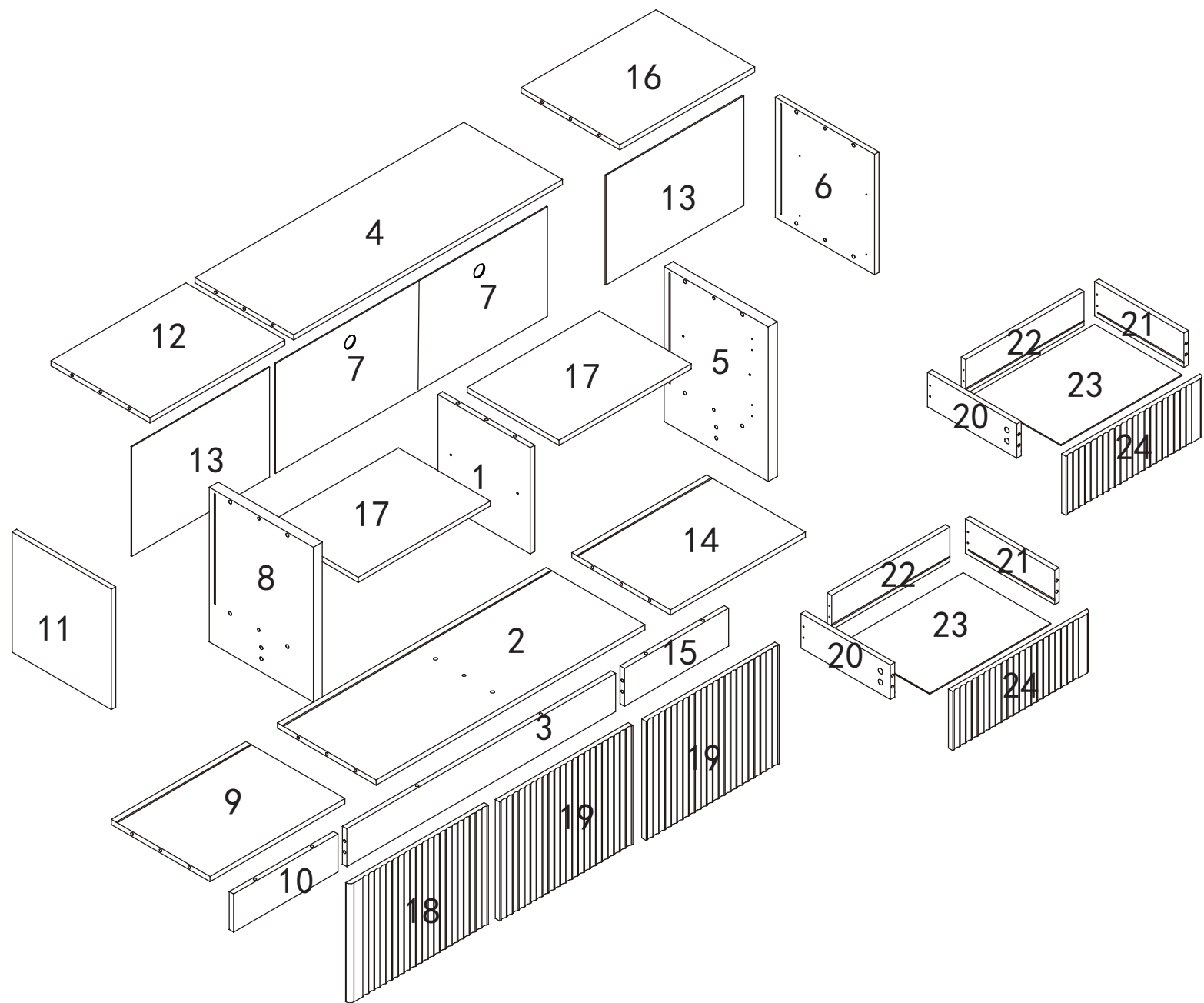
You should feel a click when the camlock is locked in place.

The joint is now secure.

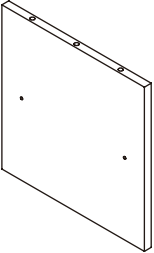
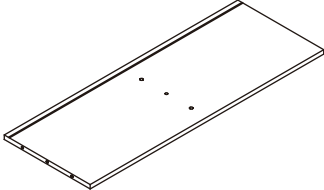
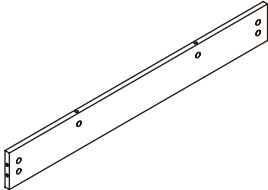
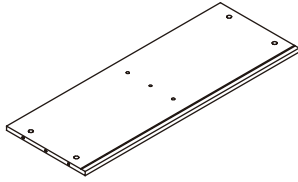
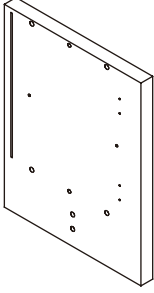
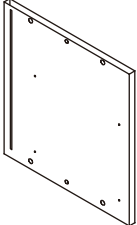
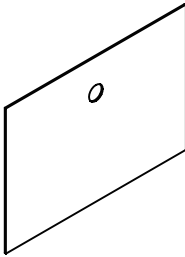
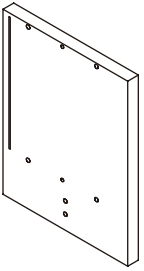
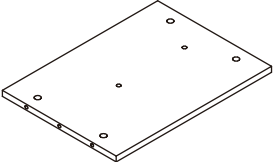
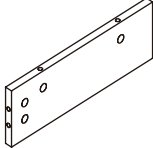
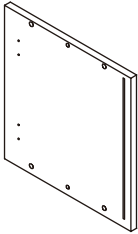
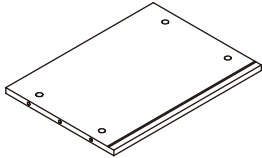
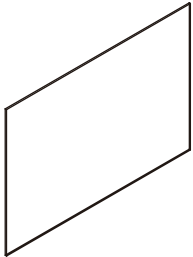
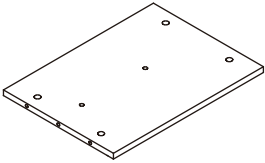
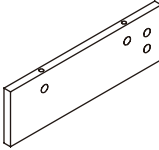
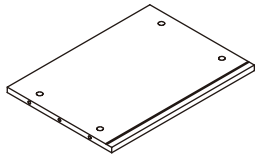
4



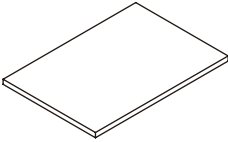
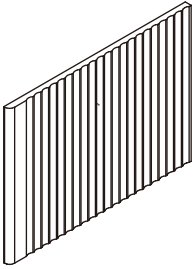
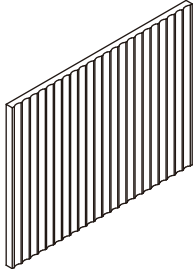
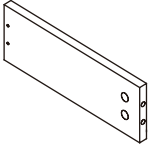
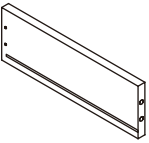
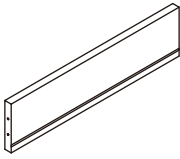
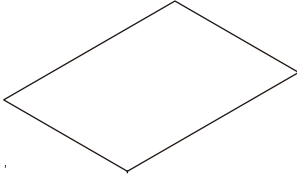
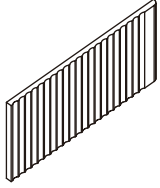
Assembly Instructions



Assembly Instructions

			
309x309x15mm	903x332x15mm	903x110.5x15mm	903x332x15mm
① x 1	② x 1	③ x 1	④ x 1
			
450x350x30mm	350x333x15mm	456.5x319x3mm	450x350x30mm
⑤ x 1	⑥ x 1	⑦ x 2	⑧ x 1
			
453x332x15mm	350x110.5x15mm	350x333x15mm	453x332x15mm
⑨ x 1	⑩ x 1	⑪ x 1	⑫ x 1
			
463x319x3mm	453x332x15mm	350x110.5x15mm	453x332x15mm
⑬ x 2	⑭ x 1	⑮ x 1	⑯ x 1

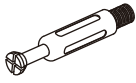

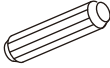

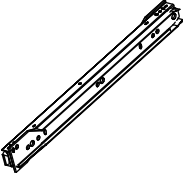
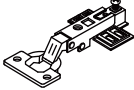





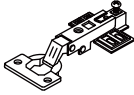
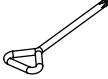
Assembly Instructions

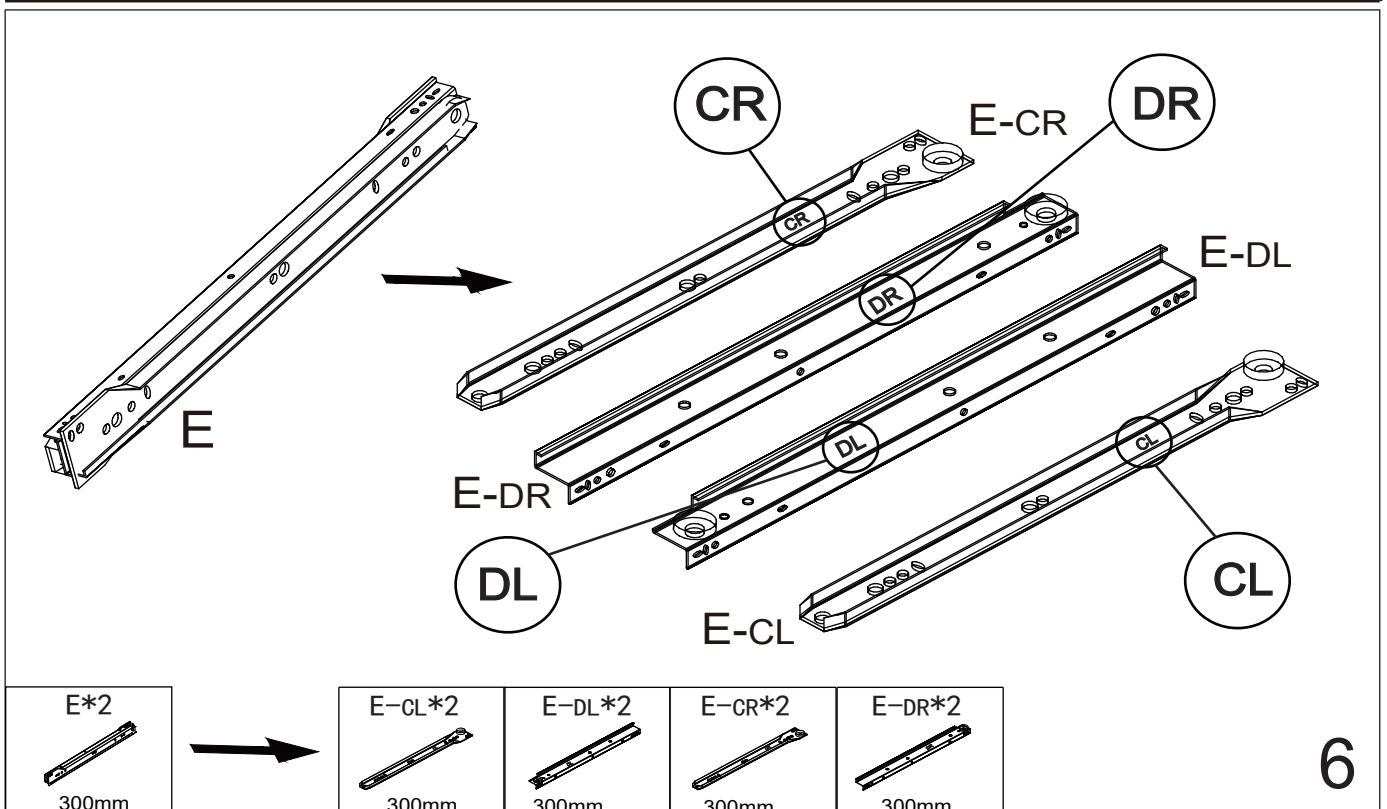
 <p>443x309x15mm</p>	 <p>465x346x15mm</p>	 <p>447x346x15mm</p>	 <p>300x100x15mm</p>
<p>①⑦ x 2</p>	<p>①⑧ x 1</p>	<p>①⑨ x 2</p>	<p>②① x 2</p>
 <p>300x100x15mm</p>	 <p>397x100x15mm</p>	 <p>407x294x3mm</p>	 <p>465x171.5x15mm</p>
<p>②① x 2</p>	<p>②② x 2</p>	<p>②③ x 2</p>	<p>②④ x 2</p>

Components-Fittings

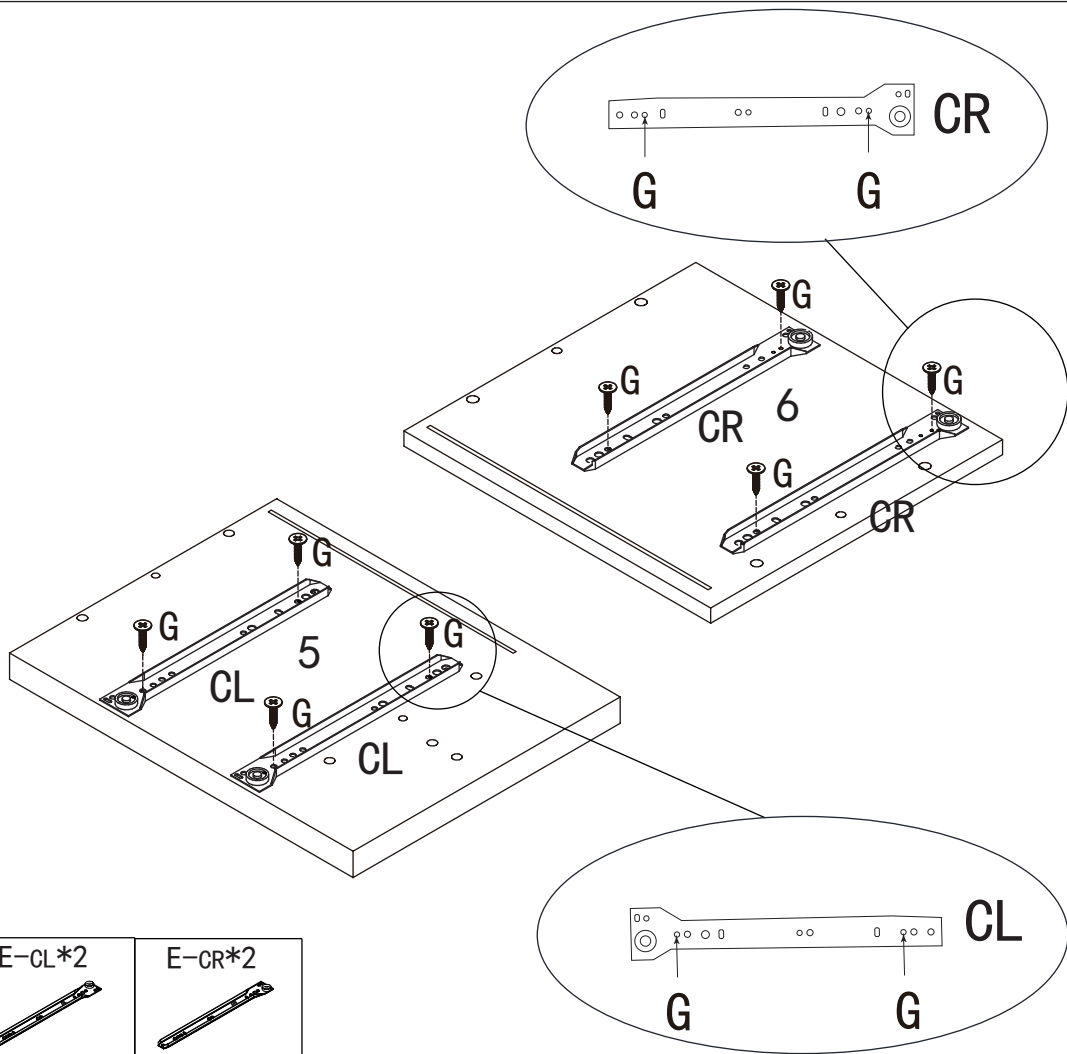
Please check you have all the panels listed below




Note: The quantities below are the correct amount to complete the assembly. In some cases more fittings may be supplied than are required.

<p>(A)</p>  <p>Cam Bolt x 50+2</p>	<p>(B)</p>  <p>Cam Lock x 50+2</p>	<p>(C)</p>  <p>8*30mm Dowel x 14+2</p>	<p>(D)</p>  <p>Bulkhead Pins x 8+1</p>
<p>(E)</p>  <p>300mm Drawer slide x 2</p>	<p>(F)</p>  <p>Hinge x 4</p>	<p>(G)</p>  <p>3.5*14mm Screw x 52+2</p>	<p>(H)</p>  <p>3.5*35mm Screw x 8+2</p>
<p>(J)</p>  <p>Back panel buckle x 12+1</p>	<p>(K)</p>  <p>Perfect Fit x 50</p>	<p>(L)</p>  <p>felt x 8+2</p>	<p>(M)</p>  <p>Hinge x 2</p>
<p>(N)</p>  <p>Screwdriver x 1</p>			

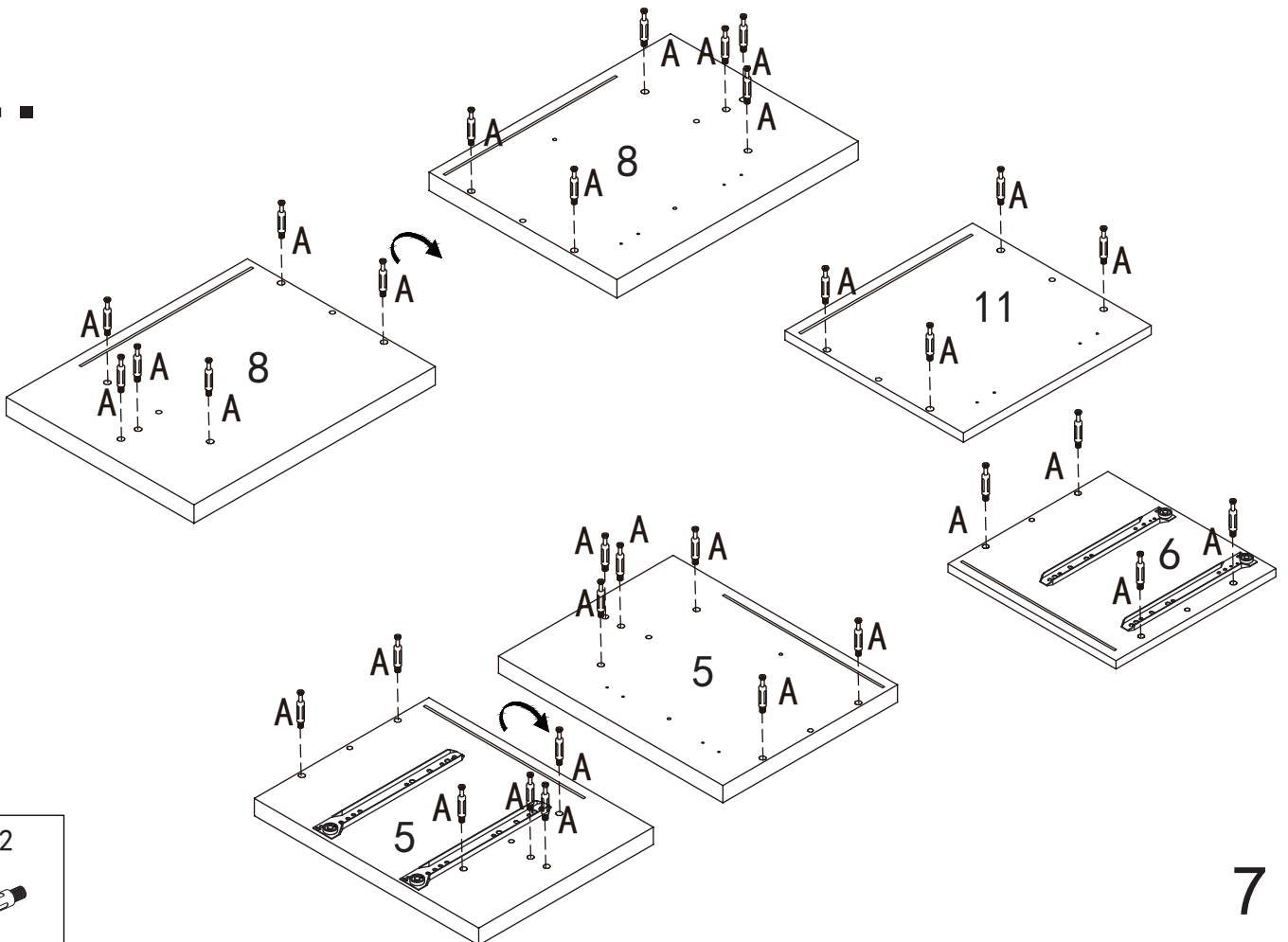



1.



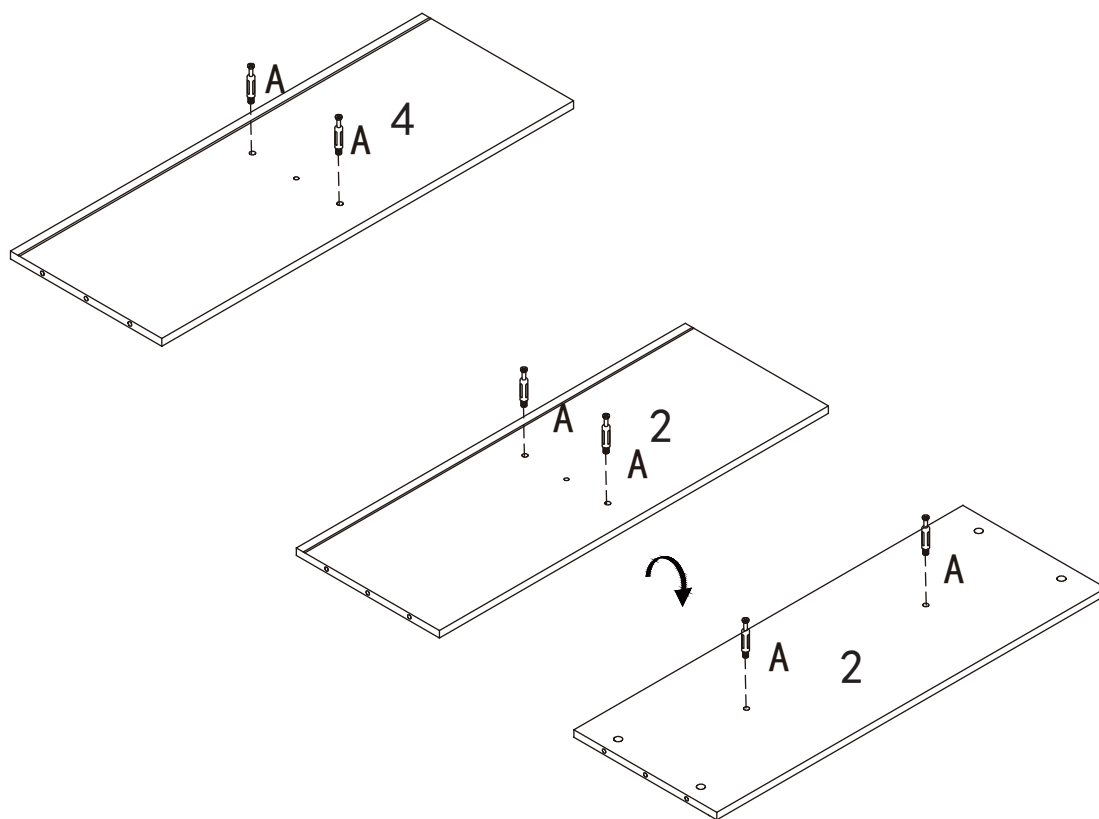
G*8  Ø 3.5 x 14 mm	E-CL*2  300 mm	E-CR*2  300 mm
--	--	--

2.



A*32 

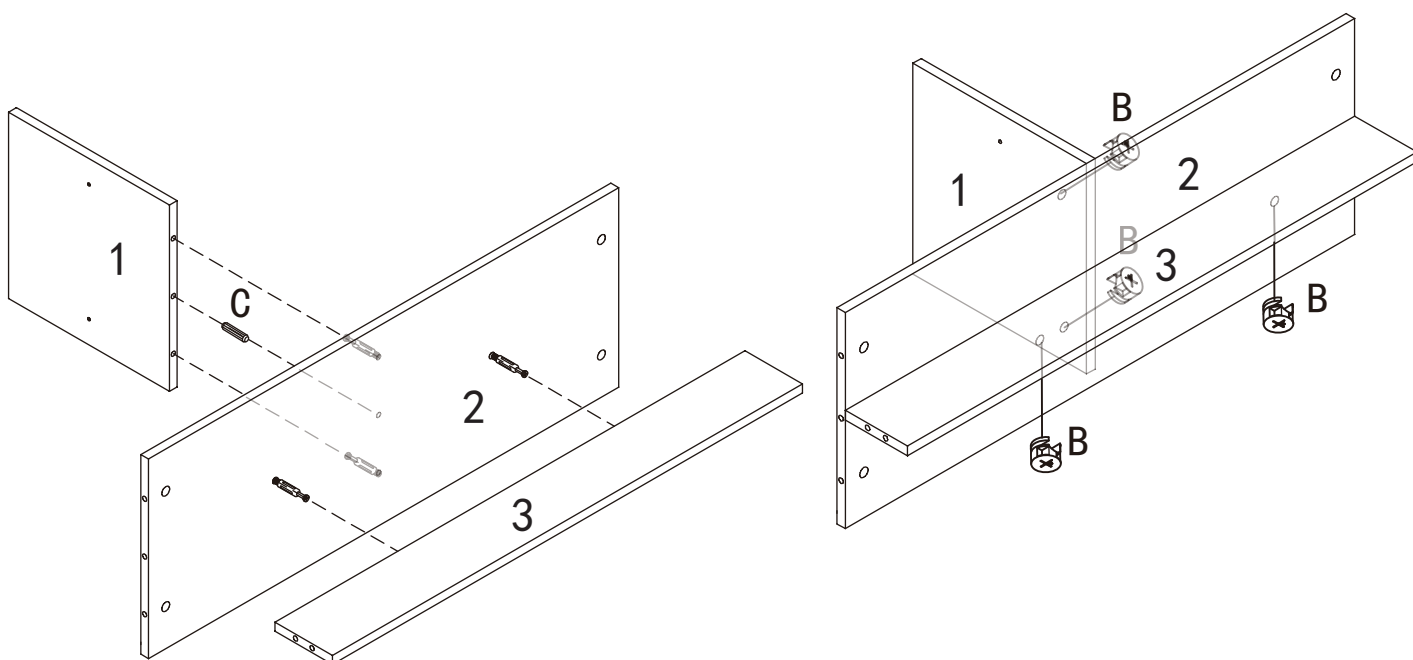
3.



A*6



4.



B*4

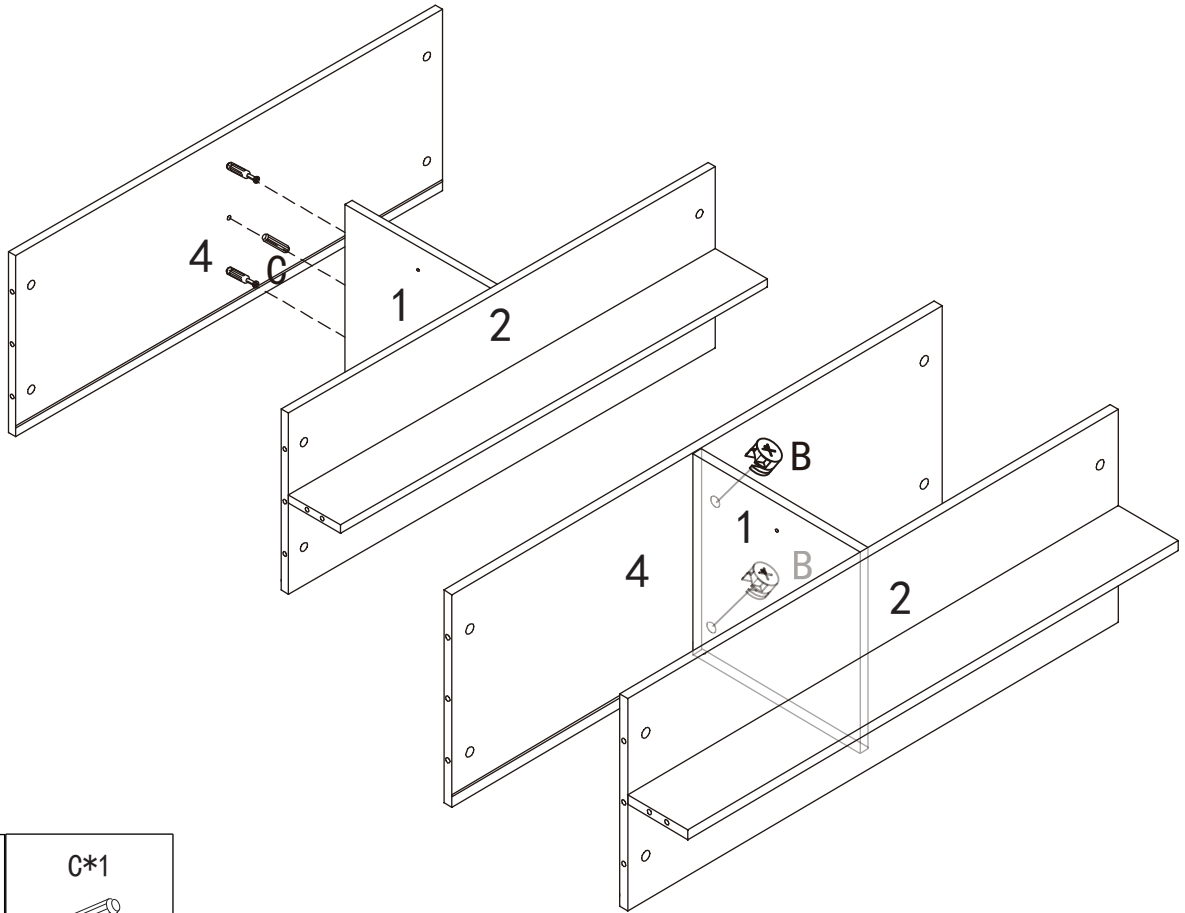


C*1



∅8 x 30 mm

5.



B*2

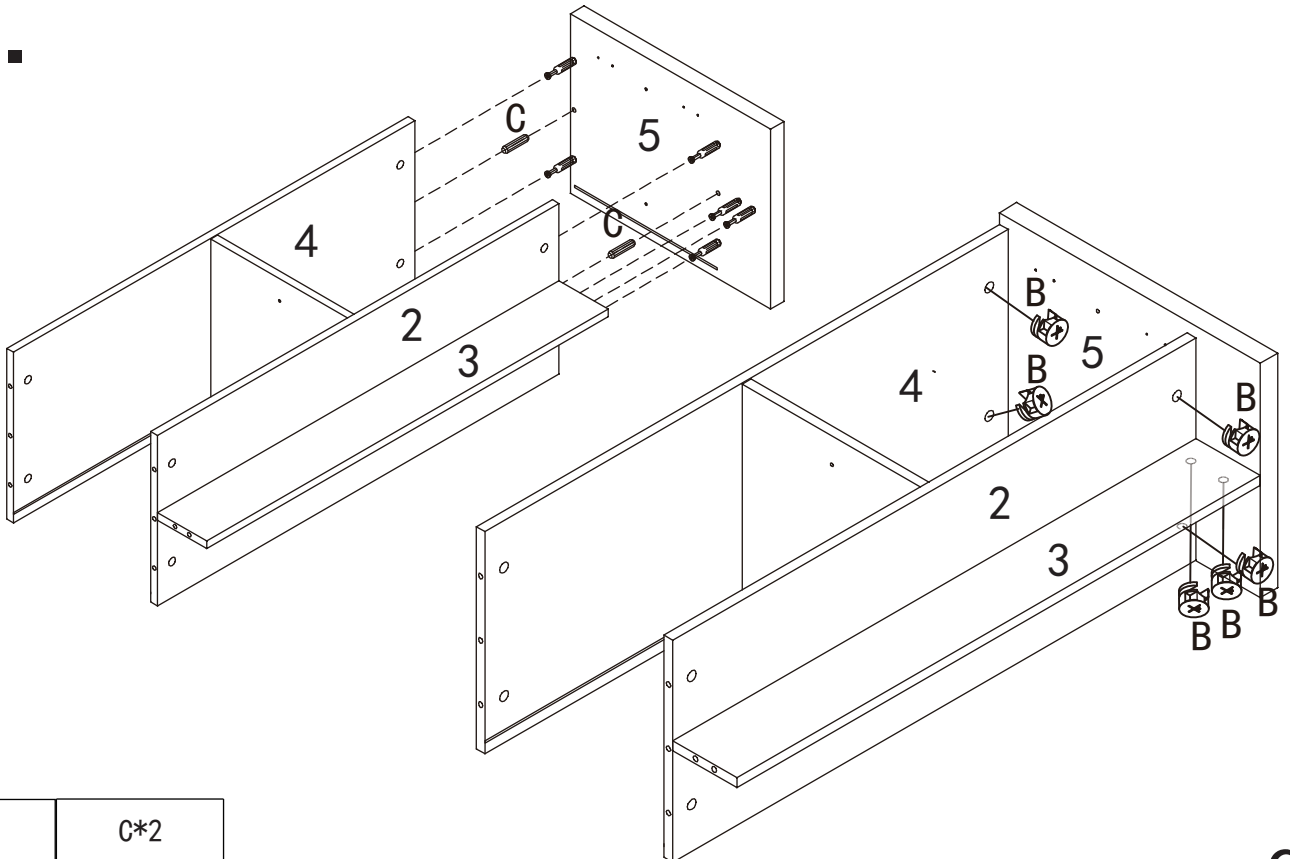


C*1



∅8 x 30 mm

6.



B*6



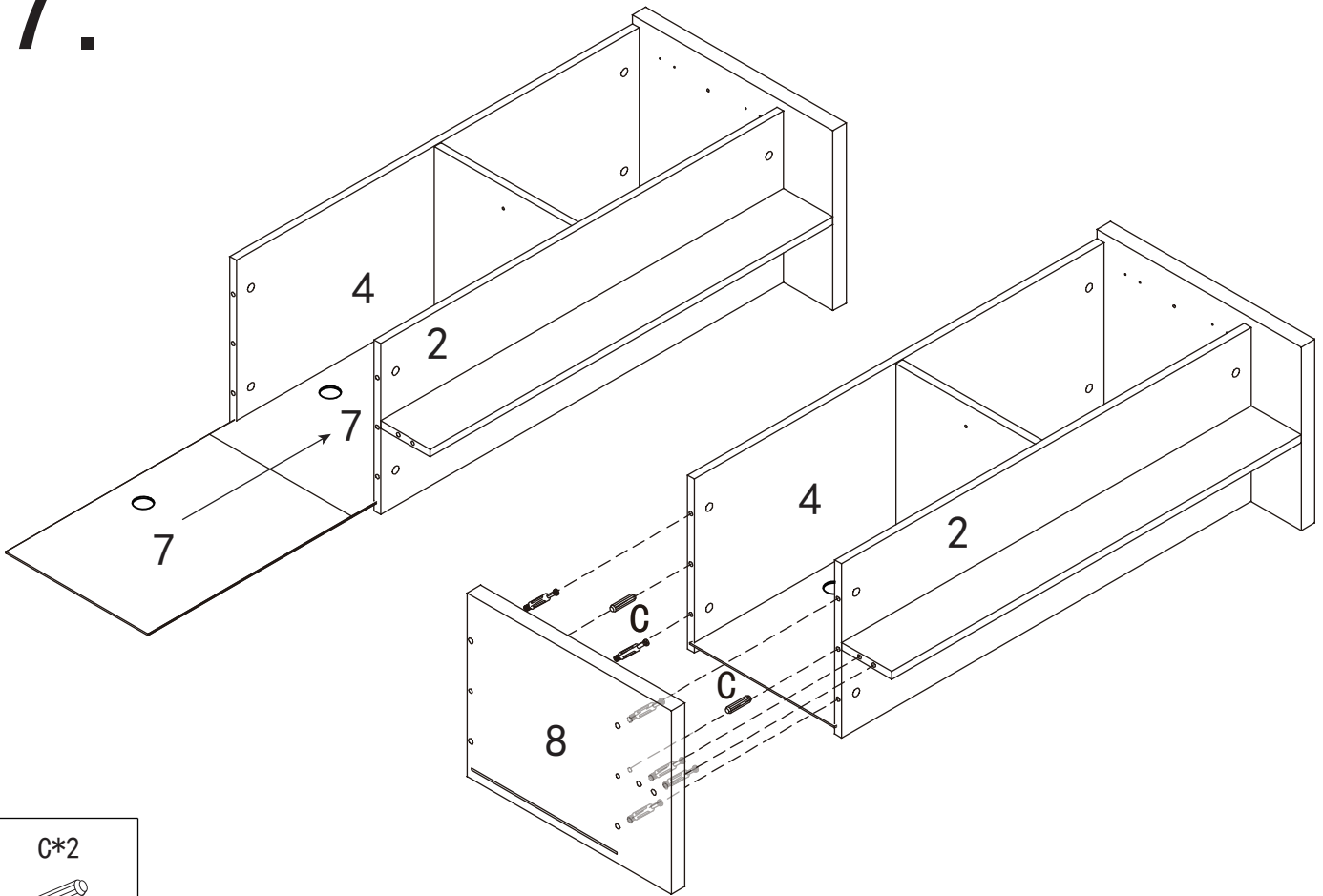
C*2



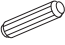
∅8 x 30 mm

9

7.

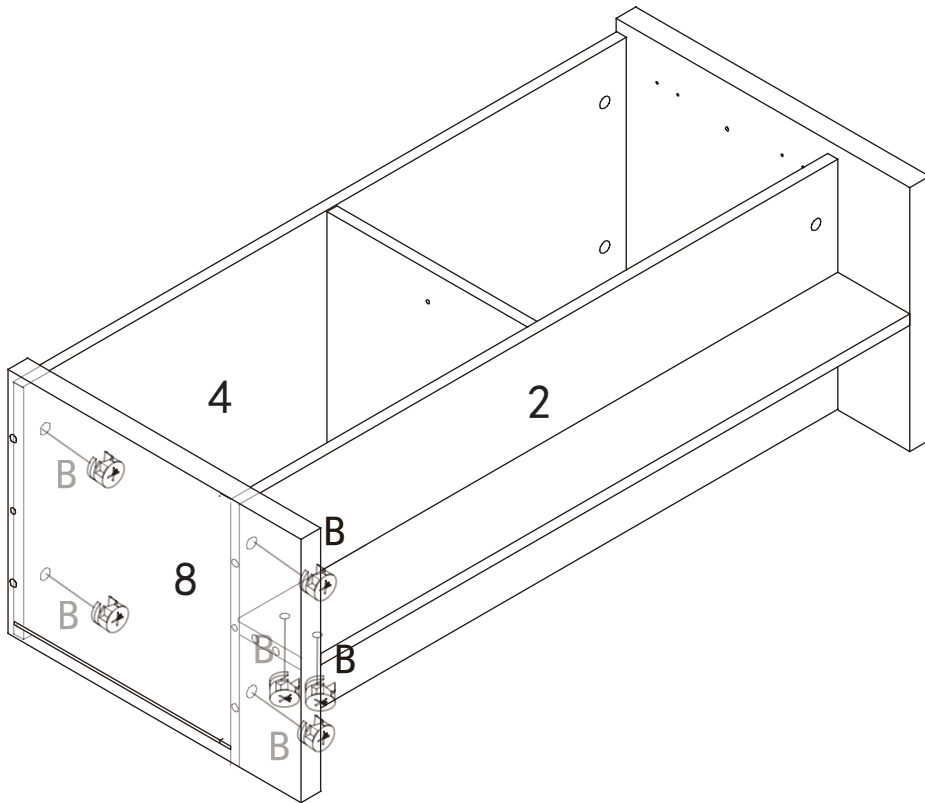


C*2




Ø8 x 30 mm

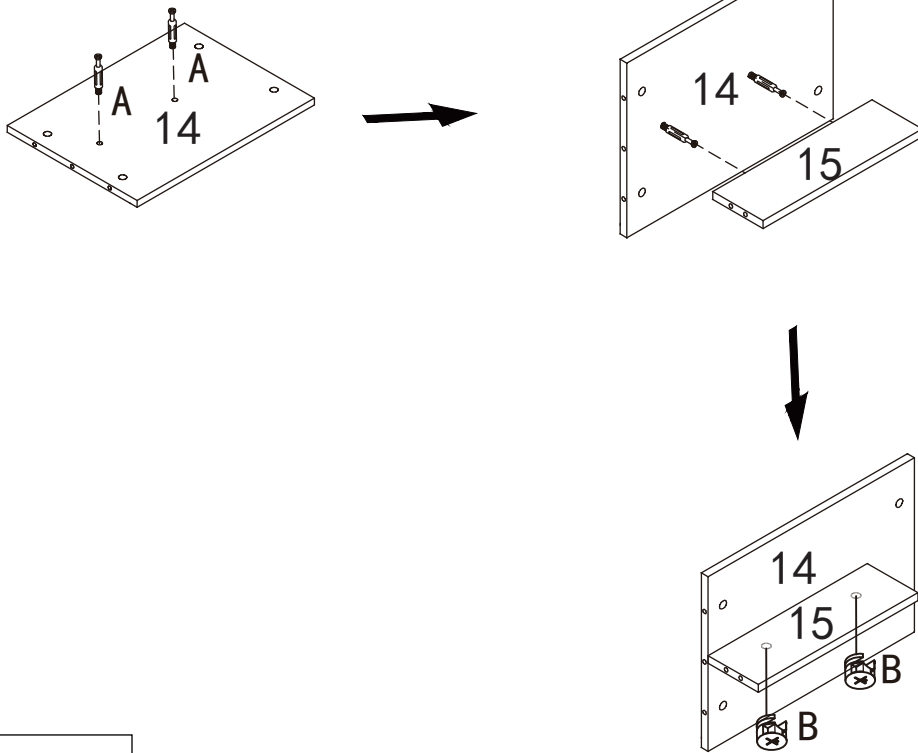
8.





B*6

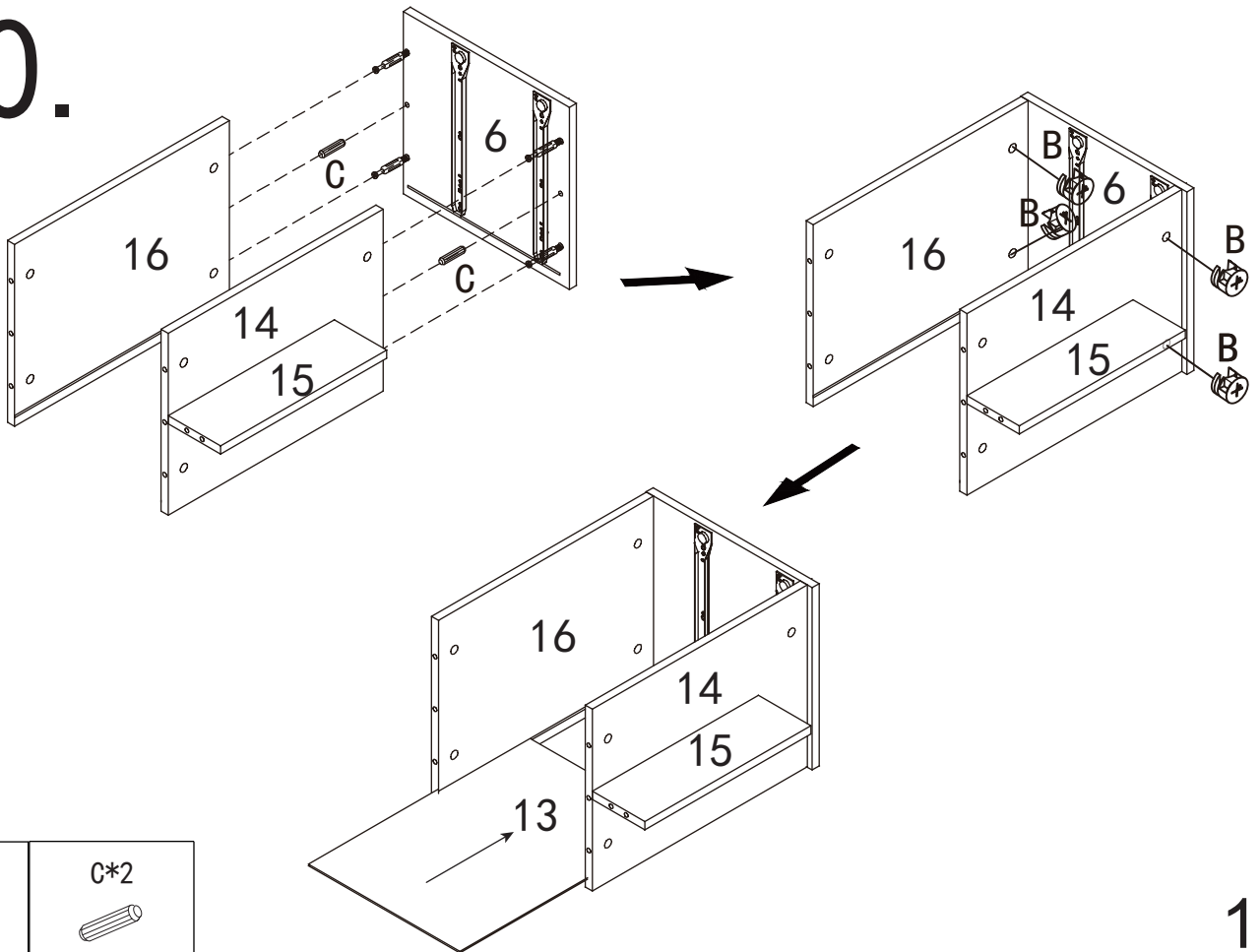




9.



A*2	B*2
	

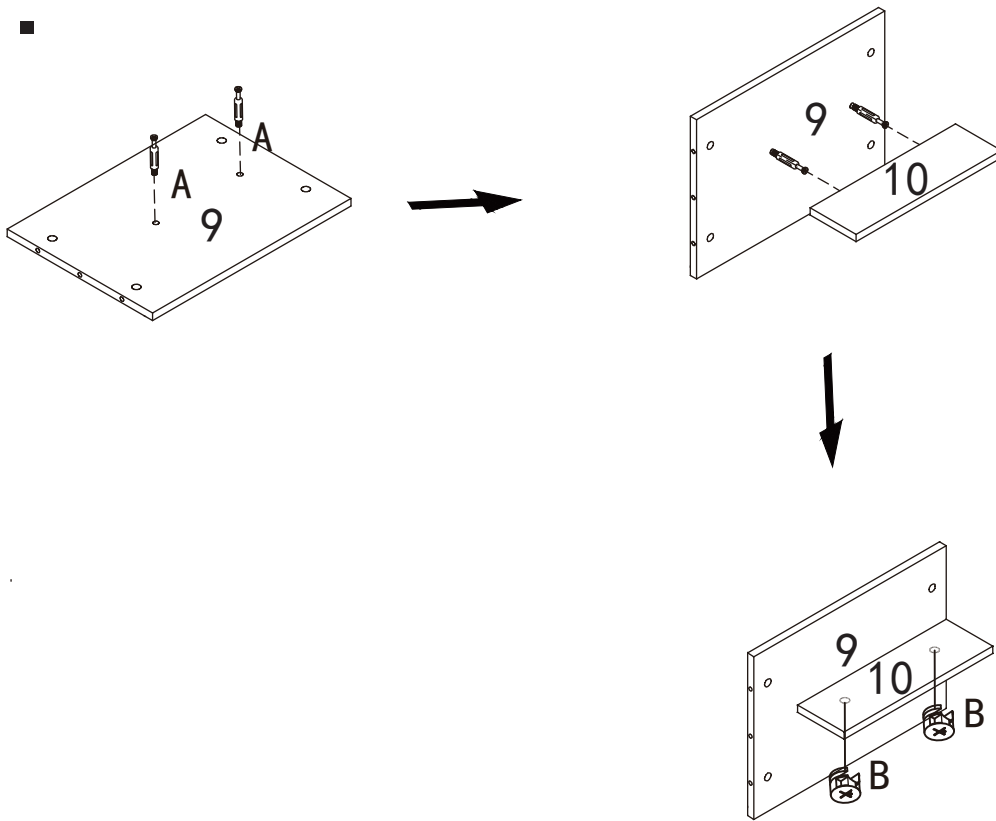
10.





B*4	C*2
	
	Ø8 x 30 mm

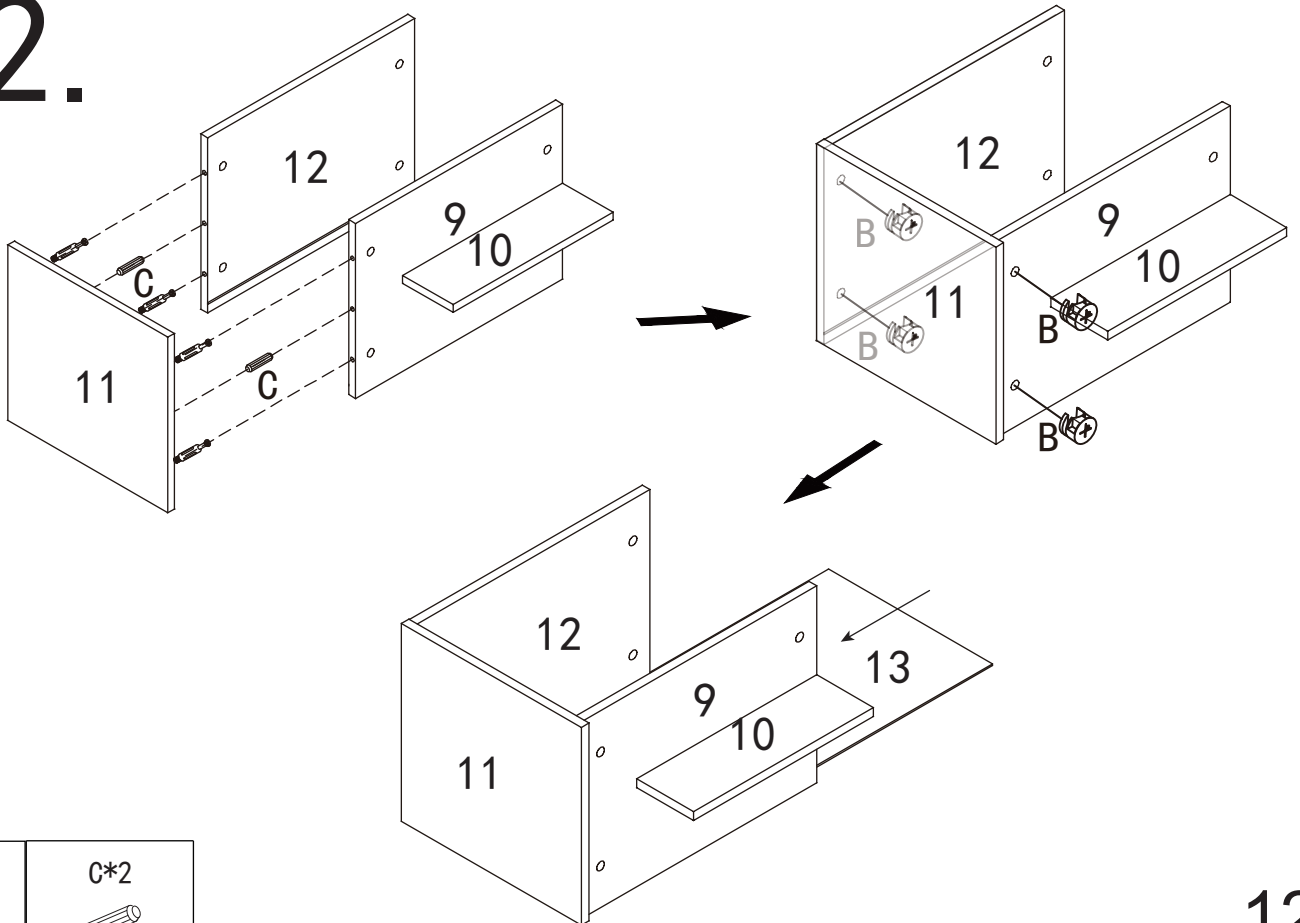
11


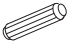
11.



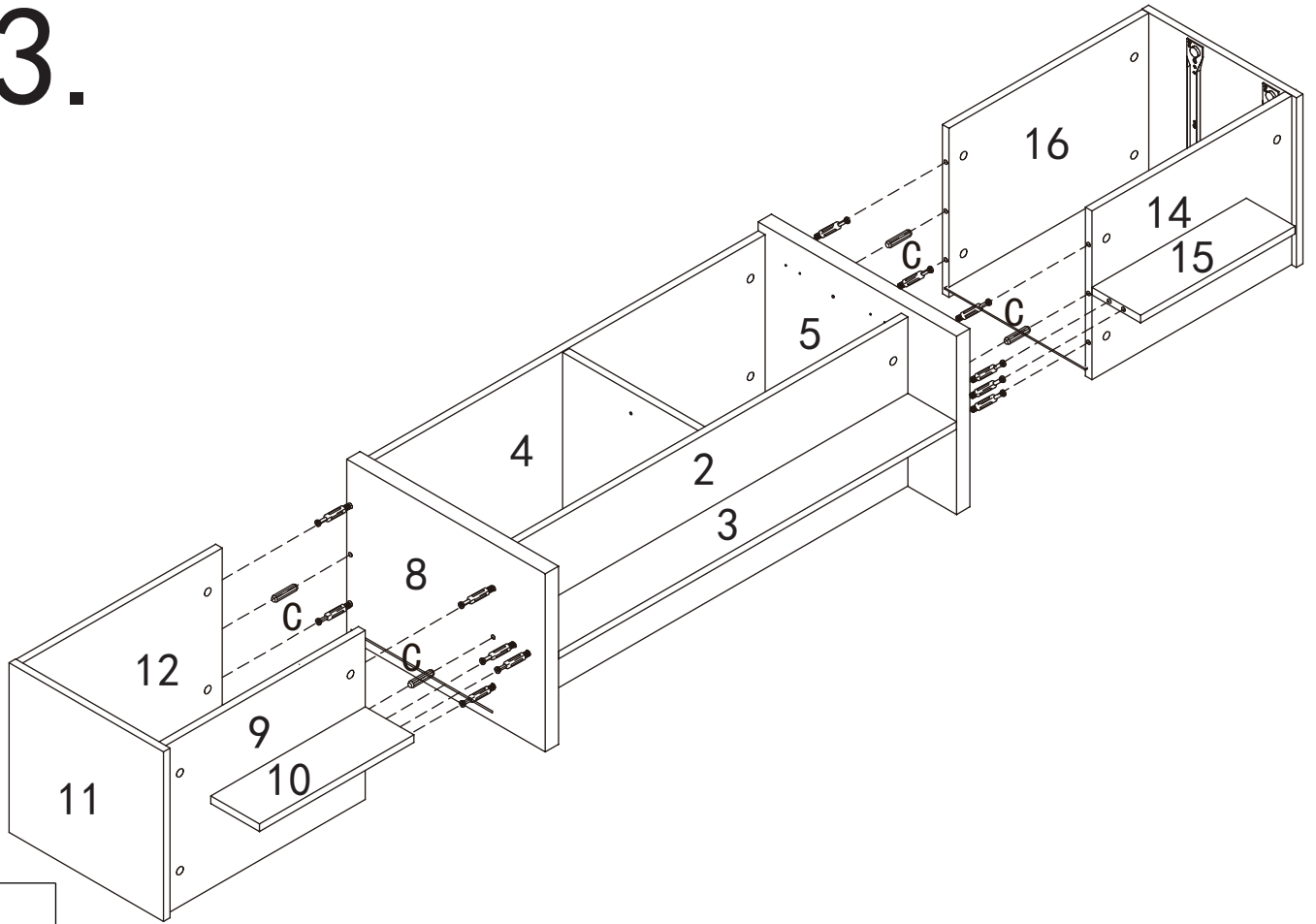
A*2	B*2
	

12.



B*4	C*2
	
	∅8 x 30 mm

13.

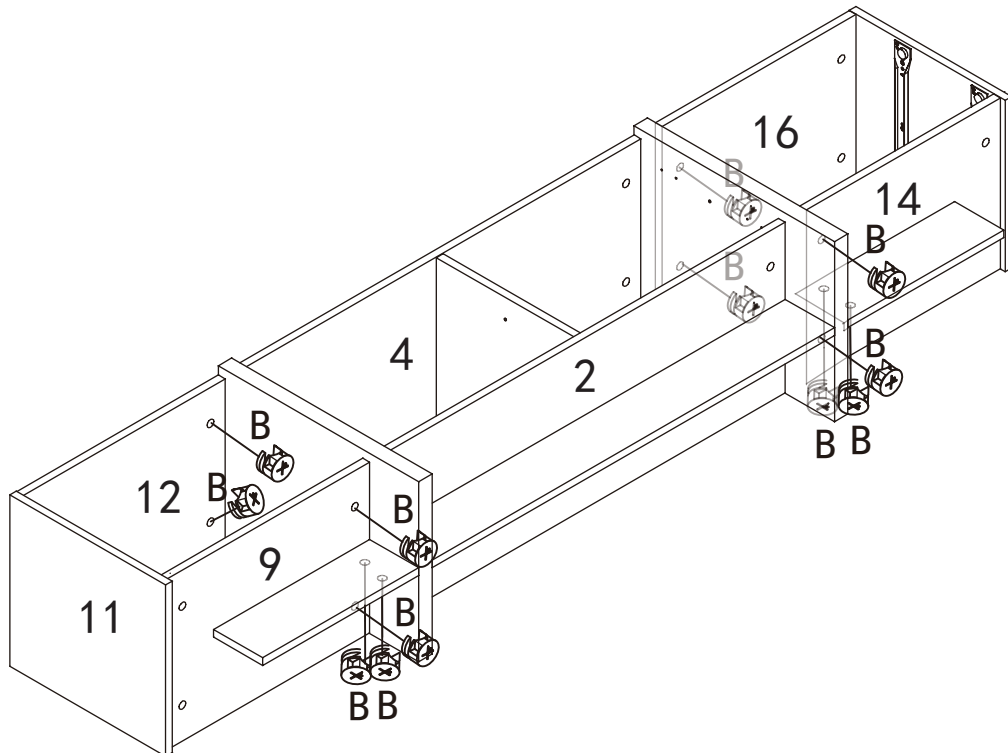


C*4



∅8 x 30 mm

14.

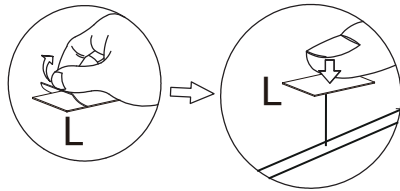


B*12

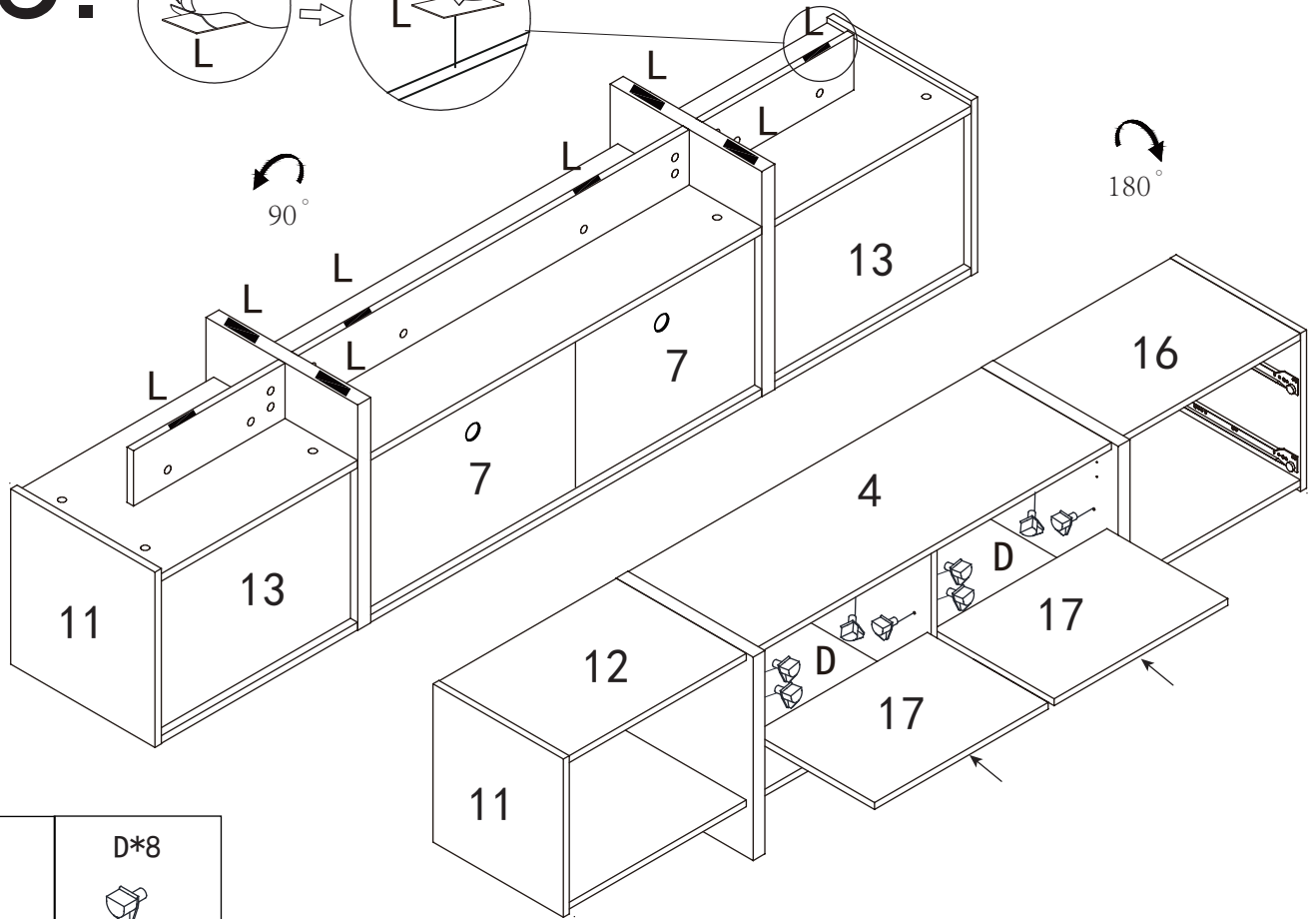


13

15.



The product should be flipped 90 degrees before installation

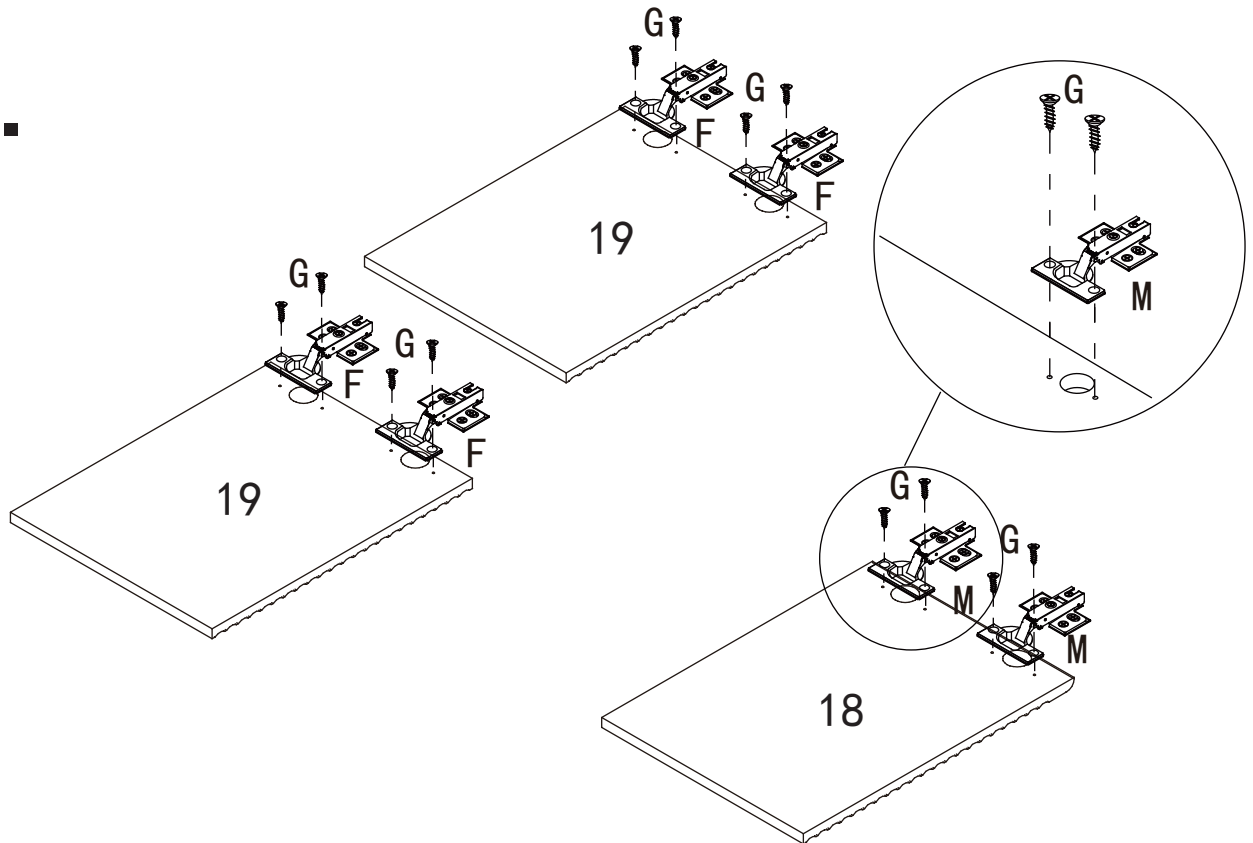


L*8

D*8



16.



G*12

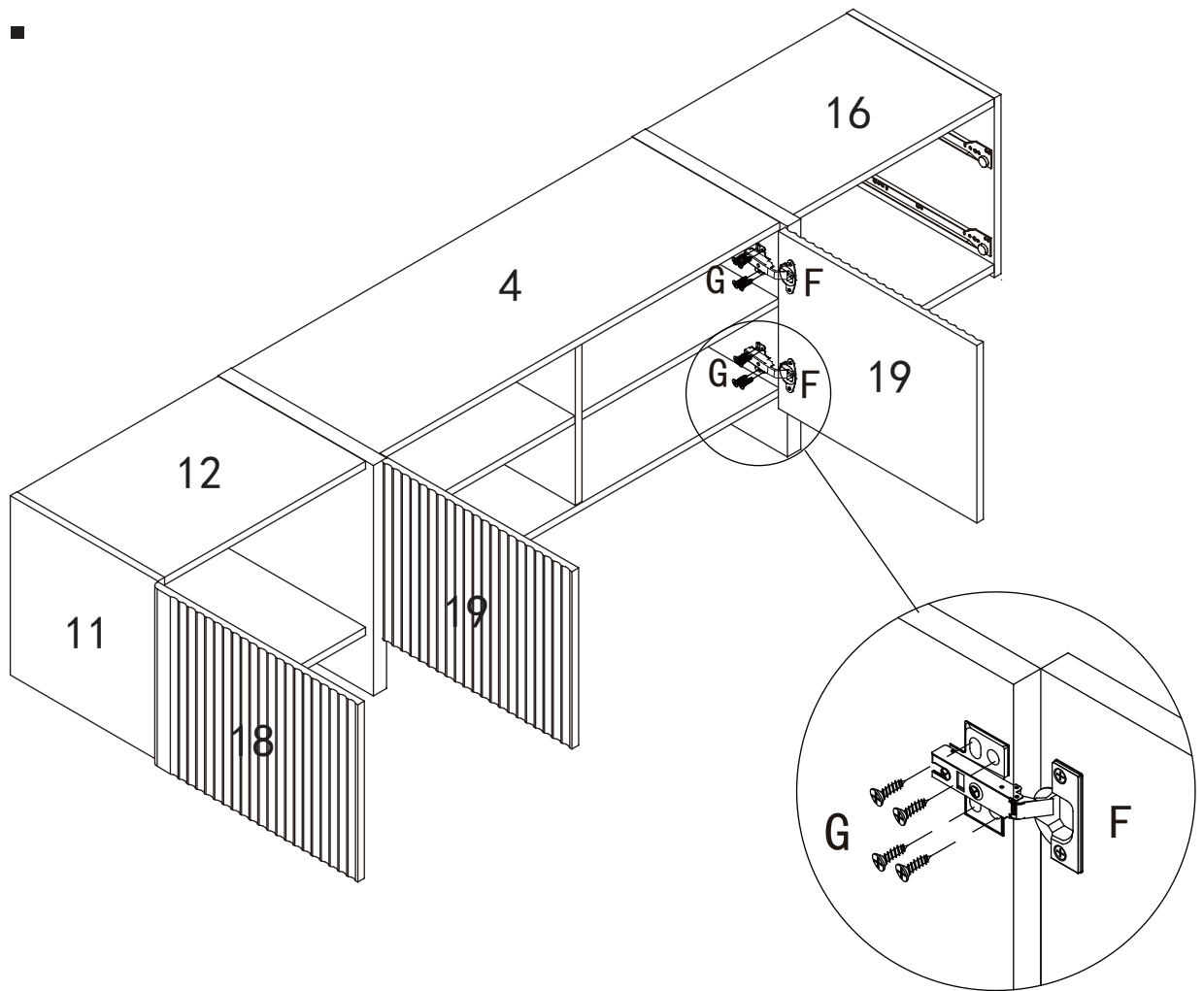
M*2

F*4

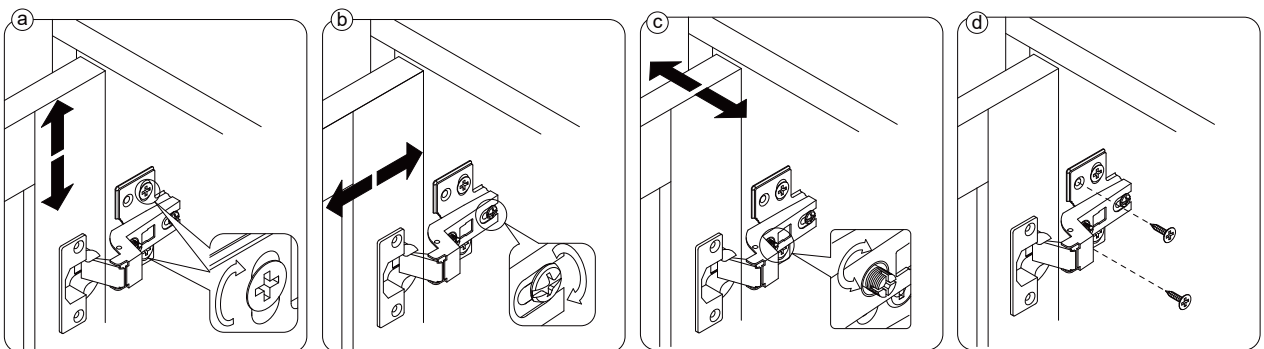


Ø3.5 x 14 mm

17.



When the hinges are installed, you can refer to the pictures to adjust crevice of the doors till it's perfect:



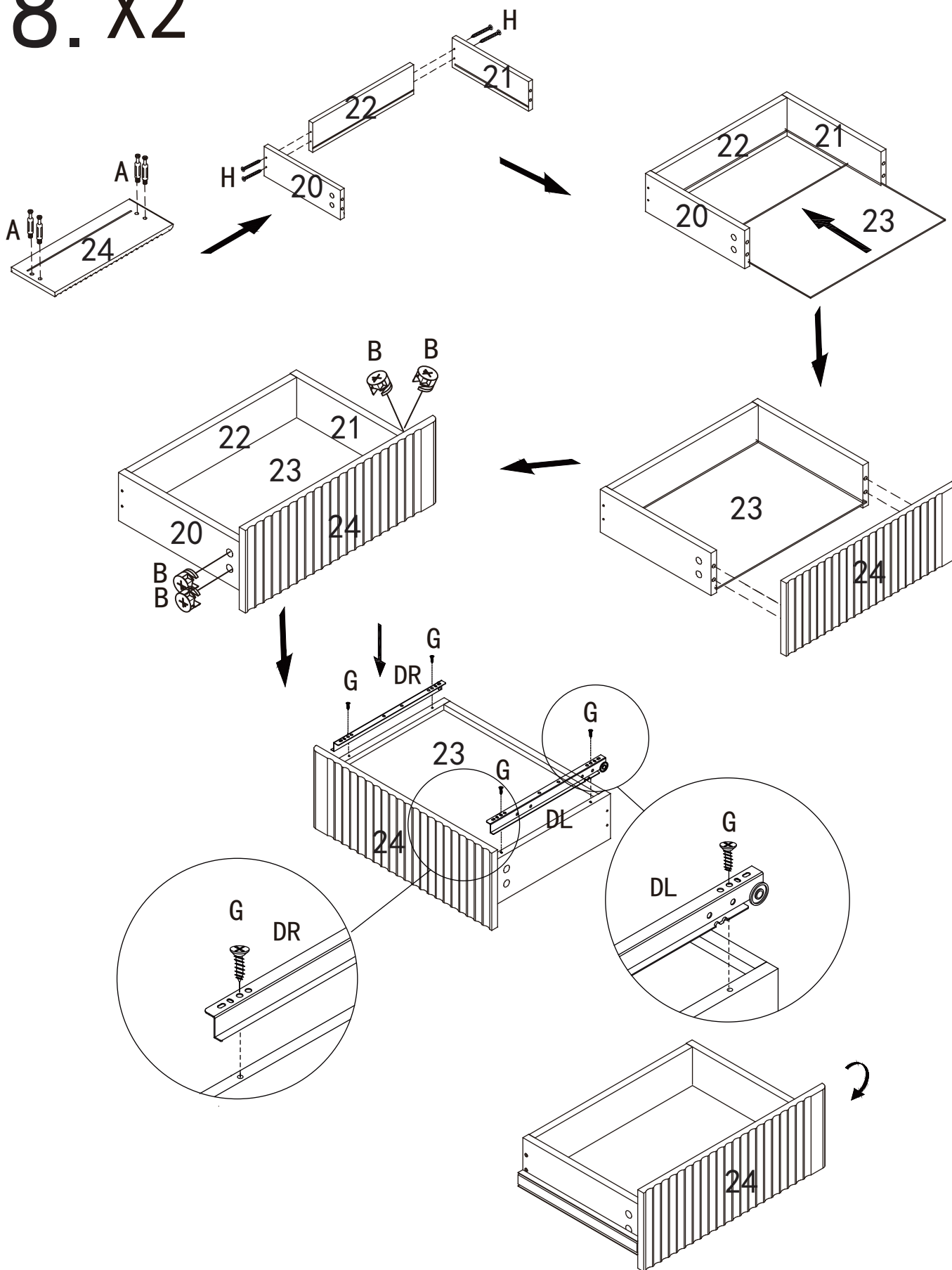
1. To adjust the doors up and down, please refer to step (a)
2. To adjust the distance between the doors and side panels, please refer to step (b)
3. To adjust the gap between two doors, please refer to step (c)
4. After the adjustment finished, please tight the screws, refer to step (d)







G*24



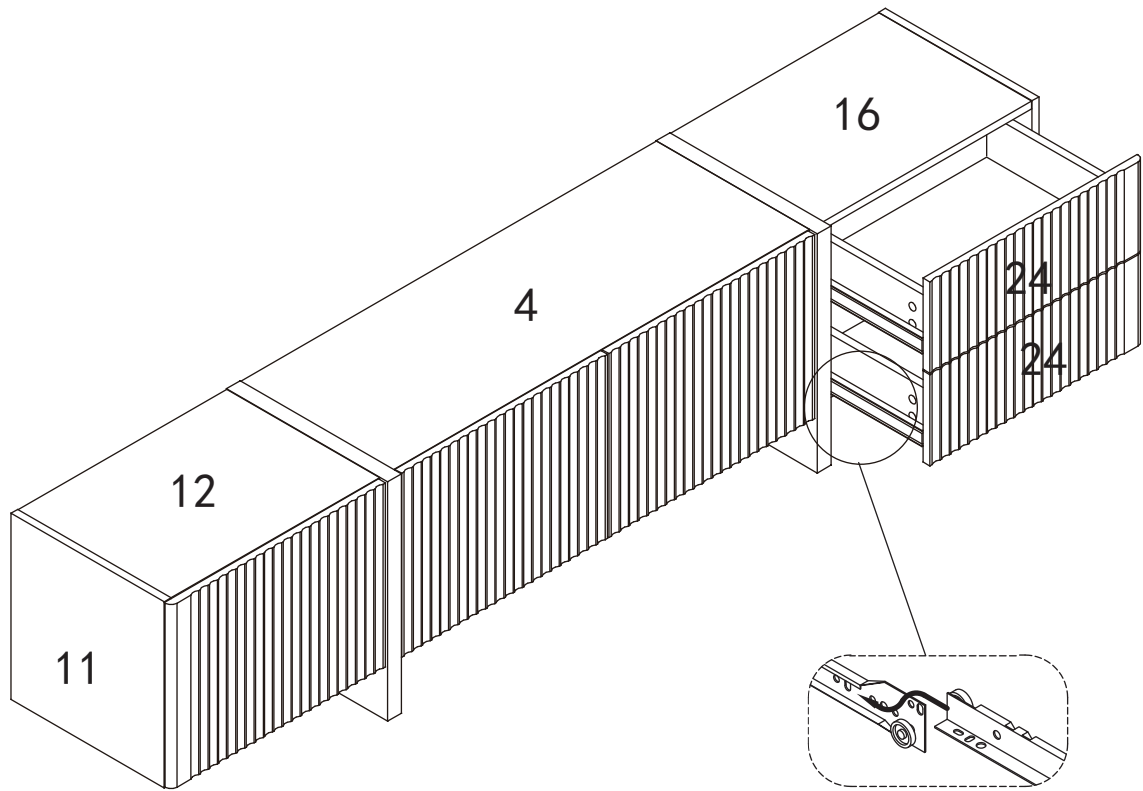
Ø3.5 x 14 mm

18. X2

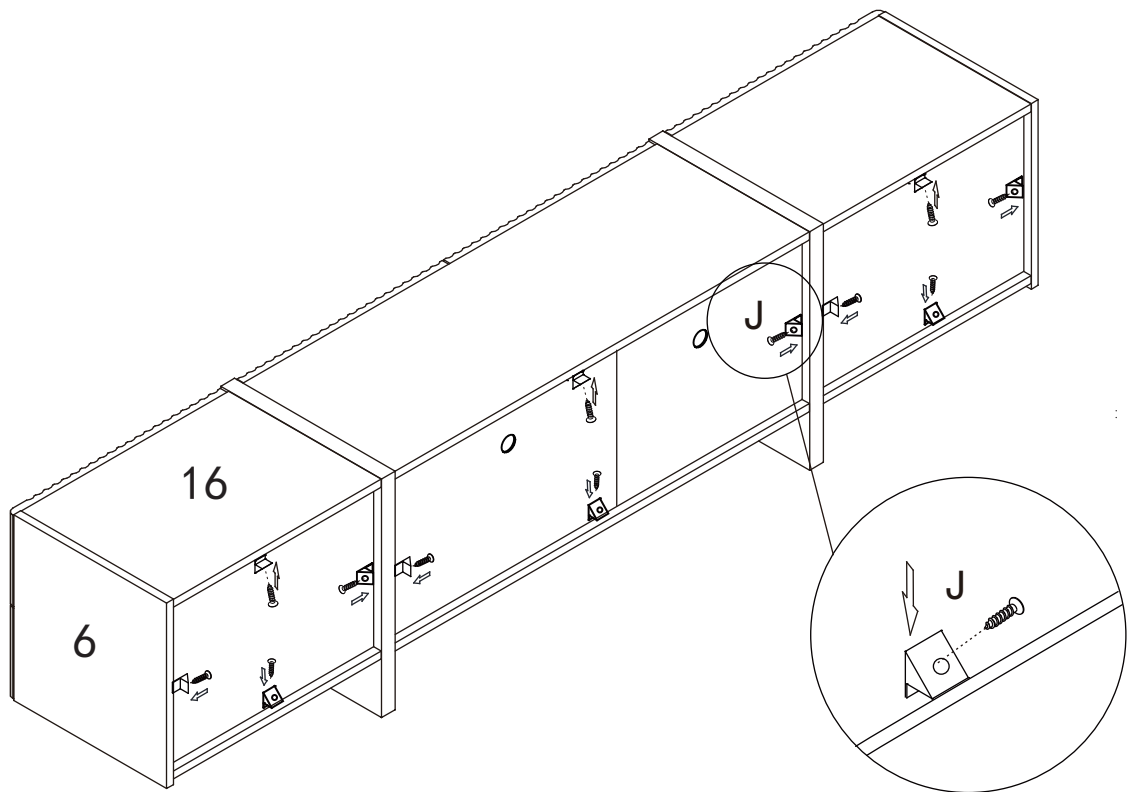


A*8	B*8	H*8	G*8	E-DL*2	E-DR*2
					
		Ø 3.5 x 35 mm	Ø 3.5 x 14 mm	300mm	300mm

19.



20.

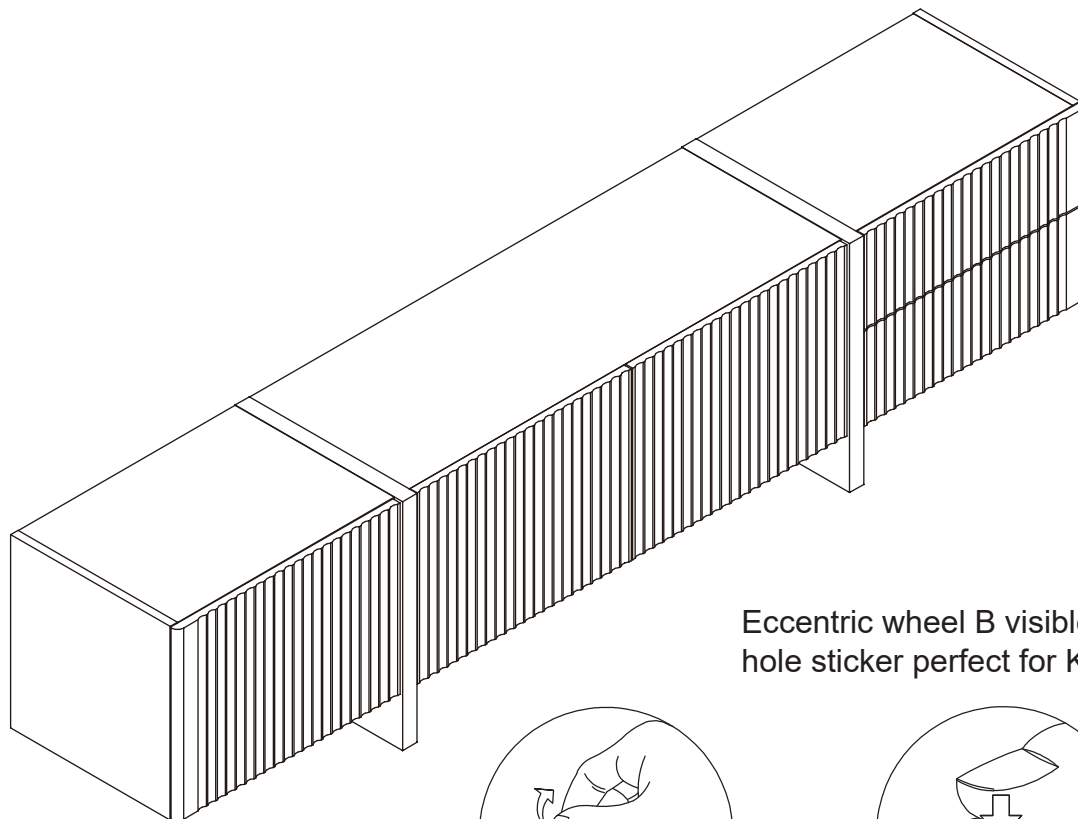


J*12

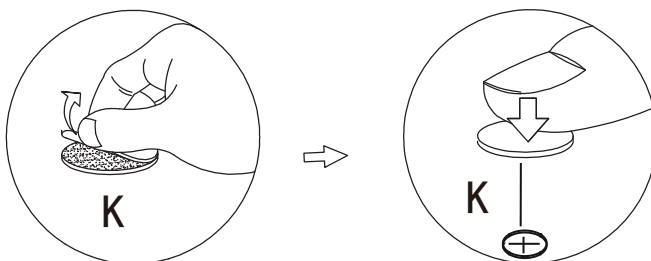


17

21.



Eccentric wheel B visible hole sticker perfect for K



K*50



22.

