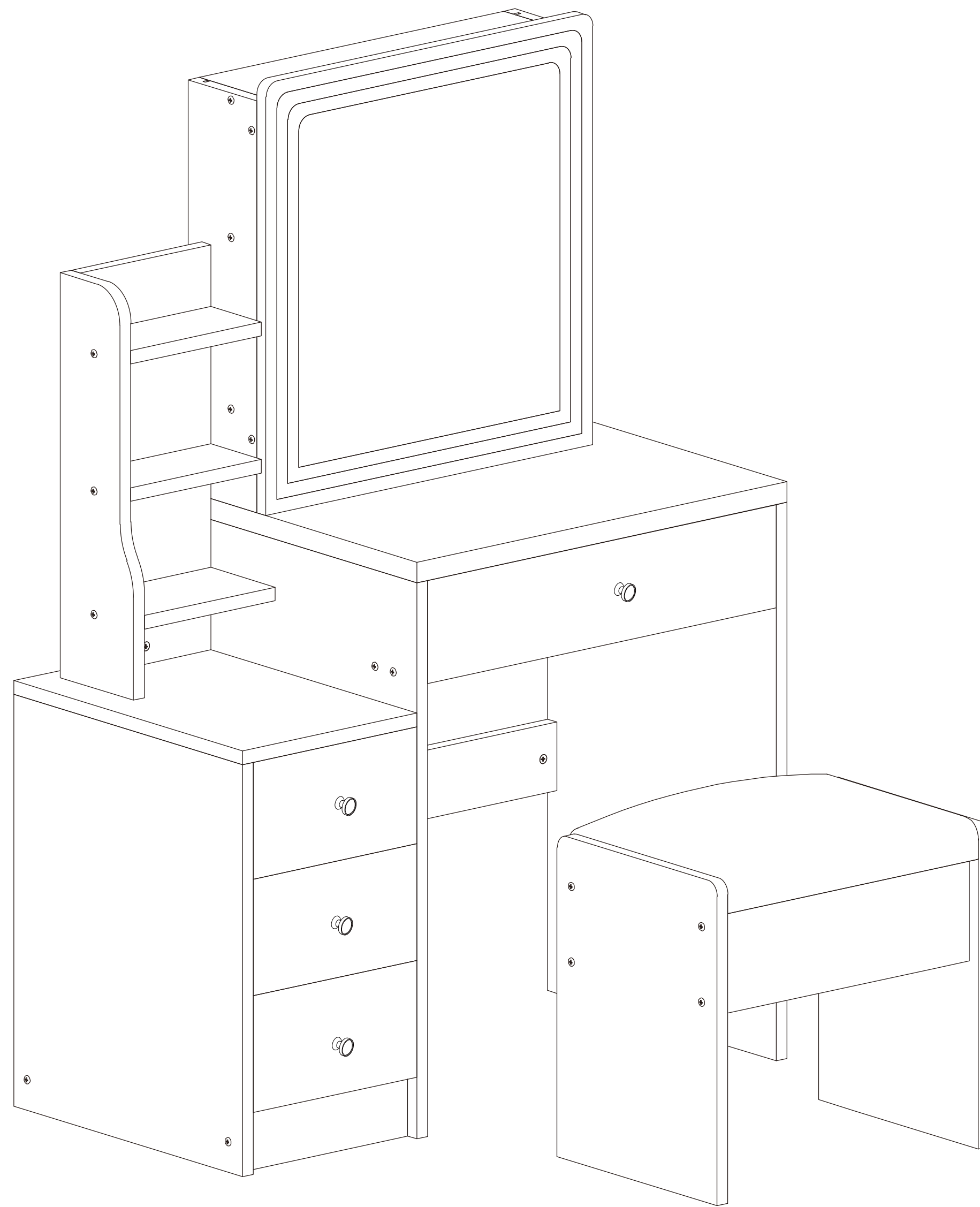
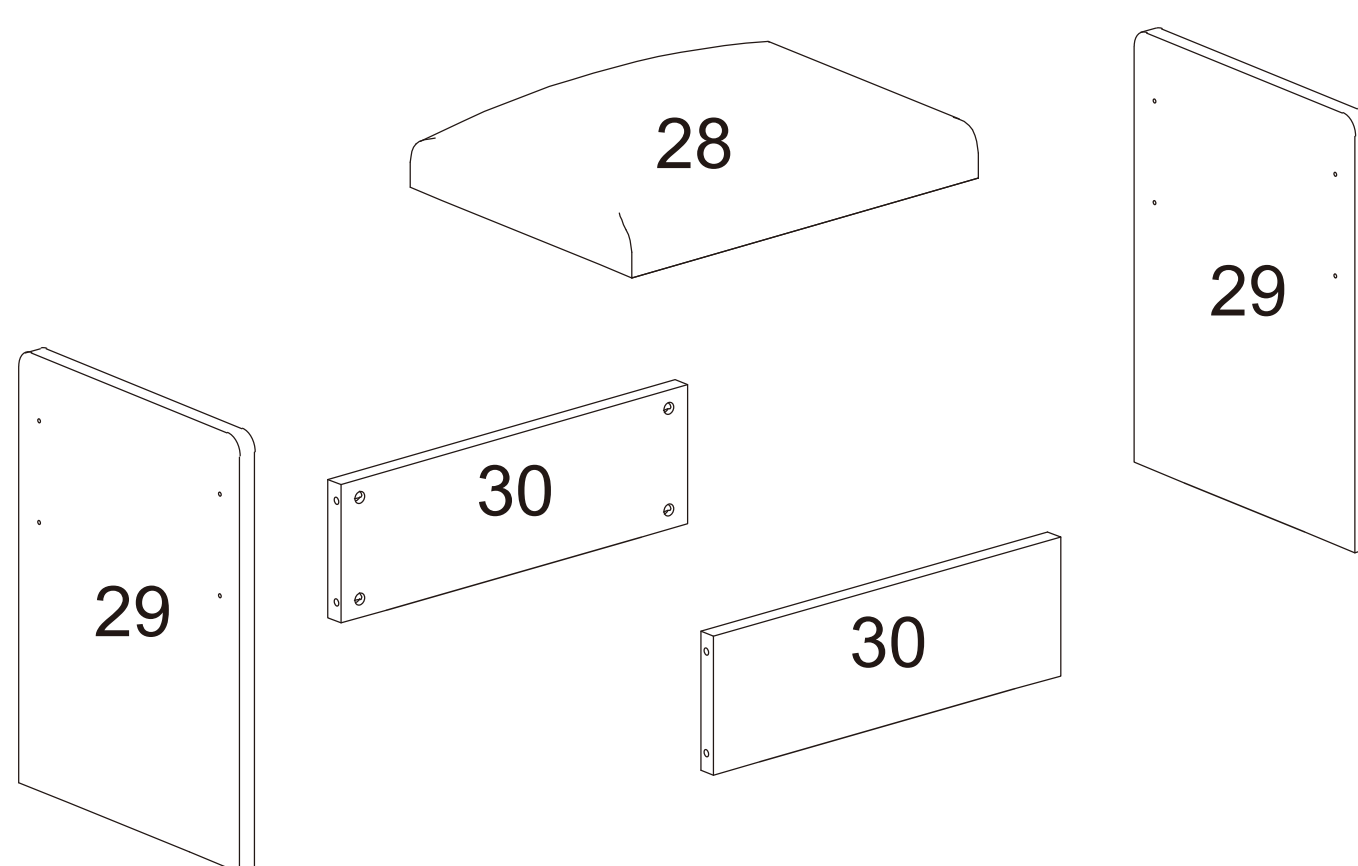
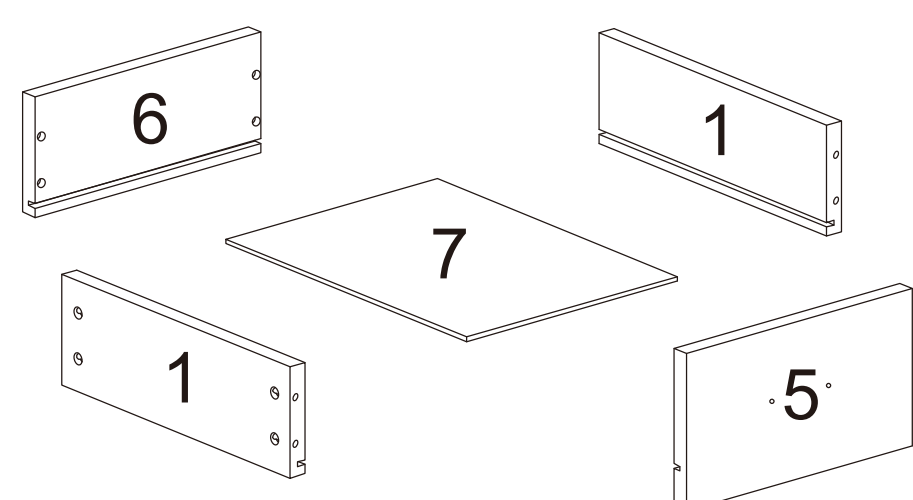
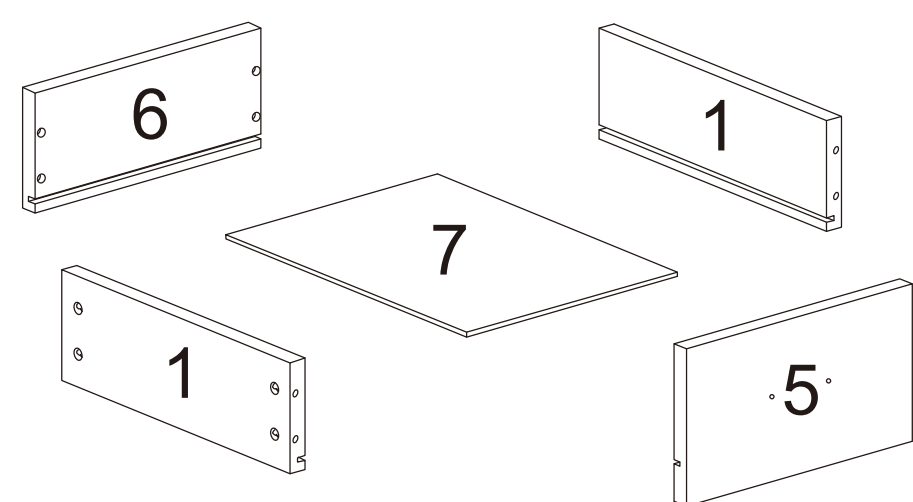
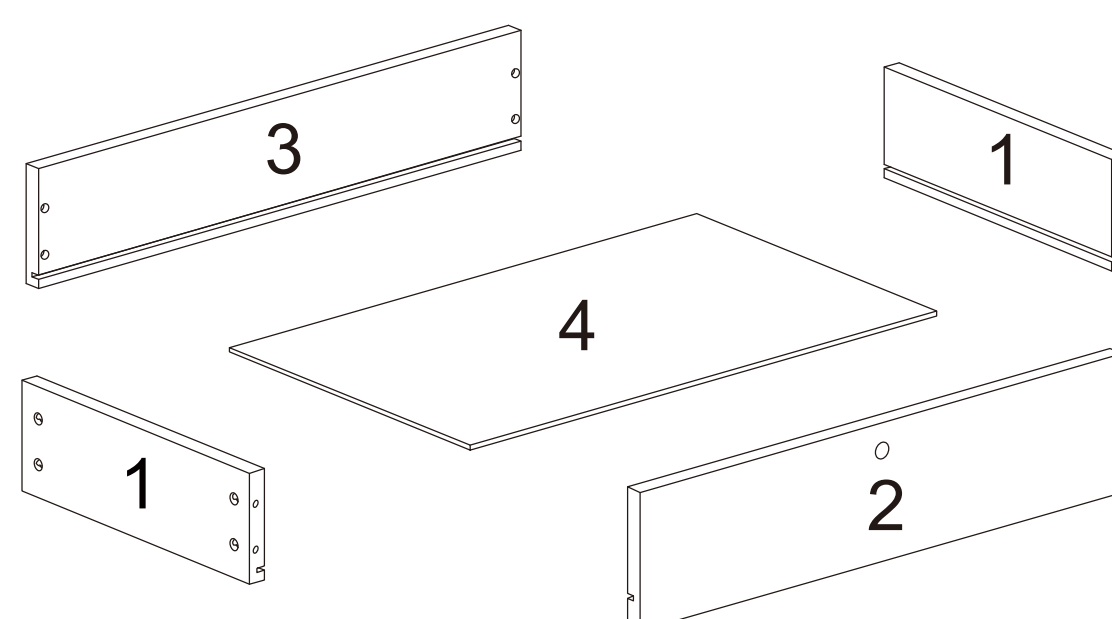
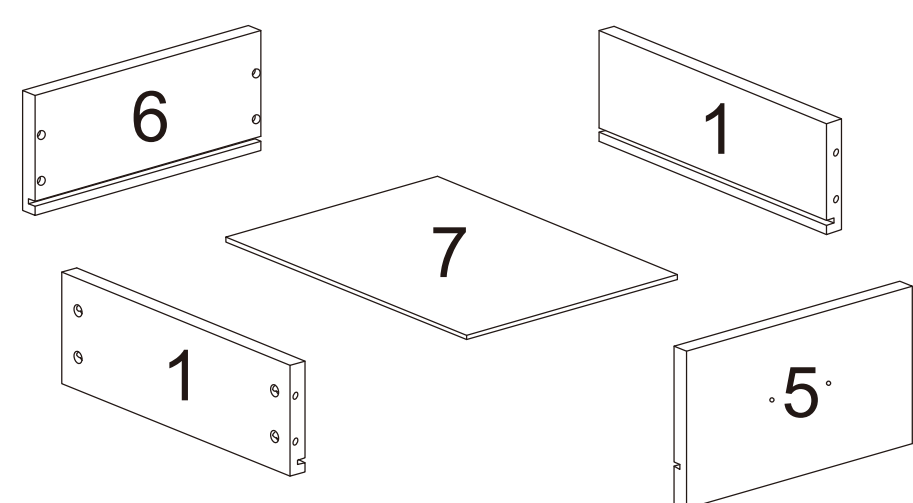
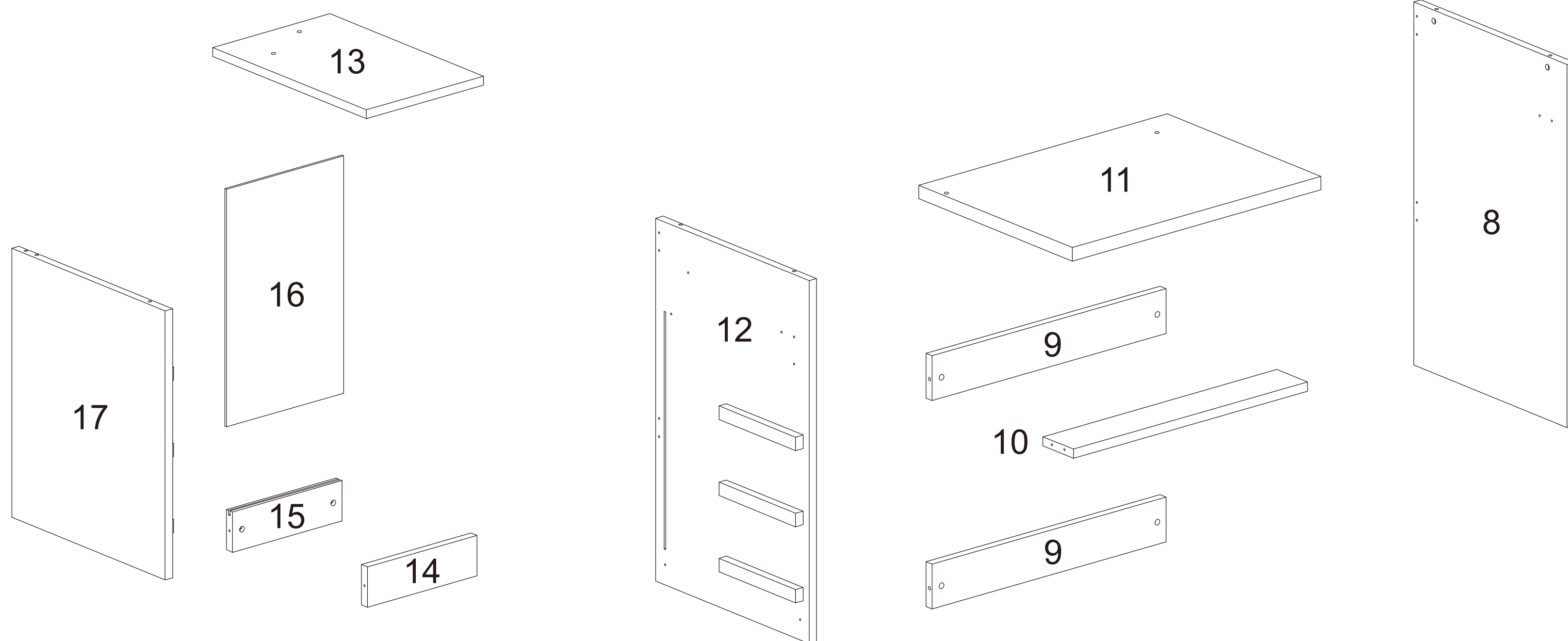
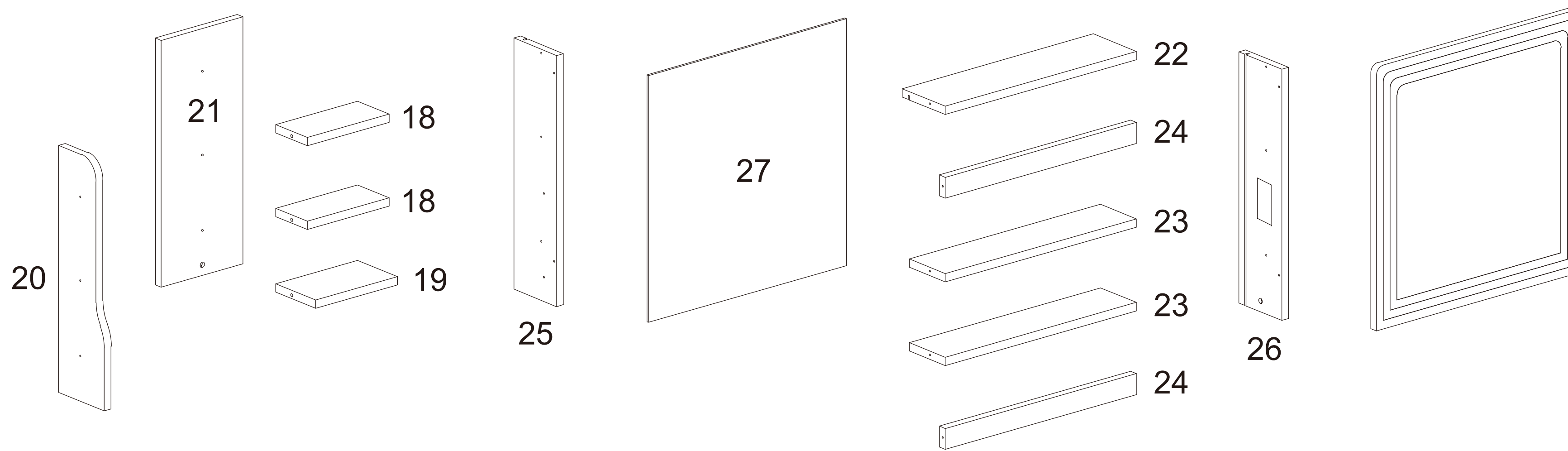


VANITY TABLE

**918S-W, 918S-B, 918S-W-L, 918S-B-L,
918S-W-LS, 918S-B-LS
INSTALLATION MANUAL**



**918 is type name, S is small size, W is white, B is Black,
L is light, S is socket**



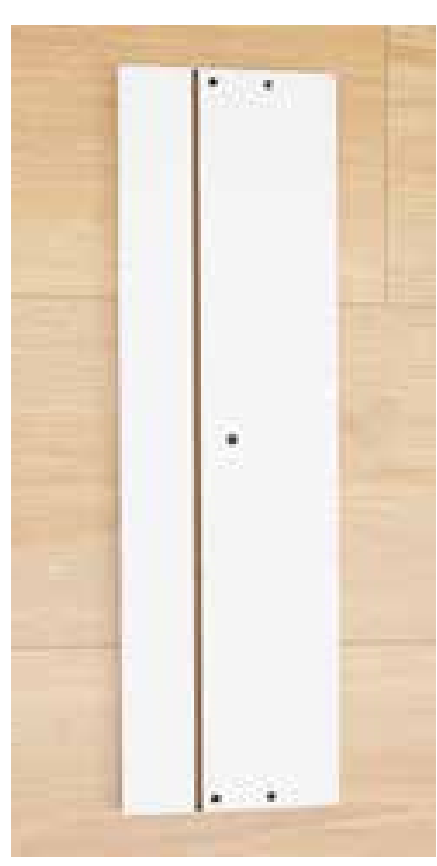
1 - x8	16 - x1
2 - x1	17 - x1
3 - x1	18 - x2
4 - x1	19 - x1
5 - x3	20 - x1
6 - x3	21 - x1
7 - x3	22 - x1
8 - x1	23 - x2
9 - x2	24 - x2
10 - x1	25 - x1
11 - x1	26 - x1
12 - x1	27 - x1
13 - x1	28 - x1
14 - x1	29 - x2
15 - x1	30 - x2

Before installation, please find a marker pen with erasable marks, distinguish each accessory based on the shape of the board and the position of the holes, and then write the corresponding number on the board.





1 -x8



2 -x1



3 -x1



4 -x1



5 -x3



6 -x3



7 -x3



8 -x1



9 -x2



10 -x1



11 -x1



12 -x1



13 -x1



14 -x1



15 -x1



16 -x1



17 -x1



18 -x2



19 -x1



20 -x1



21 -x1



22 -x1



23 -x2



24 -x2



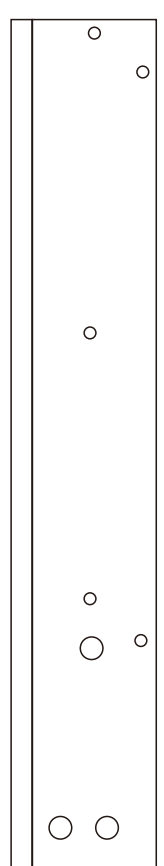
25 -x1



for 918S - LS

26 -x1

or



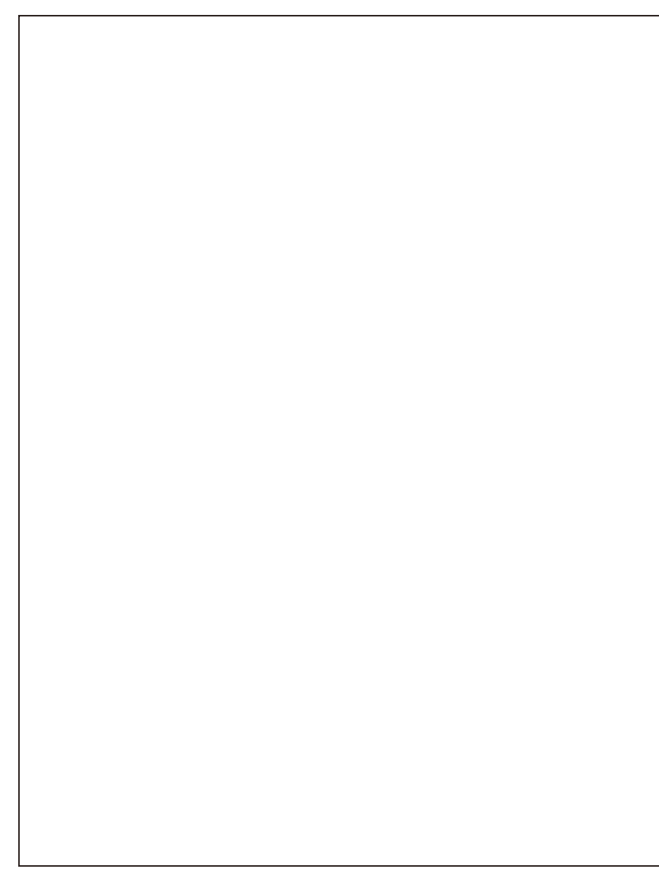
for 918S and 918S - L



for 918S - LS

27 -x1

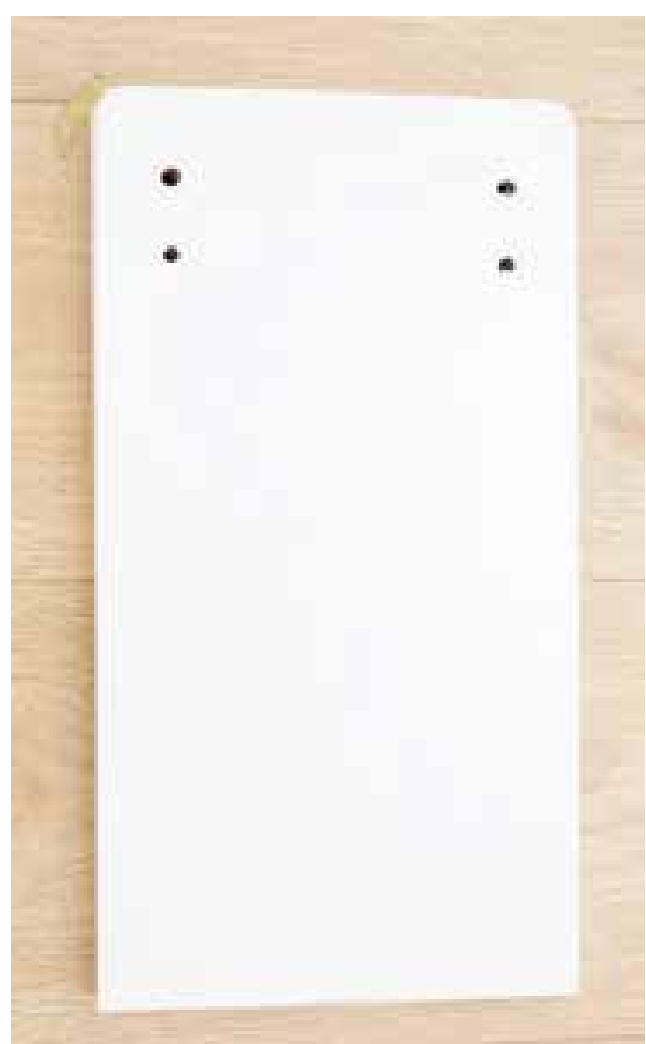
or



for 918S and 918S - L



28 -x1



29 -x2



30 -x2



31 -x1

HARDWARE



A	SCREW & PLASTIC LOCK	X46
---	----------------------	-----



B	SCREW & METAL LOCK	X46
---	--------------------	-----



C	SCREW	X8
---	-------	----



D	SCREW	X16
---	-------	-----



E	HANDLE	X4
---	--------	----



F	PLASTIC SHOE	X10
---	--------------	-----



G	L PLATE	X2
---	---------	----



J	RAIL	X2
---	------	----



K	SOCKET	X1
---	--------	----

ONLY FOR 918S-LS



L	HAIR DRYER BRACKET	X1
---	--------------------	----

ONLY FOR 918S-LS

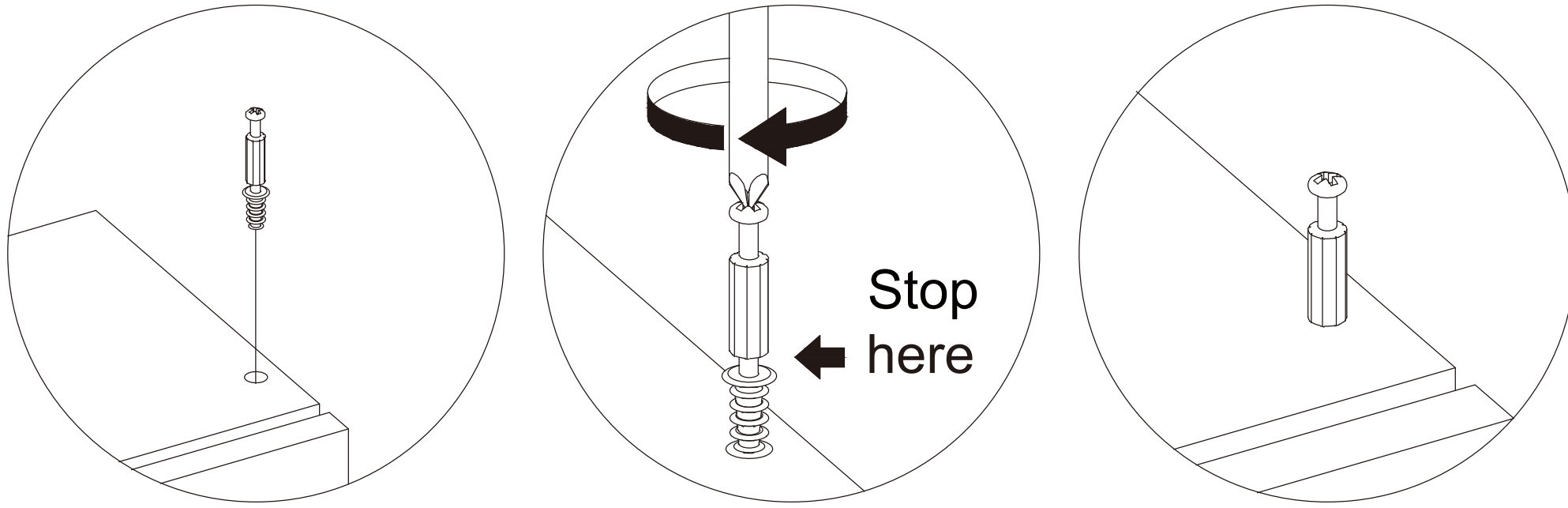


P	POWER PLUG	X1
---	------------	----

FOR 918S-L AND 918S-LS

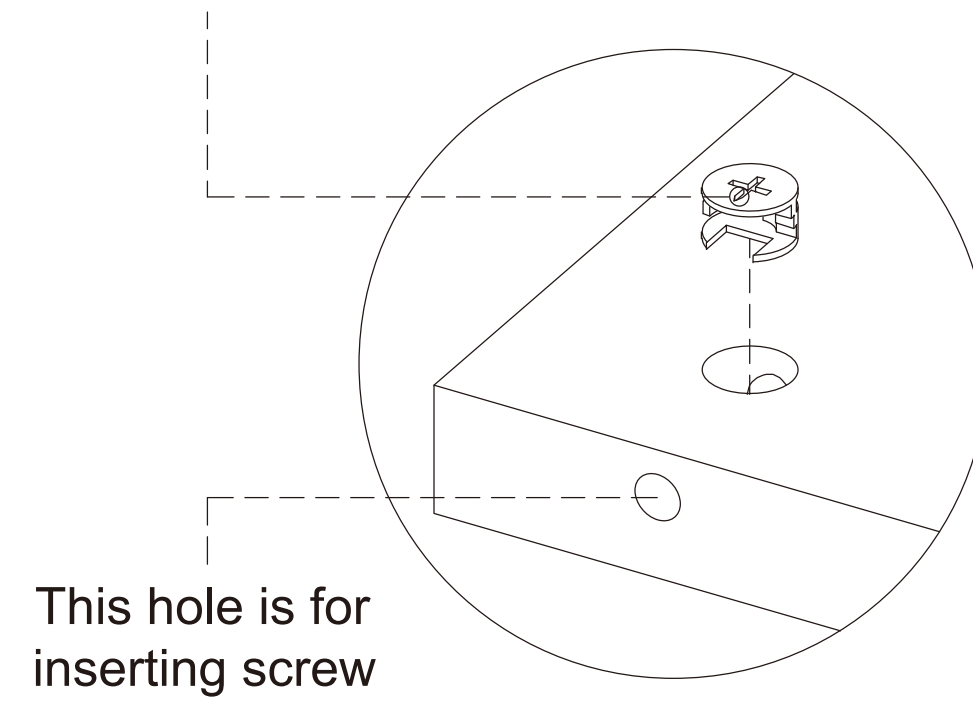
1. Screw installation method

When the screw is installed, please keep it in line with the board, and do not tighten it too tightly

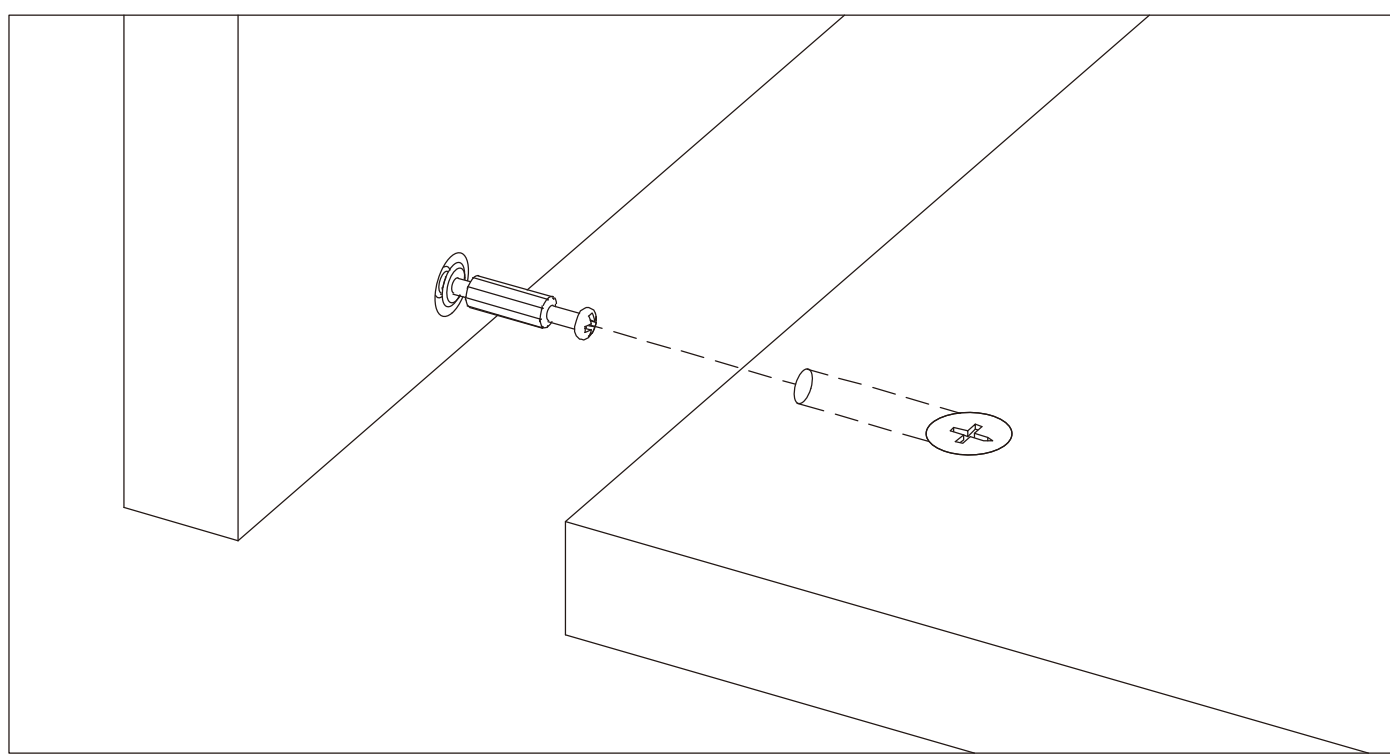


2. Check the Nut direction

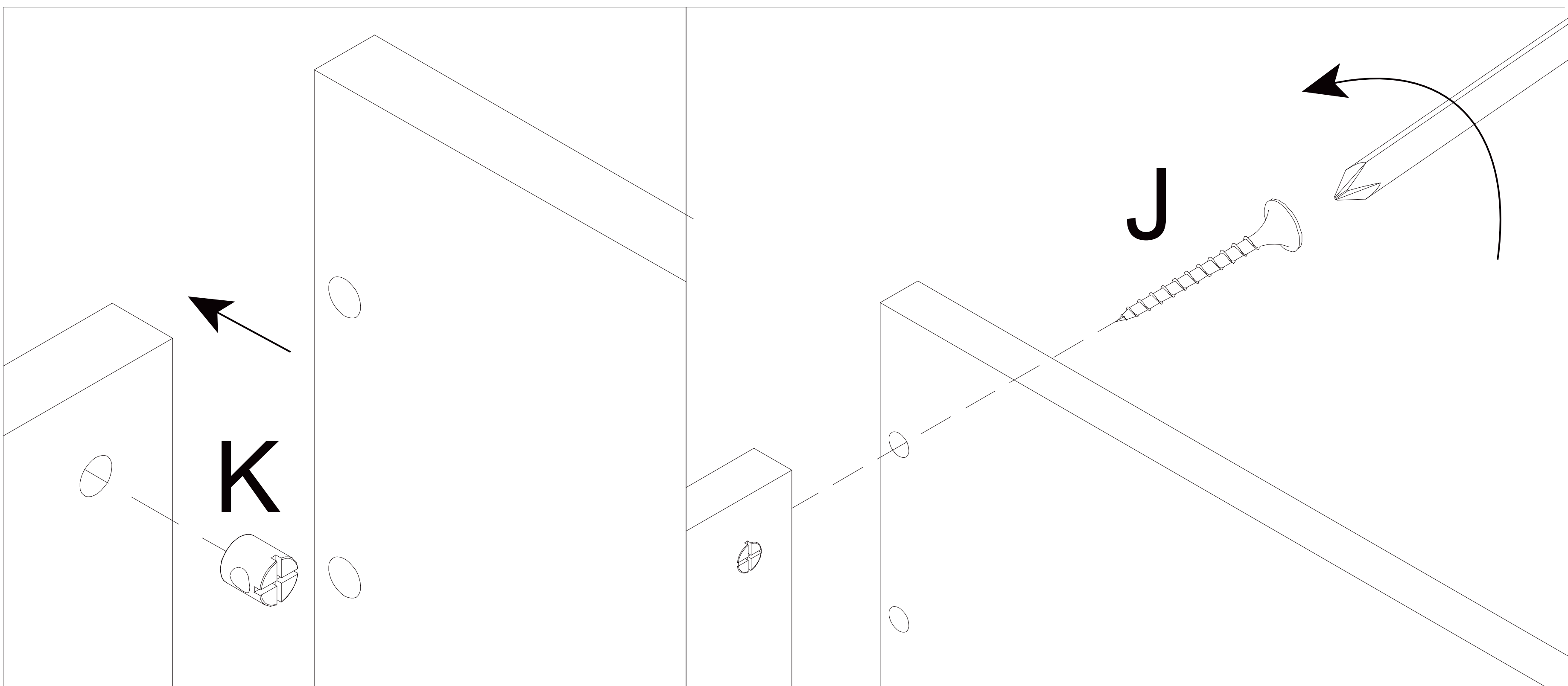
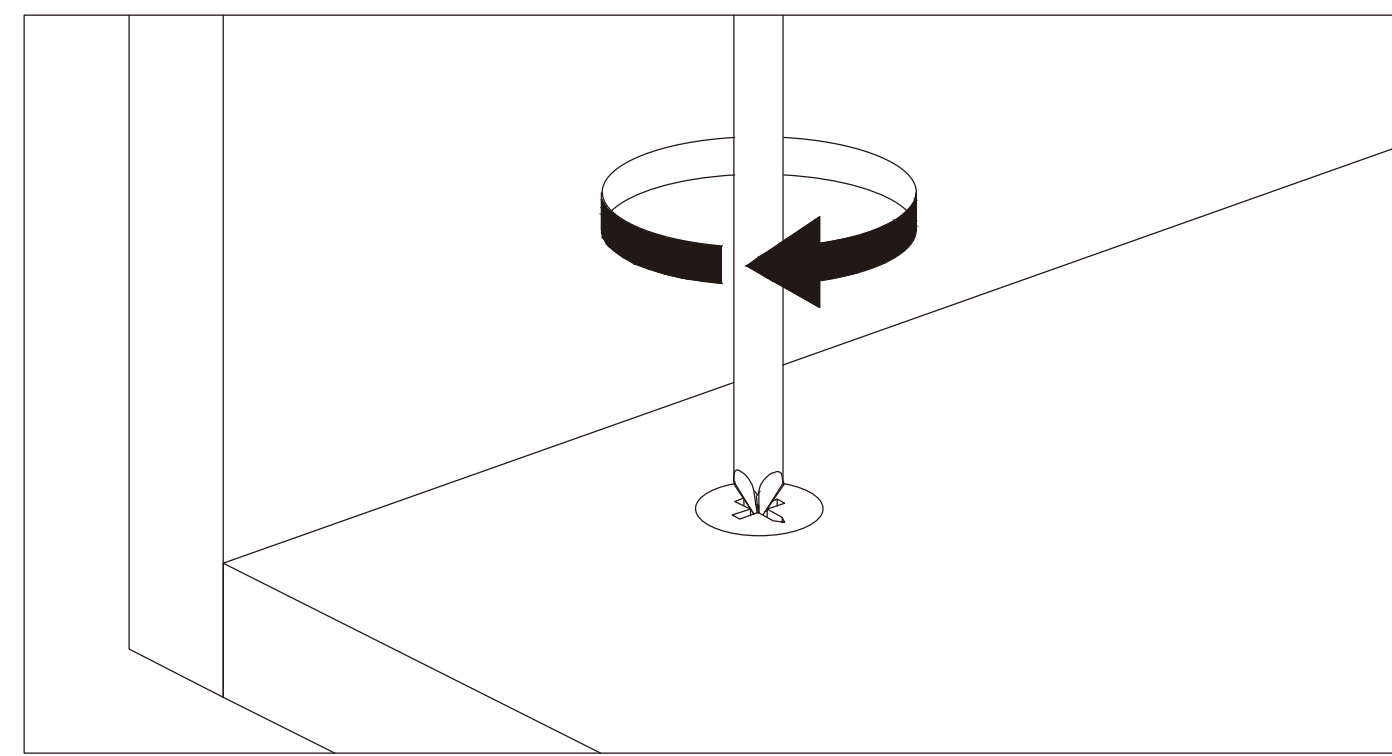
This direction of the marked nut is consistent with the direction in which the screw is inserted



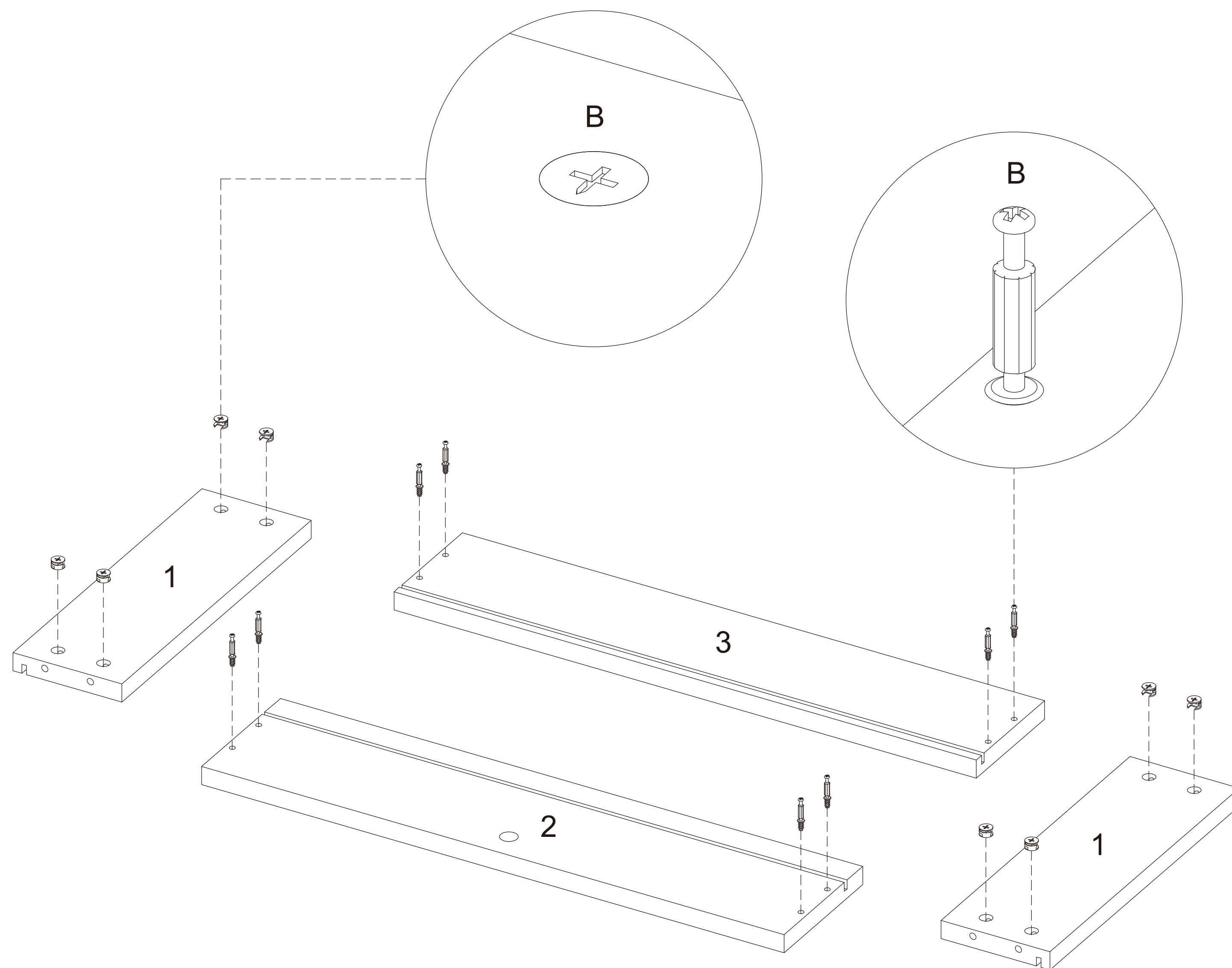
3. Installation on the board with fixing screws



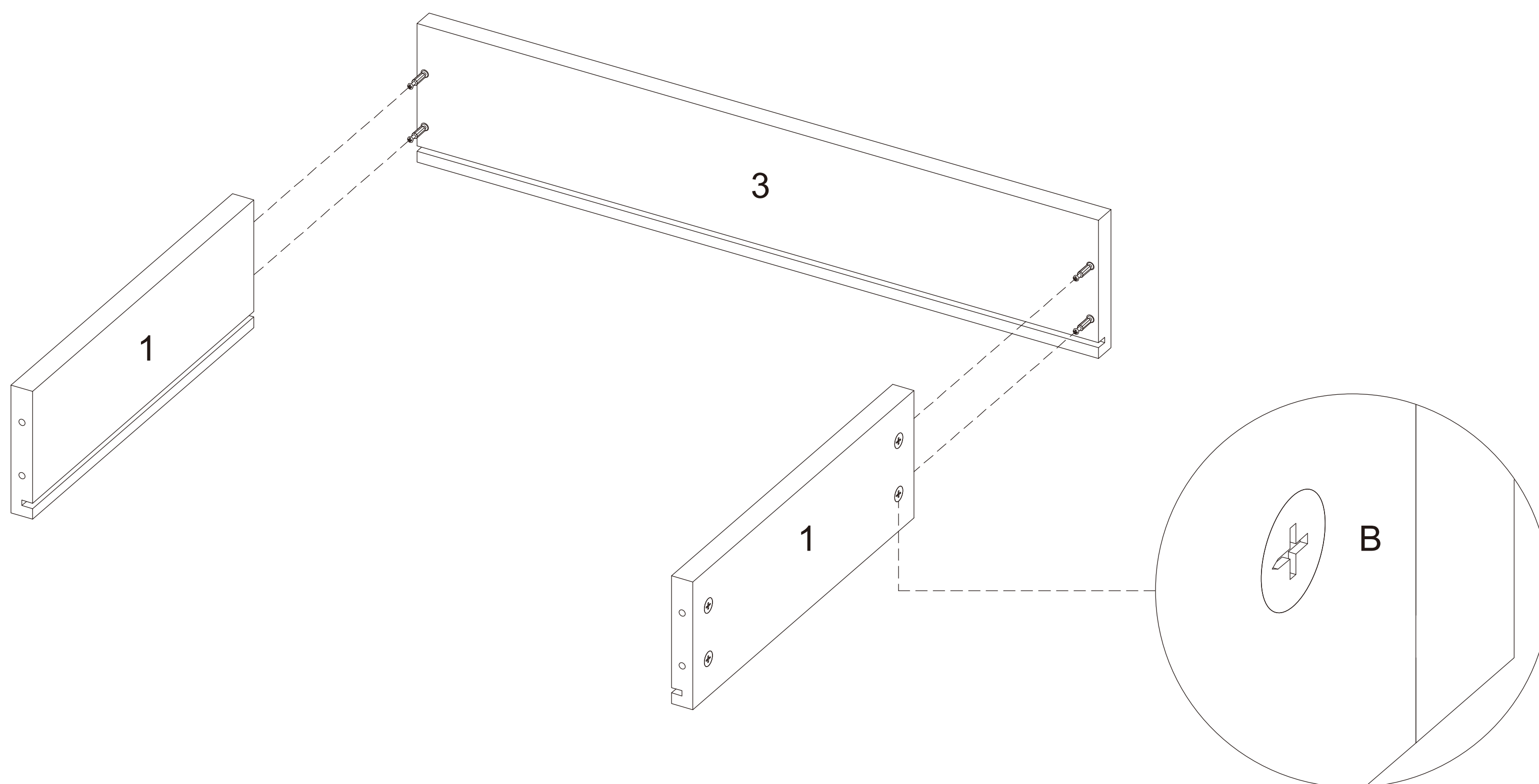
3. Rotate slowly until it stops



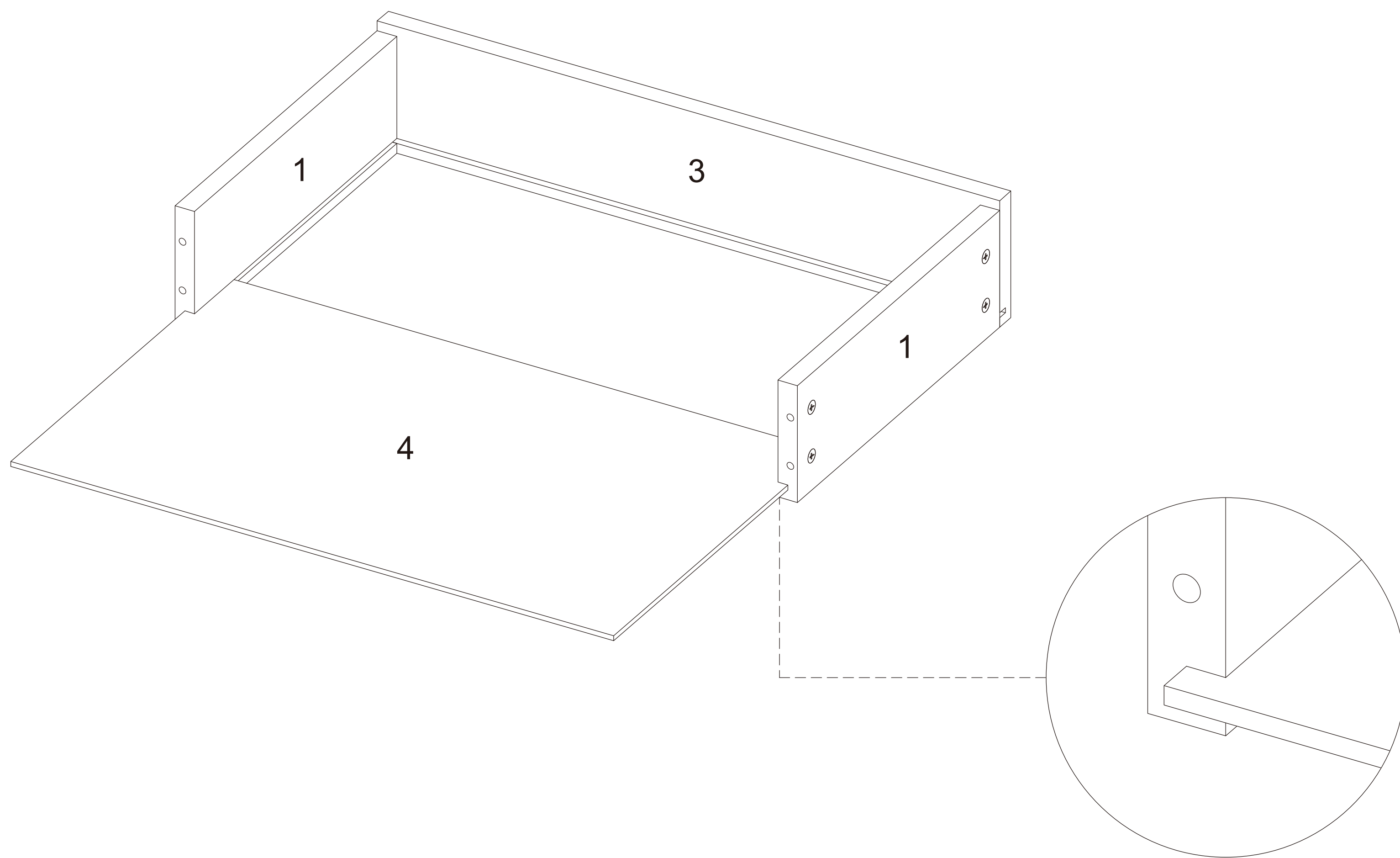
Step 01 pick up ①x2, ②x1, ③x1, ④x1



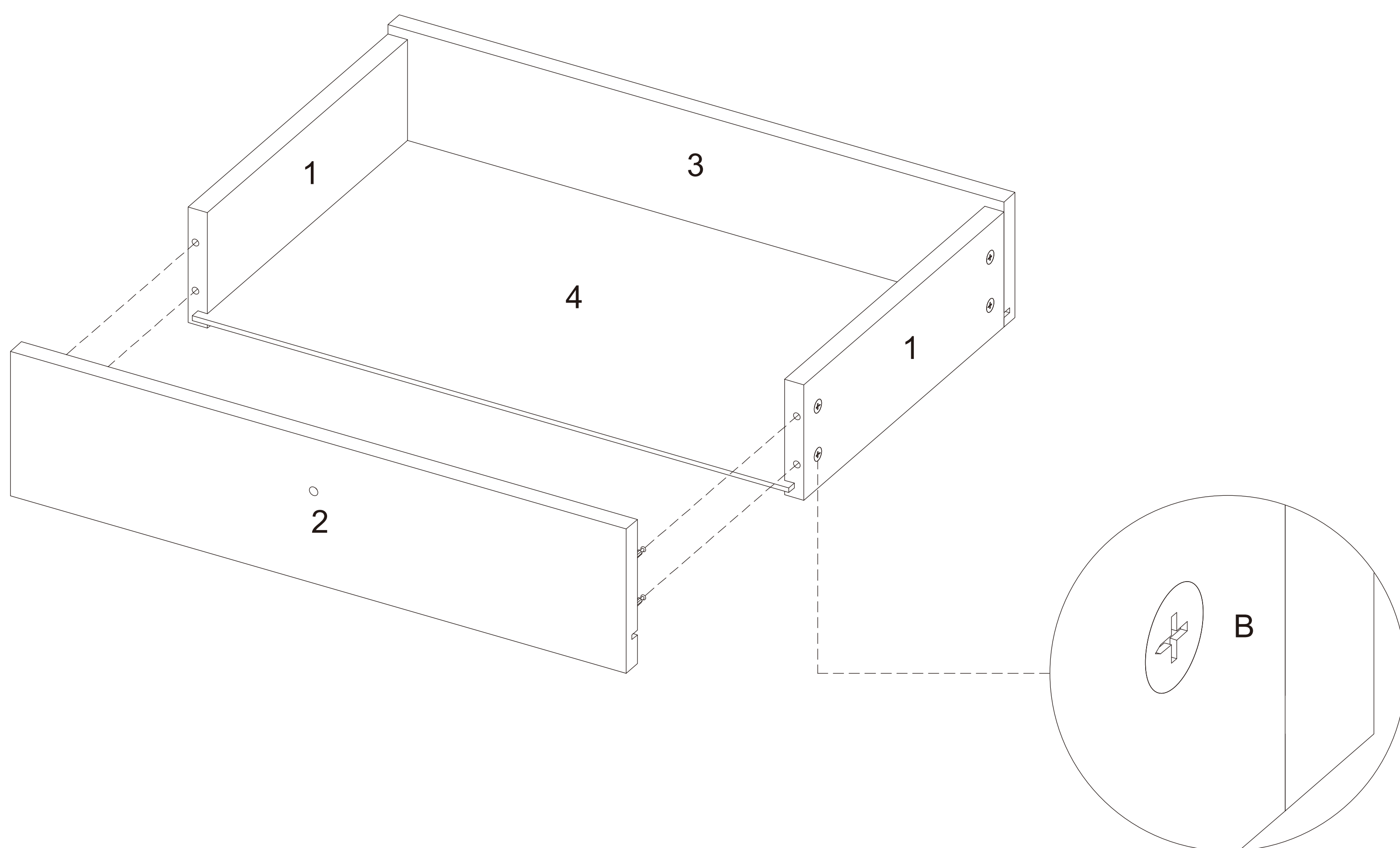
Step 02



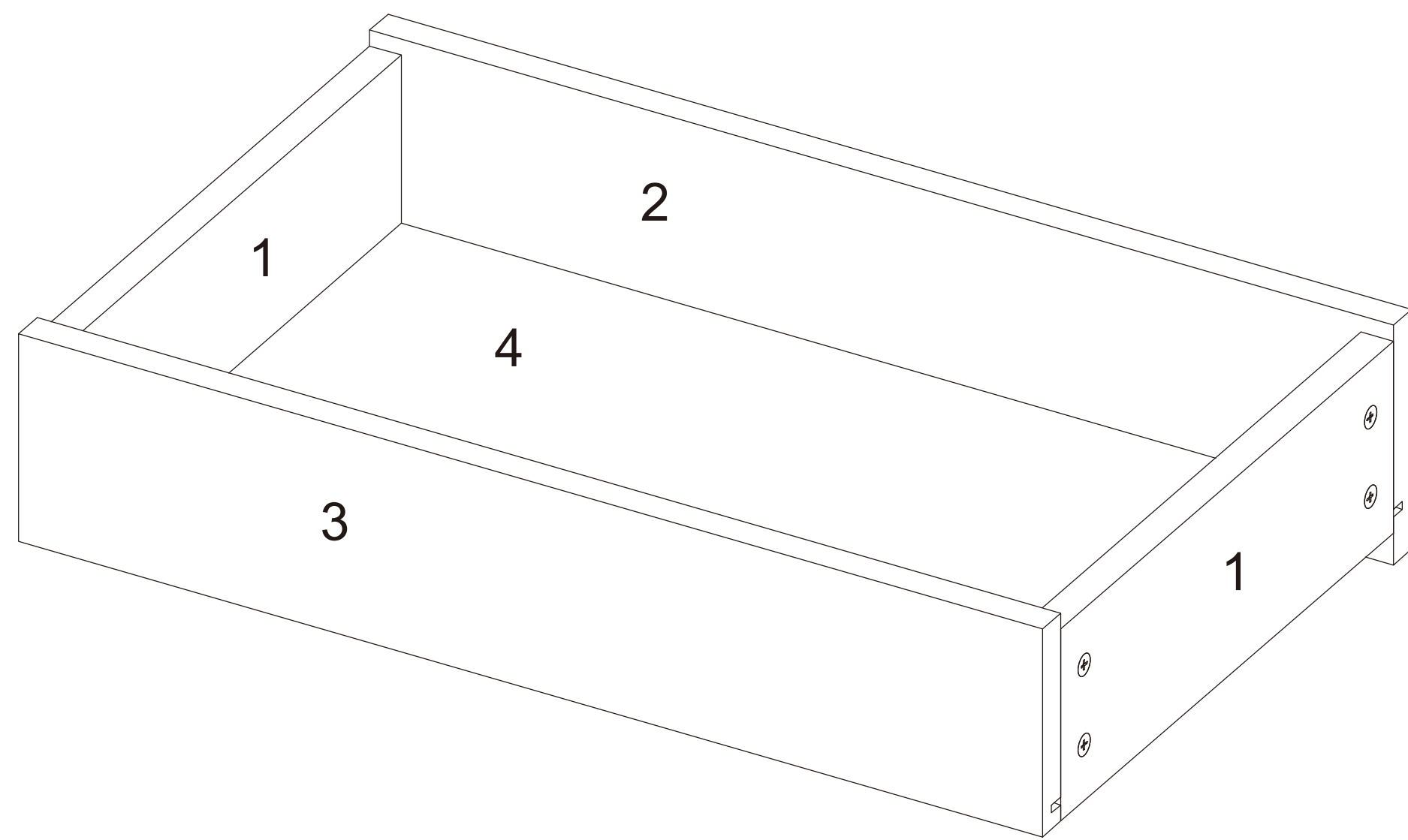
Step 03



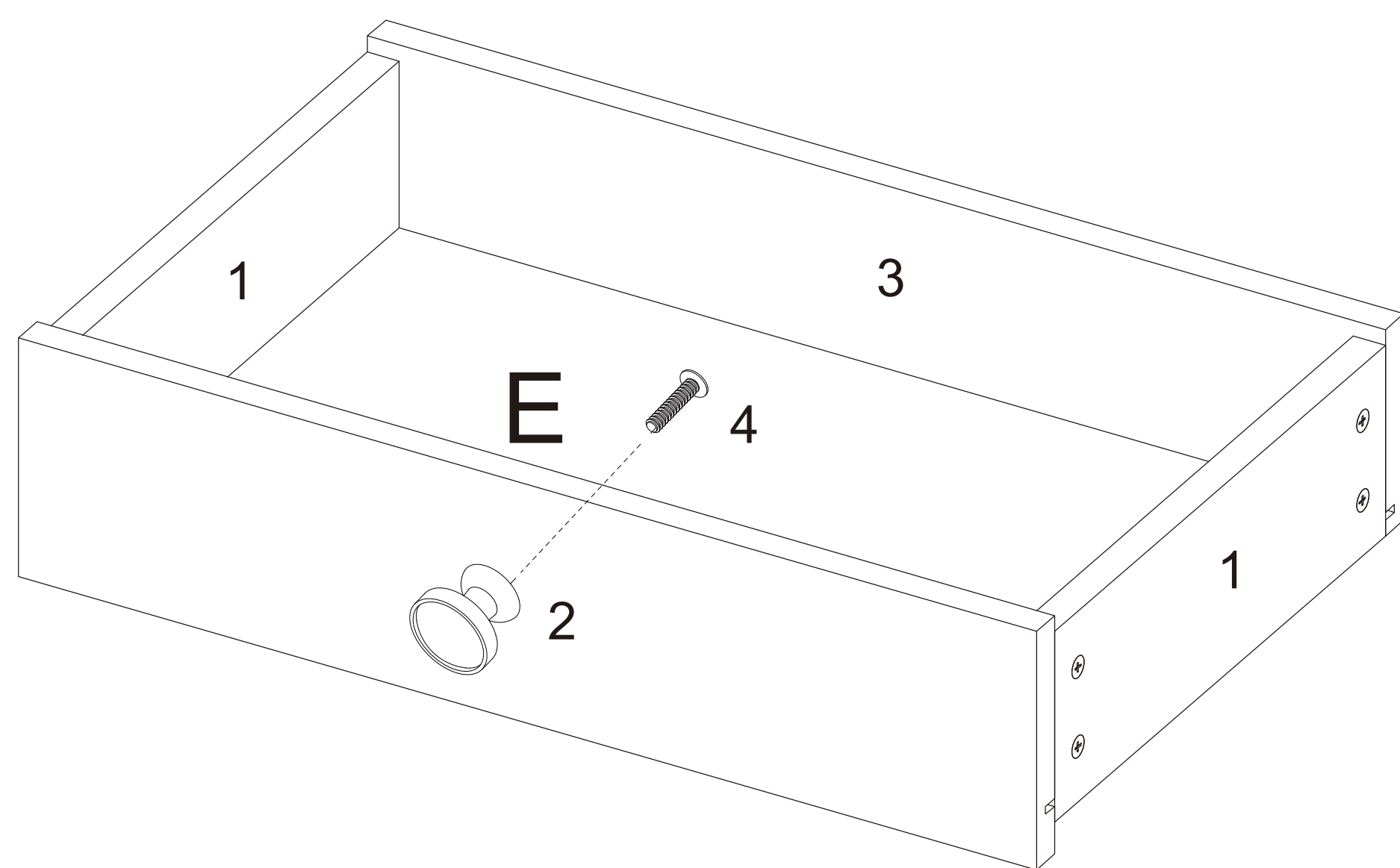
Step 04



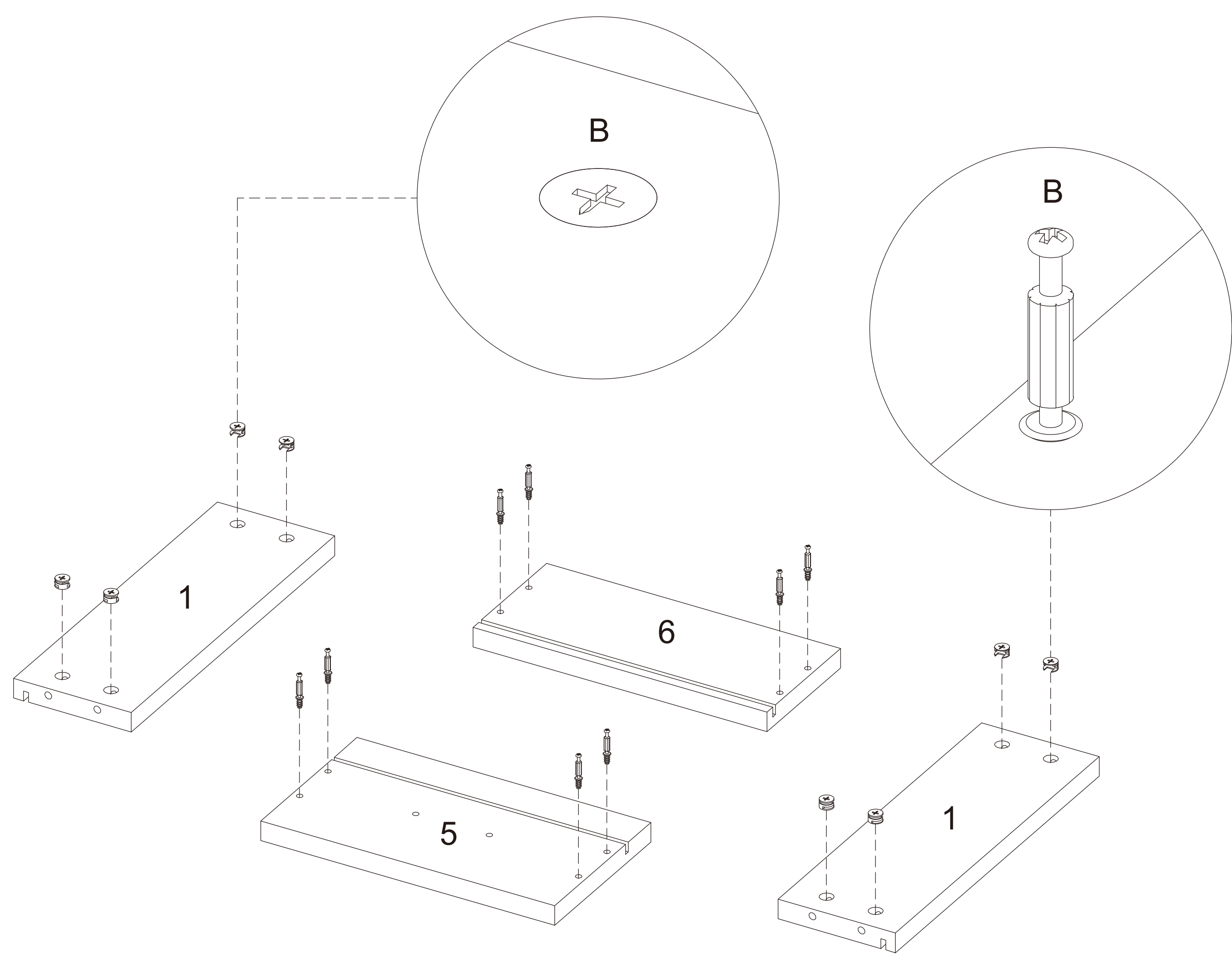
Step 05



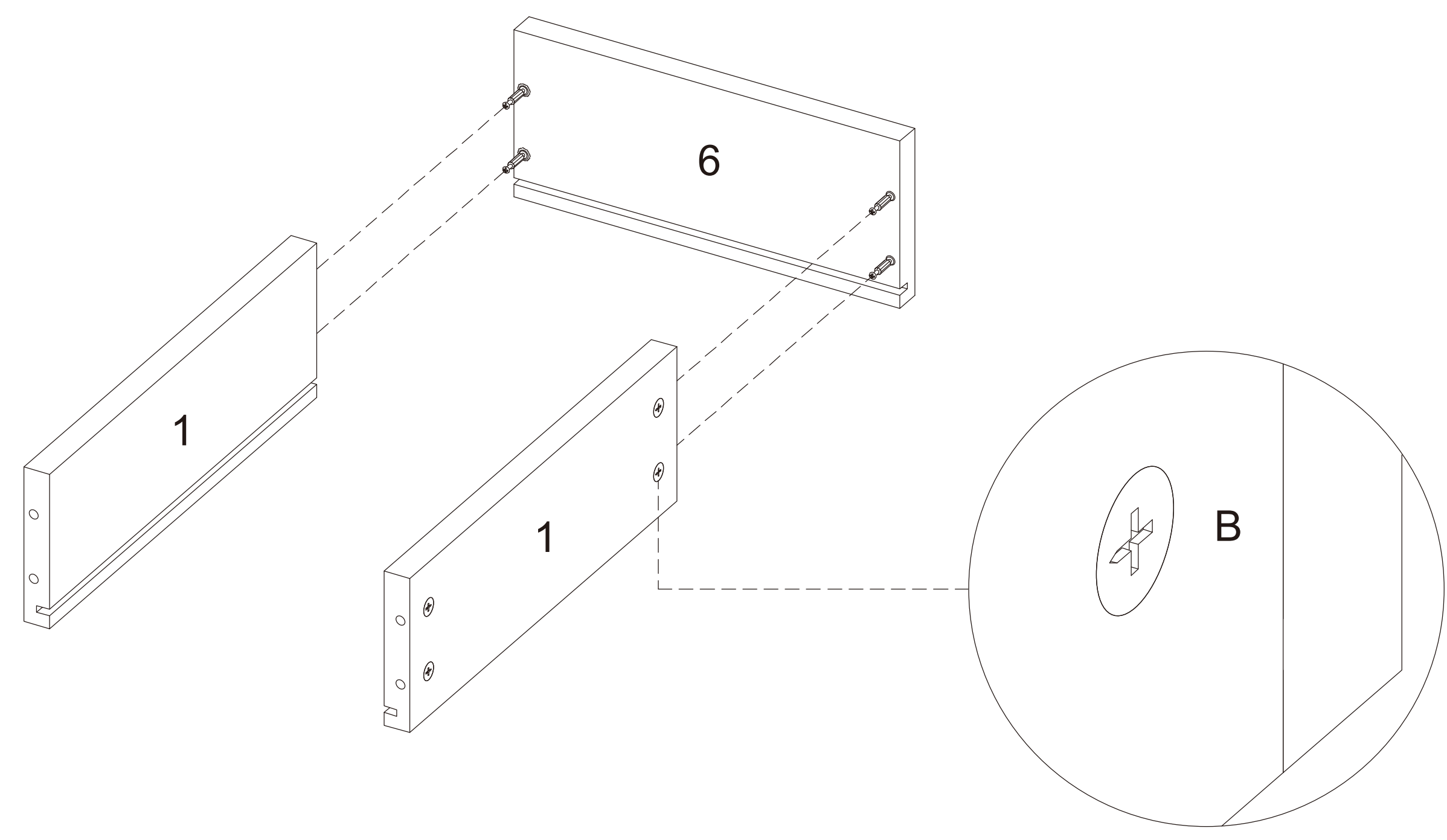
Step 06



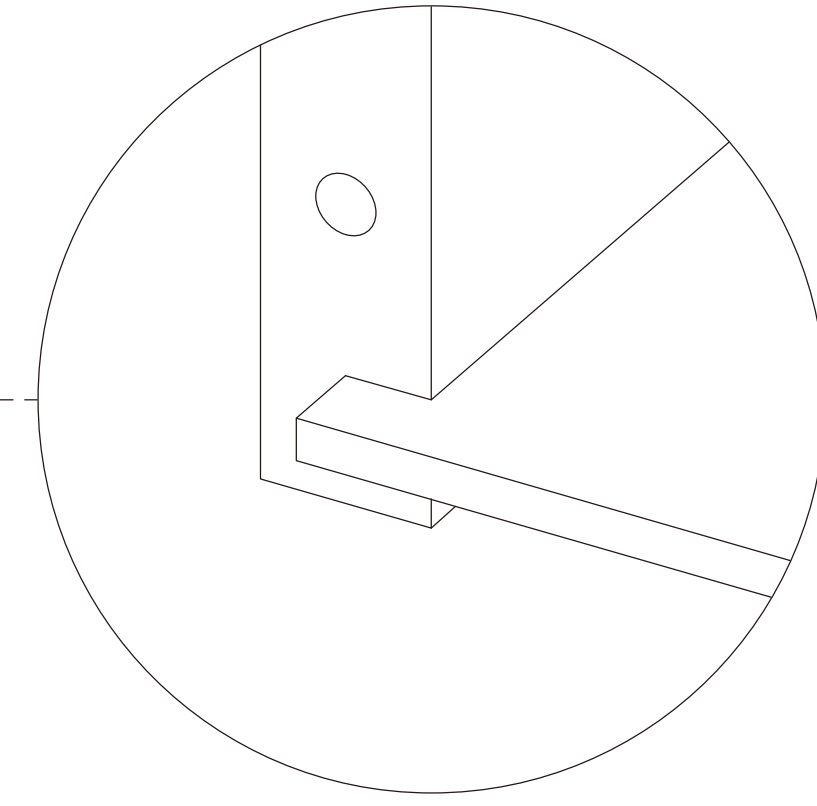
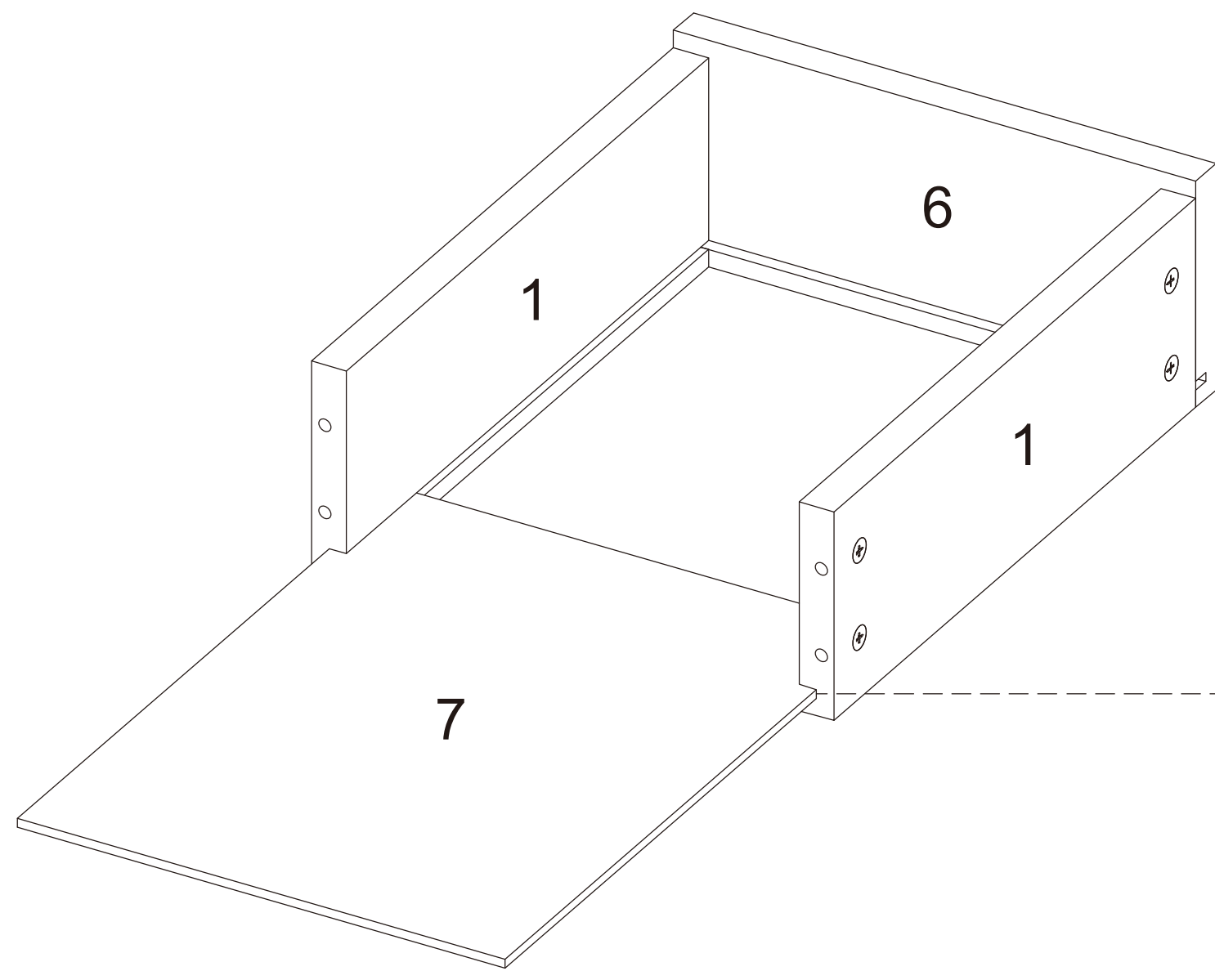
Step 07 x3 pick up ①x6, ⑤x3, ⑥x3, ⑦x3



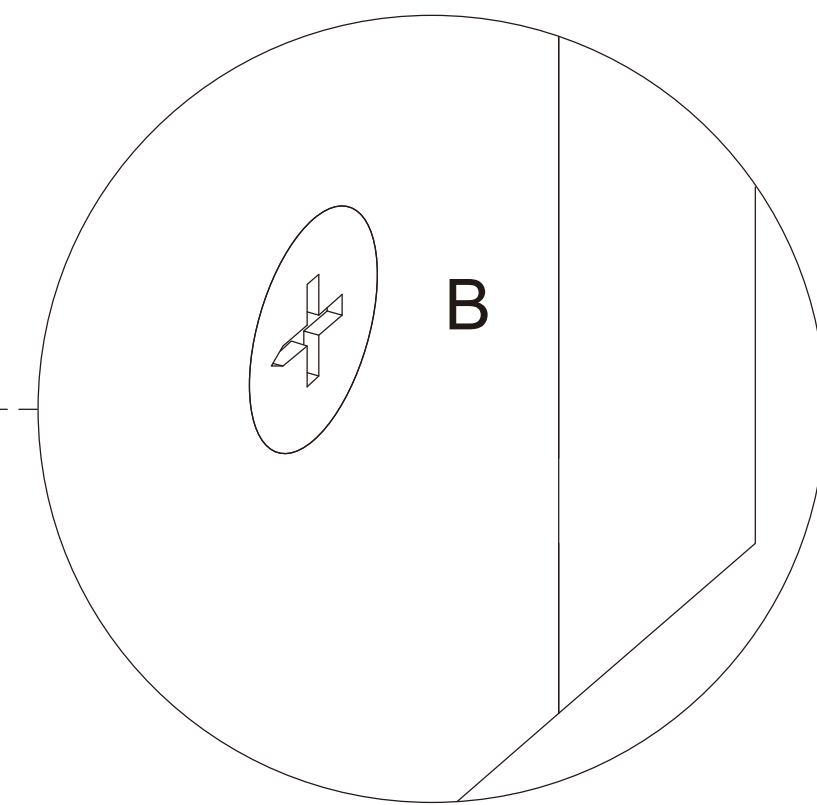
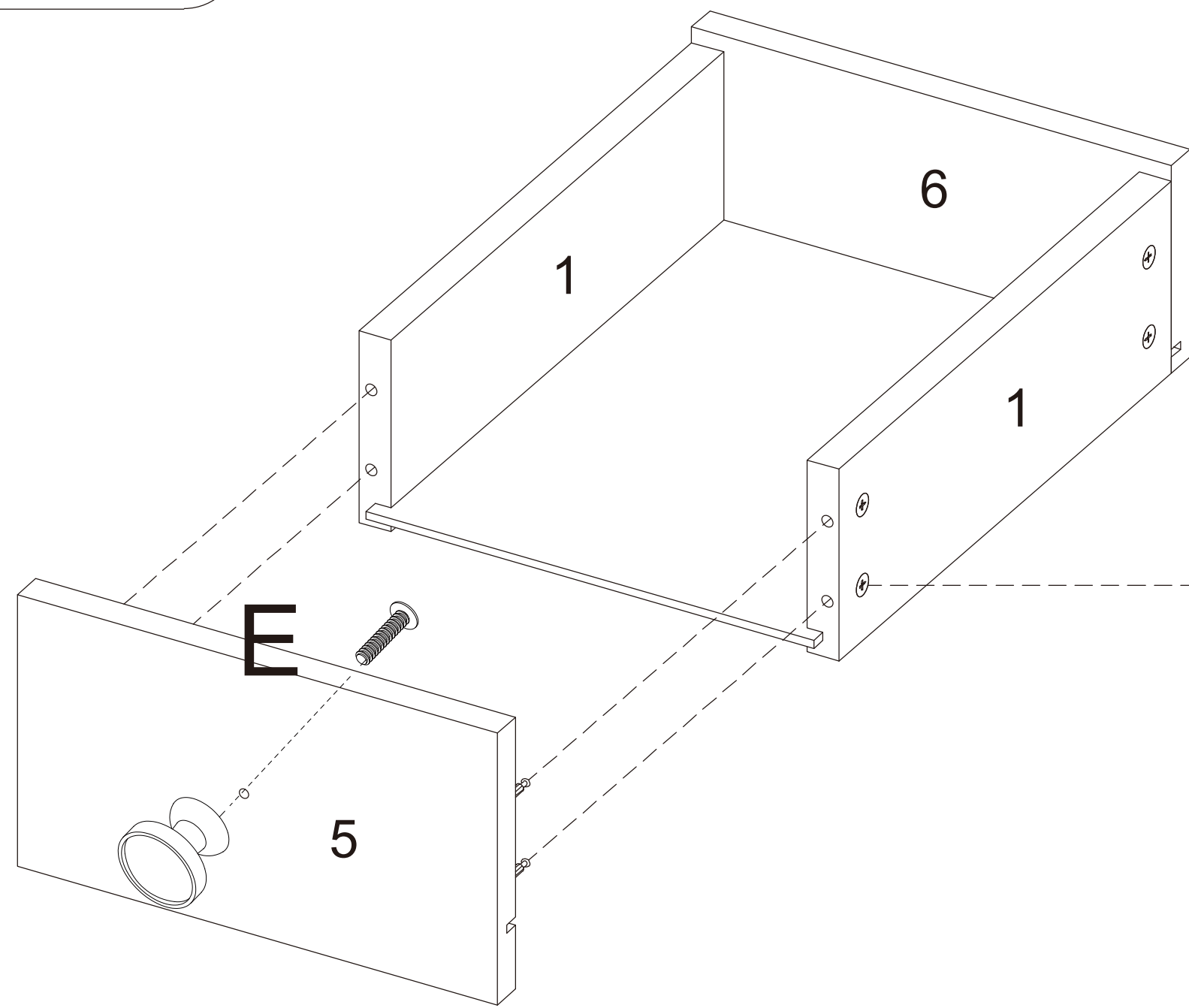
Step 08 x3



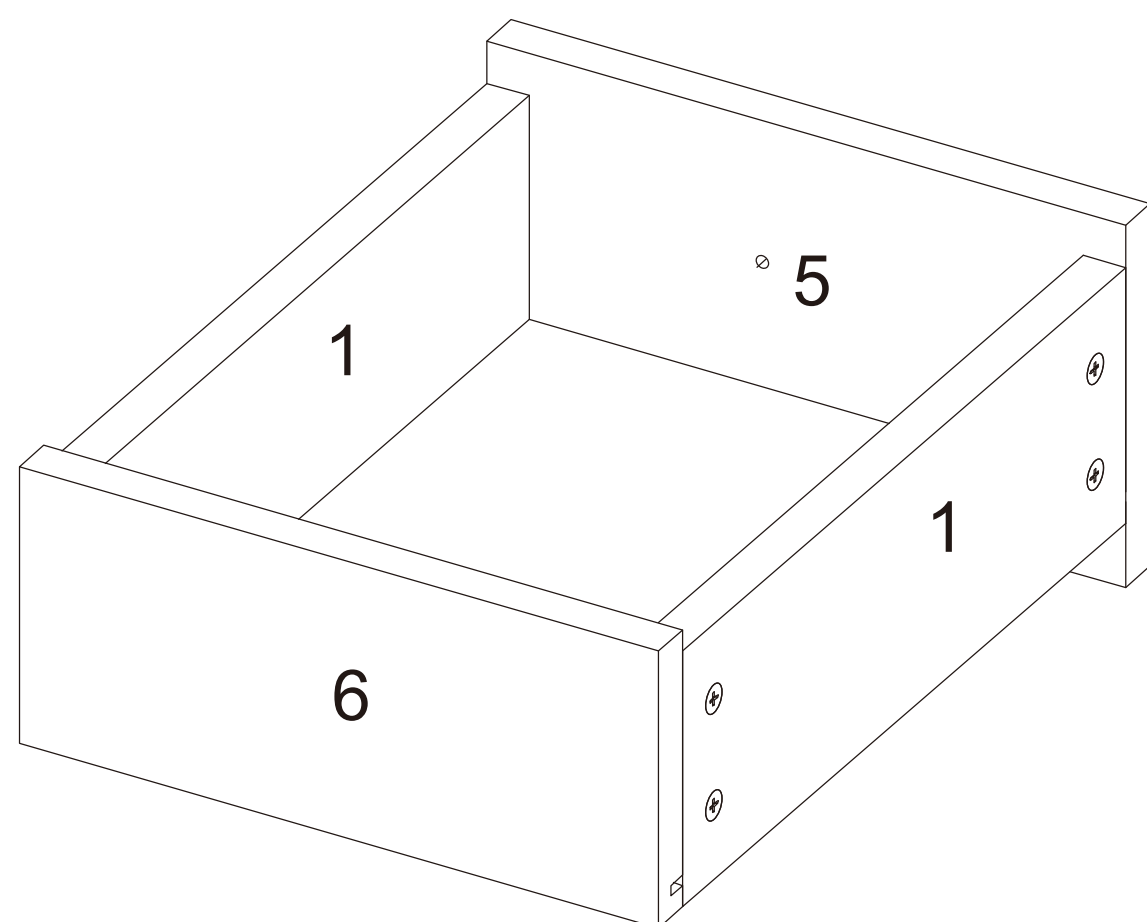
Step 09 x3



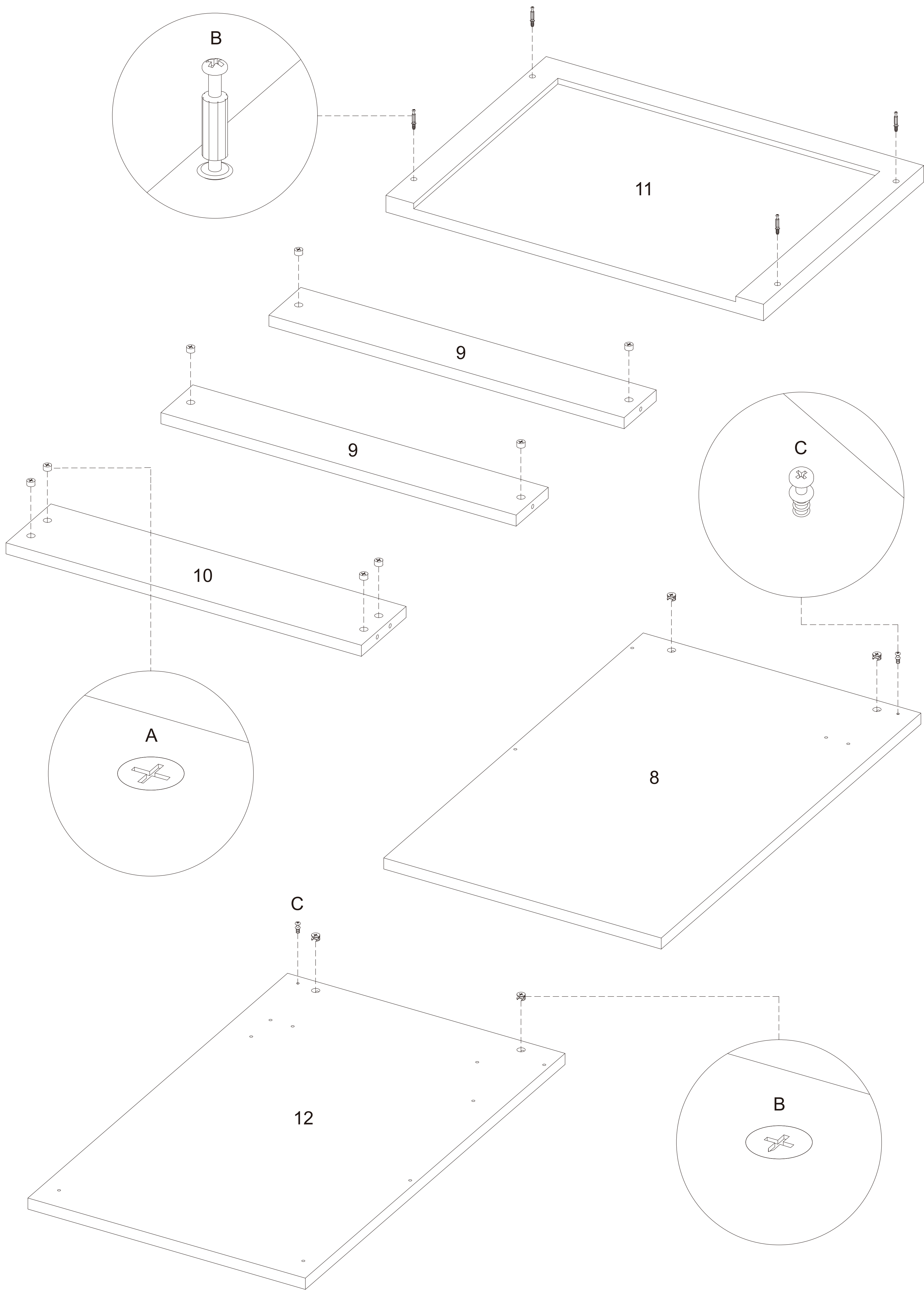
Step 10 x3



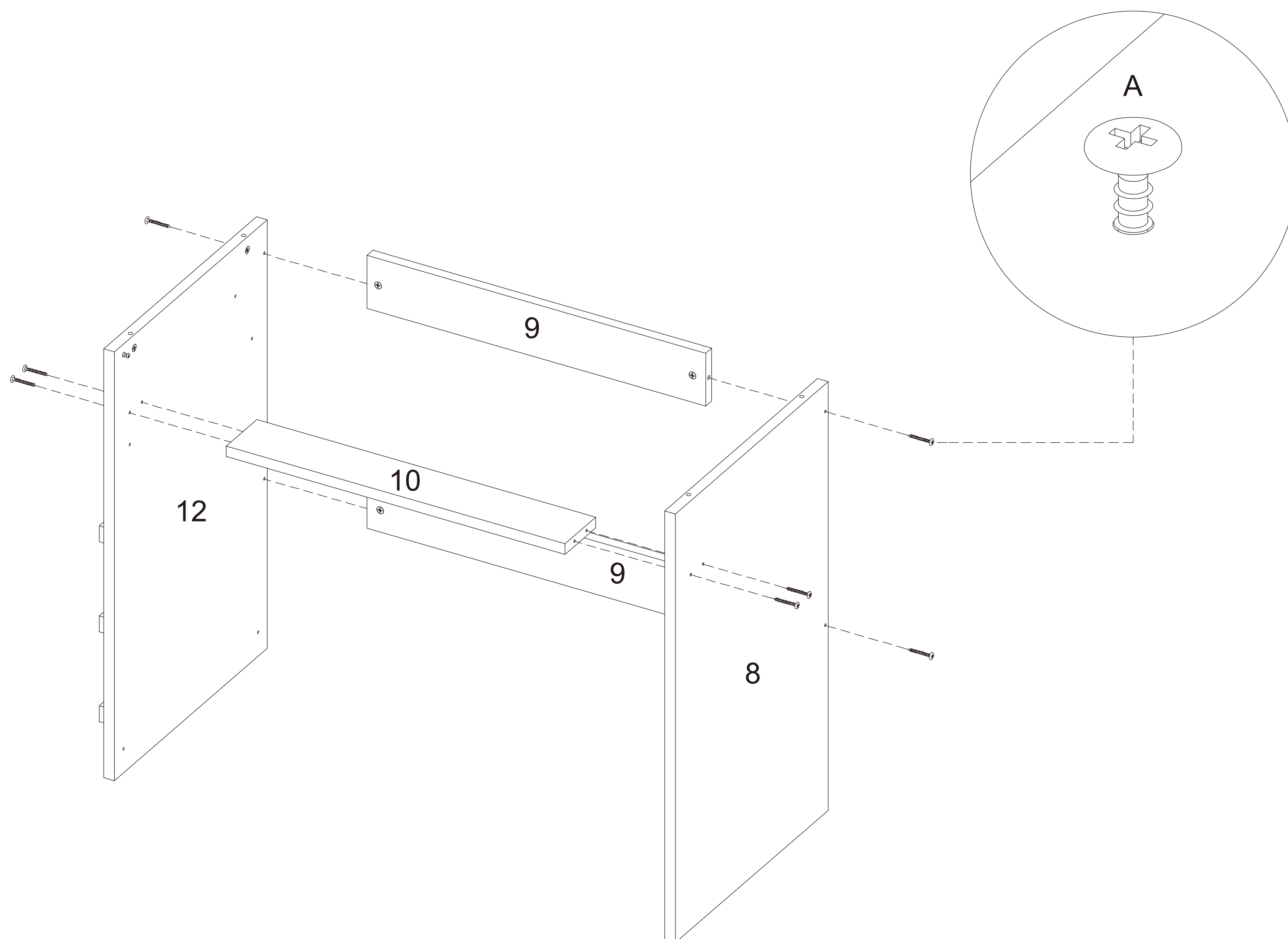
Step 11 x3



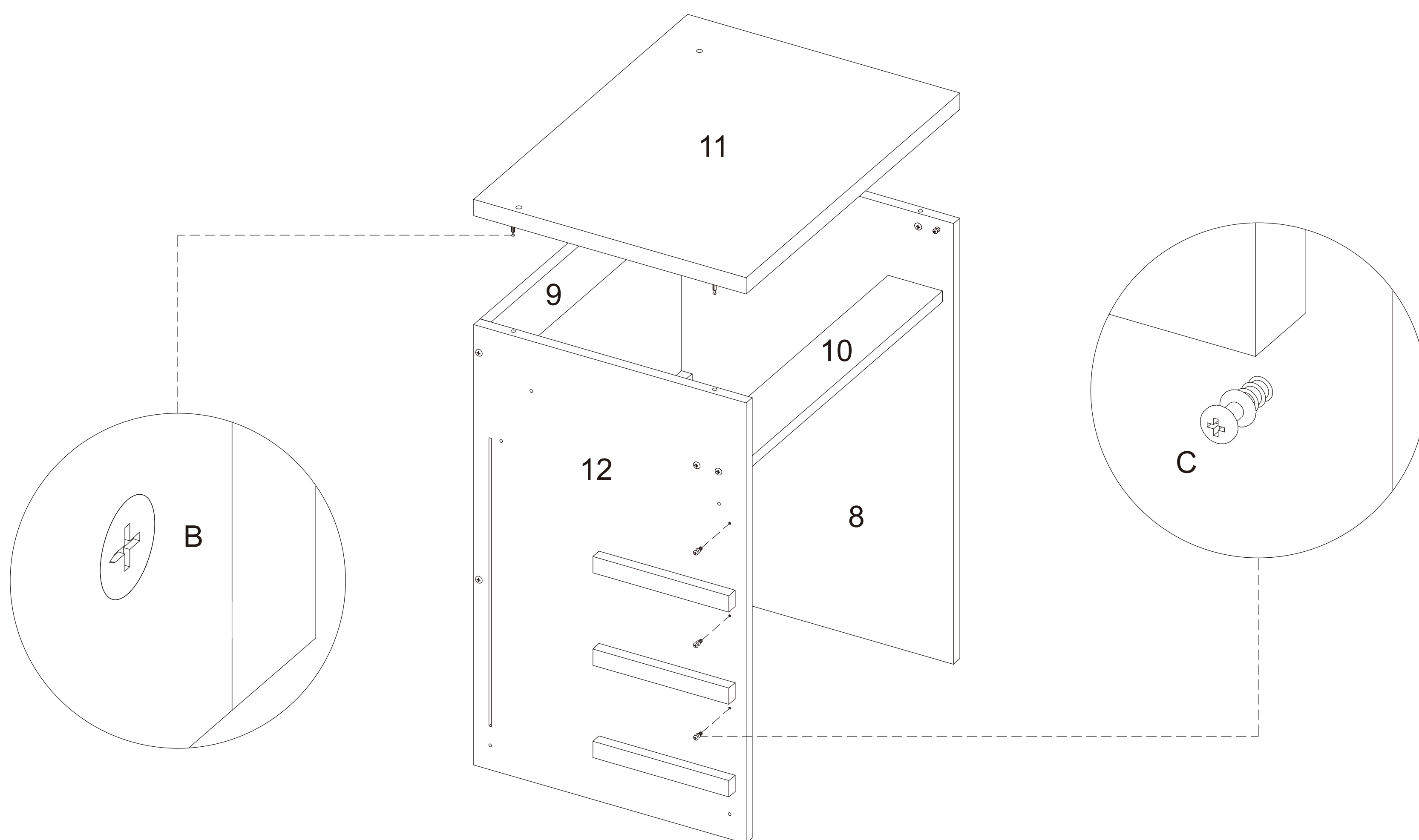
Step 12 pick up ⑧ x1, ⑨ x2, ⑩ x1, ⑫ x1, ⑪ x1



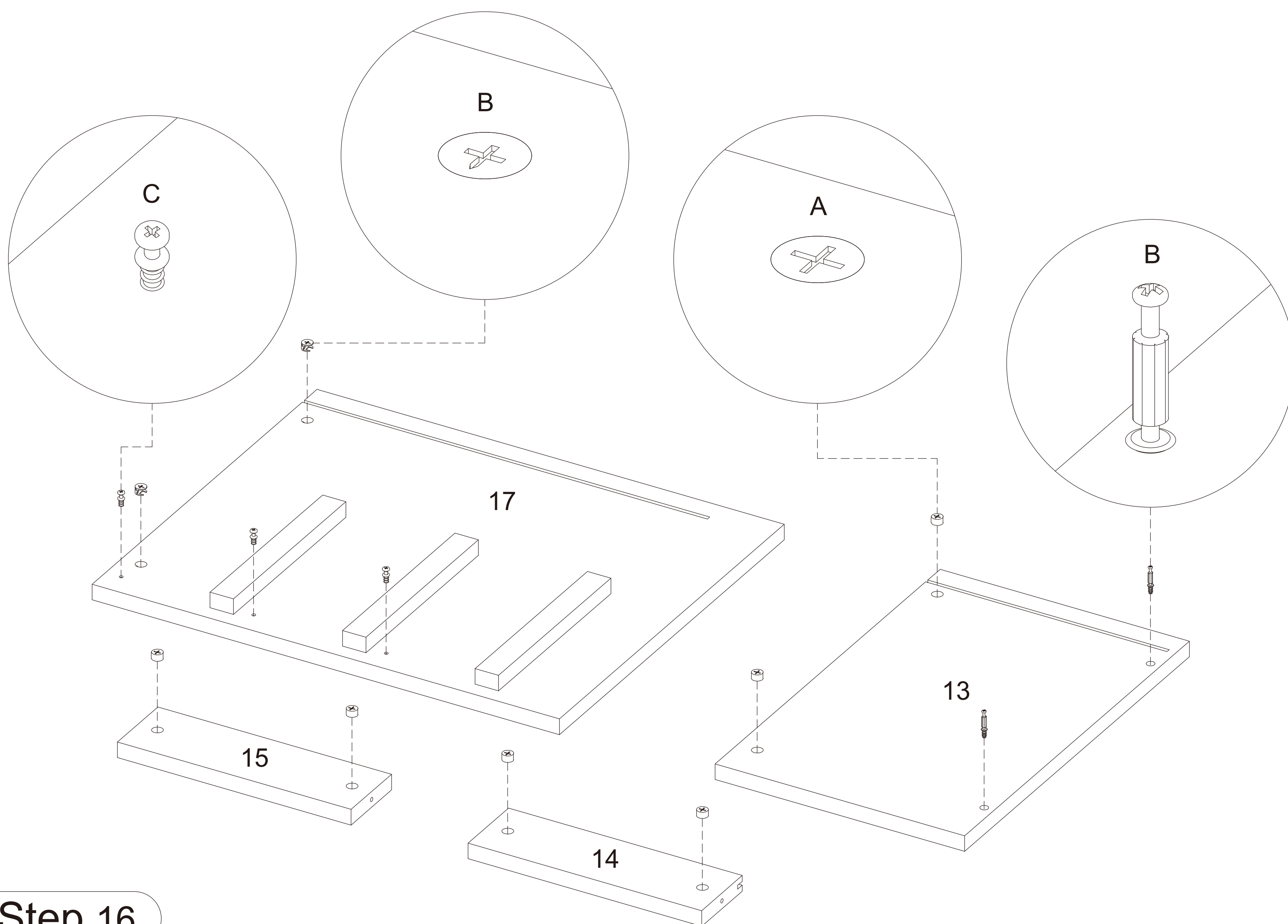
Step 13



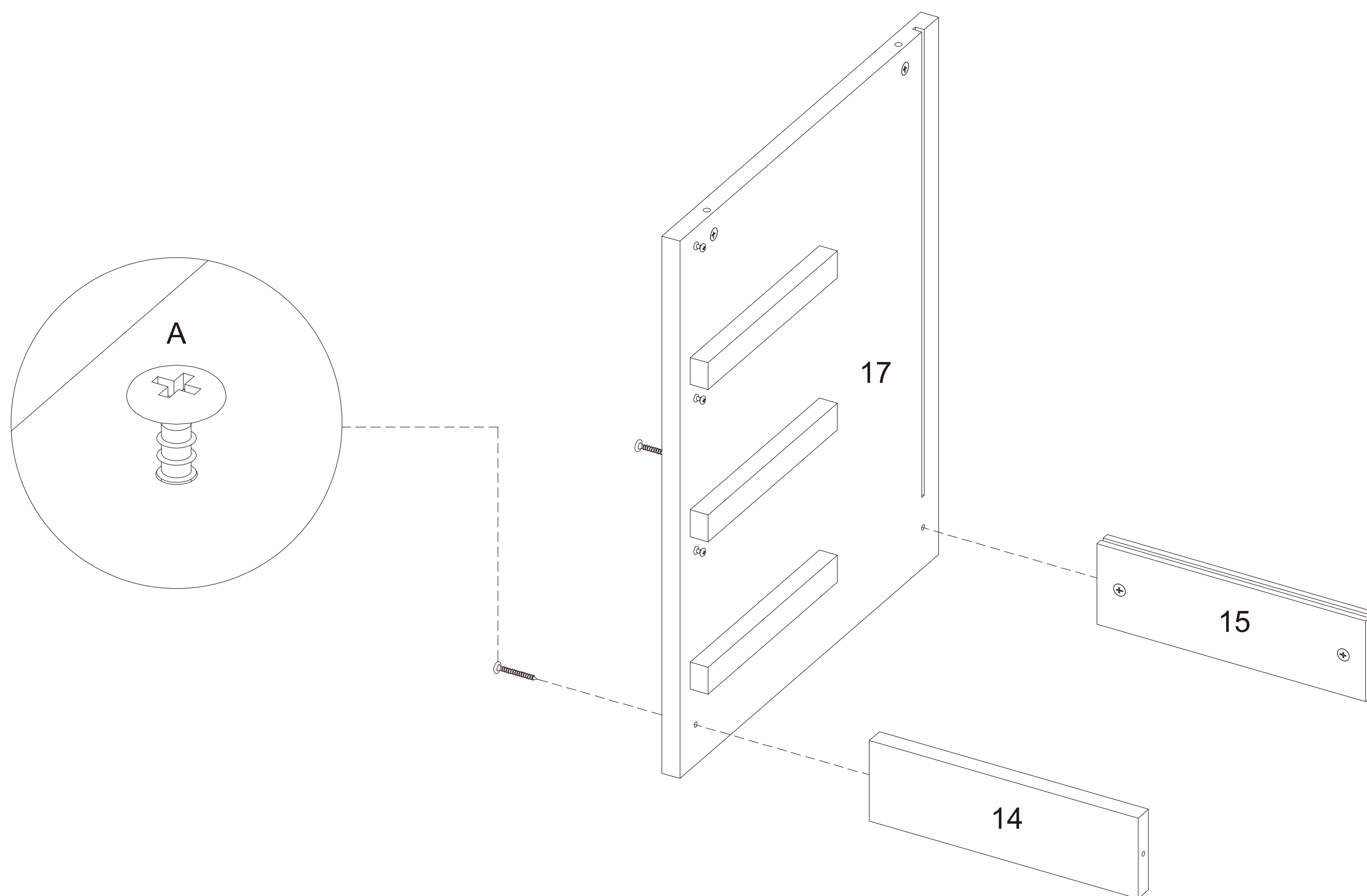
Step 14



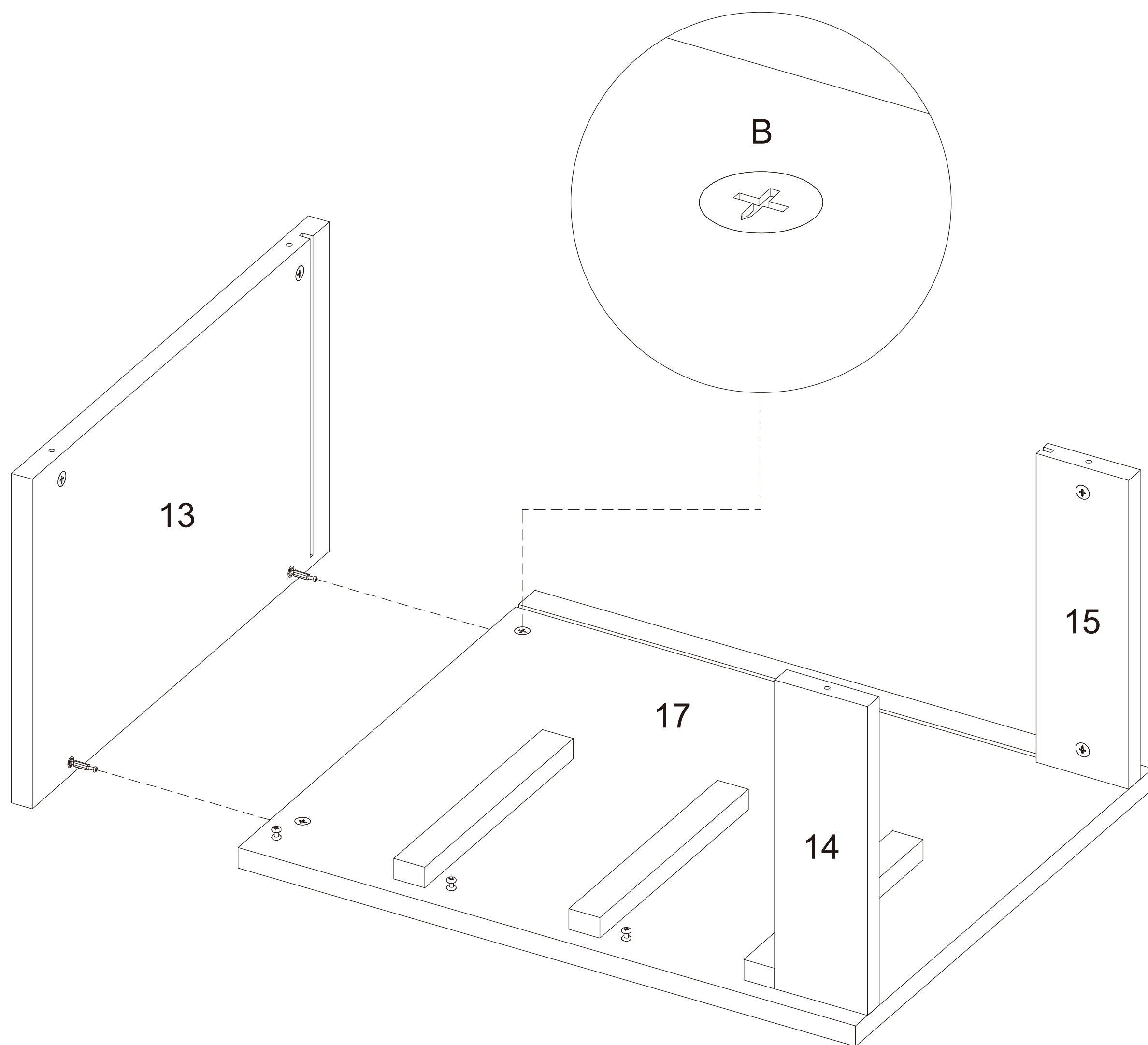
Step 15 pick up 13 x1, 14 x1, 15 x1, 16 x1, 17 x1



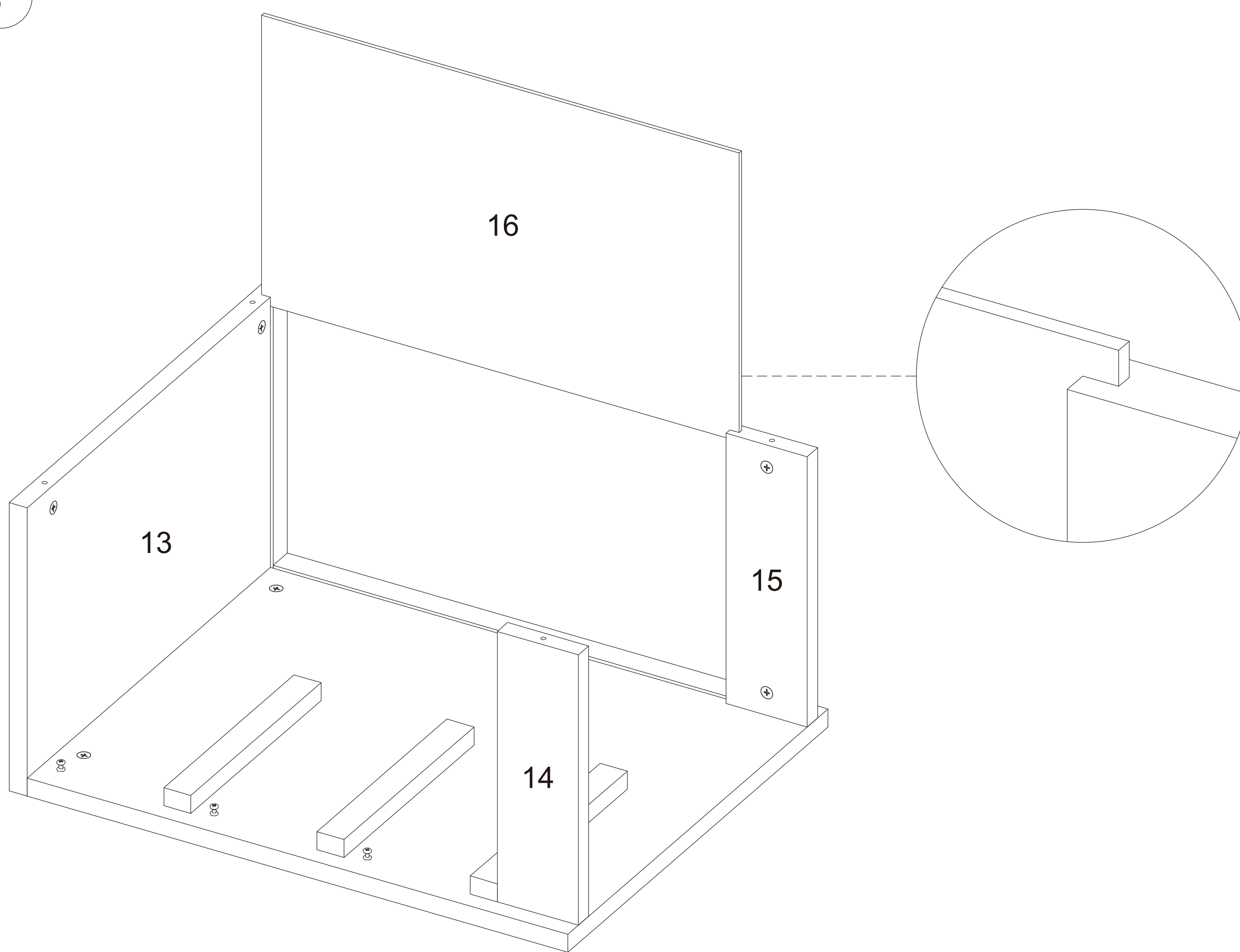
Step 16



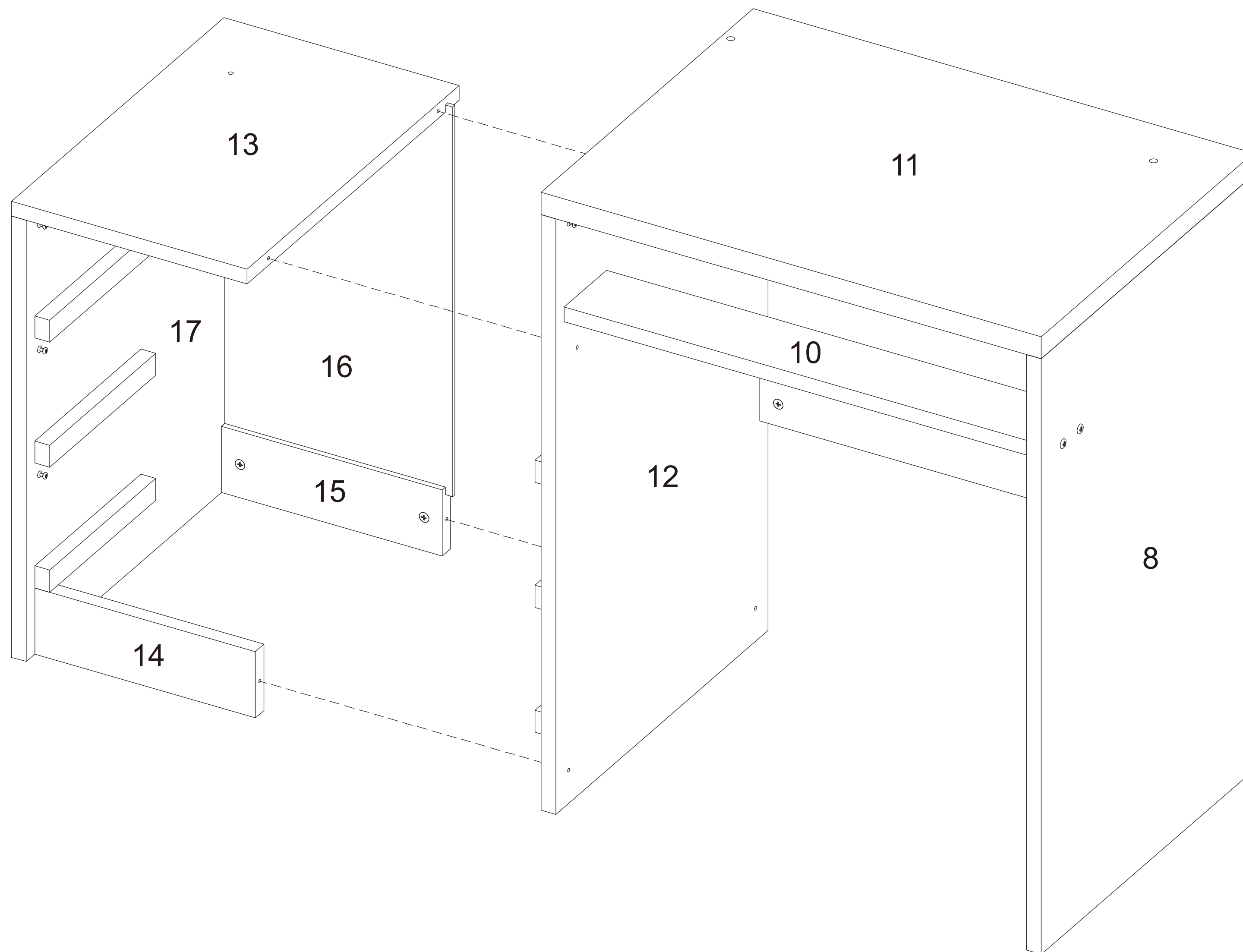
Step 17



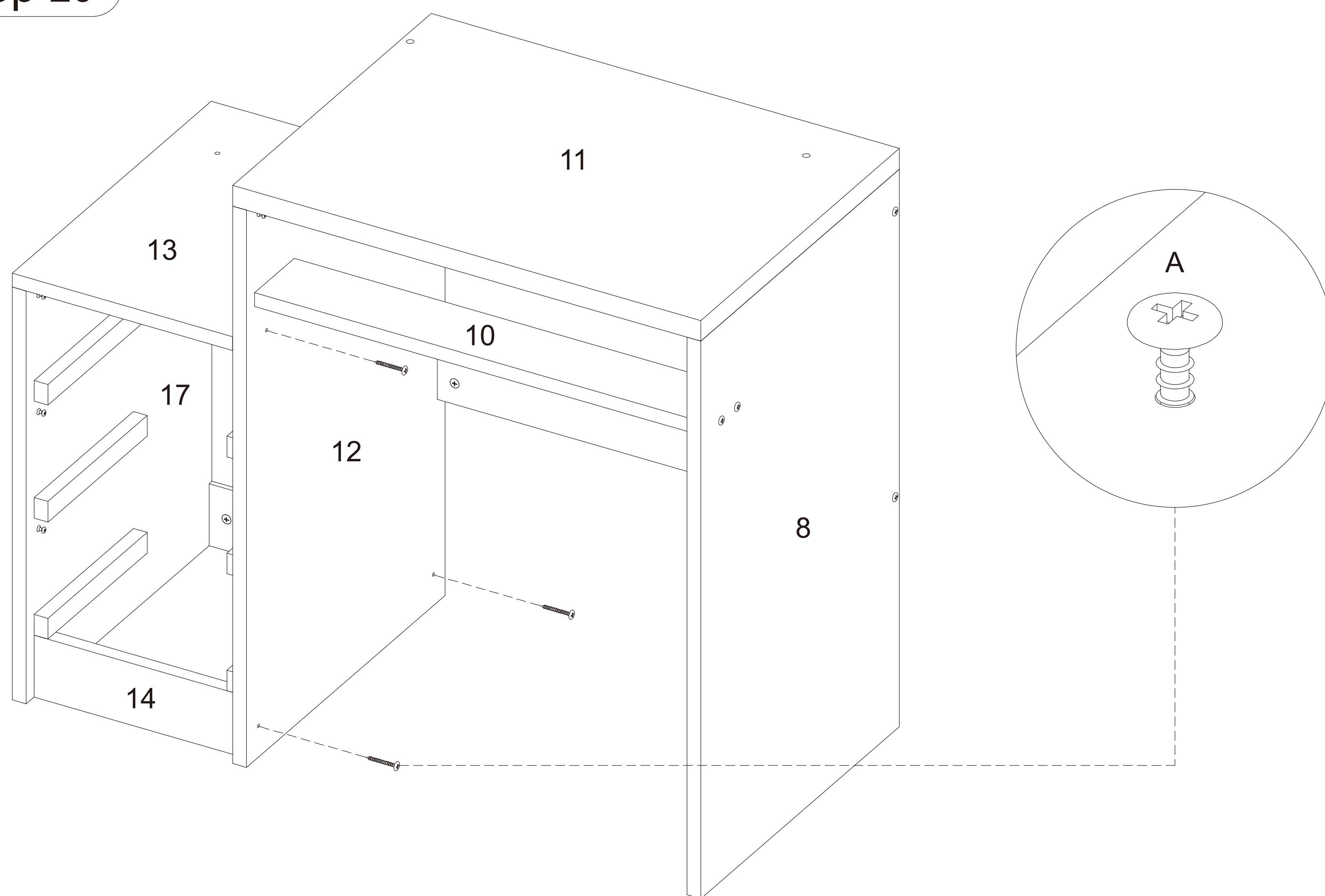
Step 18



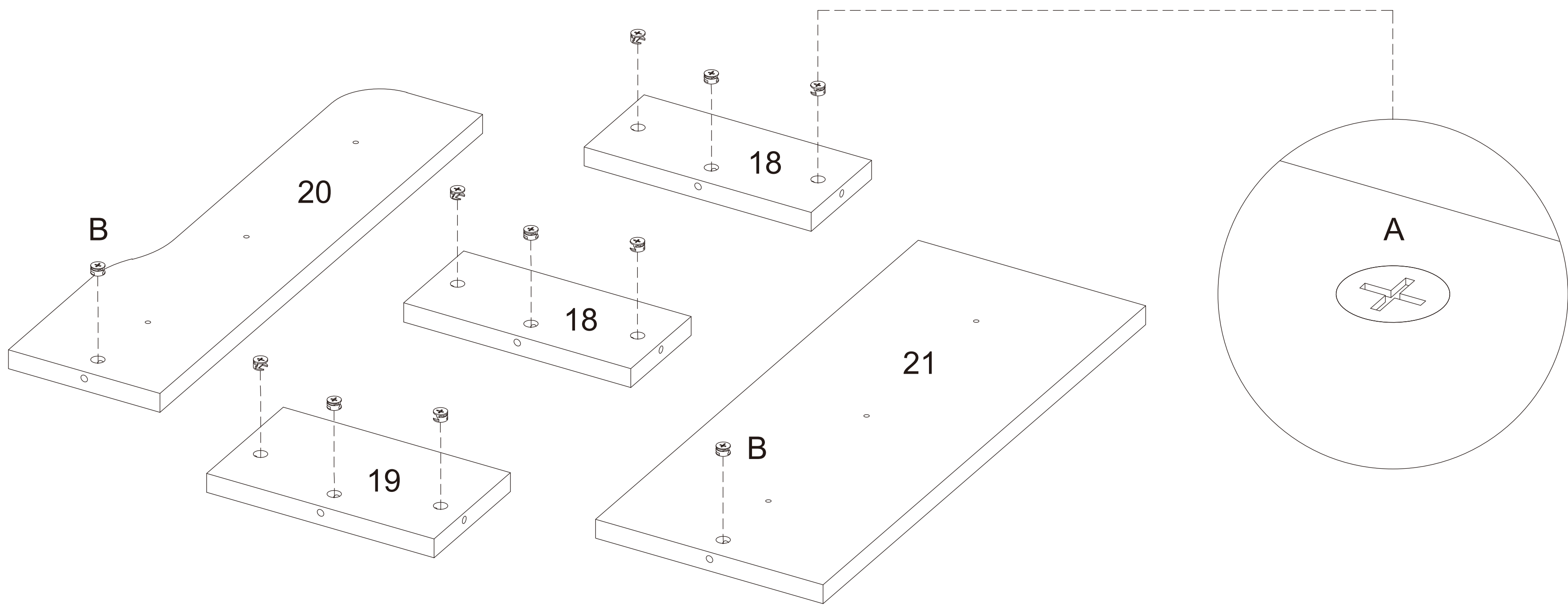
Step 19



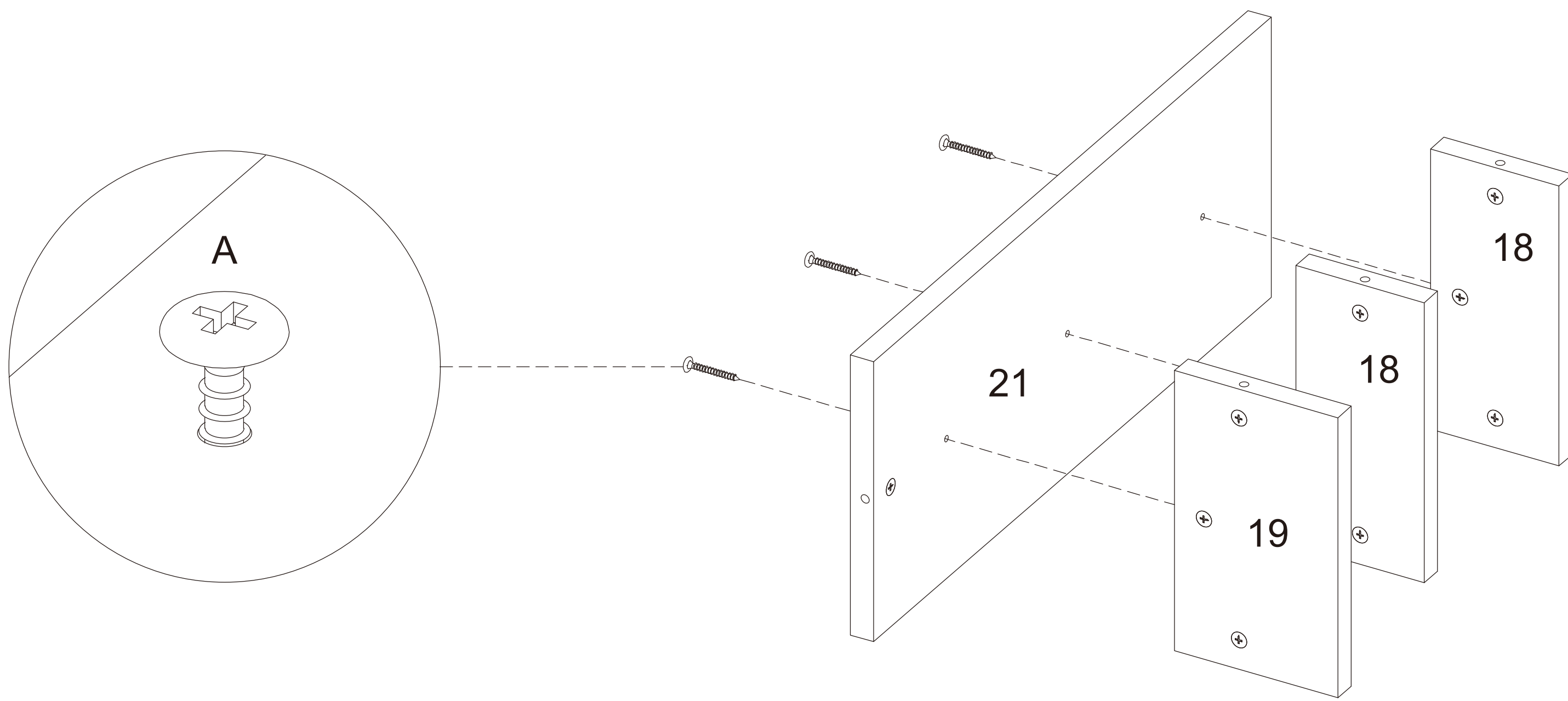
Step 20



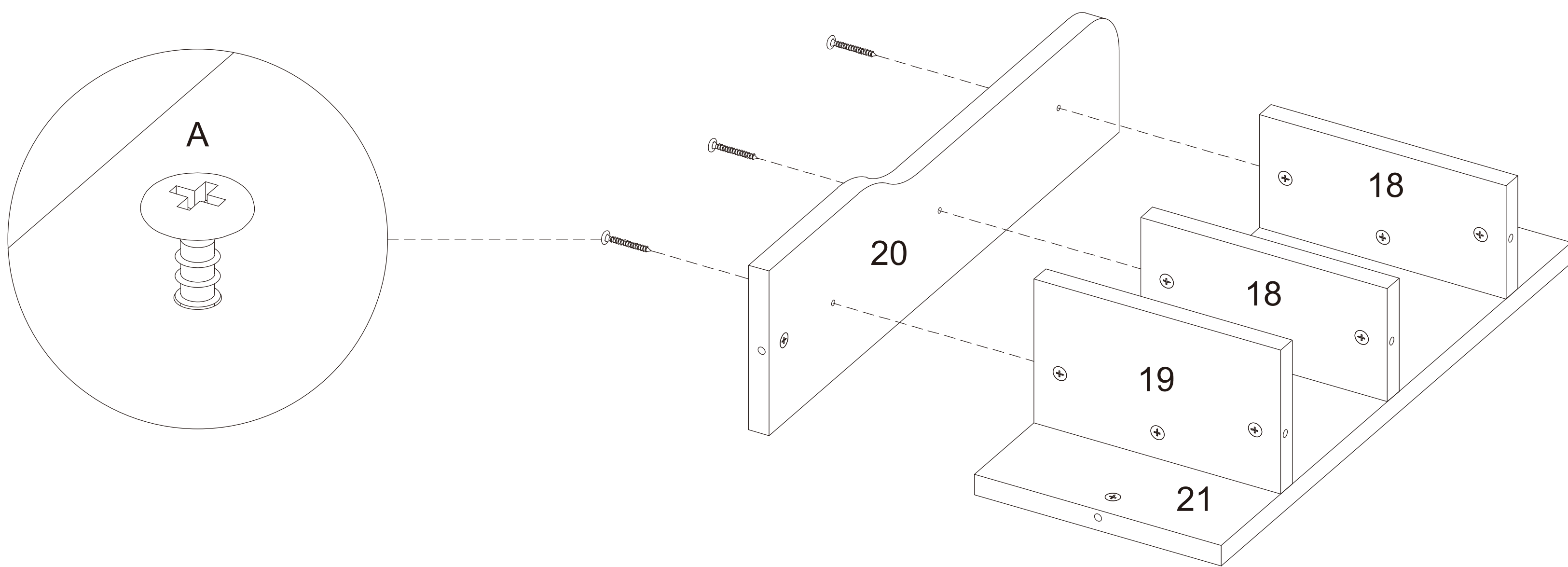
Step 21 pick up 18 x2, 19 x1, 20 x1, 21 x1



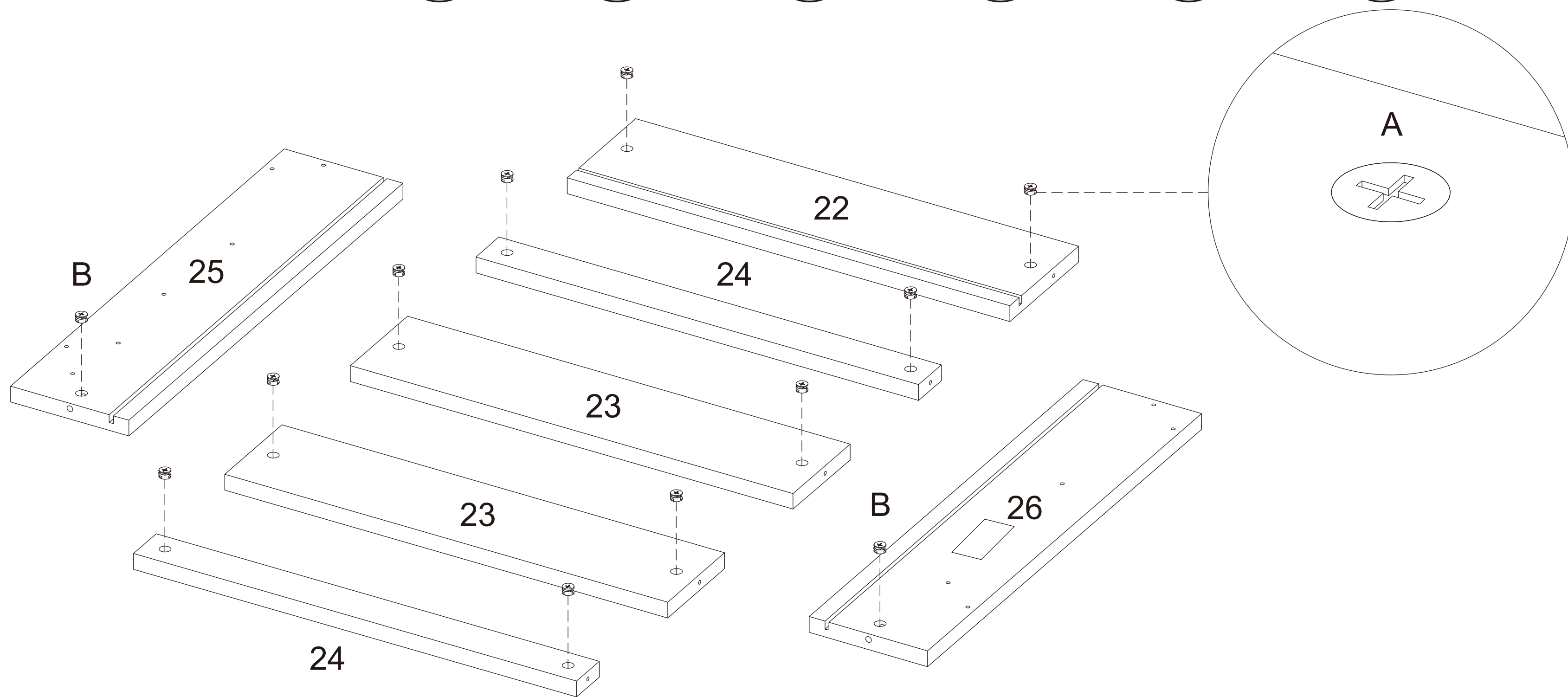
Step 22



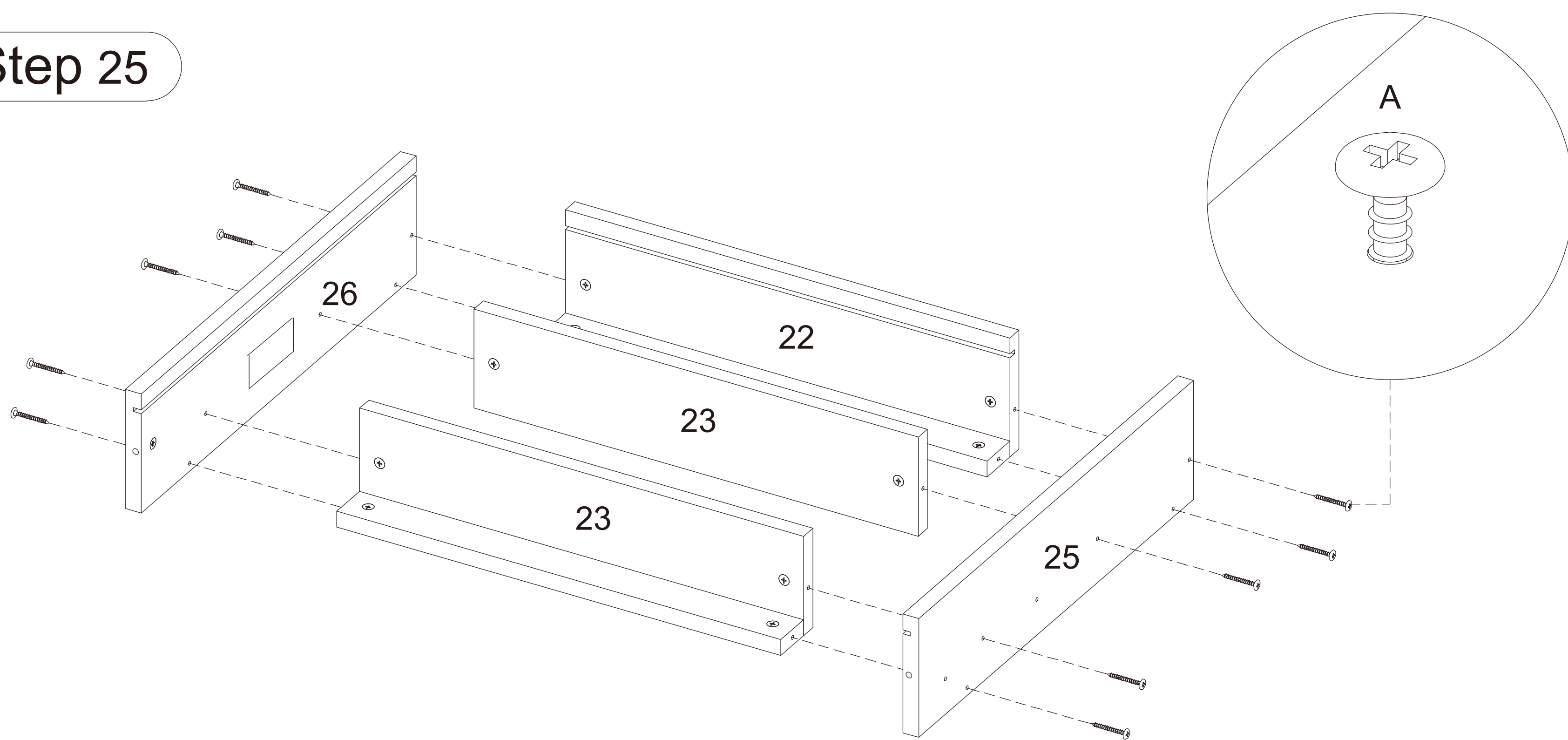
Step 23



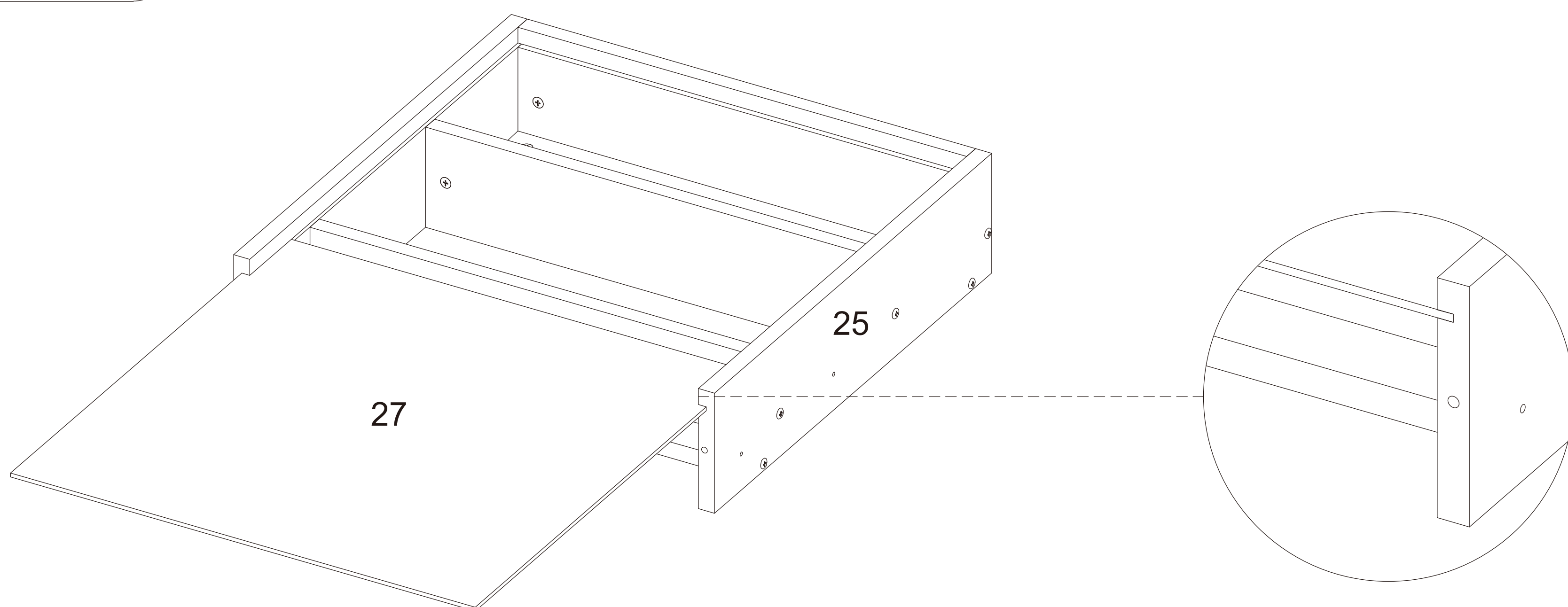
Step 24 pick up 22 x1, 23 x2, 24 x2, 25 x1, 26 x1, 27 x1



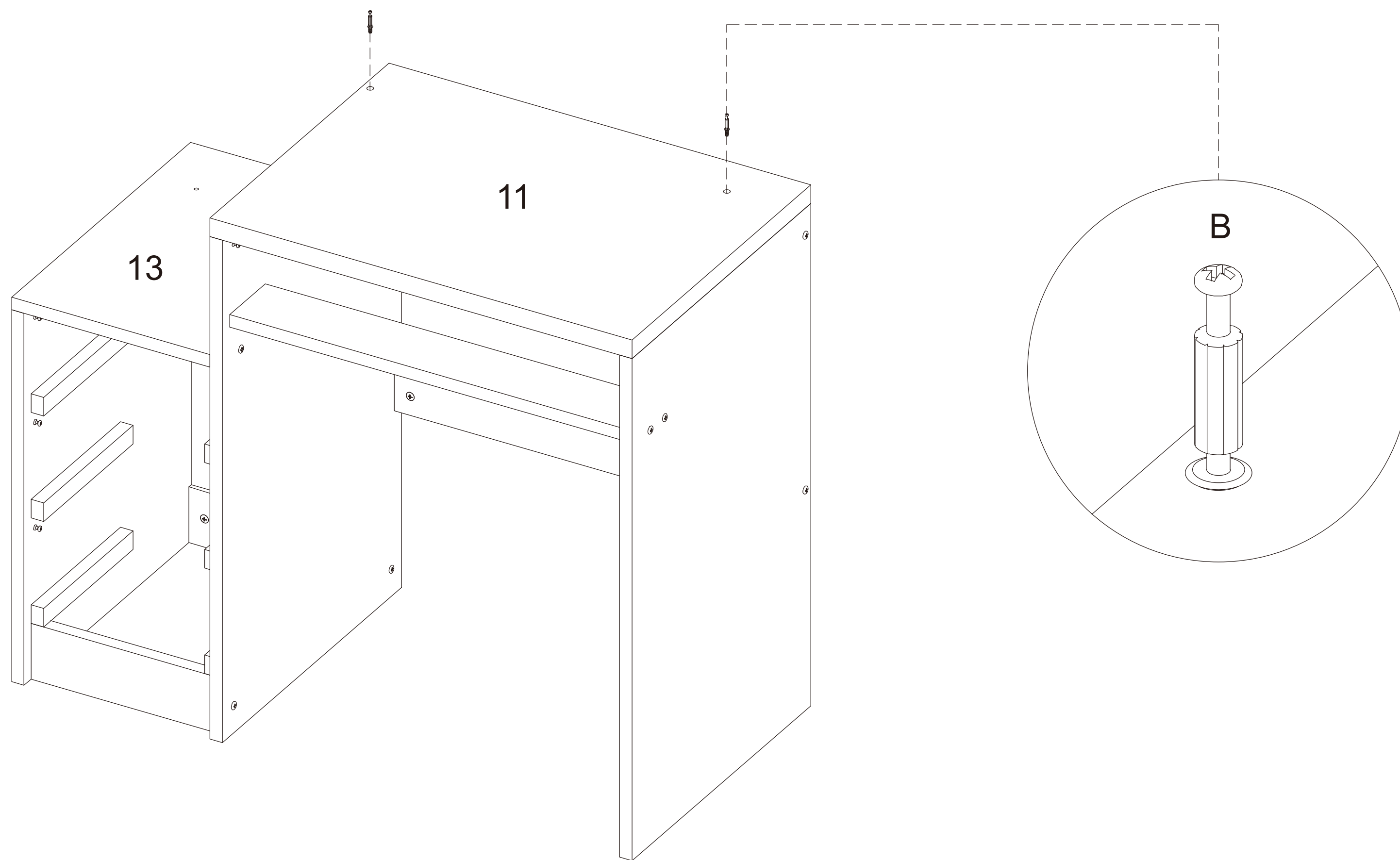
Step 25



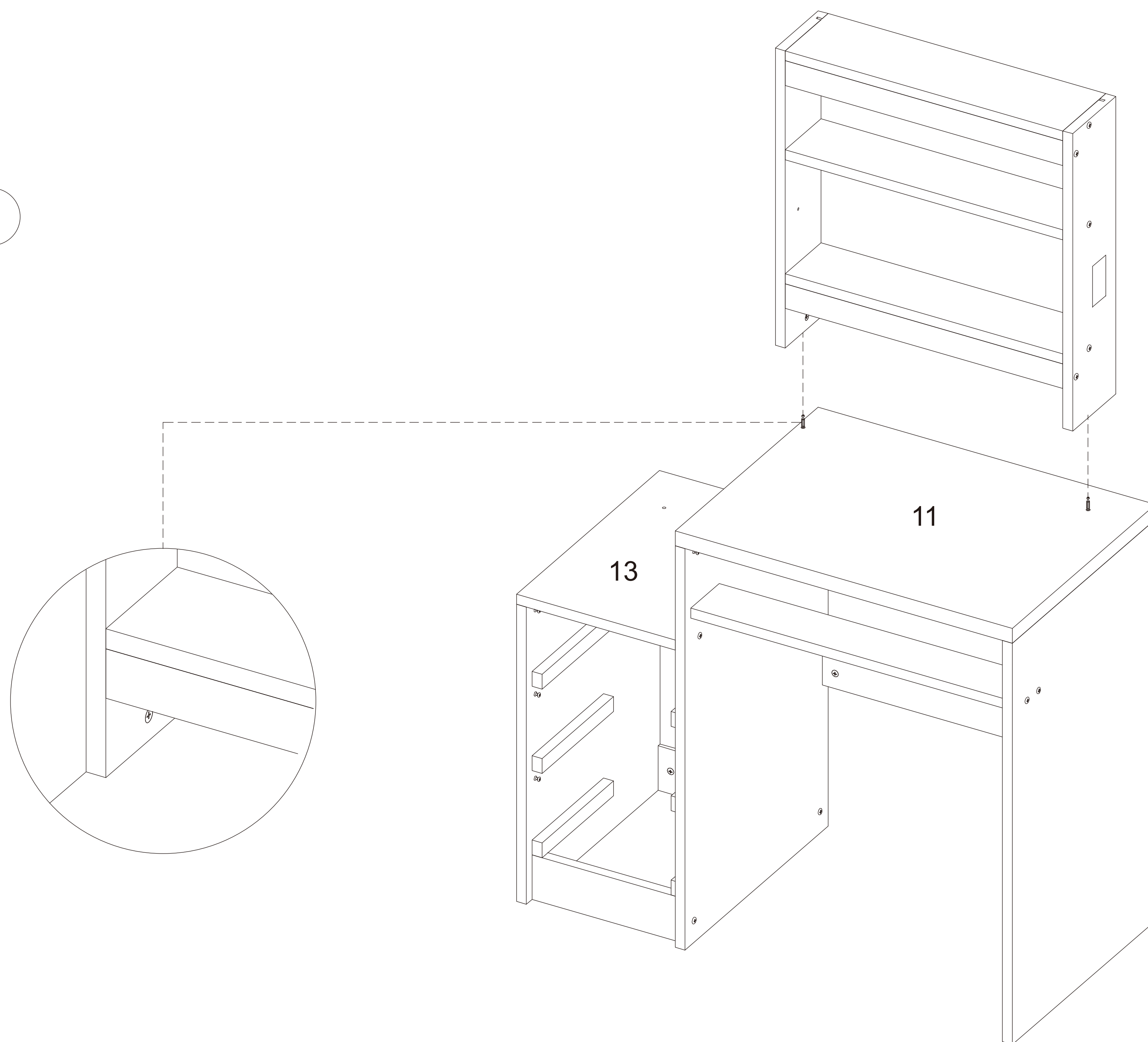
Step 26



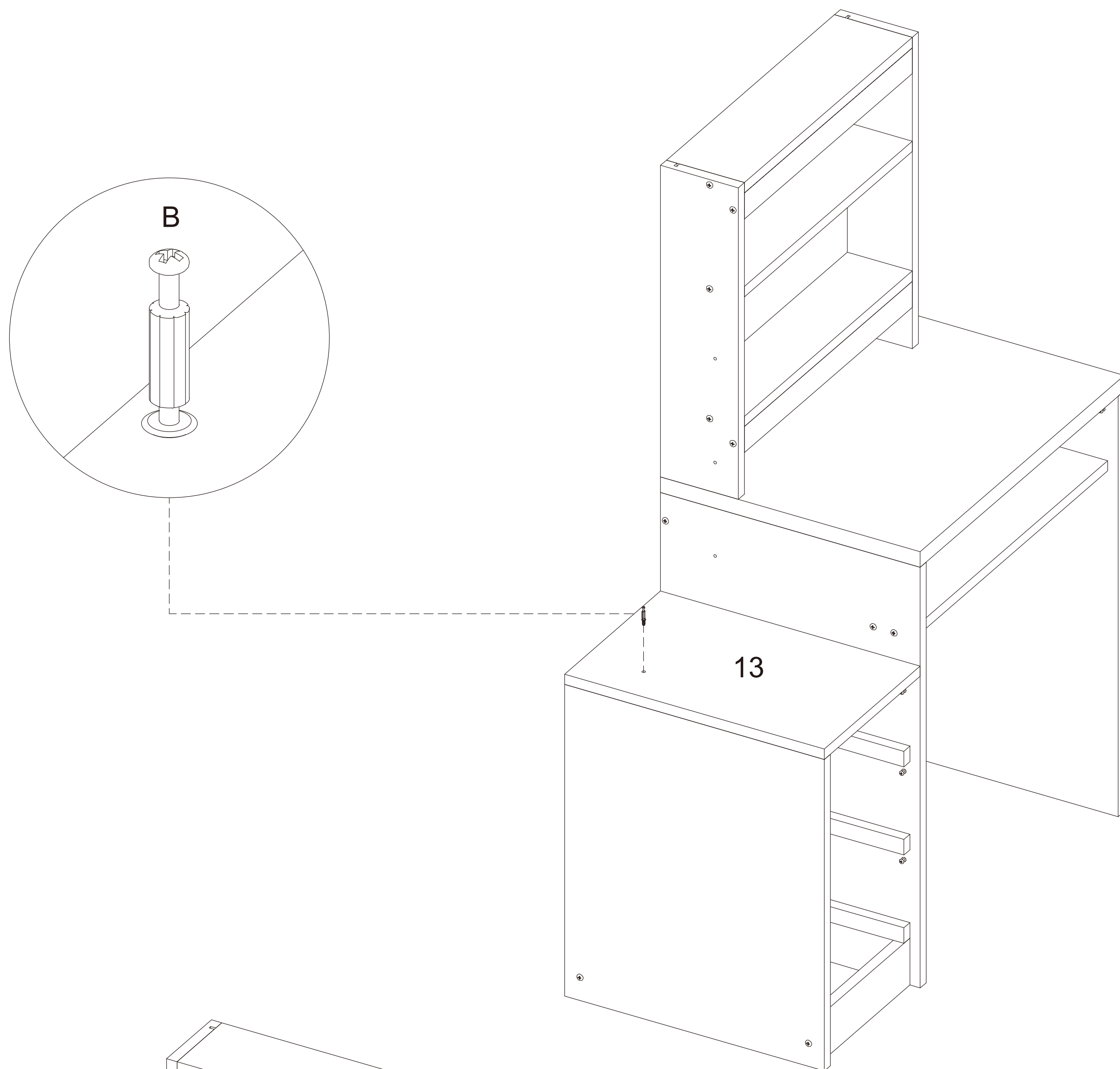
Step 27



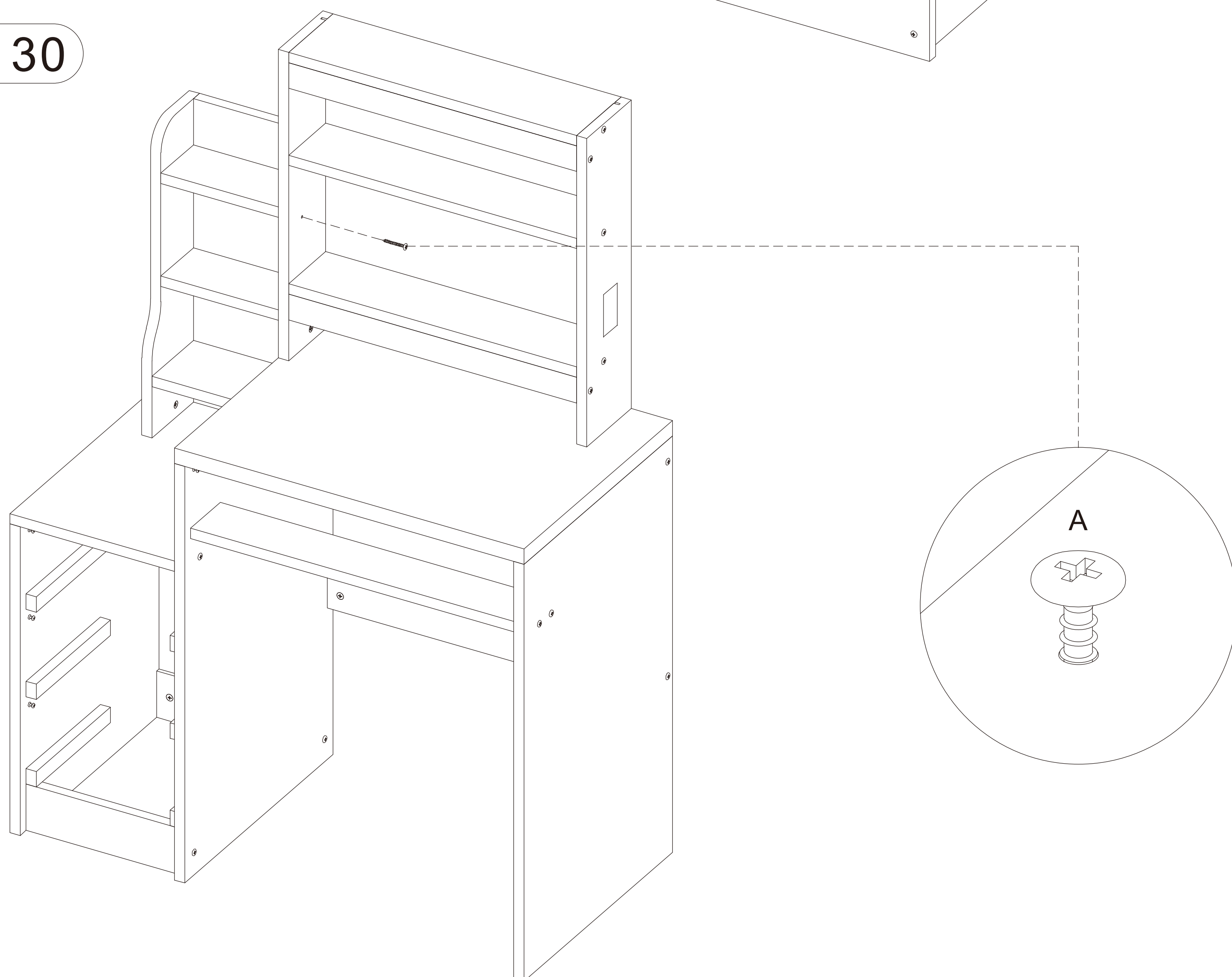
Step 28



Step 29

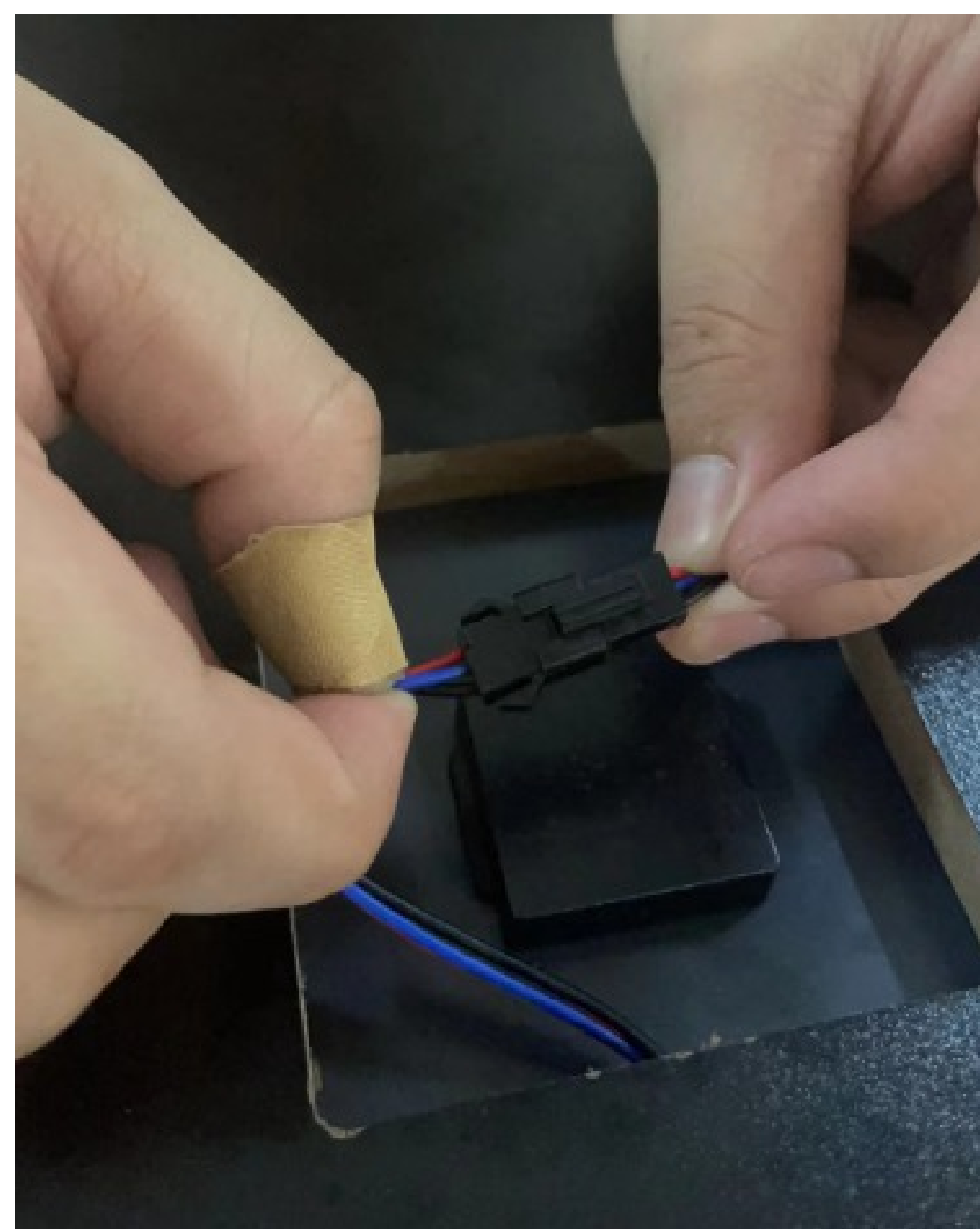
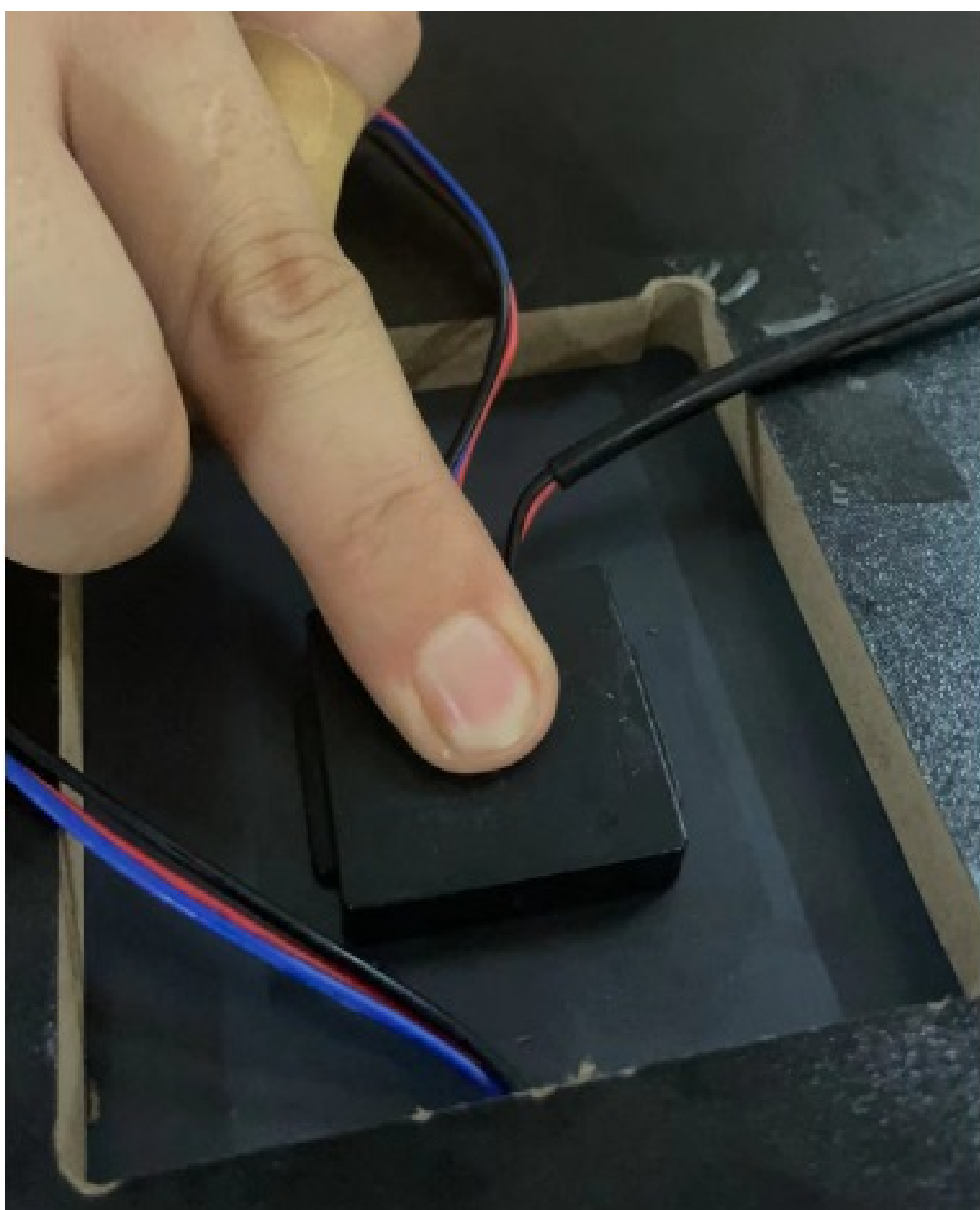
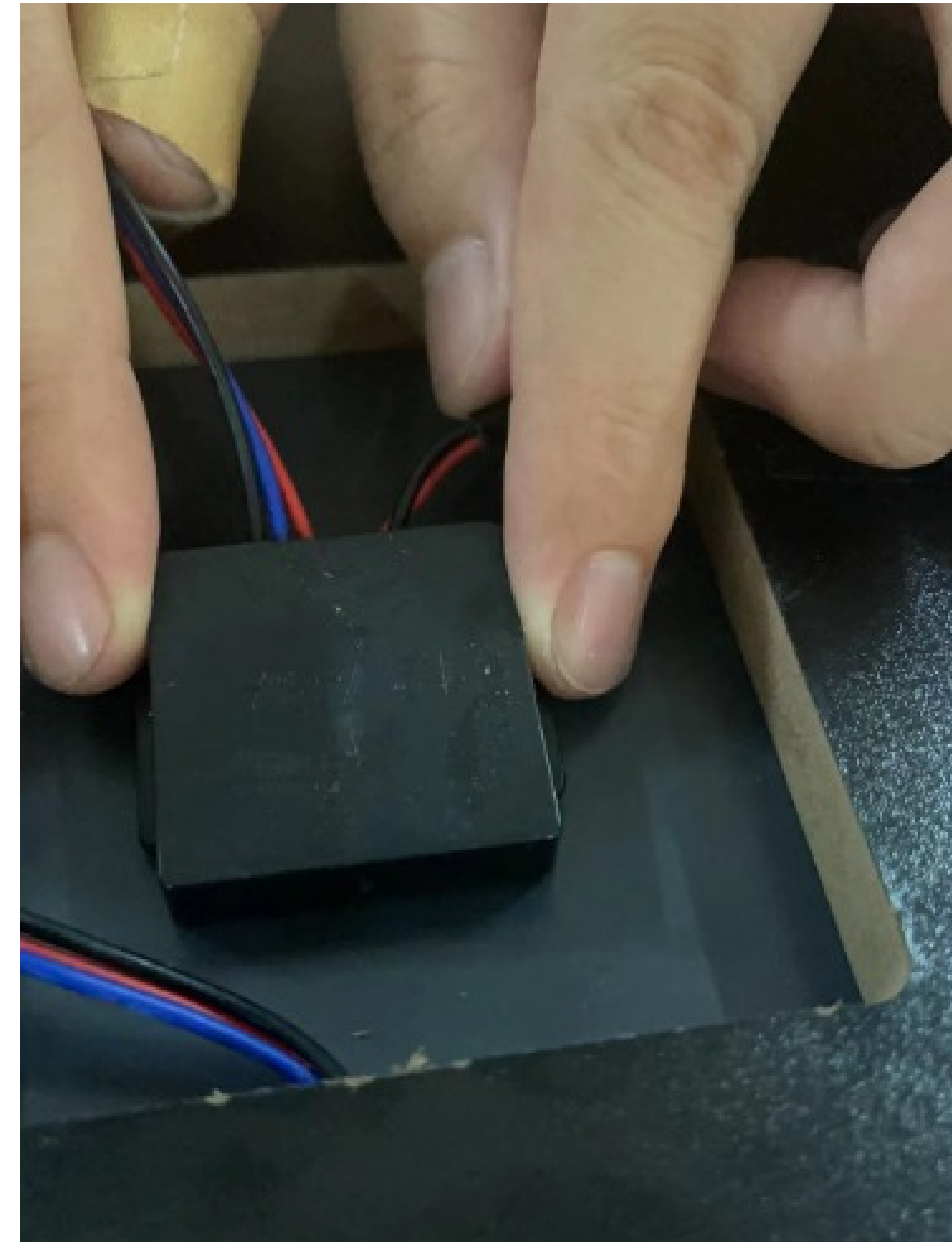
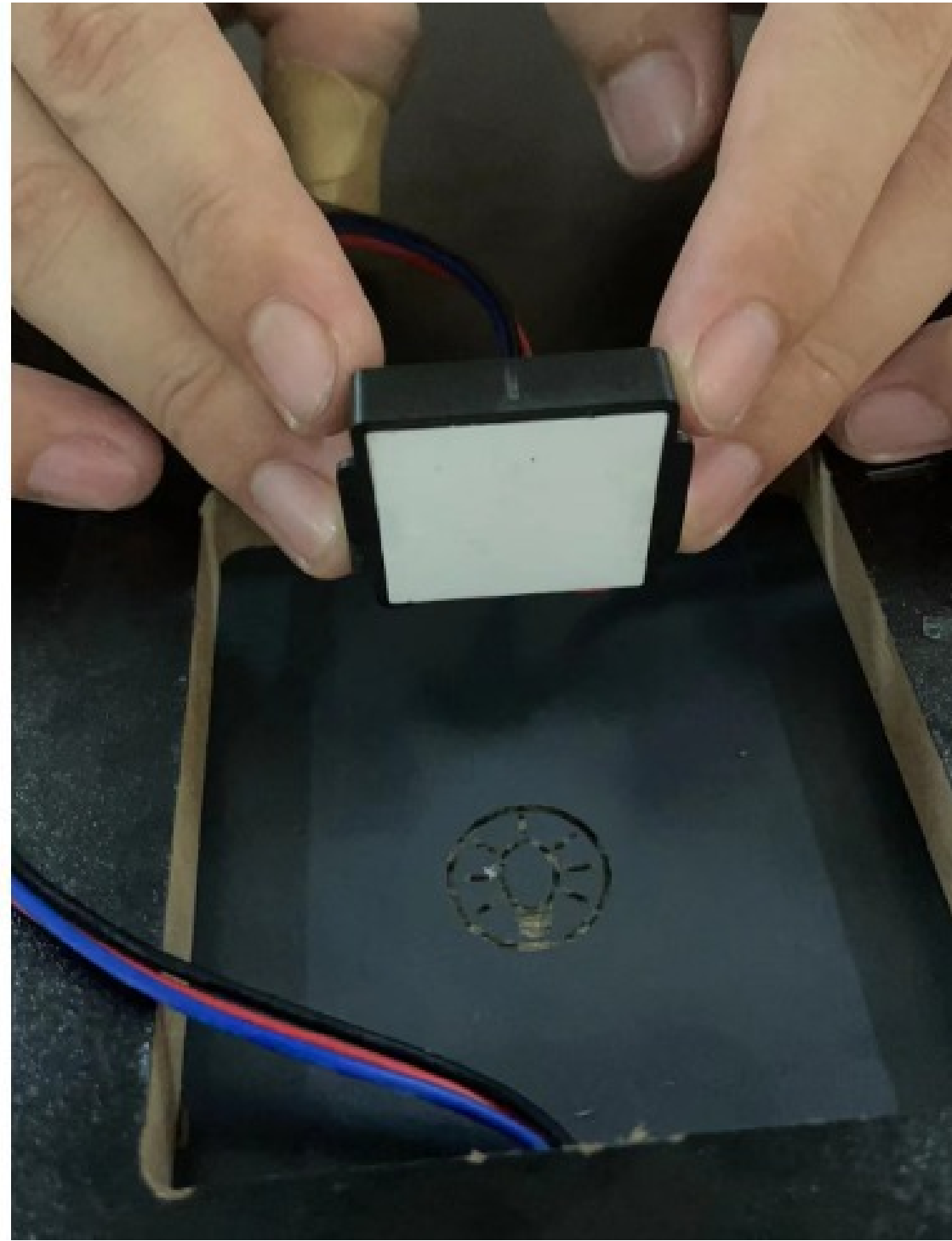
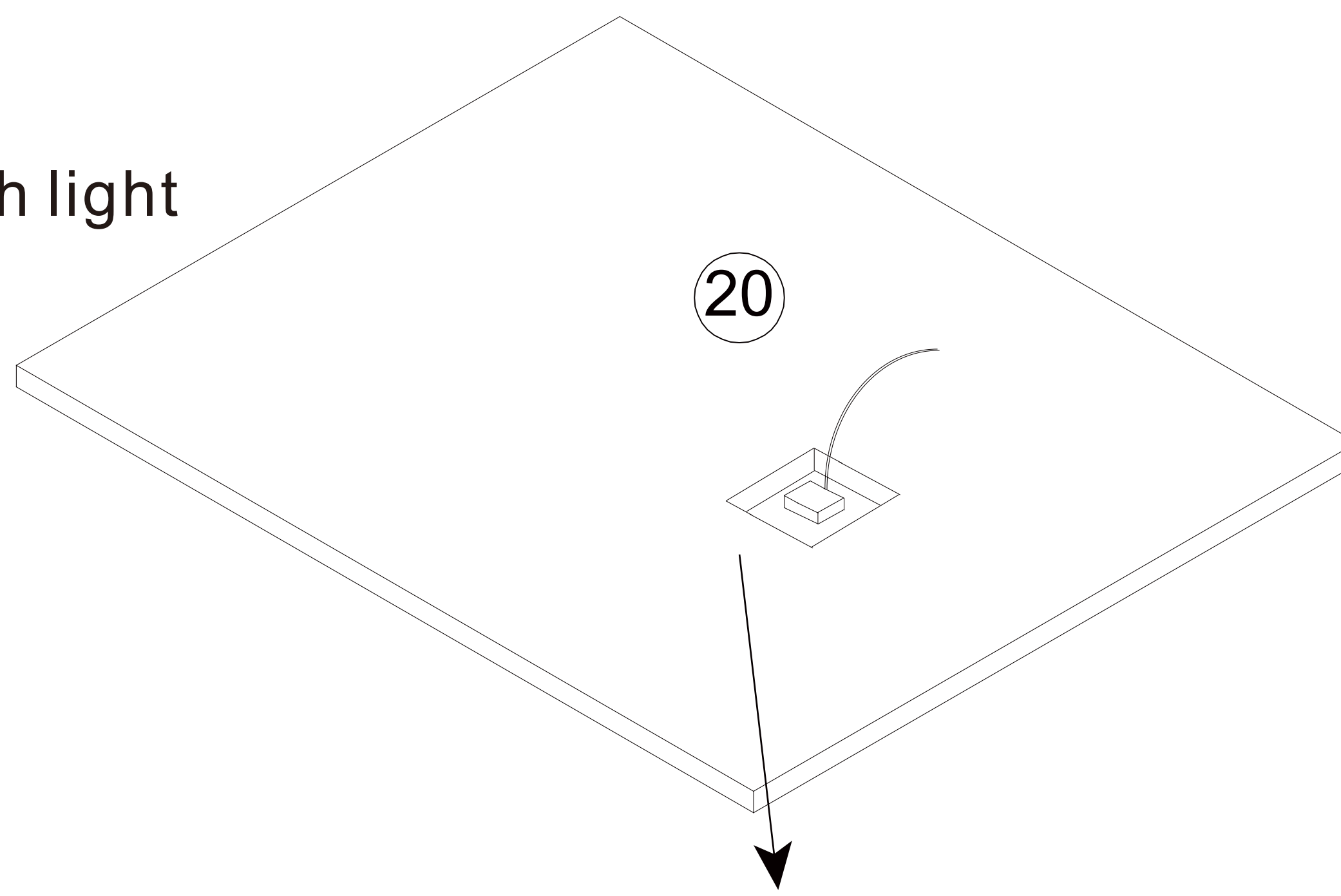


Step 30



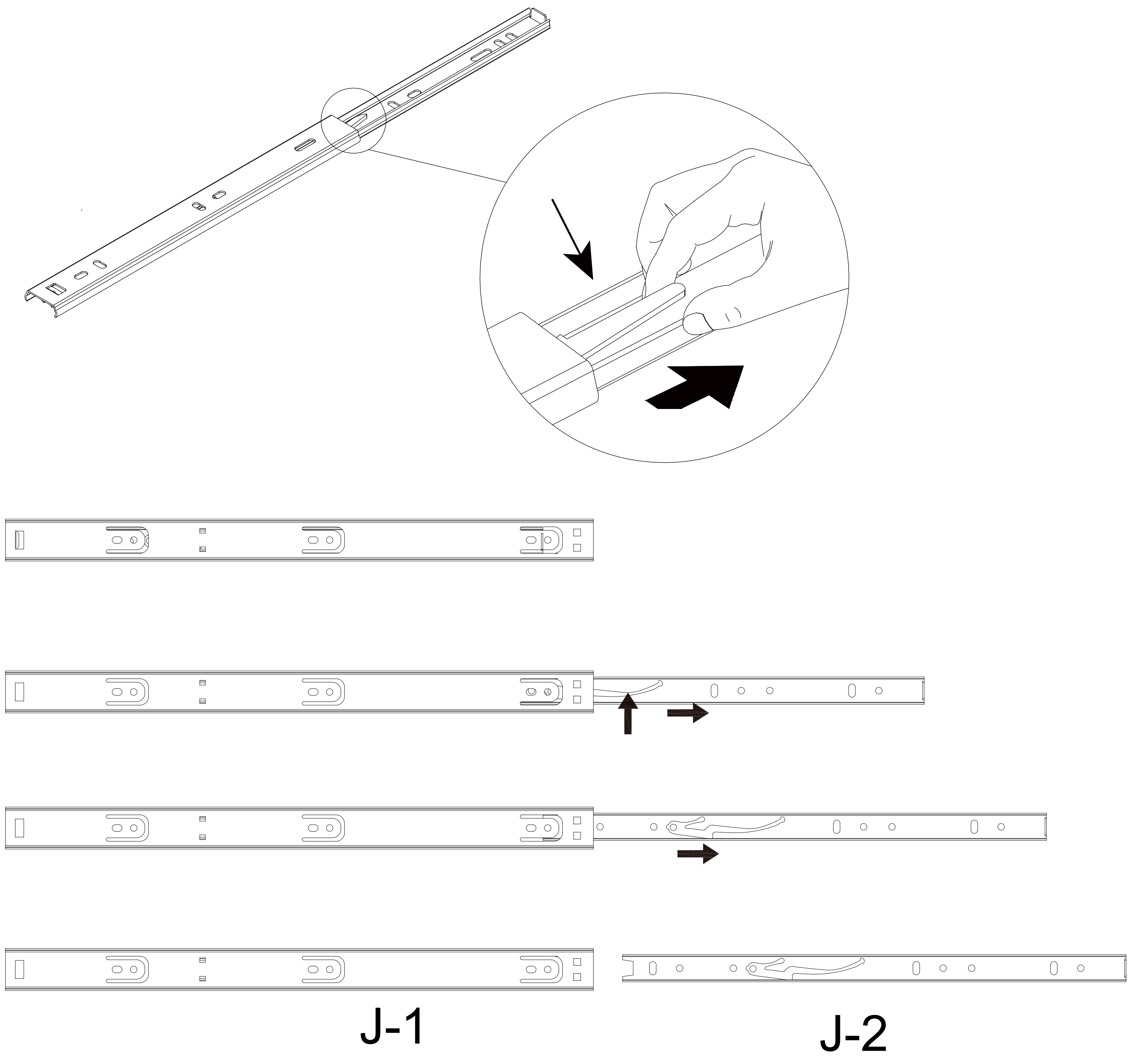
Step 31

For vanity table with light



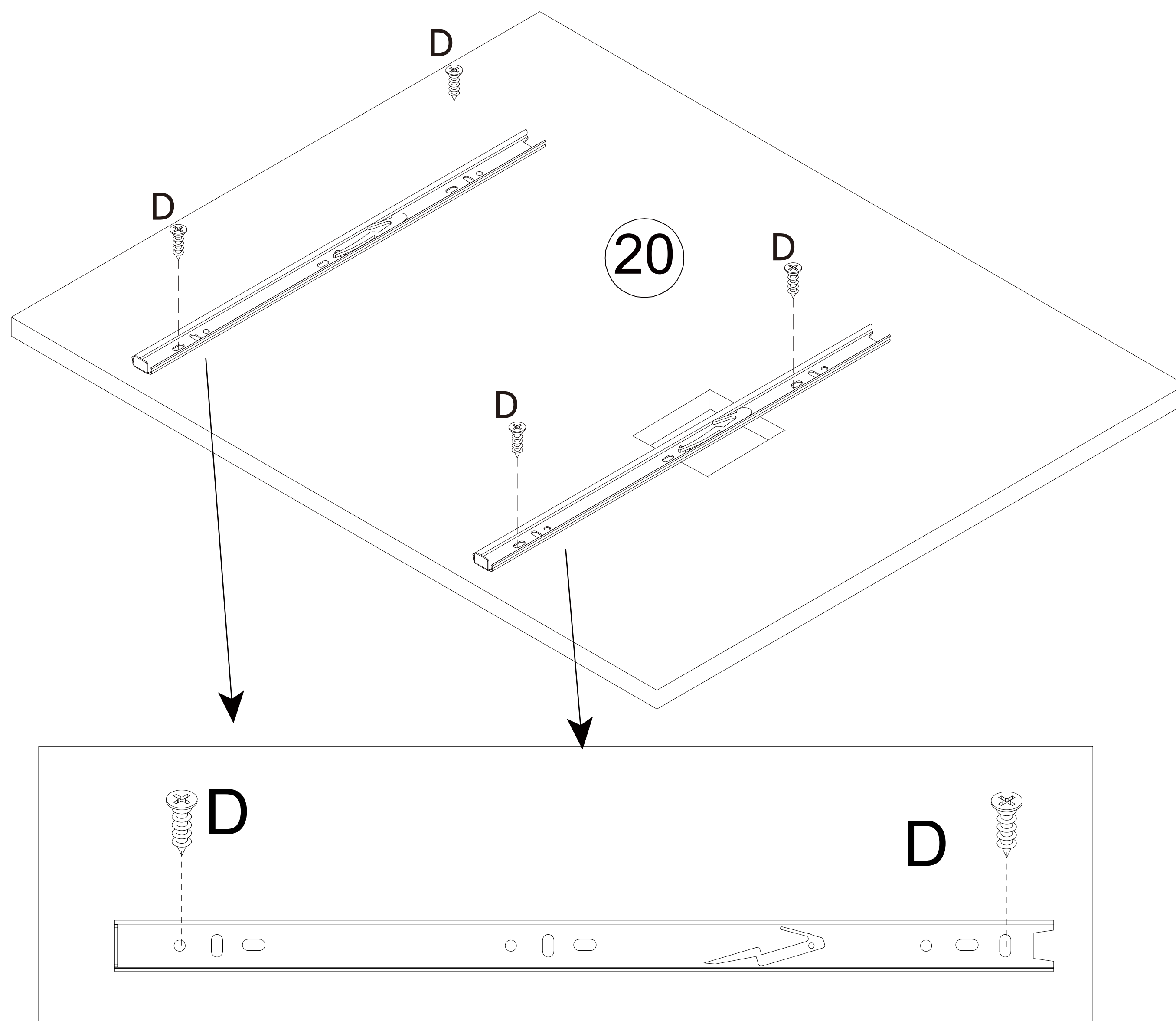
If your vanity table include a LED mirror light, please test the light in this step. Touch the switch button on the mirror to turn on the mirror light, click the switch button to change the color of the light, and long press the switch button to adjust the brightness. If the switch button is not sensitive, you can check whether the touch switch is tightly attached to the mirror back as shown in the diagram. If it is not tightly attached, please use your fingers to press the touch switch to the designated position and check if the connecting wire is OK.

Step 32

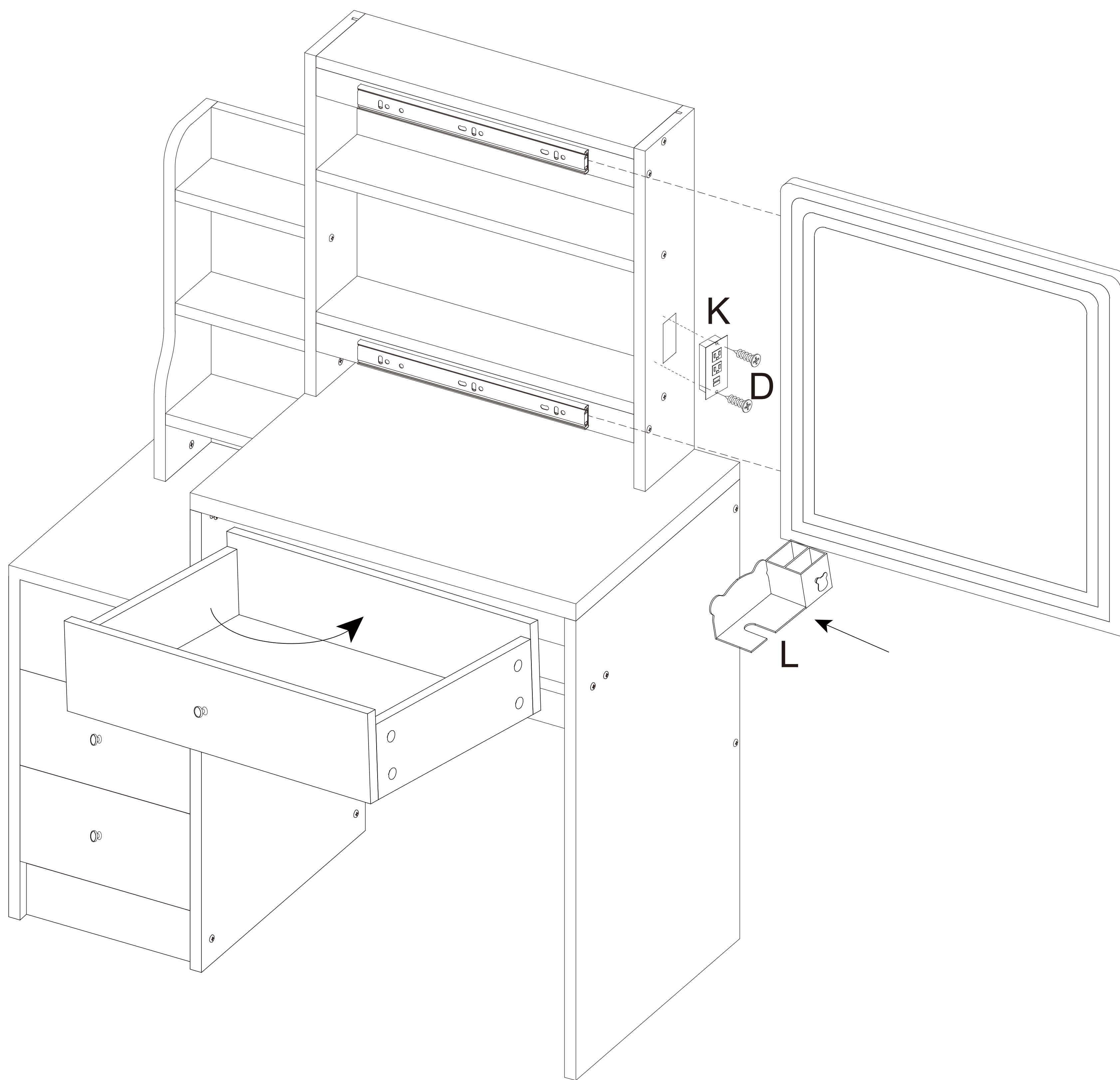




Step 33

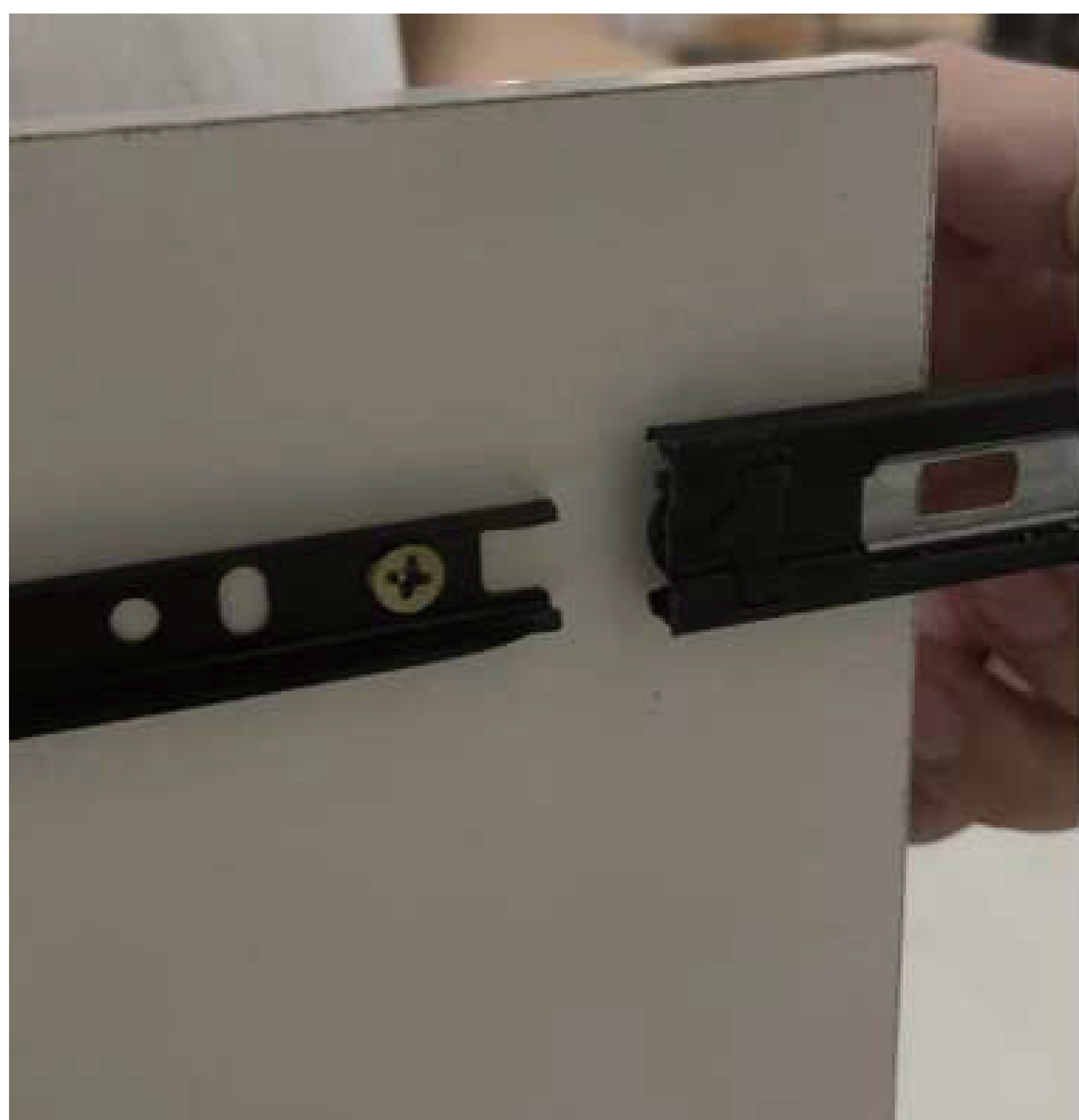


Step 34 K , L for 918S-LS



Please note that when placing the drawer in, the drawer positioning pin will block the drawer. Therefore, please follow the diagram to first insert the inner edge of the drawer using a concave method, and then push the drawer flat.

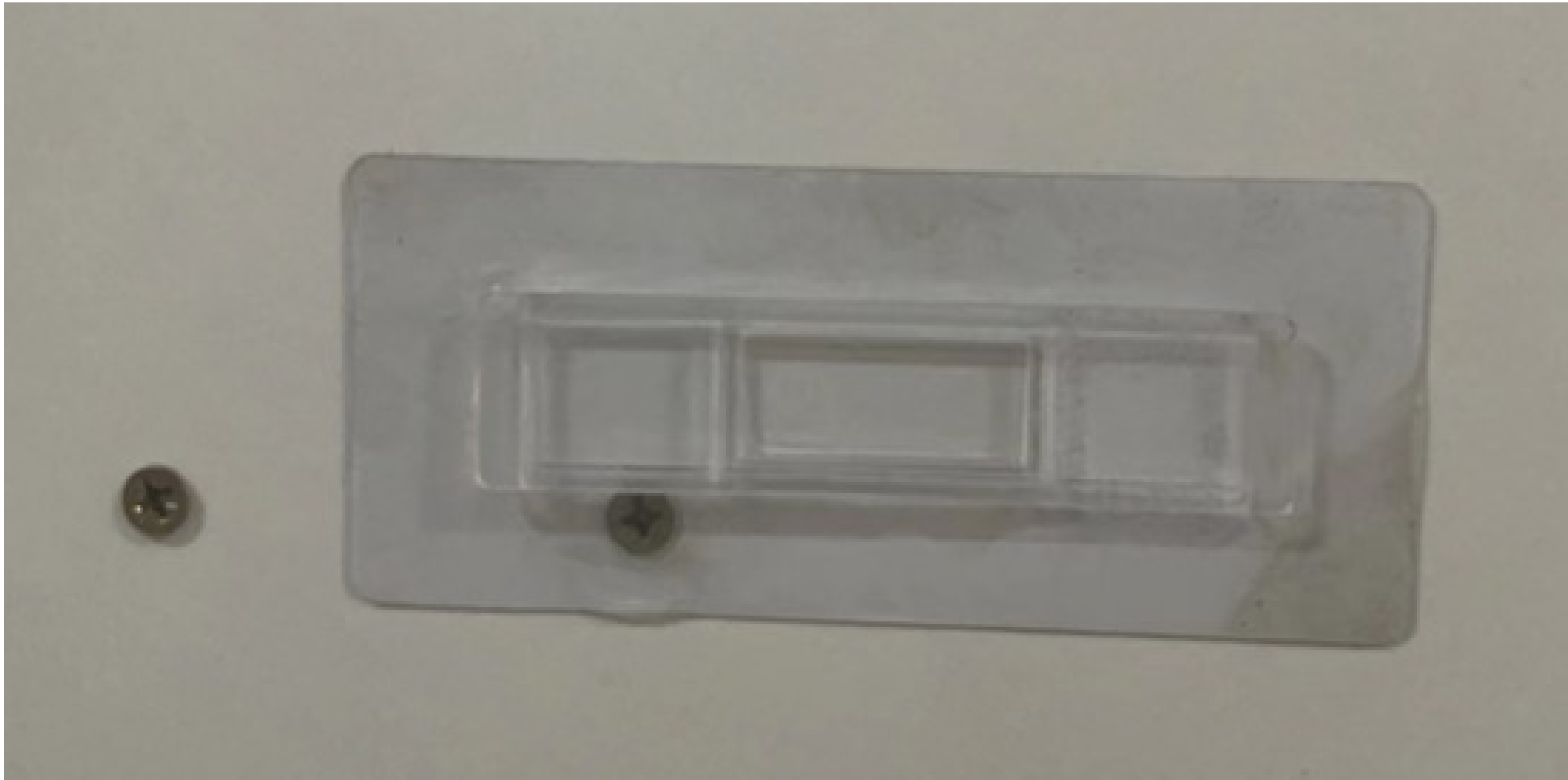
Step 35



Fit the track section J1 of the mirror to the track section J2
Maintaining the fit between J1 and J2, and then gently push the mirror to the left. There will be obvious resistance when pushing the mirror, which is normal. This resistance needs to be overcome till gradually close the mirror completely, but be careful not to apply too much force, as excessive force can cause the buffer stop at the left end of the track to deform, the buffer rubbers also easily to fall off. But it doesn't matter. just restore the buffer to its original state and reinstall the buffer rubber, it's Ok.

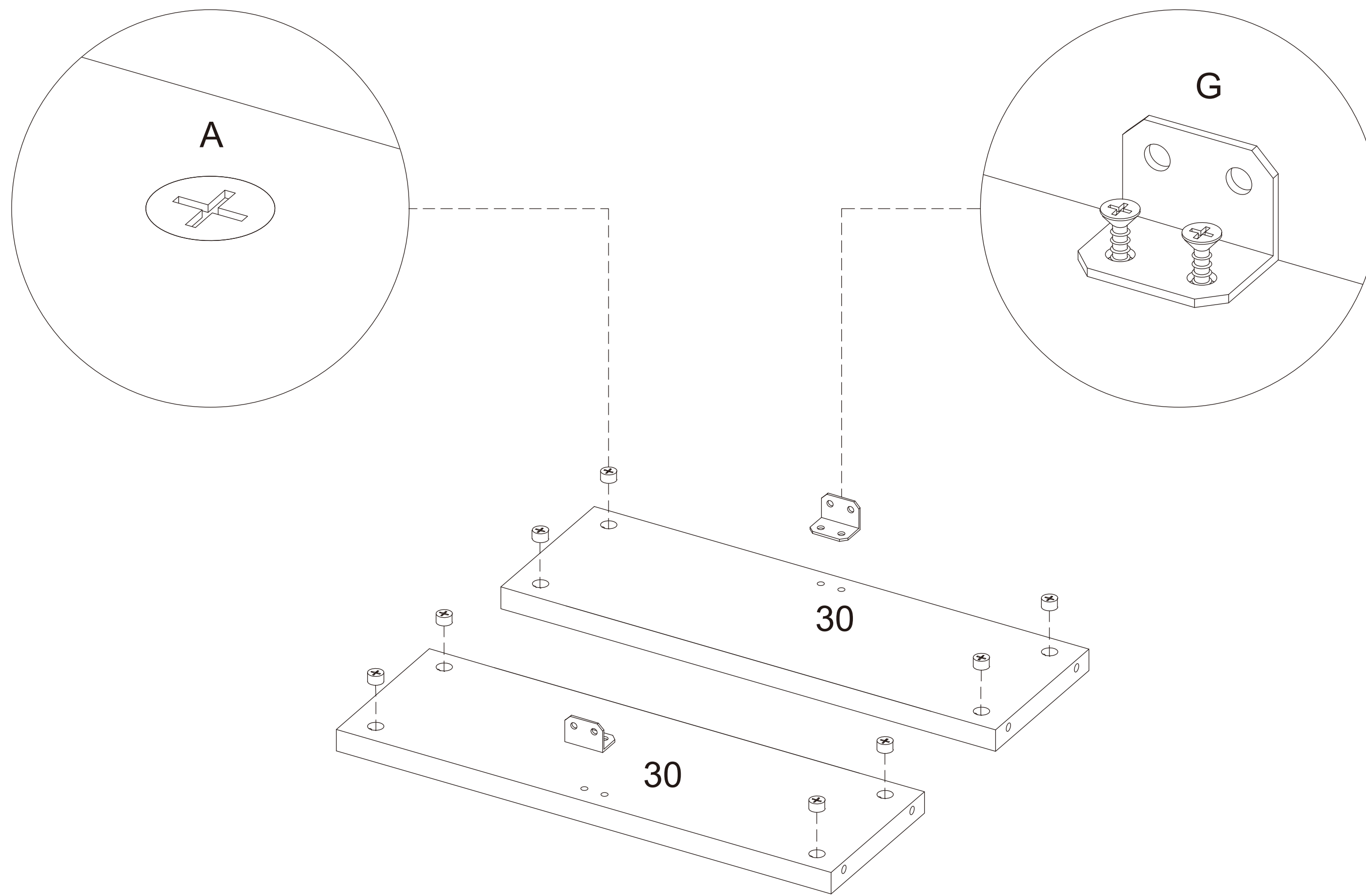


Only for vanity table with hair dryer bracket and built-in socket

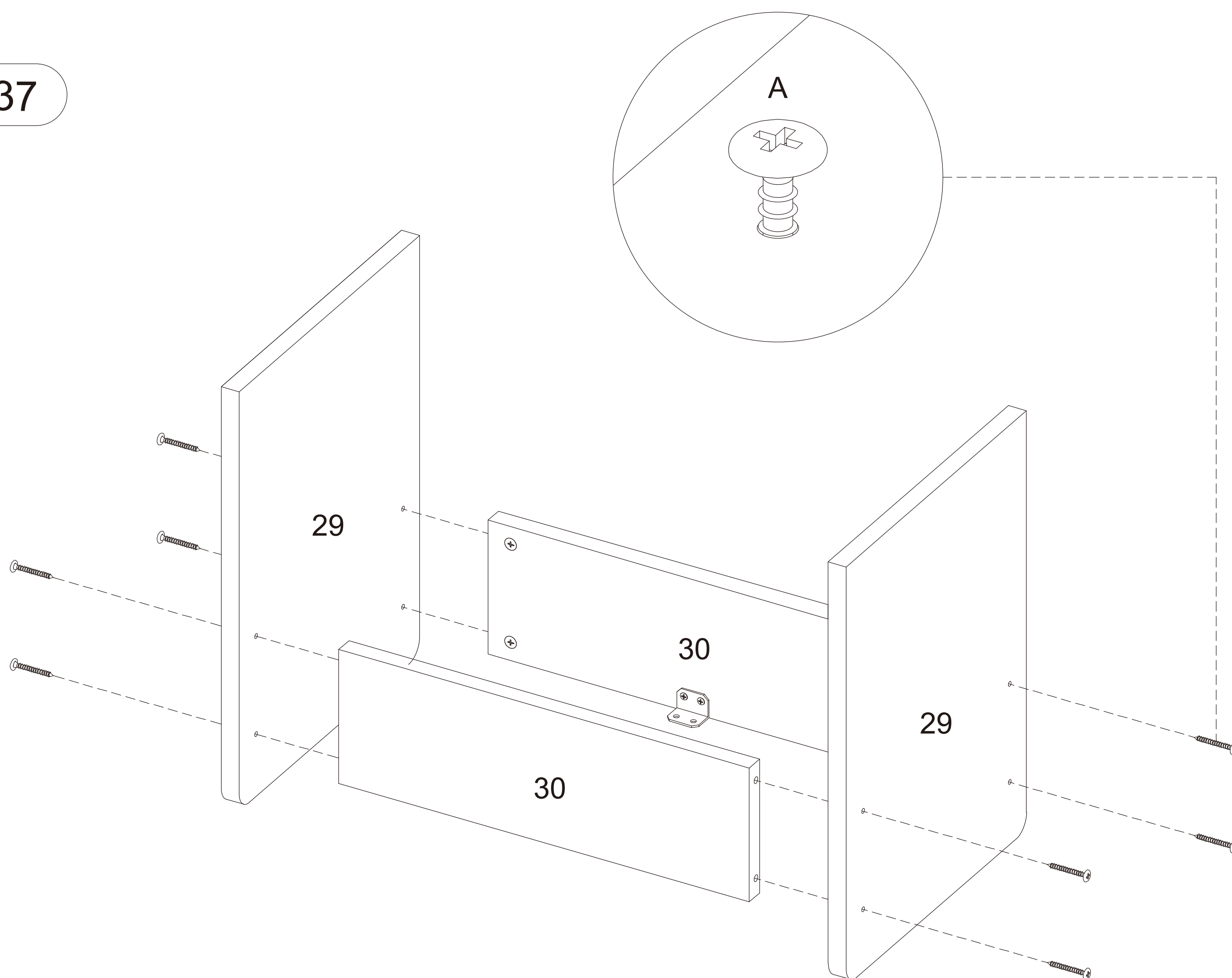


Only for vanity table with hair dryer bracket and built-in socket

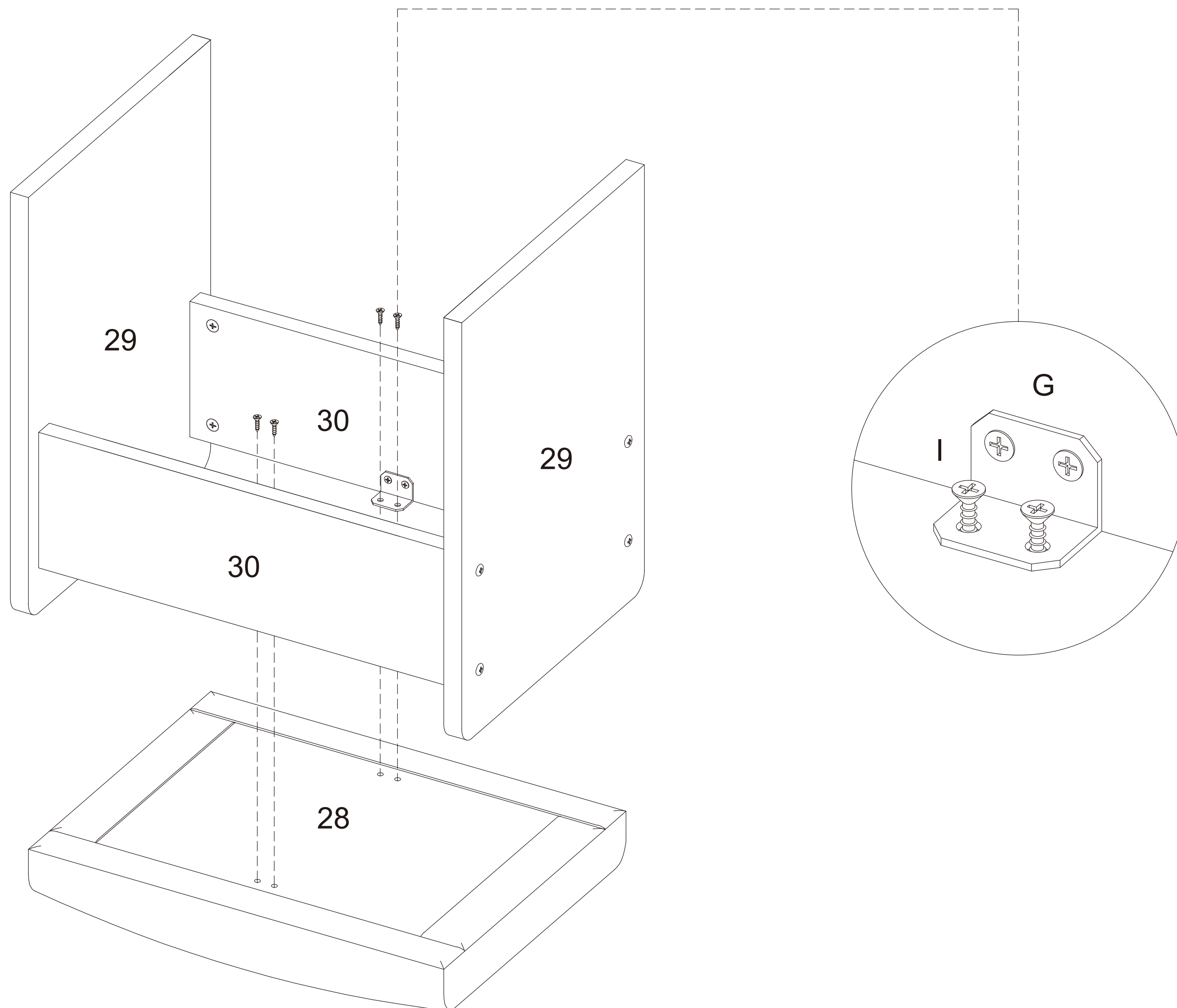
Step 36



Step 37



Step 38



Step 39

