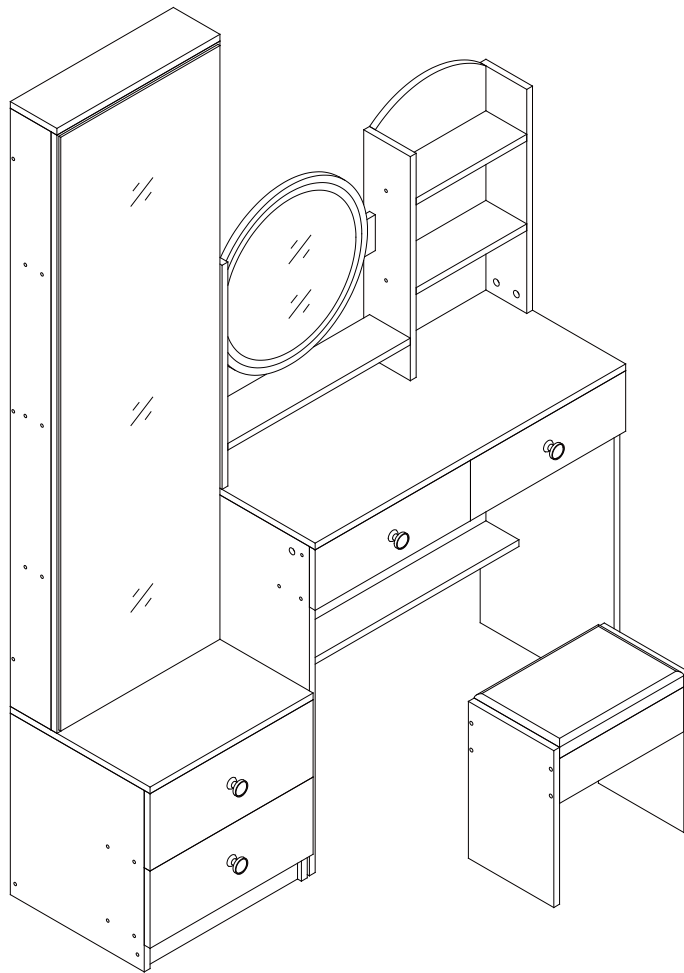


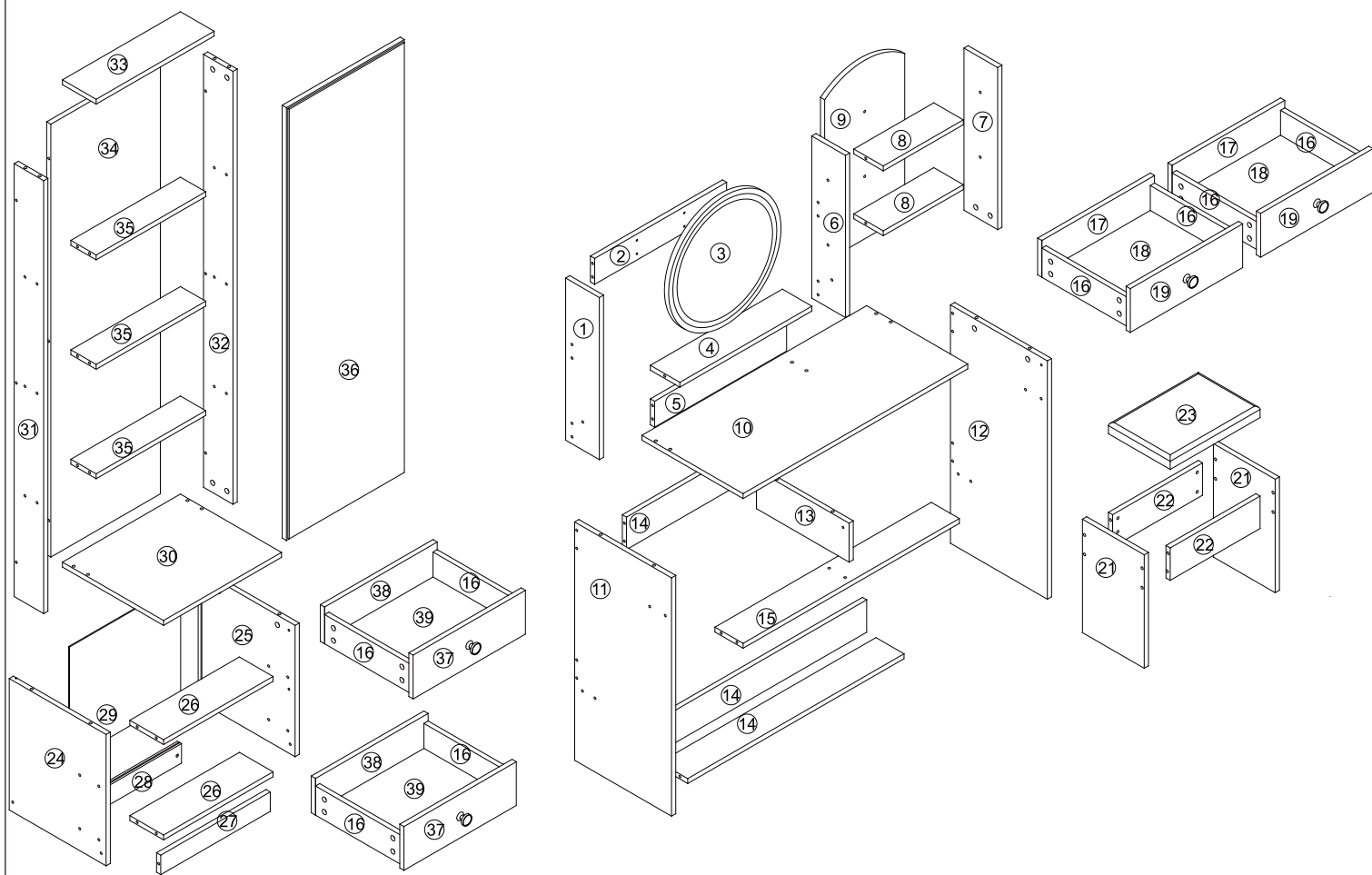
CRAZY ELF VANITY TABLE

**SVV_JG-W-L, SVV_JG-B-L,
SVV_JG-MW-L, SVV_JG-W-LS, SVV_JG-B-LS**

INSTALLATION MANUAL



**SVV is type name, JG means including mirror cabinet.
W means white, B means black, L means including mirror light,
S means include power socket.**



1 - x1	8 - x2	15 - x1	22 - x2	29 - x2	36 - x1
2 - x1	9 - x1	16 - x8	23 - x1	30 - x1	37 - x2
3 - x1	10 - x1	17 - x2	24 - x1	31 - x1	38 - x2
4 - x1	11 - x1	18 - x2	25 - x1	32 - x1	39 - x2
5 - x1	12 - x1	19 - x2	26 - x2	33 - x1	
6 - x1	13 - x1	20 - x0	27 - x1	34 - x1	
7 - x1	14 - x3	21 - x2	28 - x1	35 - x3	

Following pictures show the boards and hardware of black SVV_JG, please ignore the board color, just notice the shape and hole site to distinguish the different boards and hardware, then put it to the right place in order.

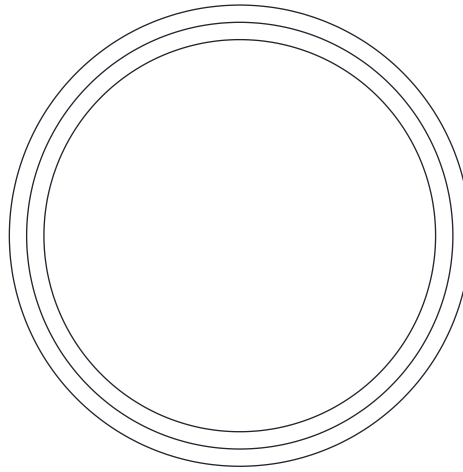
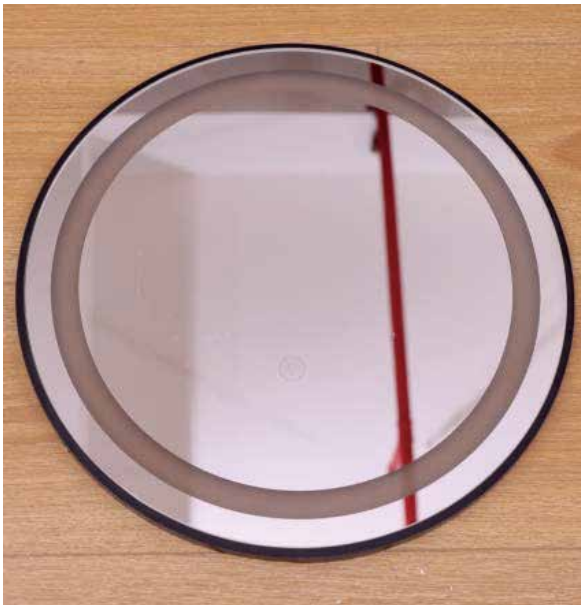




1 -x1



2 -x1



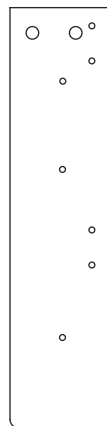
3 -x1



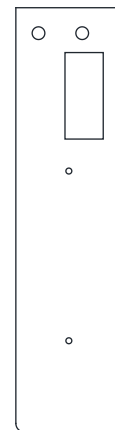
4 -x1



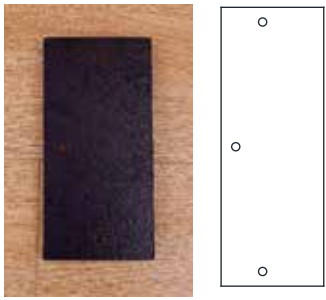
5 -x1



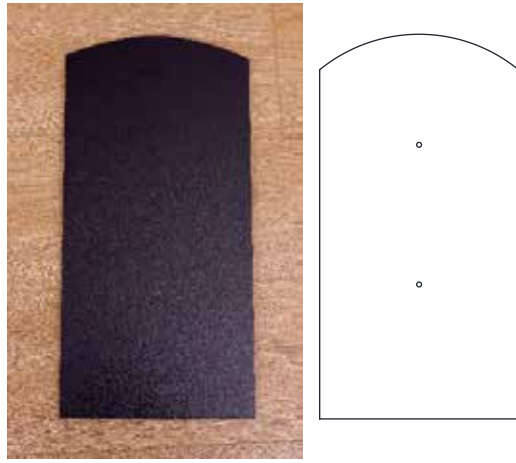
6 -x1



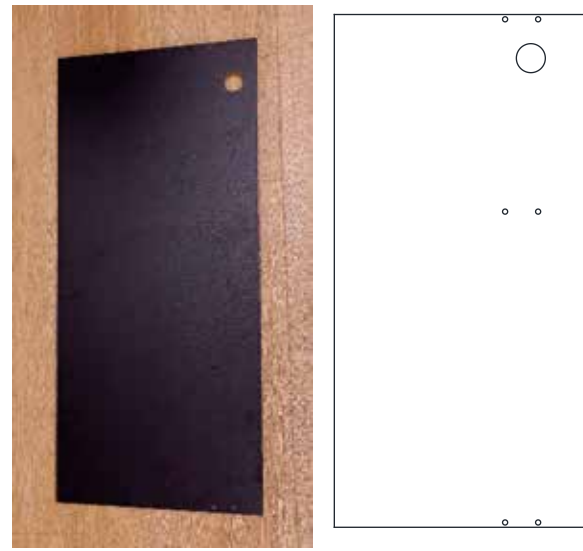
7 -x1



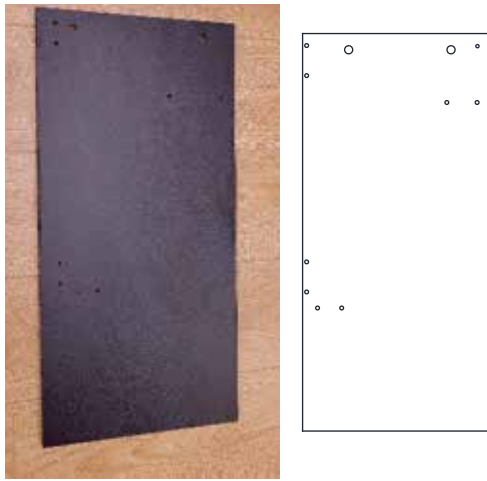
8 -x2



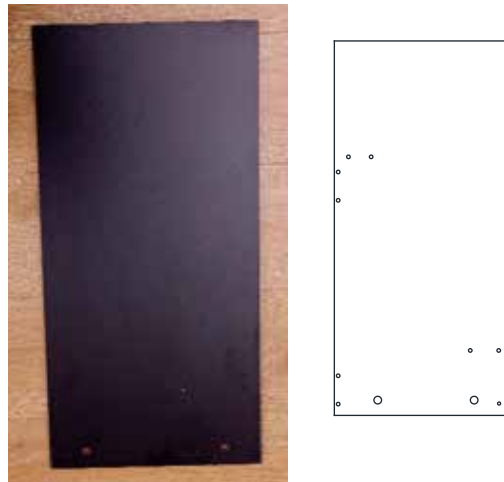
9 -x1



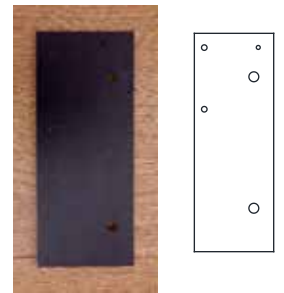
10 -x1



11 -x1



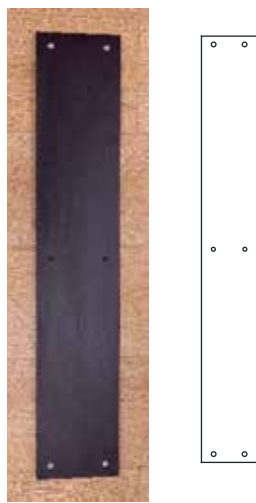
12 -x1



13 -x1



14 -x3



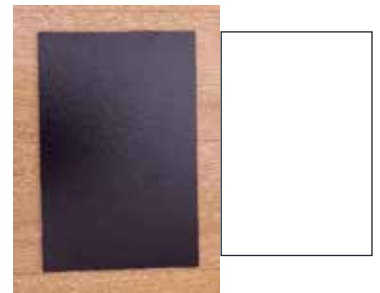
15 -x1



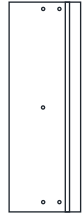
16 -x8



17 -x2



18 -x2



19 -x2

20 -x0



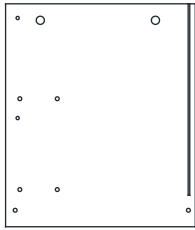
21 -x2



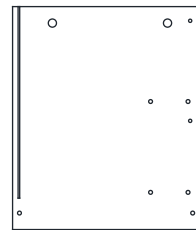
22 -x2



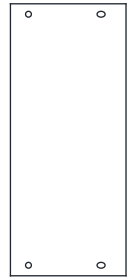
23 -x1



24 -x1



25 -x1



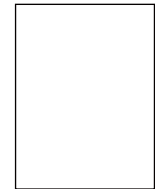
26 -x2



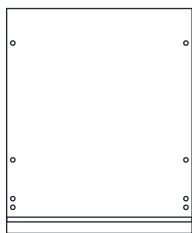
27 -x1



28 -x1



29 -x2



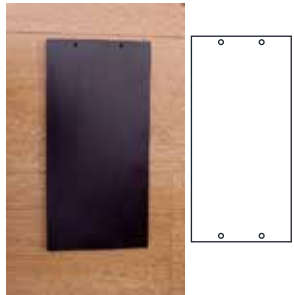
30 -x1



31 -x 1



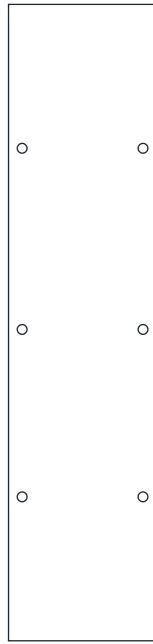
32 -x1



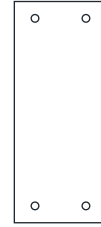
33 -x1



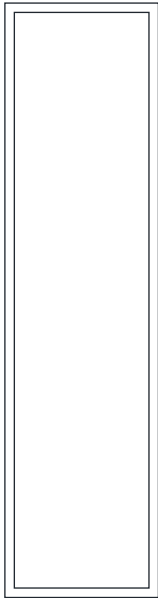
34 -x1



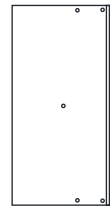
35 -x3



36 -x1



37 -x2



38 -x2



39 -x2



HARDWARE



A	SCREW	x57
---	-------	-----



B	METAL LOCK	x57
---	------------	-----



C	SCREW	x32
---	-------	-----



D	PLASTIC SHOE	x10
---	--------------	-----



E	HANDLE	x4
---	--------	----



F	L PLATE	x2
---	---------	----



G	HINGE	x2
---	-------	----



H	SCREW	x4
---	-------	----



J	SCREW	x72
---	-------	-----



K	PLASTIC LOCK	x72
---	--------------	-----



L	SCREW	x8
---	-------	----



M	SOCKET	x1
---	--------	----



N	HAIR DRYER BRACKET	x1
---	--------------------	----



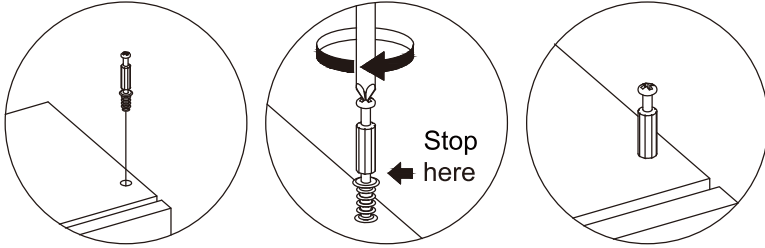
O	POWER PLUG	x1
---	------------	----

**ONLY FOR VANITY TABLE
INCLUDE POWER SOCKET**

**ONLY FOR VANITY TABLE
INCLUDE POWER SOCKET**

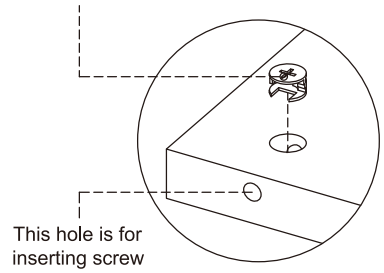
1. Screw installation method

When the screw is installed, please keep it in line with the board, and do not tighten it too tightly

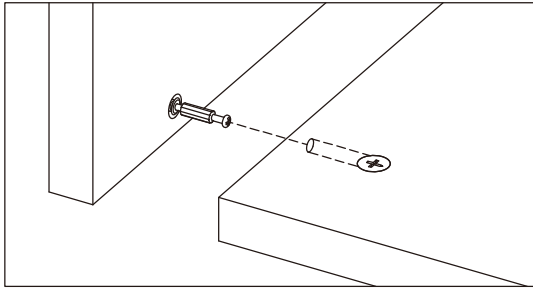


2. Check the Nut direction

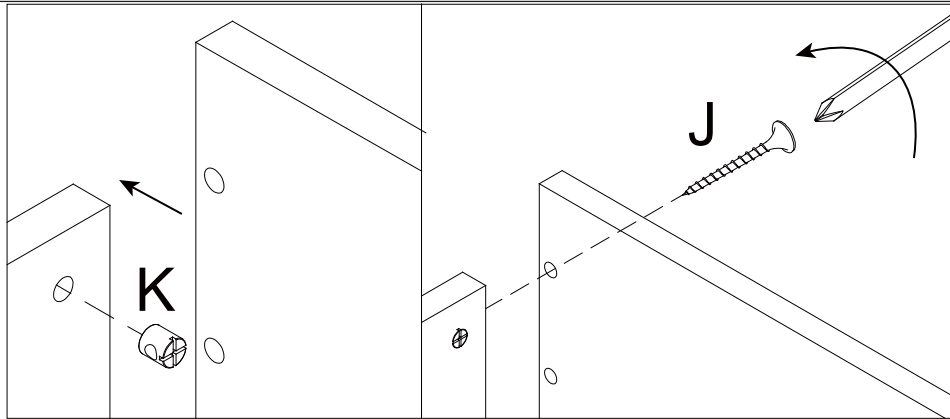
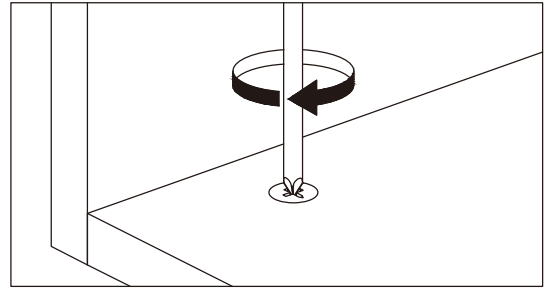
This direction of the marked nut is consistent with the direction in which the screw is inserted



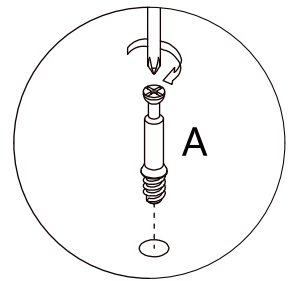
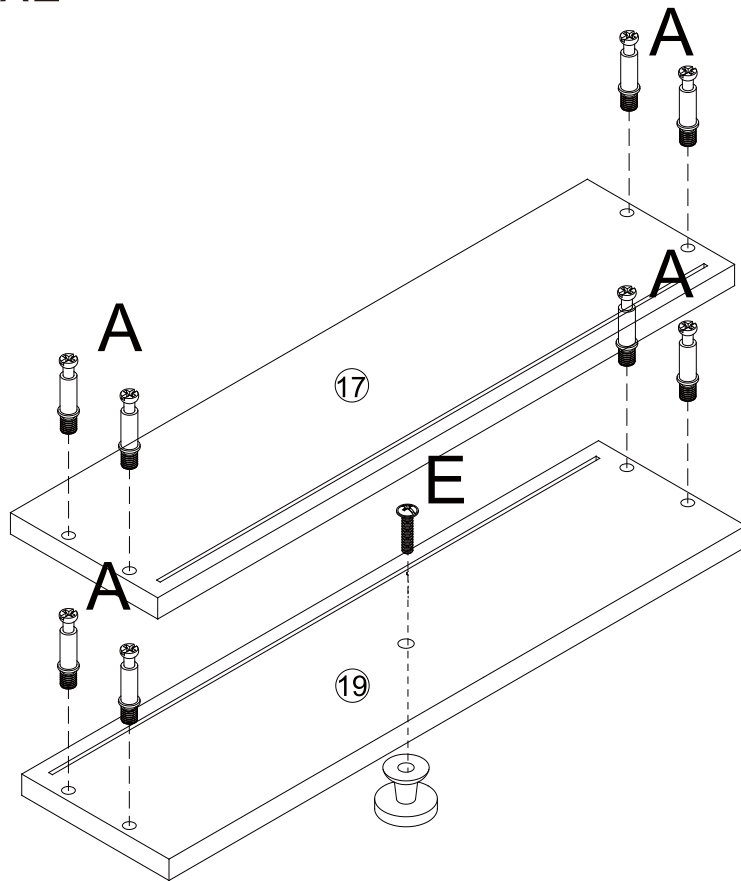
3. Installation on the board with fixing screws



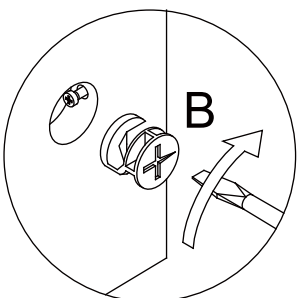
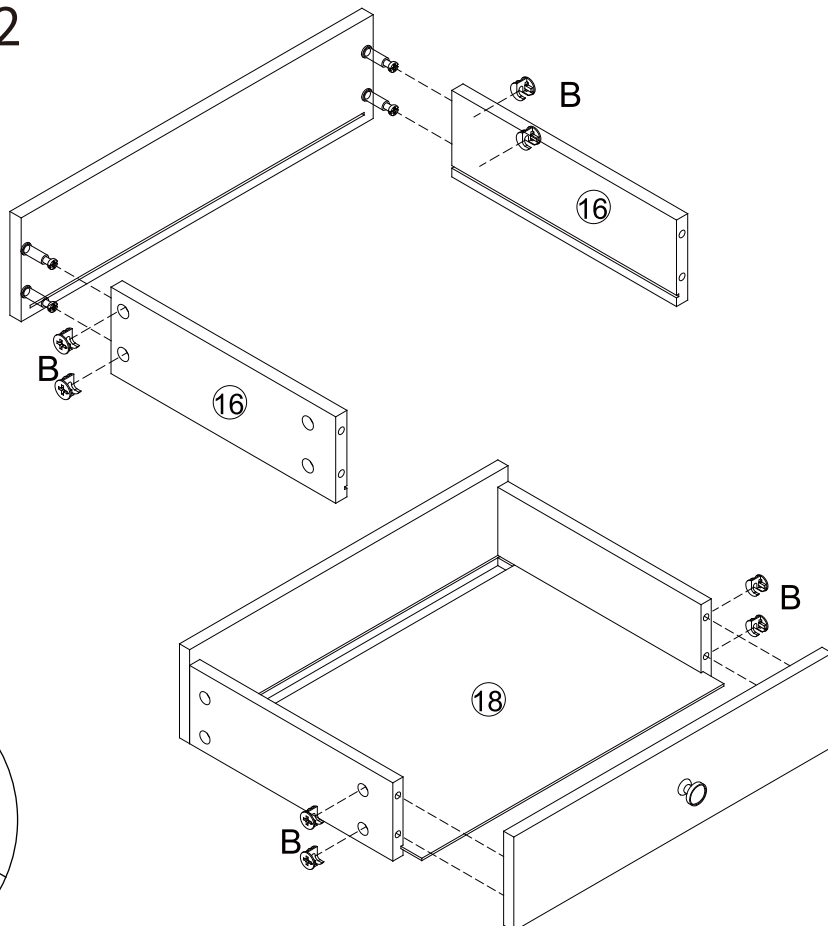
3. Rotate slowly until it stops



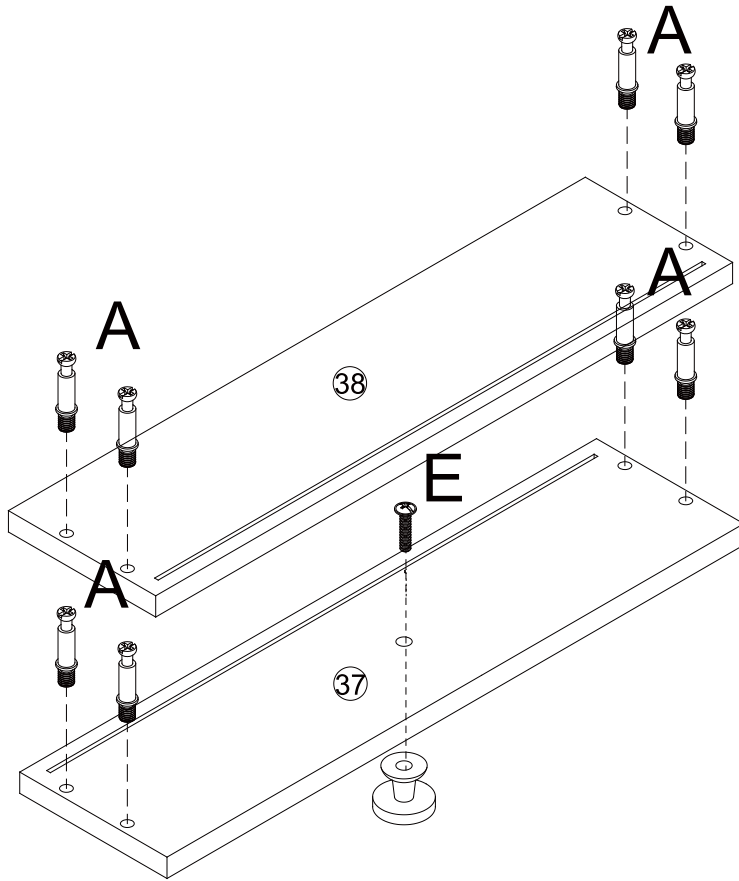
Step 01 X2



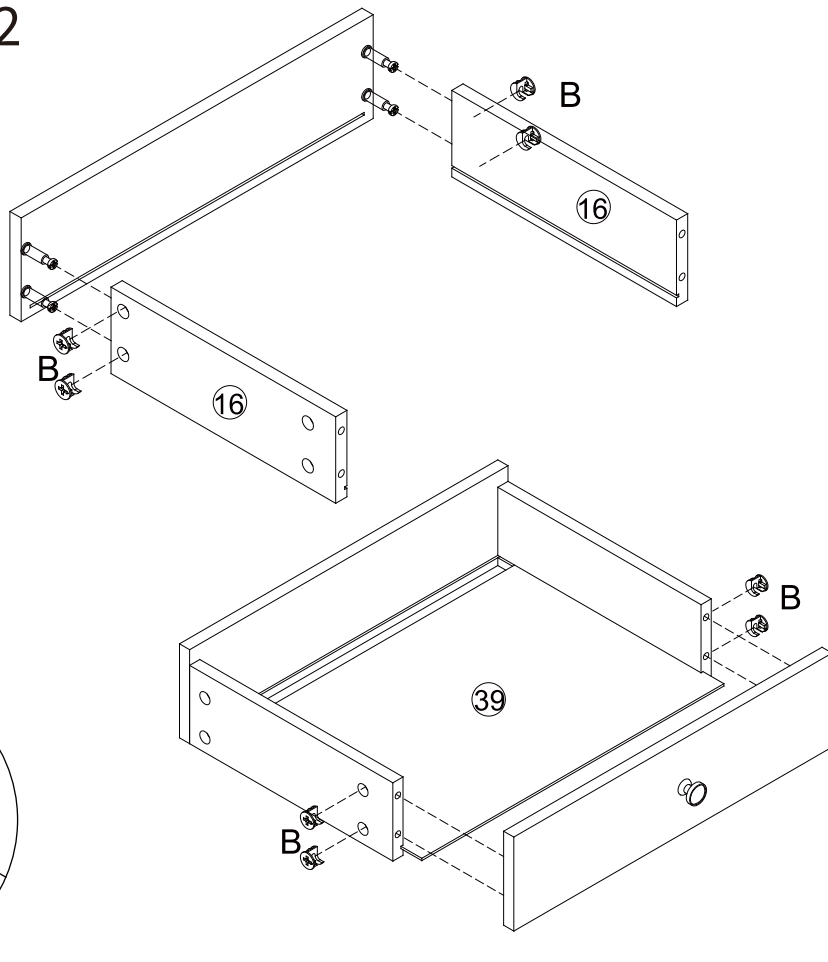
Step 02 X2



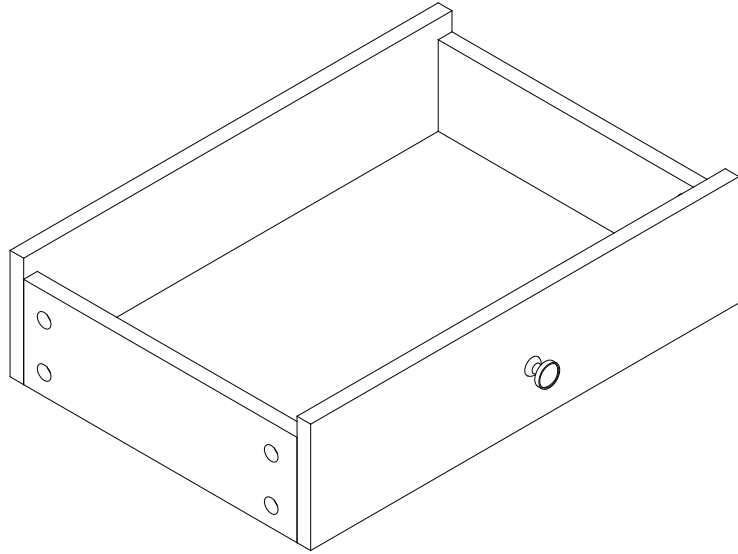
Step 03 X2



Step 04 X2

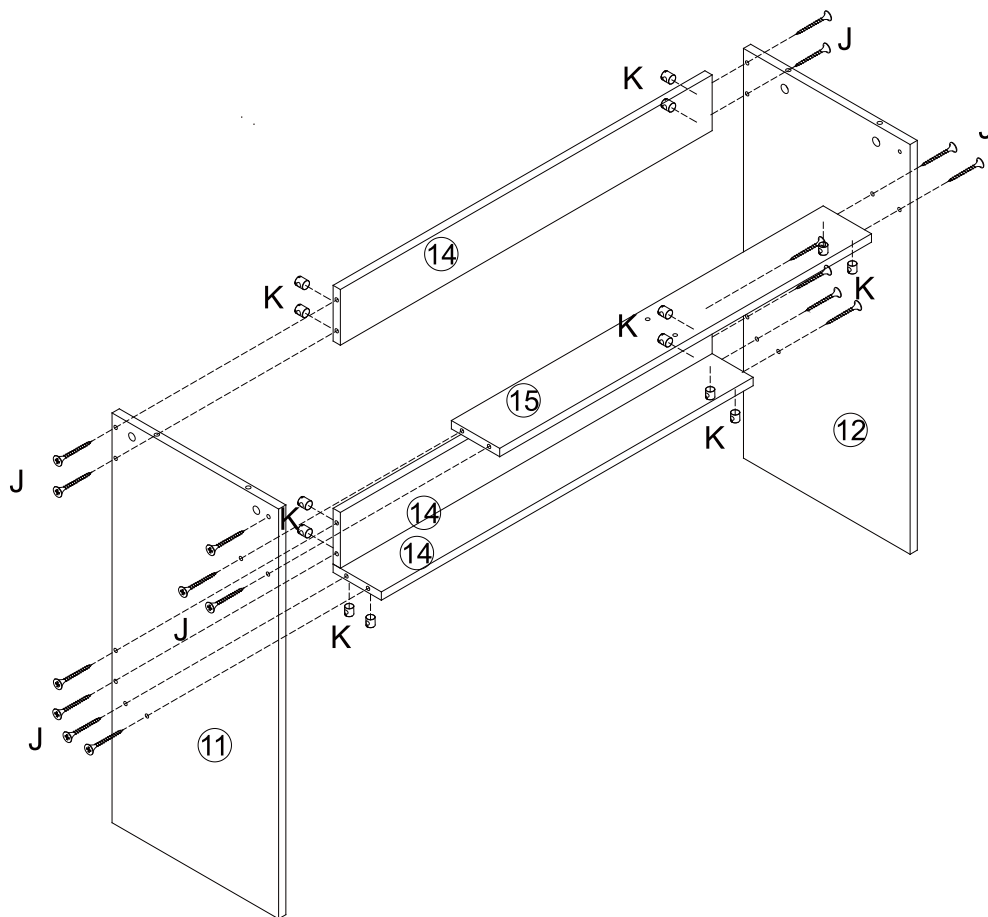


Step 03

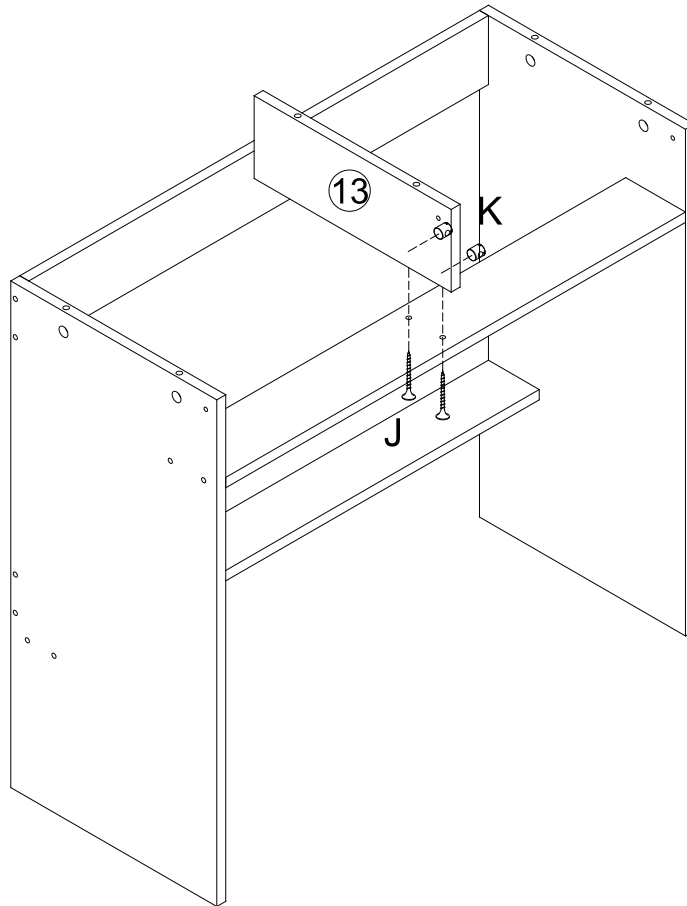


All drawers are installed in the same way

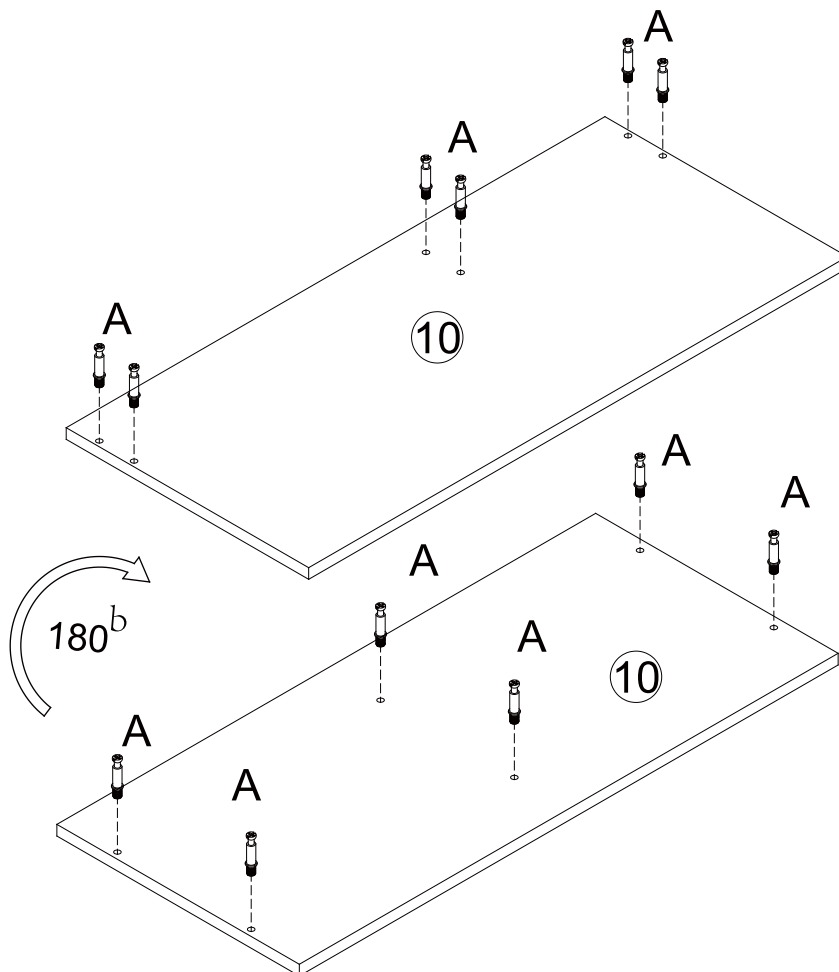
Step 04



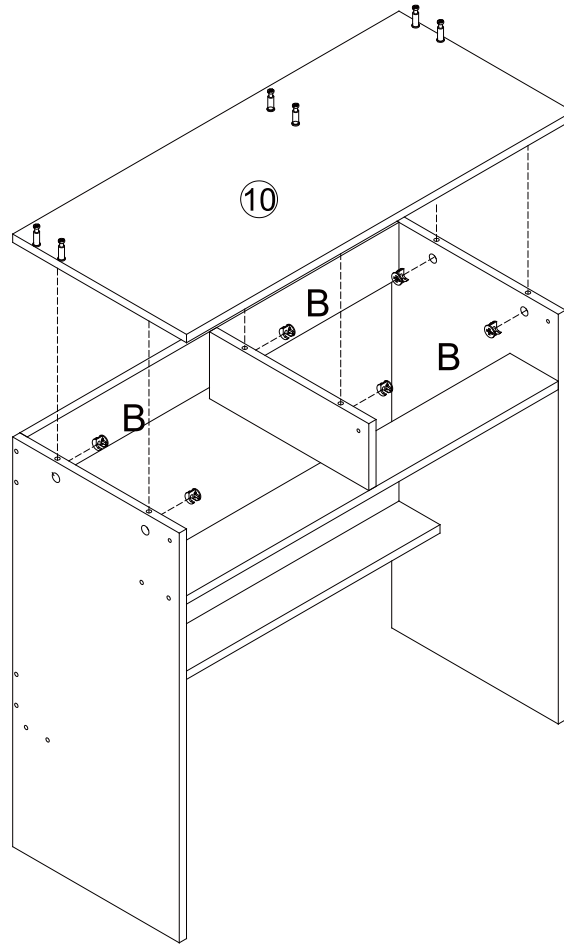
Step 05



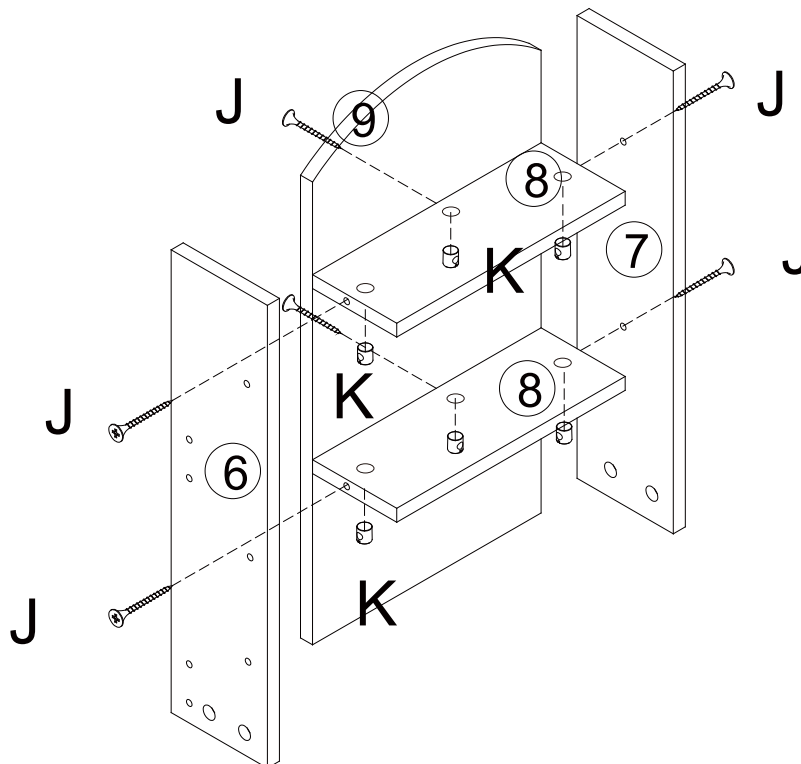
Step 06



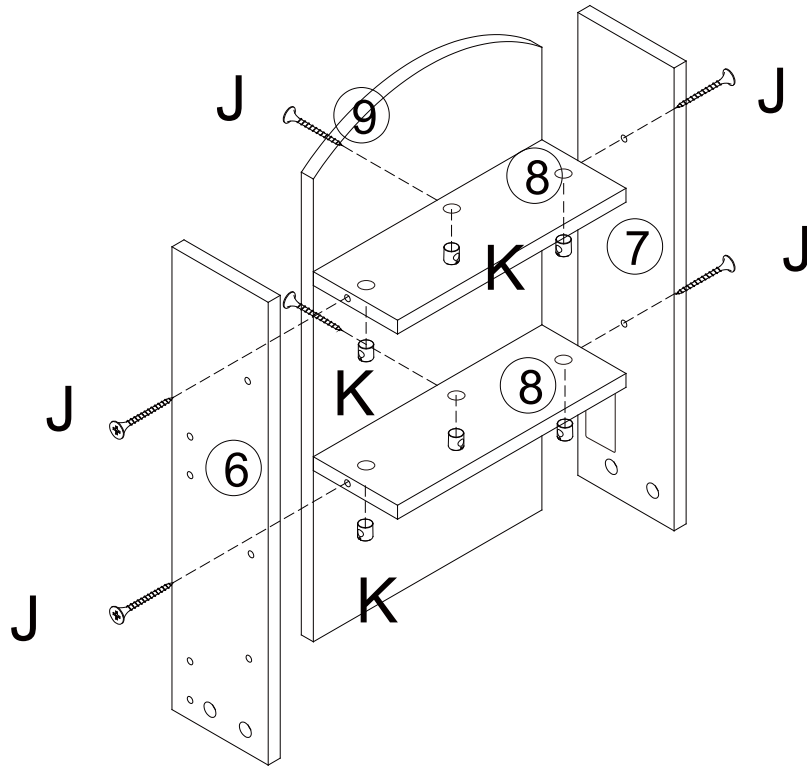
Step 07



Step 08

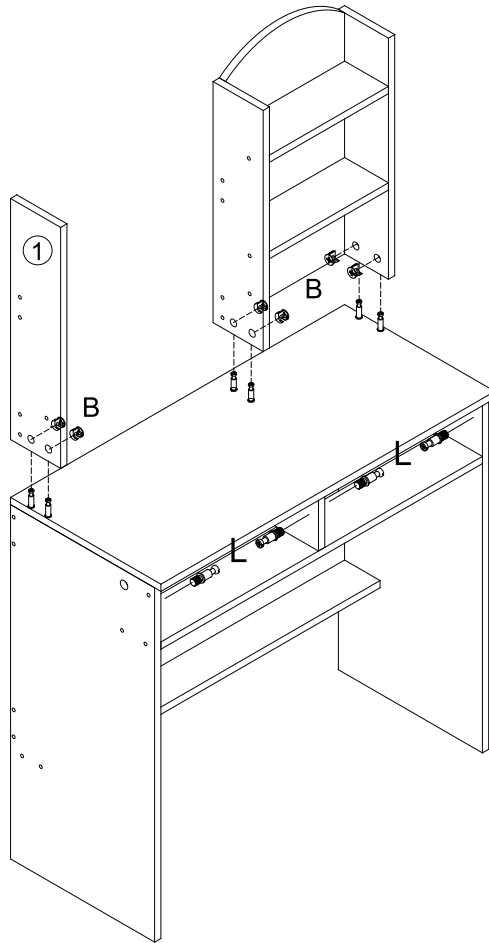


Step 08

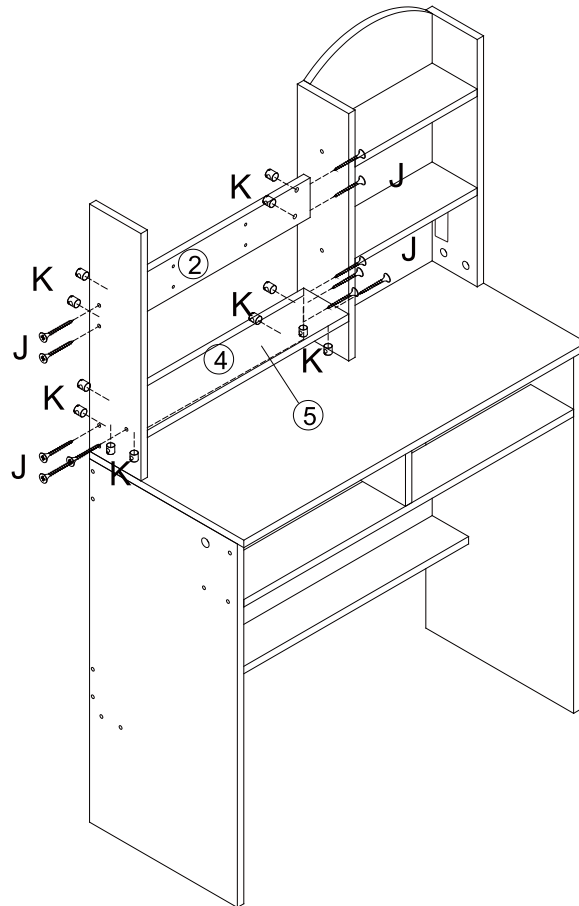


For SVV_JG-W-LS, SVV_JG-B-LS

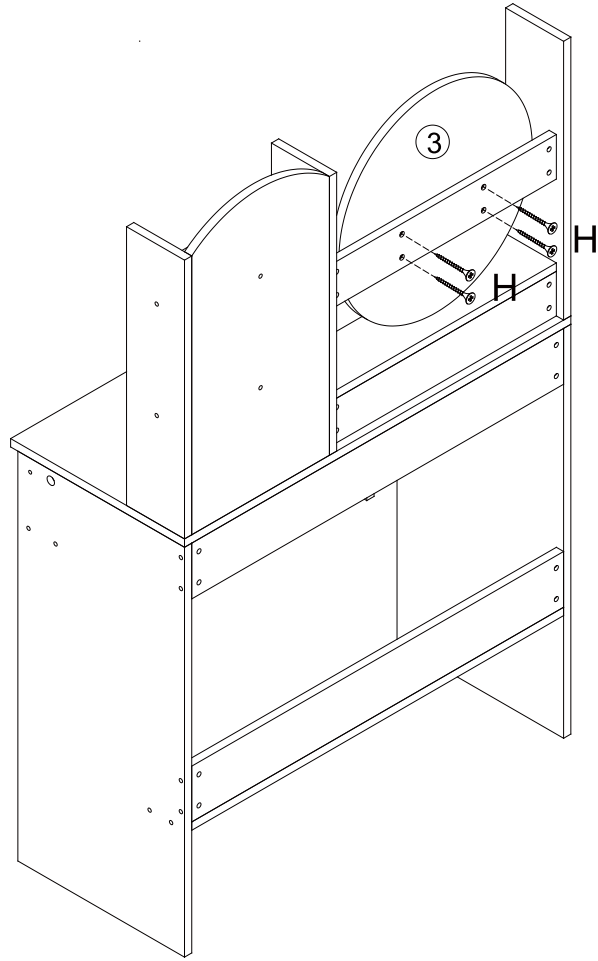
Step 09



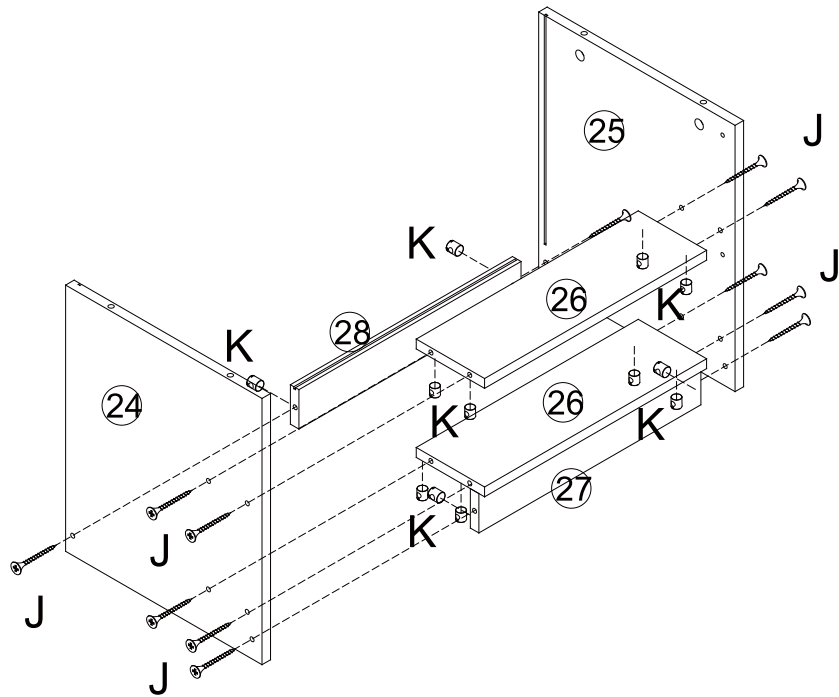
Step 10



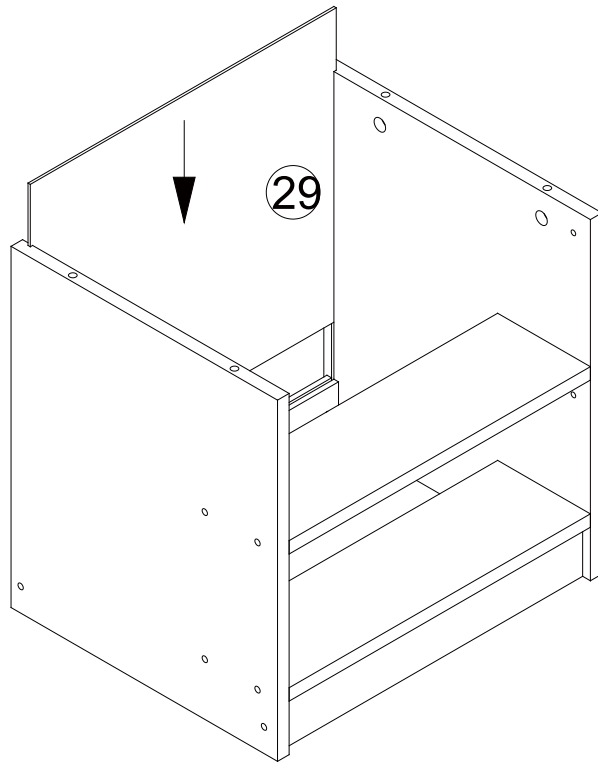
Step 11



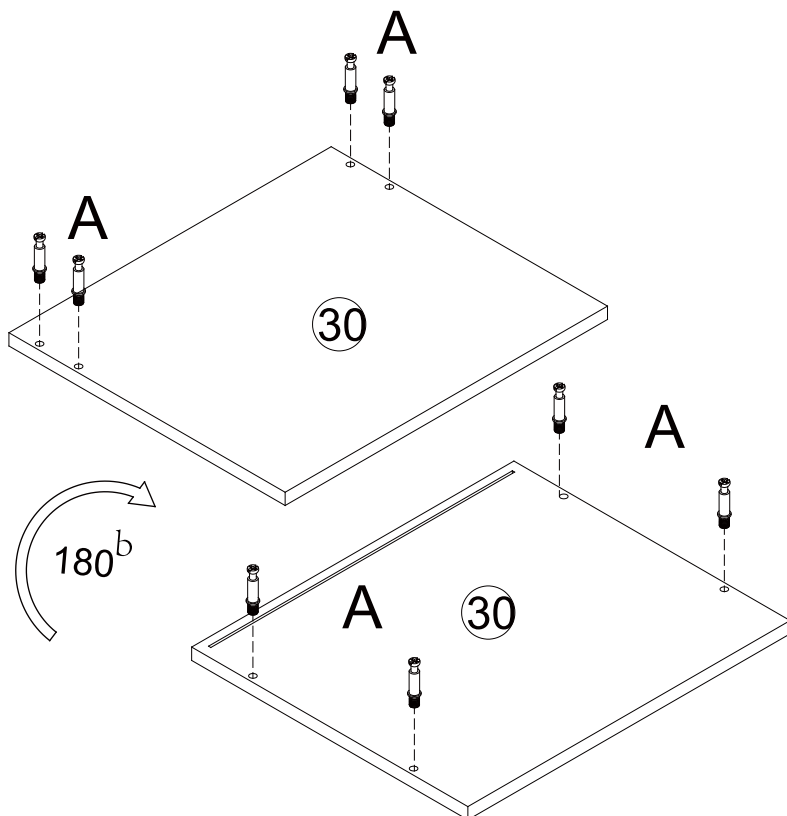
Step 12



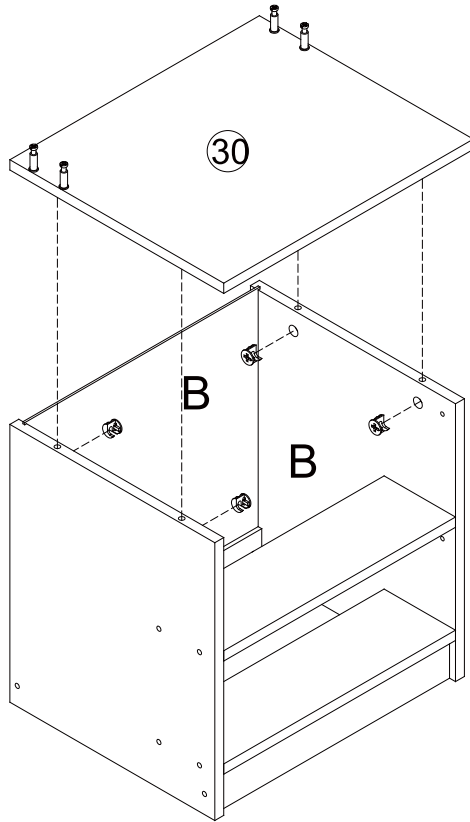
Step 13



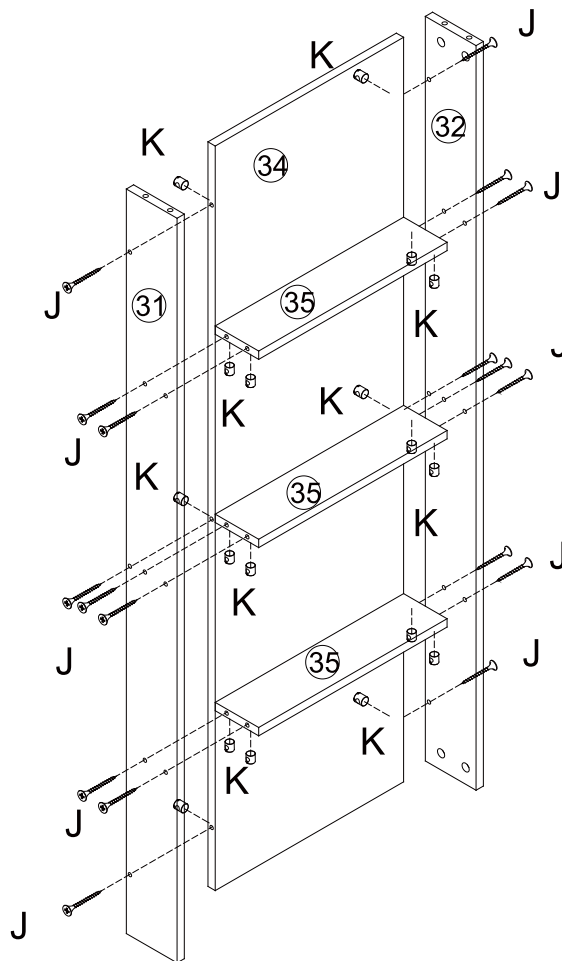
Step 14



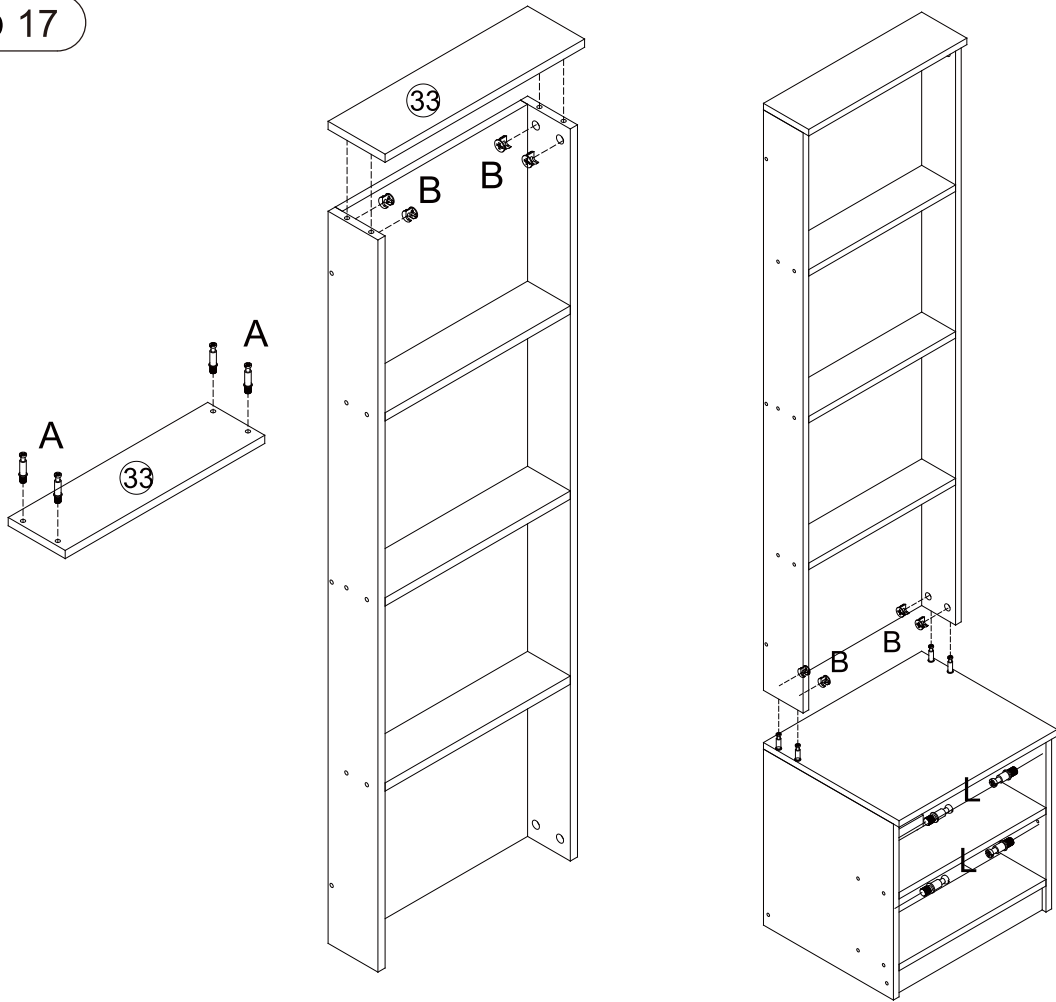
Step 15



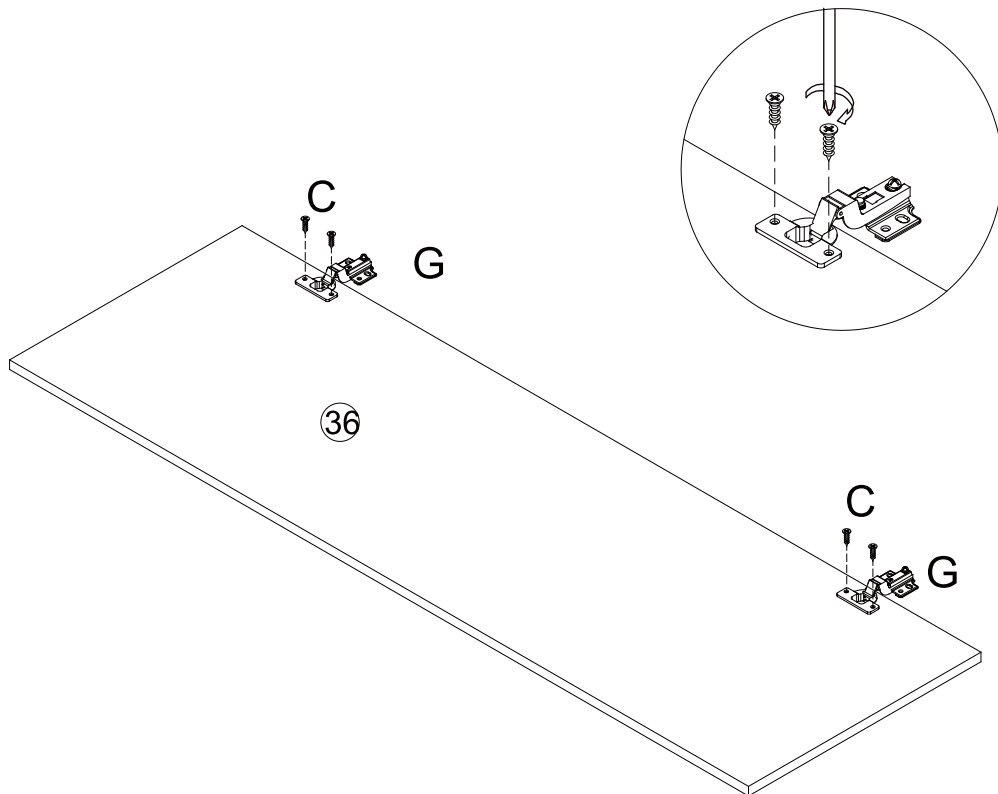
Step 16



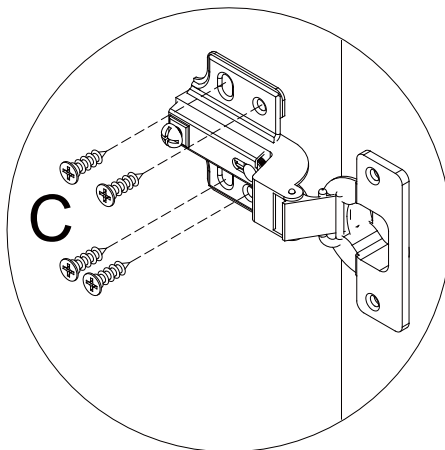
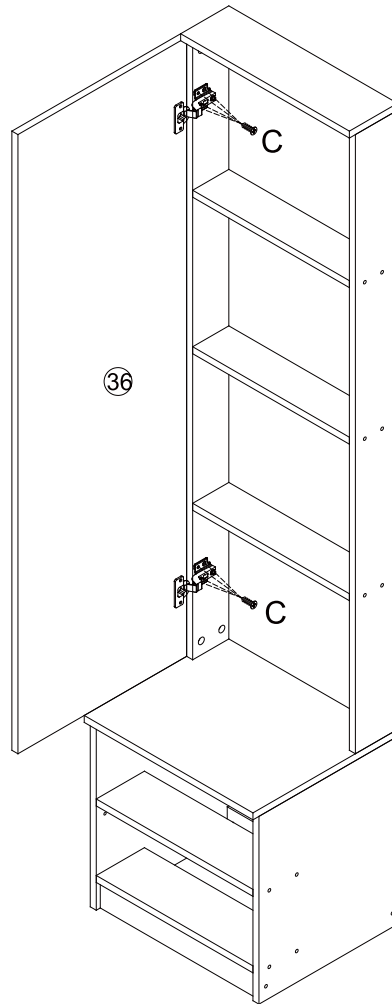
Step 17



Step 18

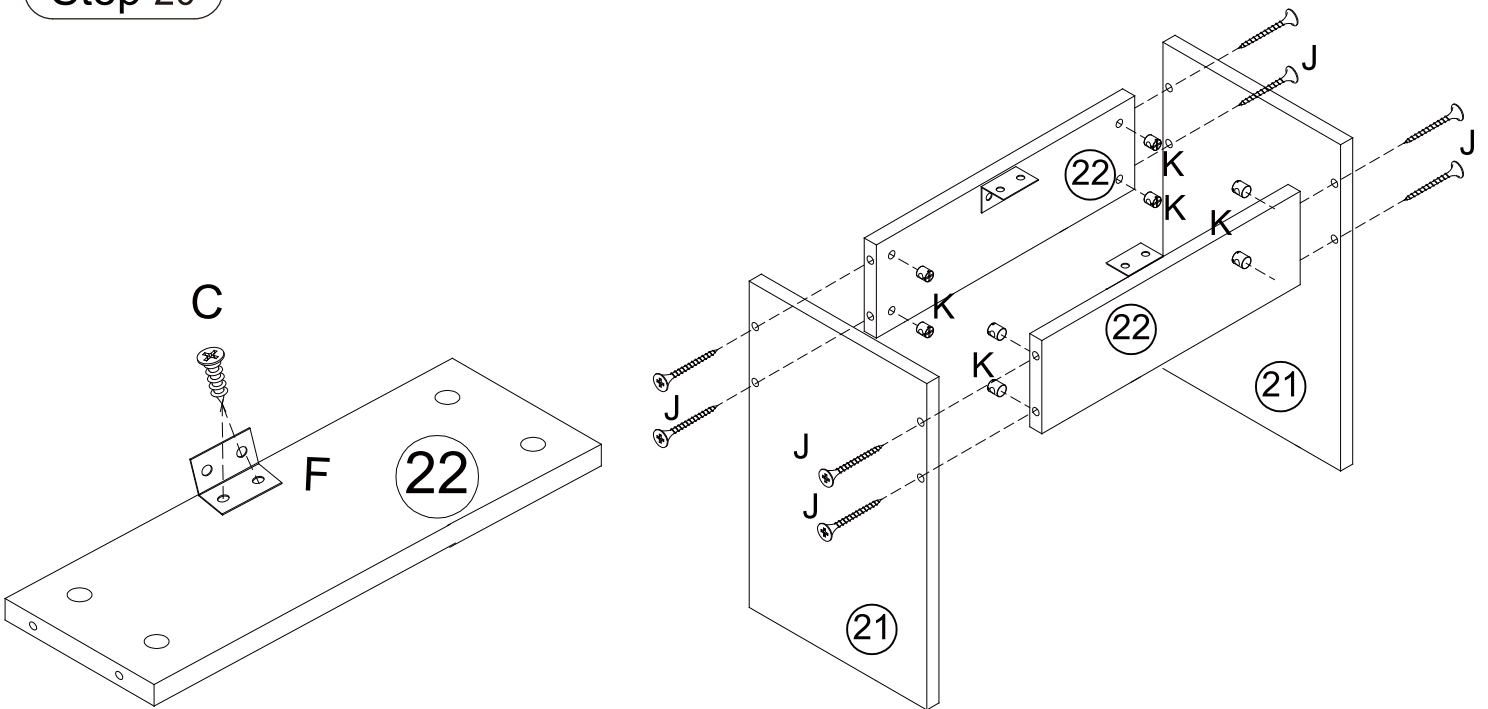


Step 19

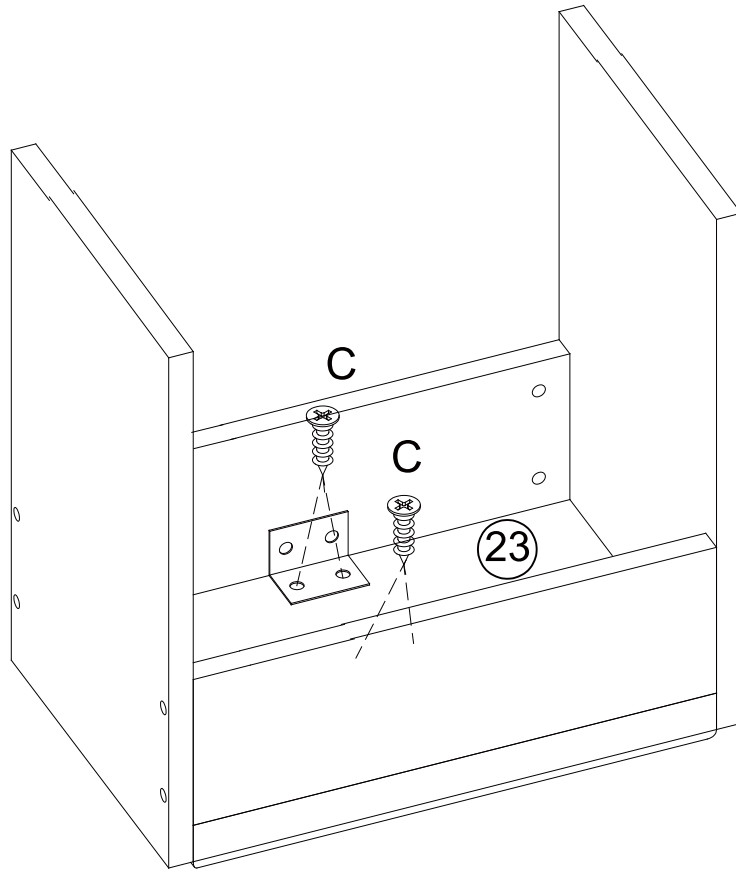


you can adjust the position
of the mirror door and the cabinet
by the two screw in the hinge.

Step 20



Step 21



Step 22

