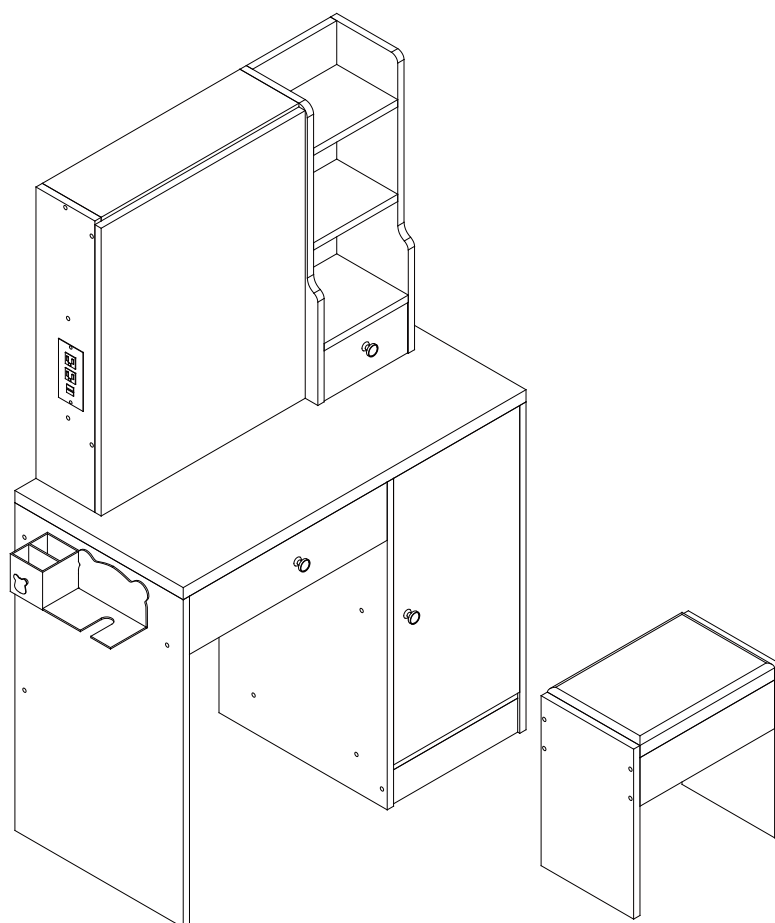
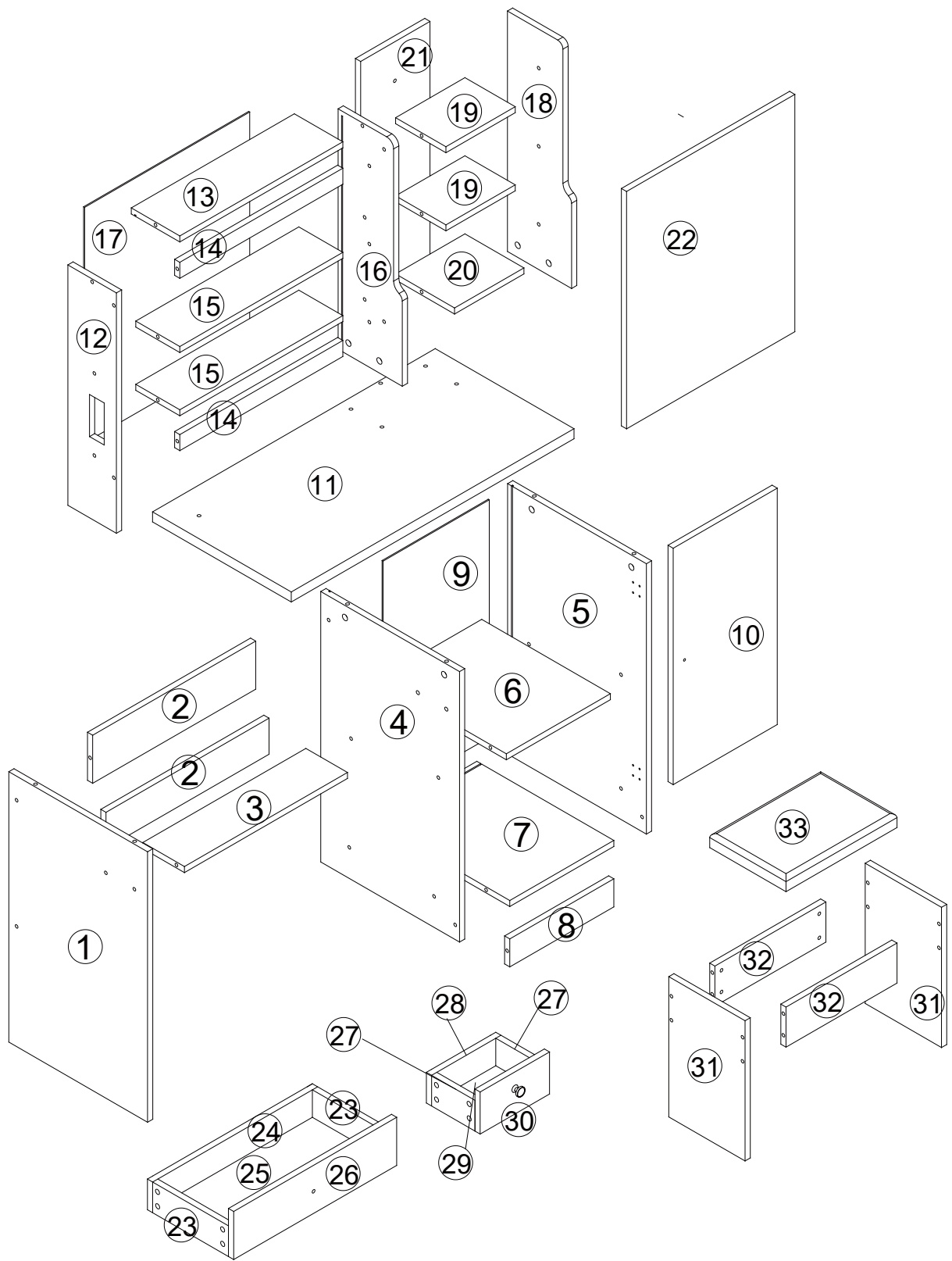


# **CRAZY ELF DRESSING TABLE T82**

## **INSTALLATION MANUAL**

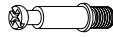


**Thank you for purchasing the goods in our store this time  
Please read this manual carefully before using it  
Please keep this manual properly**



1 - xl	6 - xl	11 - xl	16 - xl	21 - xl	26 - xl	31 - x2
2 - x2	7 - xl	12 - xl	17 - xl	22 - xl	27 - x2	32 - x2
3 - xl	8 - xl	13 - xl	18 - xl	23 - x2	28 - xl	33 - xl
4 - xl	9 - xl	14 - x2	19 - x2	24 - xl	29 - xl	
5 - xl	10 - xl	15 - x2	20 - xl	25 - xl	30 - xl	

# HARDWARE



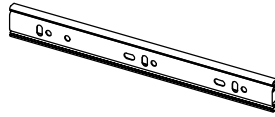
A	SCREW	28
---	-------	----



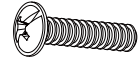
B	METAL LOCK	x28
---	------------	-----



C	SCREW	x30
---	-------	-----



D	RAIL	x2
---	------	----



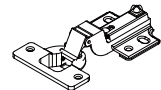
E	SCREW	x3
---	-------	----



F	L PLATE	x2
---	---------	----



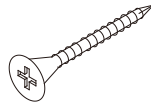
G	DRAWER FIXING PIN	x2
---	----------------------	----



H	HINGE	x2
---	-------	----



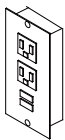
L	HANDLE	x3
---	--------	----



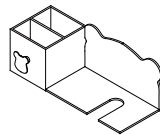
J	SCREW	x4.5
---	-------	------



K	PLASTIC LOCK	x4.5
---	-----------------	------



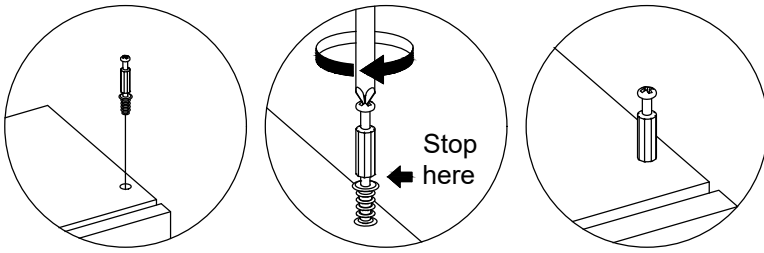
M	SOCKET	x1
---	--------	----



N	HAIR DRYER BRACKET	x1
---	-----------------------	----

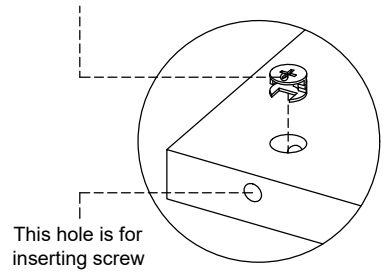
**1. Screw installation method**

When the screw is installed, please keep it in line with the board, and do not tighten it too tightly

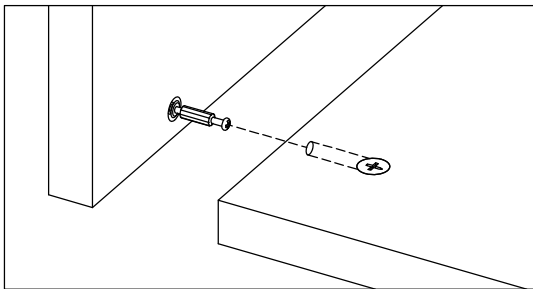


**2. Check the Nut direction**

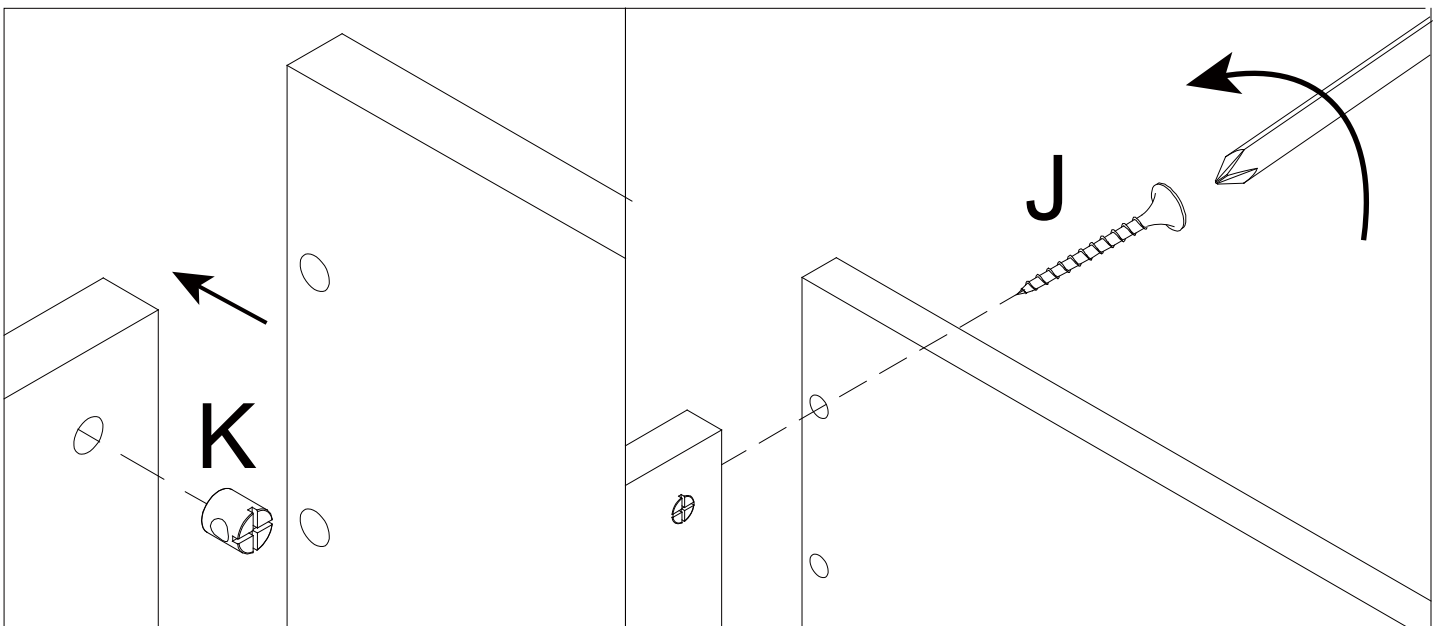
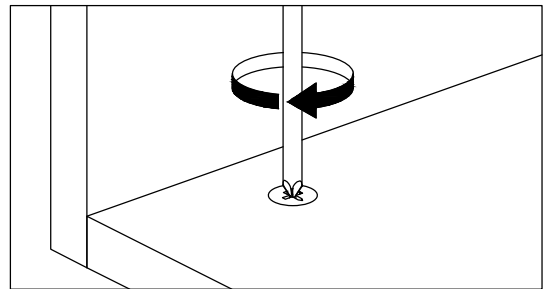
This direction of the marked nut is consistent with the direction in which the screw is inserted



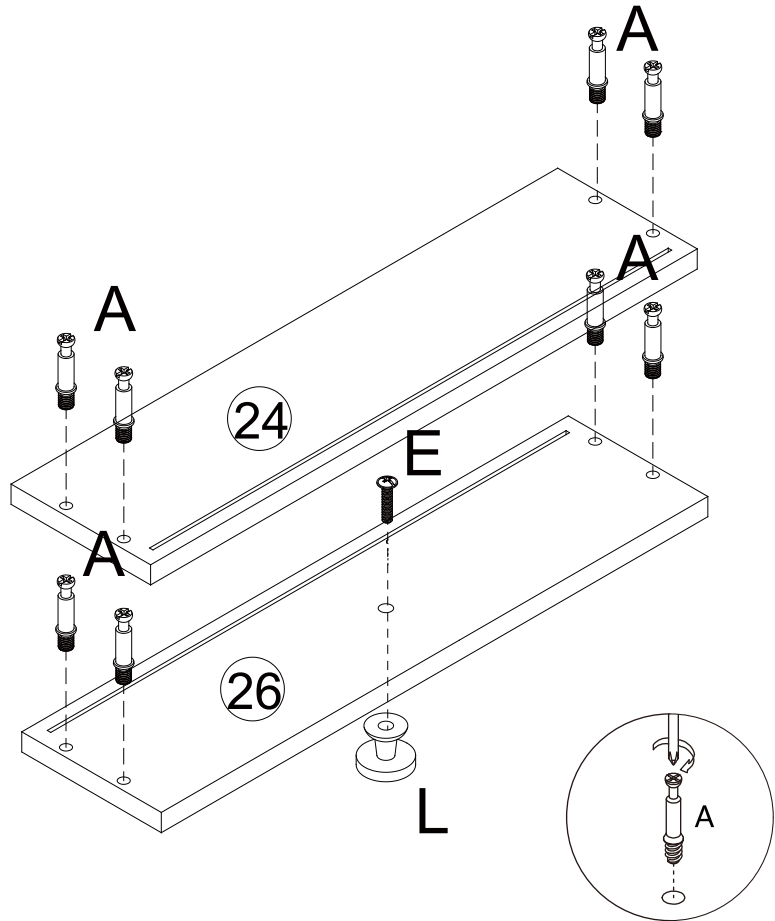
**3. Installation on the board with fixing screws**



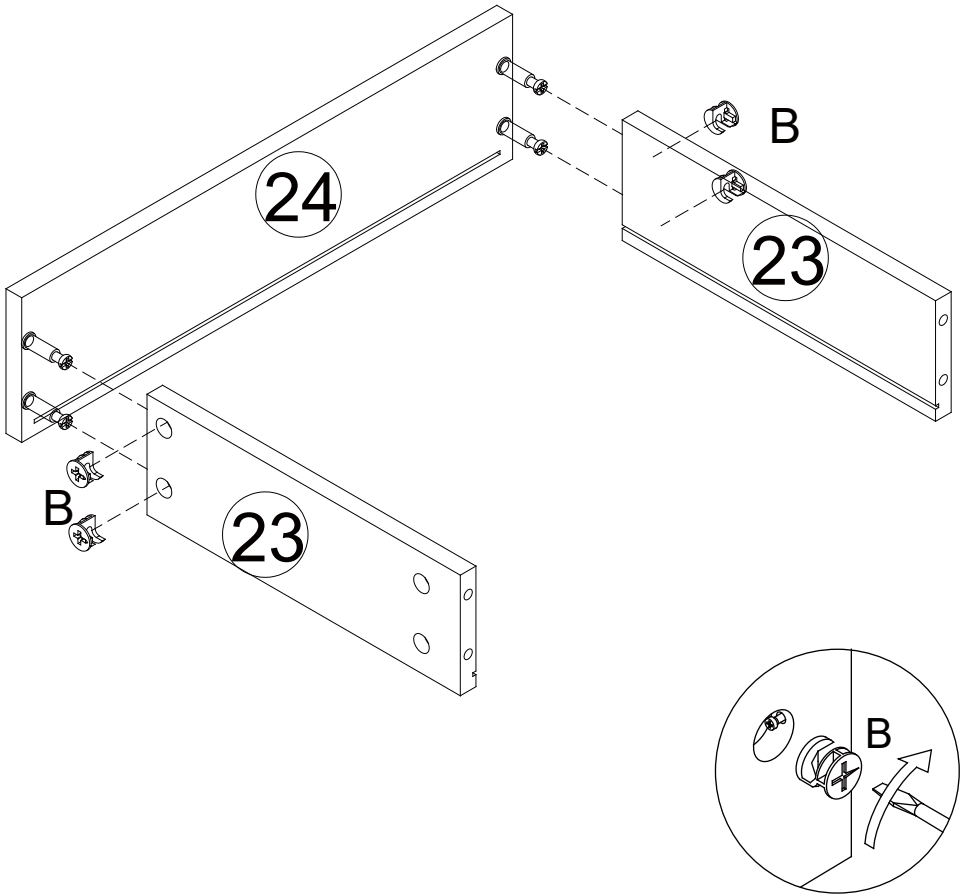
**3. Rotate slowly until it stops**



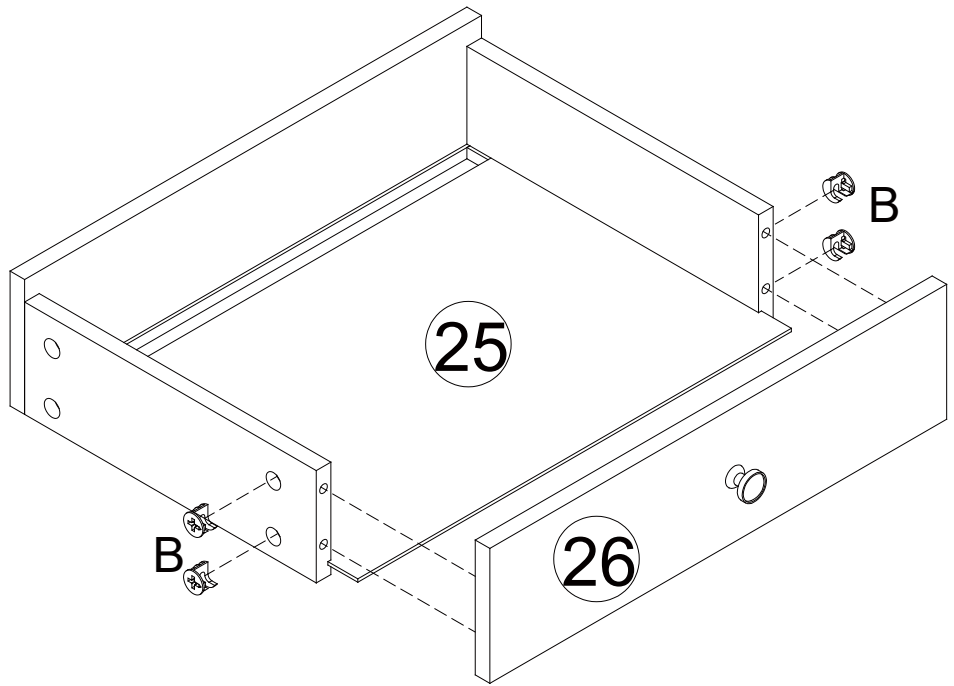
Step 01



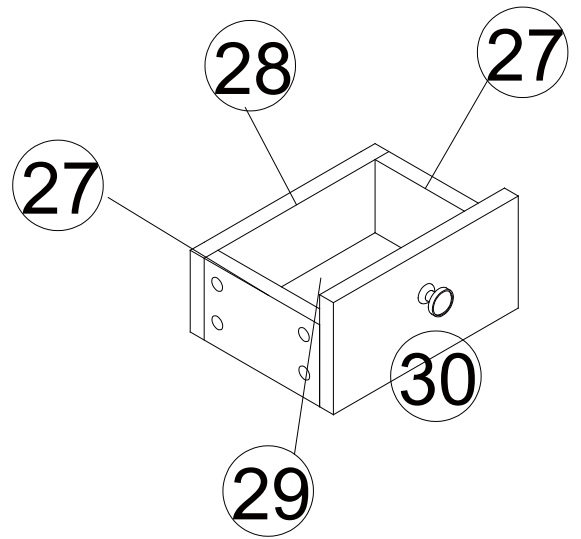
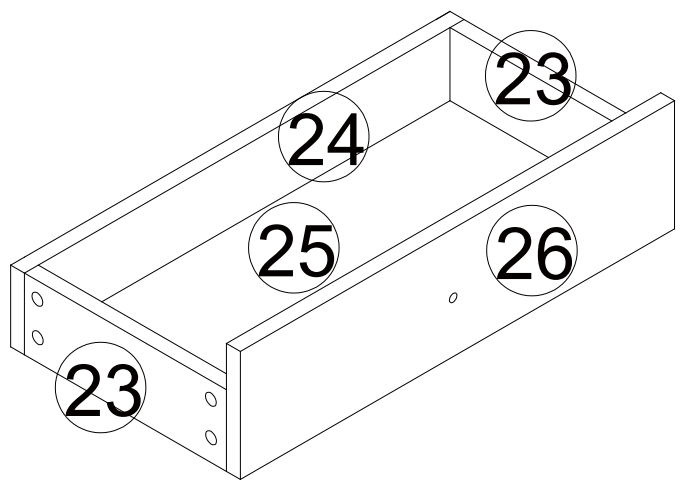
Step 02



Step 03

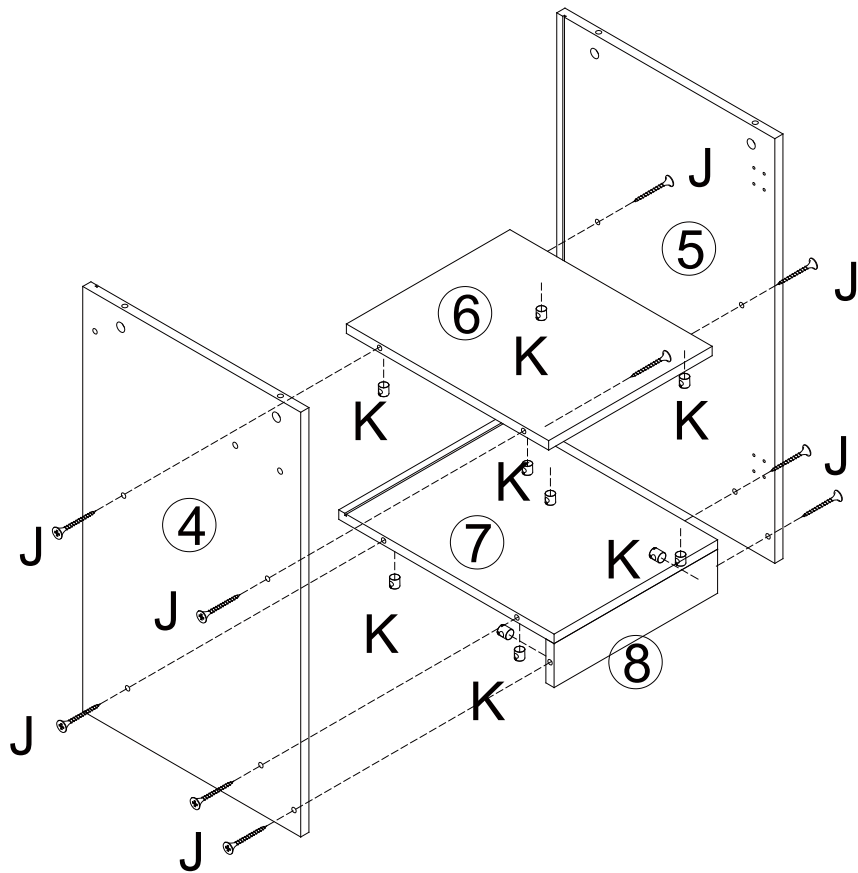


Step 04

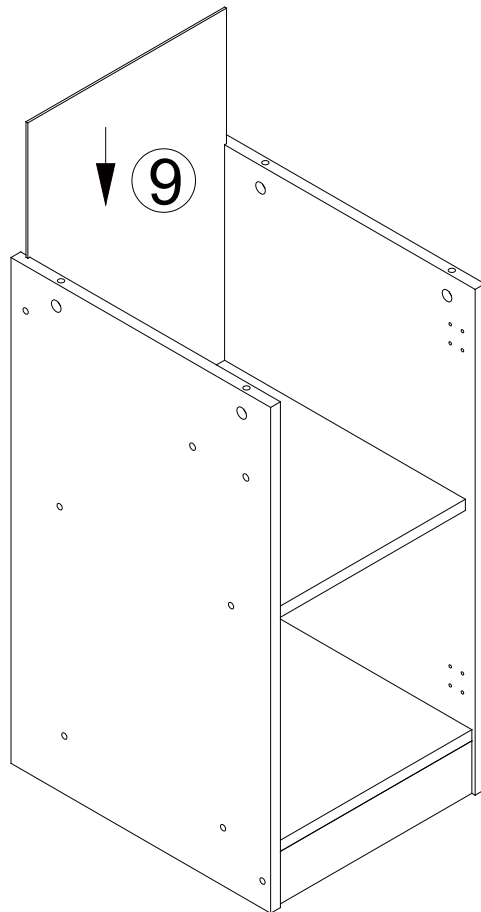


Three drawers are installed in the same way

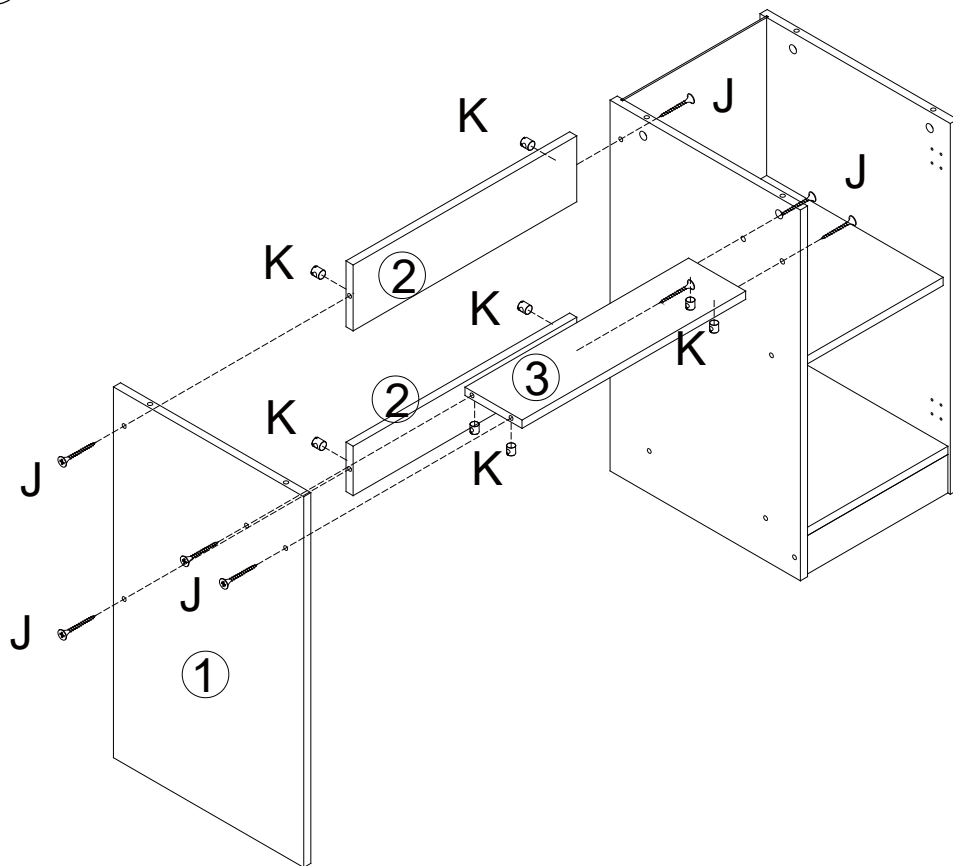
Step 05



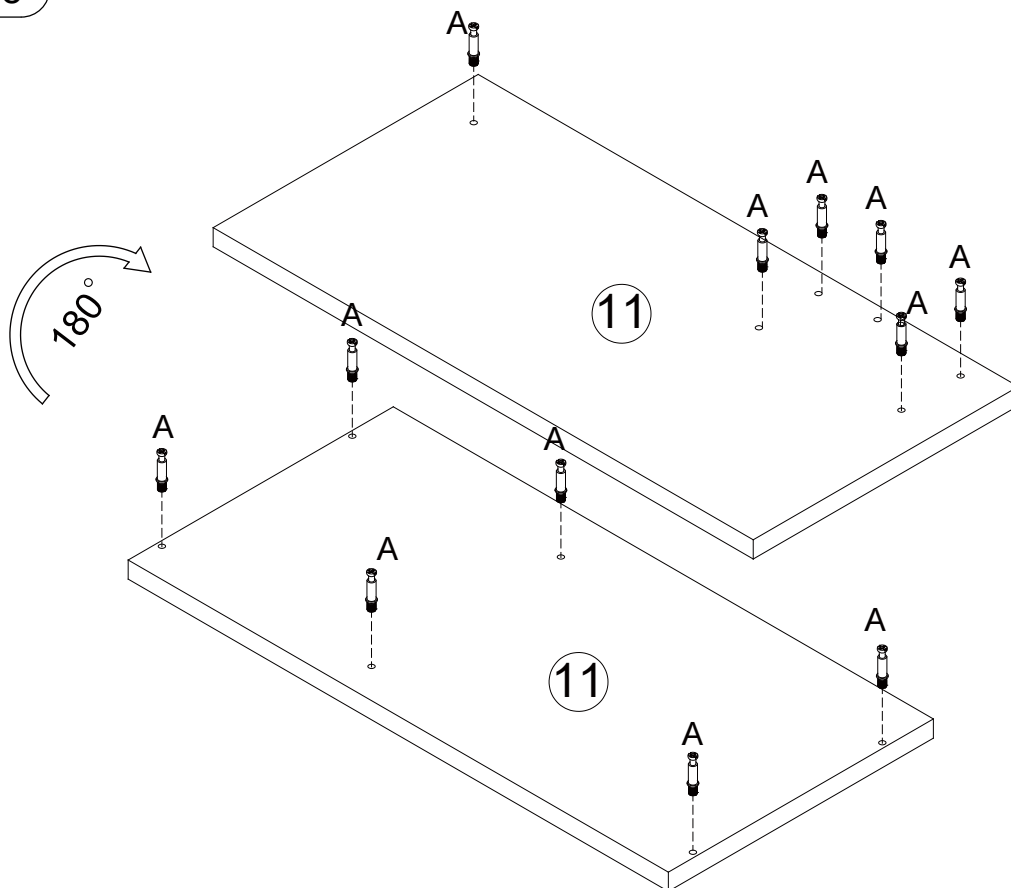
Step 06



Step 07

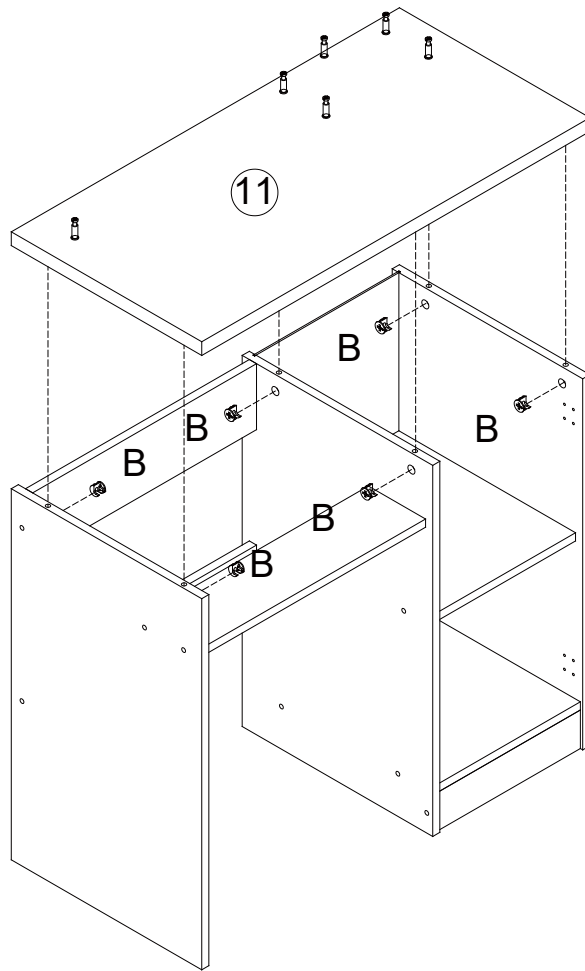


Step 08

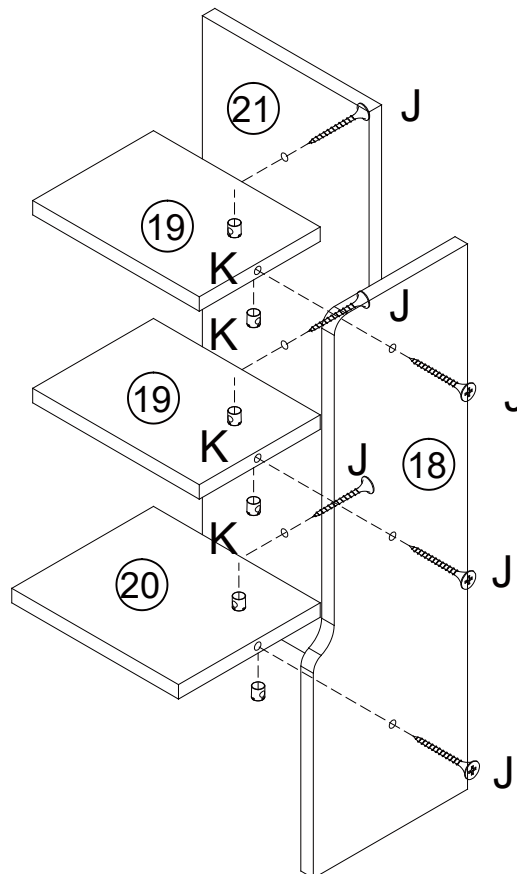




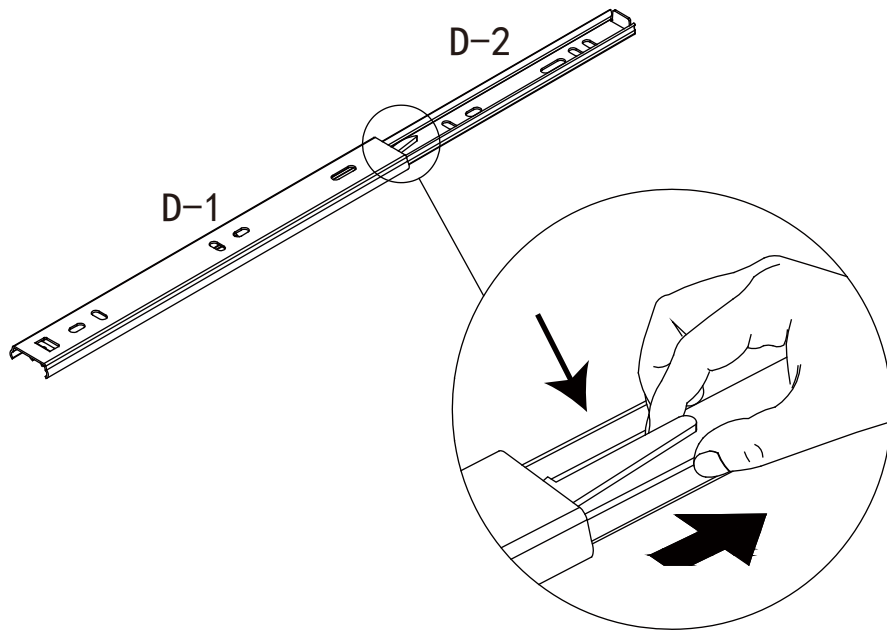
Step 09



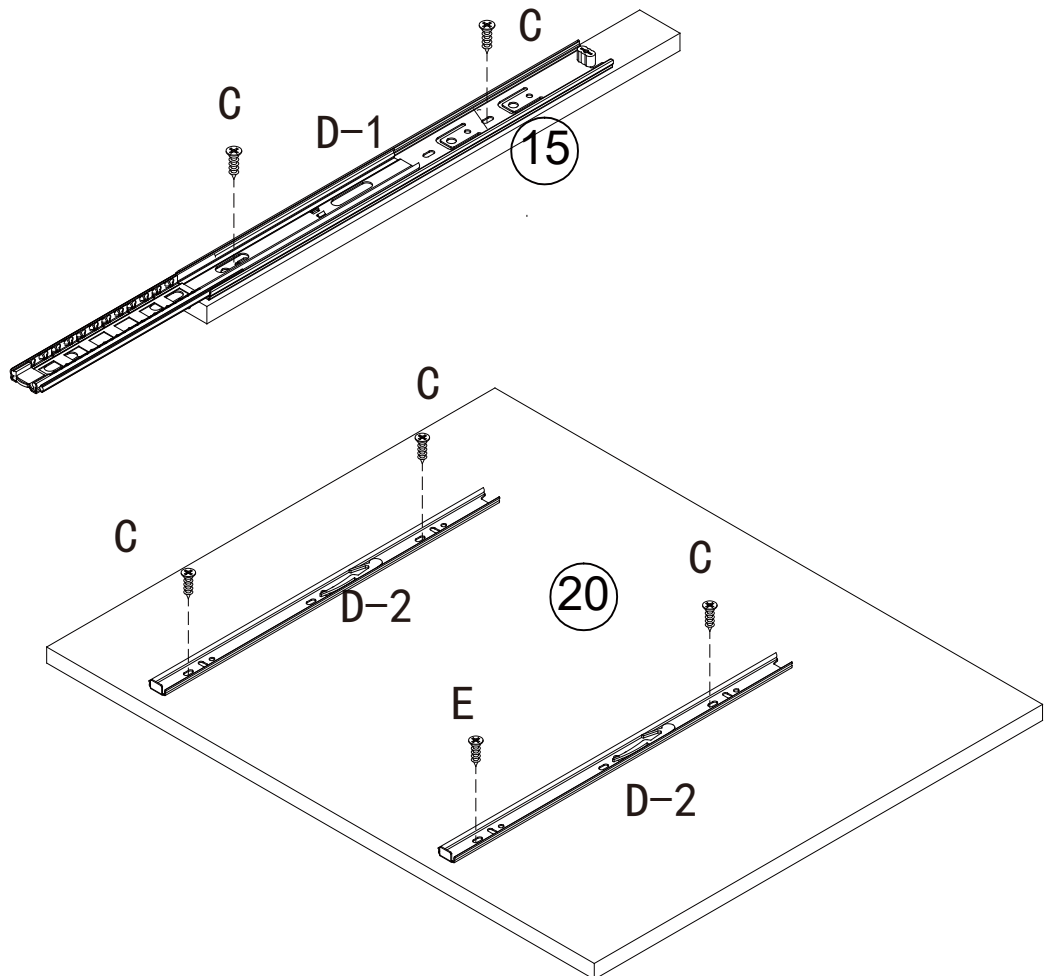
Step 10



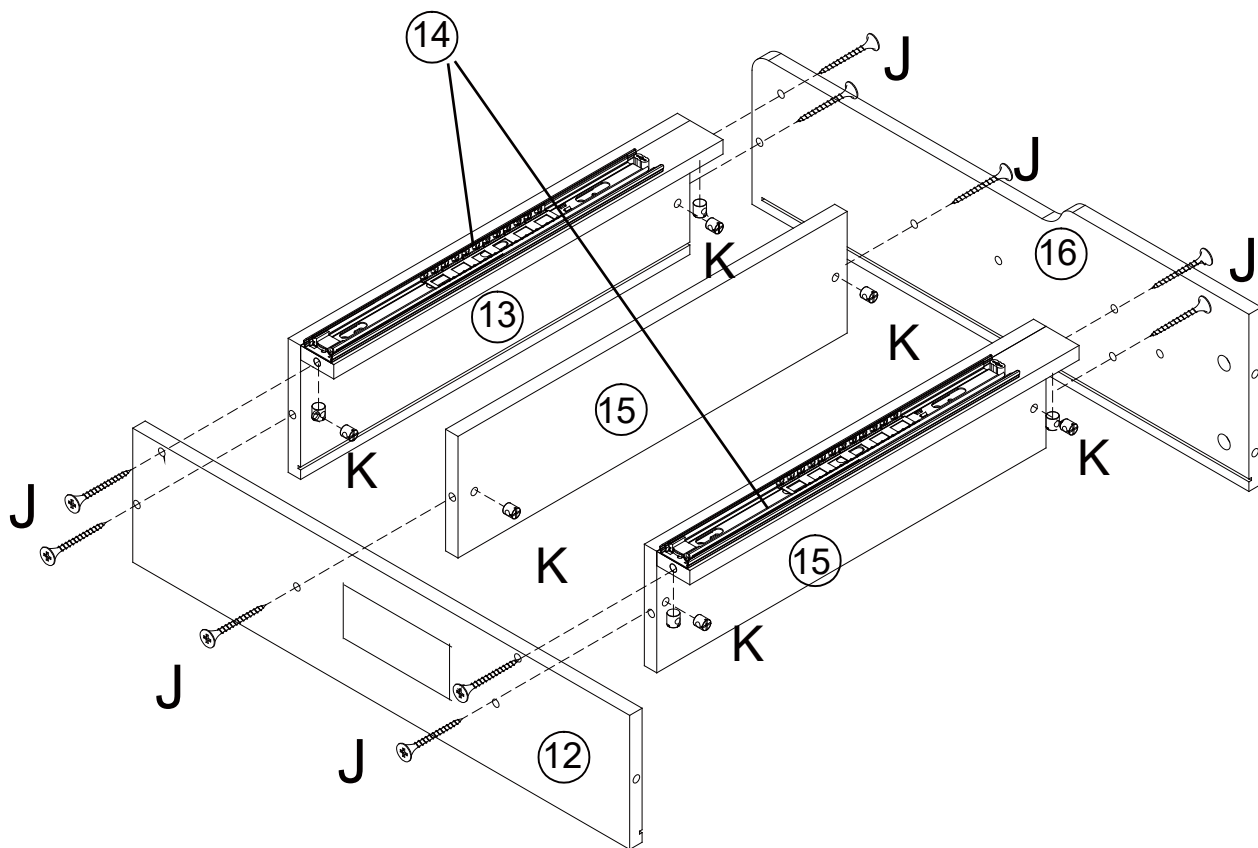
Step 11



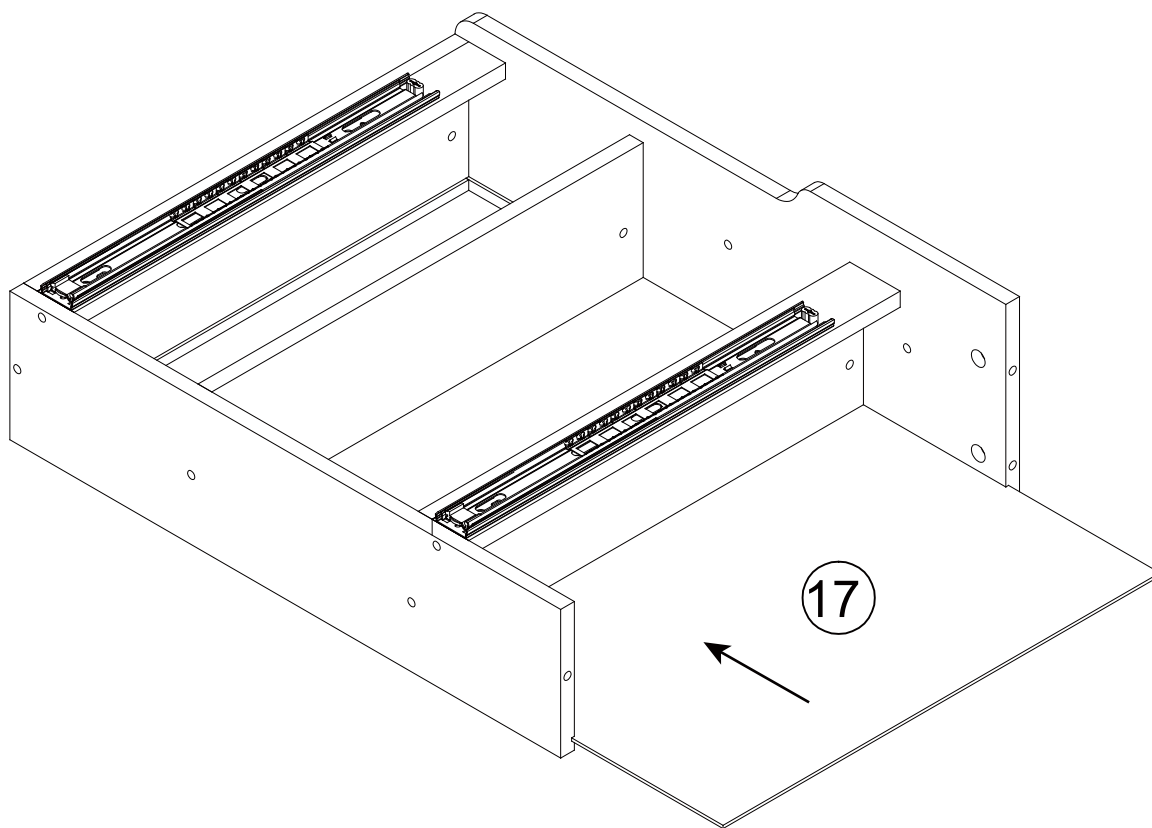
Step 12



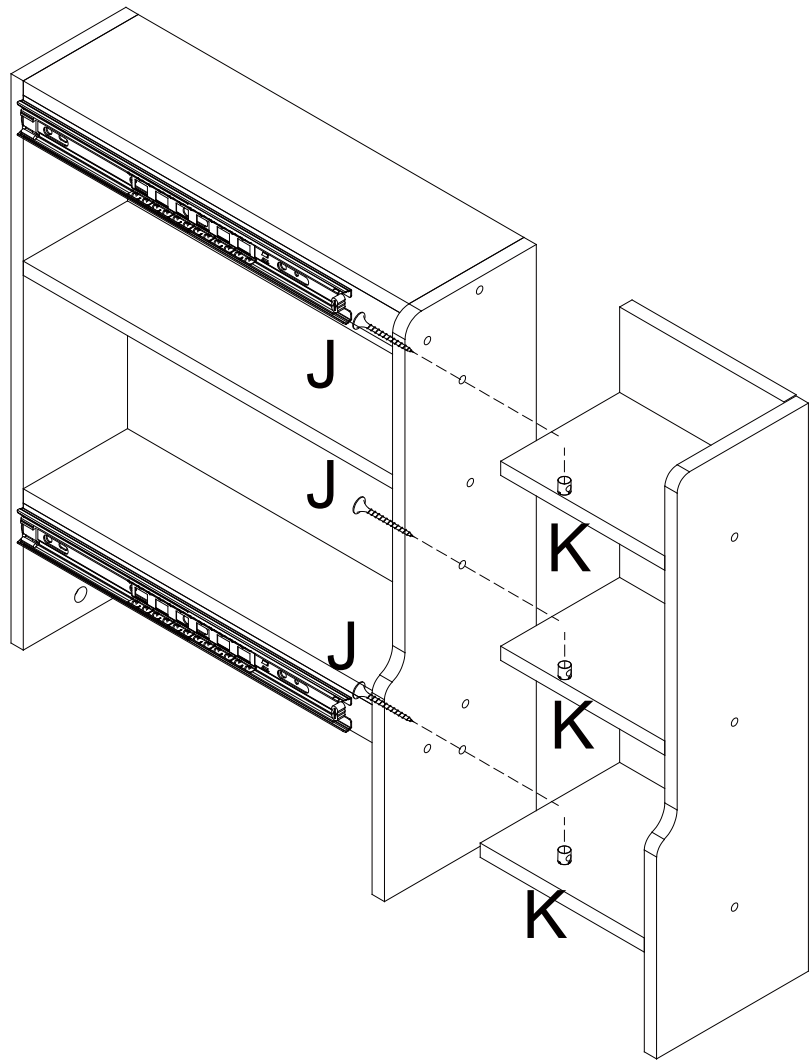
Step 13



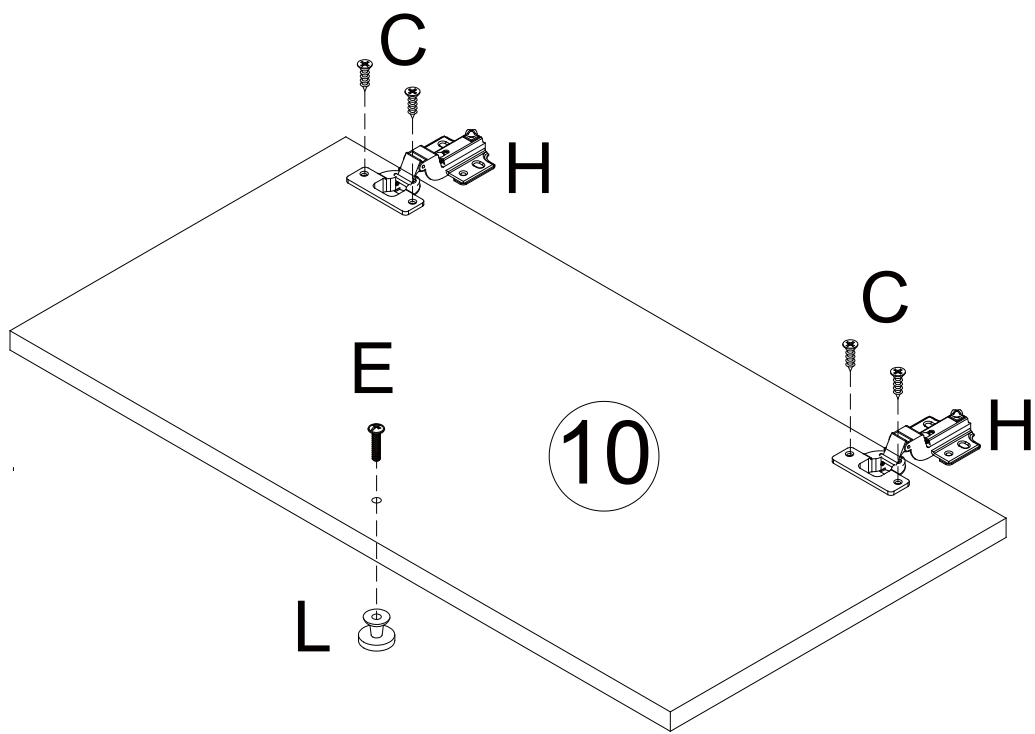
Step 14



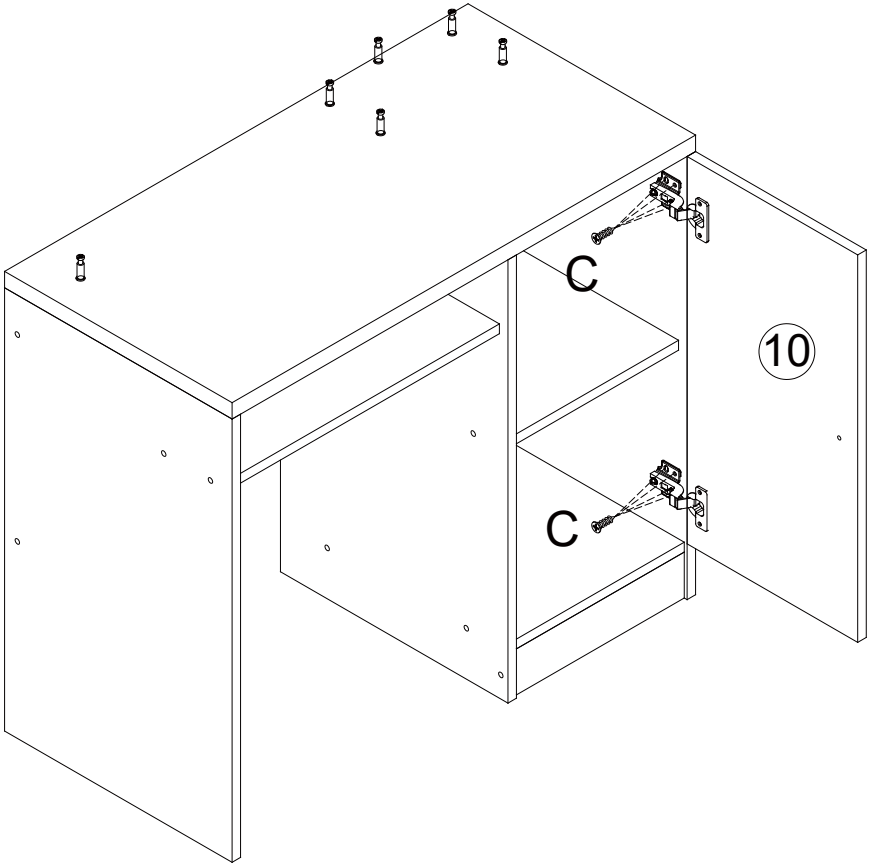
Step 15



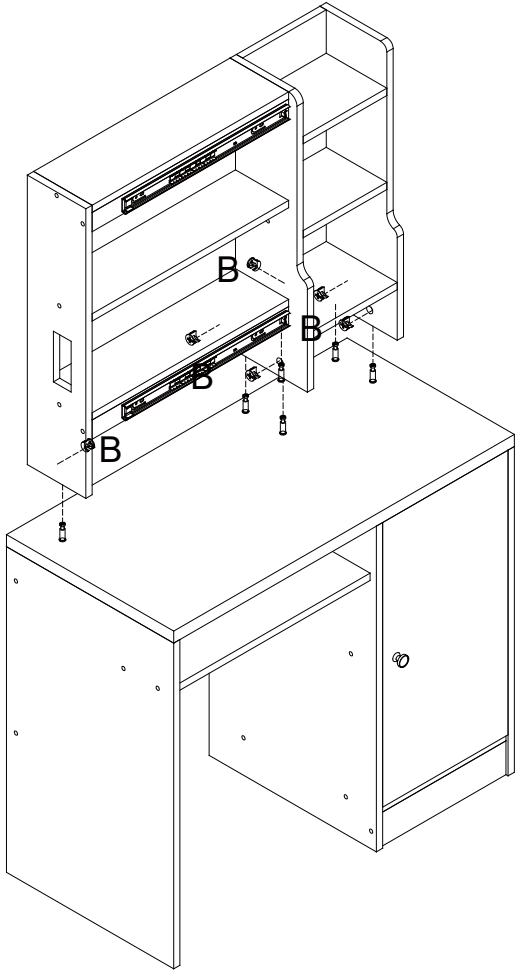
Step 16



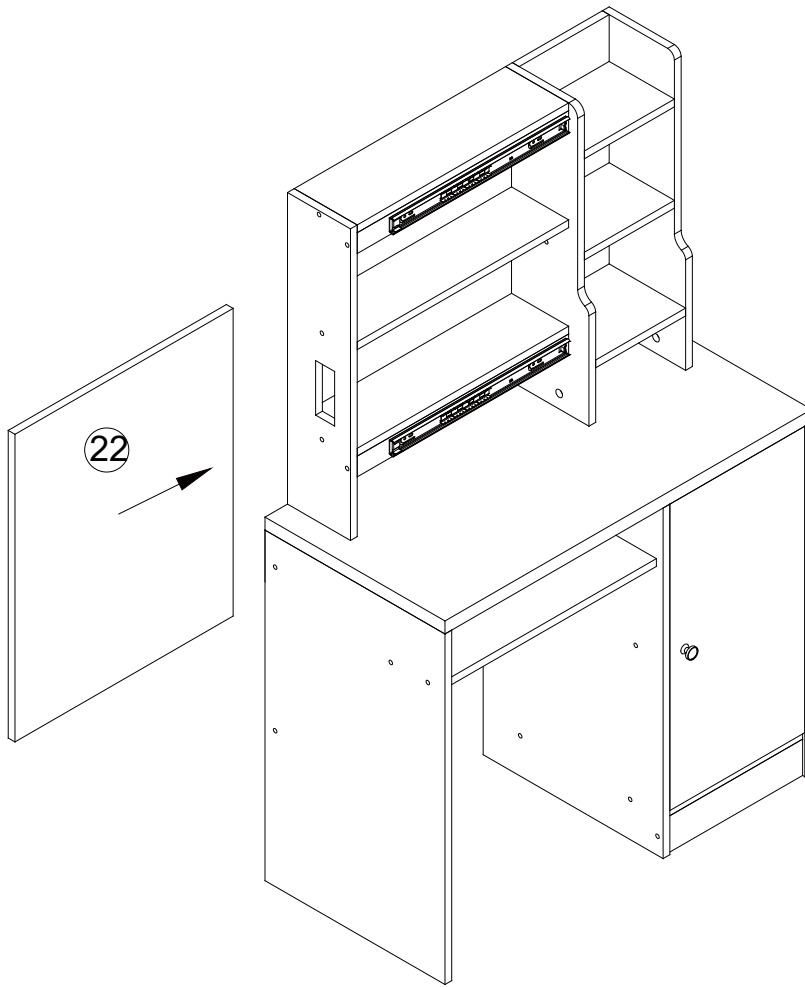
Step 17



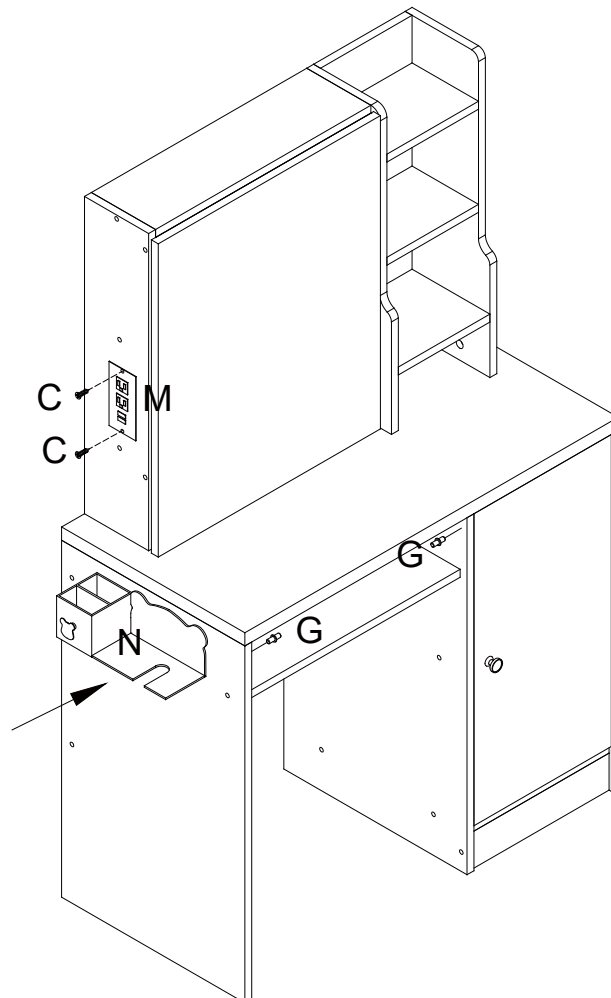
Step 18



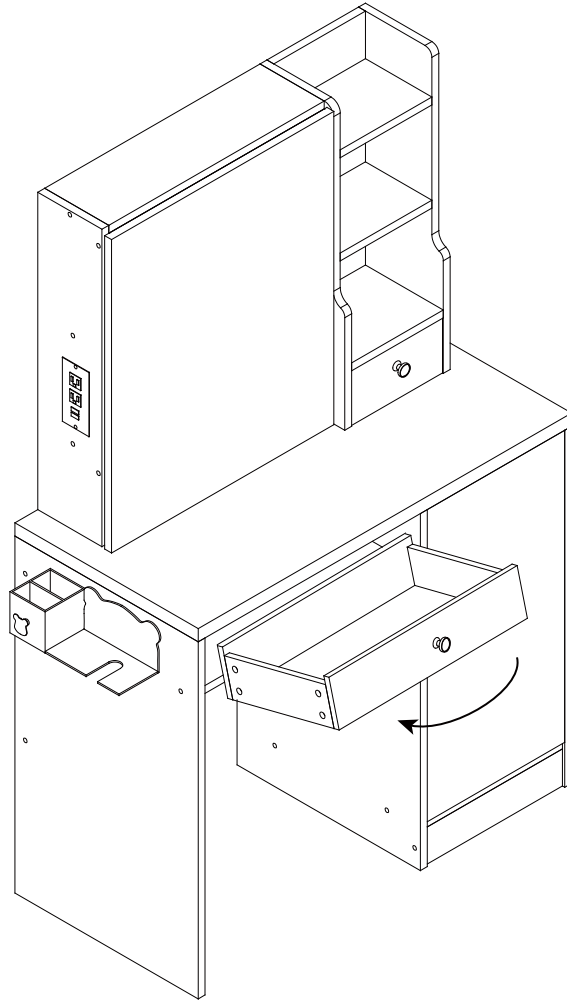
Step 19



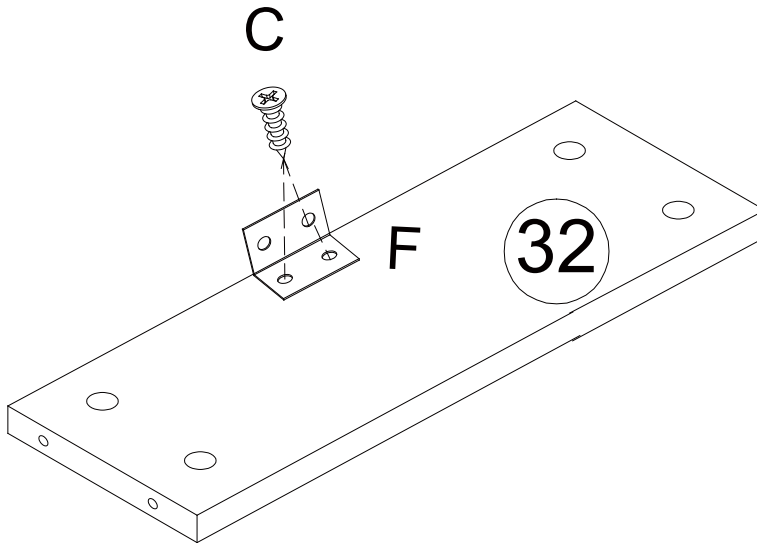
Step 20



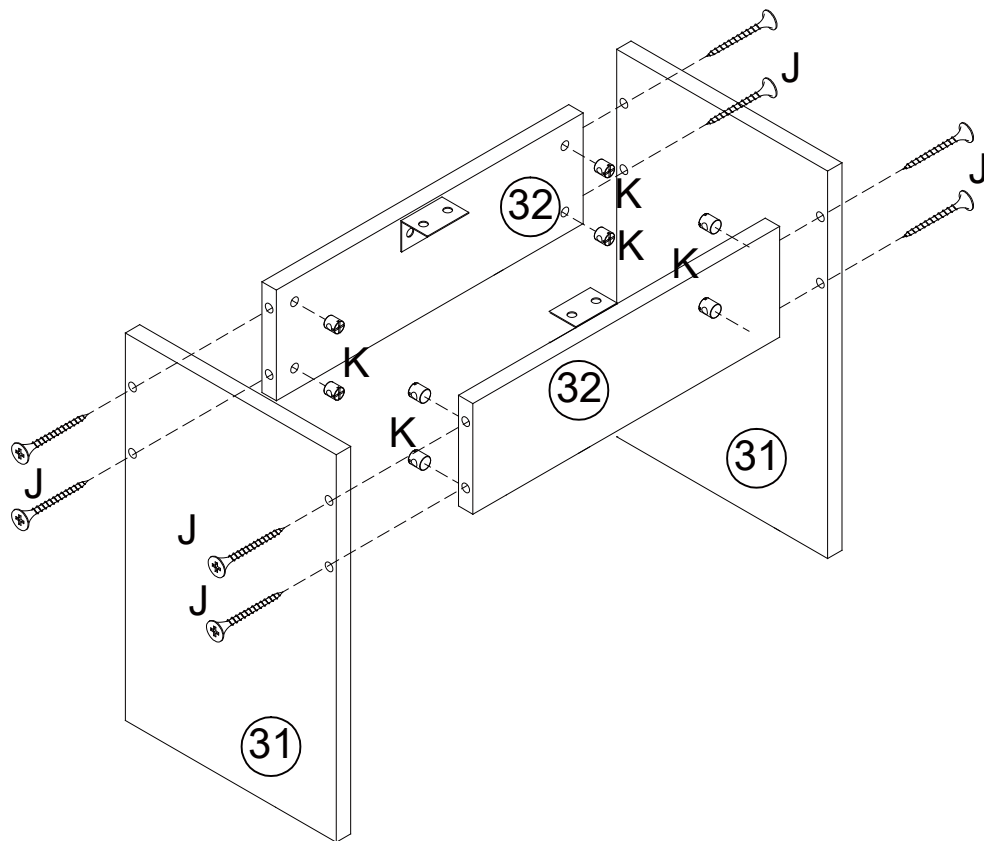
Step 21



Step 22



Step 23



Step 24

