

Retractable Ceiling Fan

Installations & Troubleshooting Manual

CAUTION

**READ INSTRUCTIONS CAREFULLY FOR
SAFE INSTALLATION AND FAN OPERATION**

SAFTY RULES

Add reading and save

1. To reduce the risk of electric shock, turn off the electricity to the fan at the main fuse box or circuit panel before beginning.
2. All wiring must be in accordance with the local electrical codes or National Electrical Code. Electrical installation should be performed by a qualified licensed electrician.
3. To avoid personal injury, the use of gloves may be necessary while handling fan parts with sharp edges.
4. Make sure the installation site you choose allows clear space for the blades to rotate and at least seven 7 feet (2.13 meters) of clearance between the floor and the fan blade tips. The fan should be mounted so that the tips of the blades are at least thirty 18 inches (45.72 centimeters) from walls or other upright structures.
5. **WARNING:** To reduce the risk of fire, electric shock, or personal injury, mount fan only to an outlet box marked acceptable for fan support and use mounting screws provided with the outlet box. Most outlet boxes commonly used for the support of lighting fixtures are not acceptable for fan support and may need to be replaced. Consult a qualified electrician if in doubt.
6. The outlet box and ceiling support structure must be securely mounted and capable of supporting at least 45 KGs.
7. To avoid personal injury or damage to the fan and other items, be cautious when working around or cleaning the fan.
8. Do not use water or detergents when cleaning the fan or fan blades. A dry dust cloth or lightly dampened cloth will be suitable for most cleaning.
9. After making electrical connections, spliced conductors should be turned upward and pushed carefully up into the outlet box. The wires should be spread apart with the grounded conductor and the equipment-grounding conductor on one side of the outlet box.
10. Electrical diagrams are for reference only.
11. The fan is suitable for indoor use only.

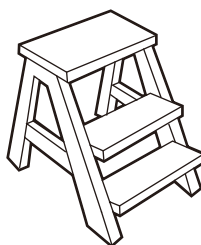
TOOLS REQUIRED



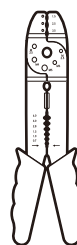
Phillips
screwdriver



Flat blade
screwdriver



Step
ladder



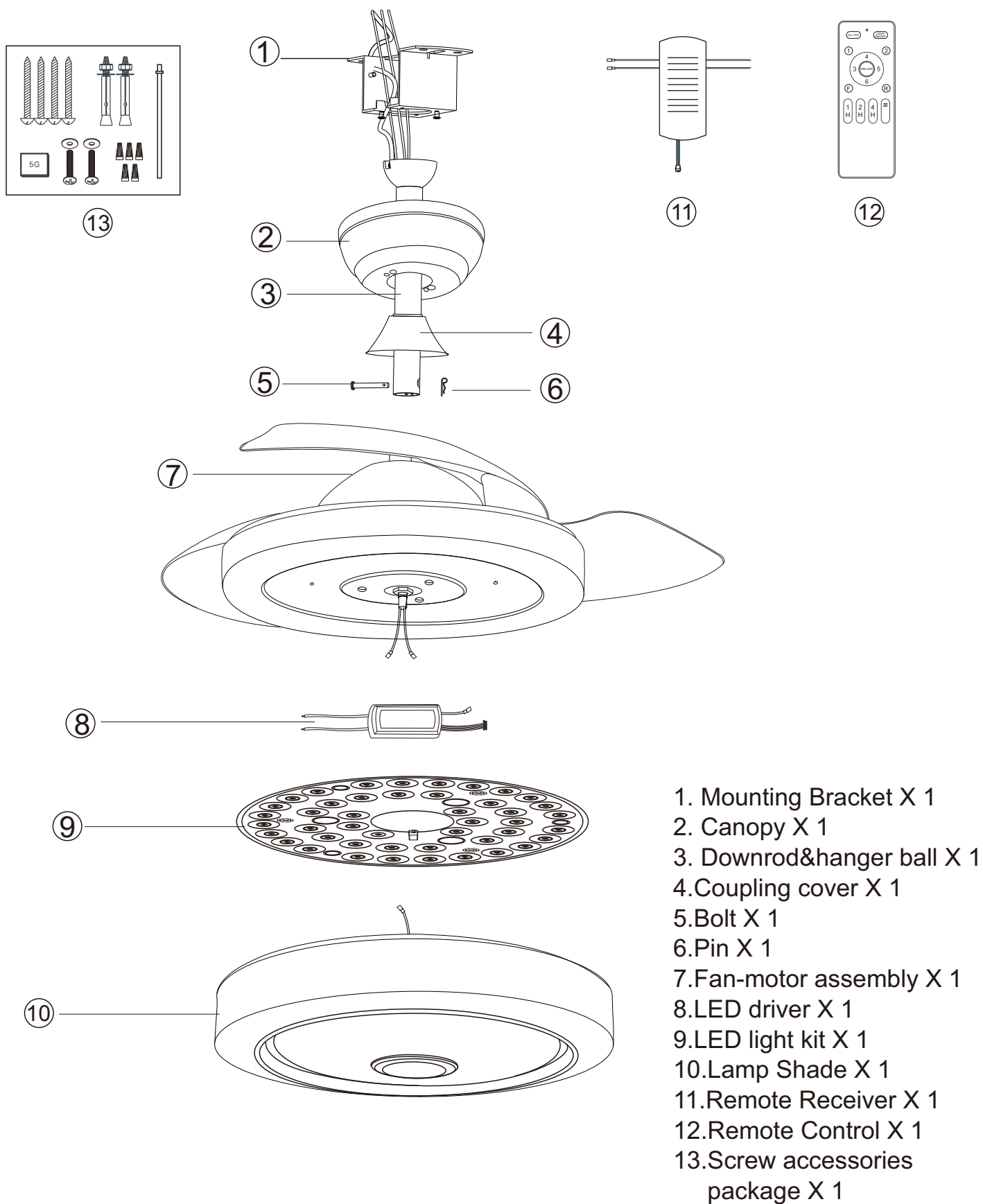
Wire
stripper



Electrical
tape

BEFORE INSTALLATION

Unpack your fan and check the contents. You should have followings:



- 1. Mounting Bracket X 1
- 2. Canopy X 1
- 3. Downrod&hanger ball X 1
- 4. Coupling cover X 1
- 5. Bolt X 1
- 6. Pin X 1
- 7. Fan-motor assembly X 1
- 8. LED driver X 1
- 9. LED light kit X 1
- 10. Lamp Shade X 1
- 11. Remote Receiver X 1
- 12. Remote Control X 1
- 13. Screw accessories package X 1

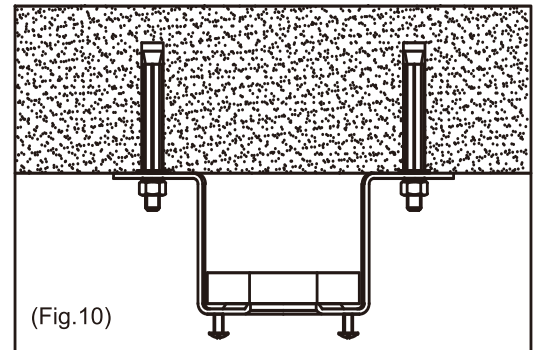
INSTALL THE FAN

Tools Required: Phillips Screwdriver, Pair of Pliers, Straight slot screwdriver, Adjustable Wrench, Step Ladder and Wire Cutters.

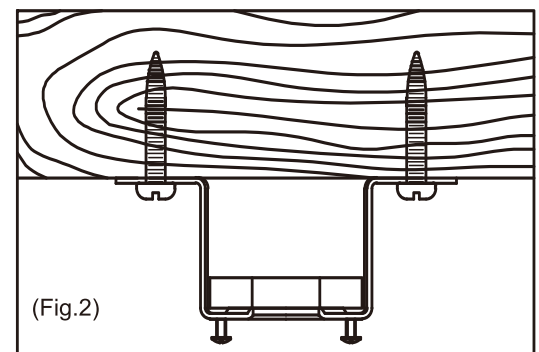
INSTALL THE MOUNTING BRACKET

To prevent personal injury and damage, ensure that the hanging location allows the blade a clearance of 7 feet (2.13 meters) from the floor and 18 inches (45.72 centimeters) from any wall or obstruction.

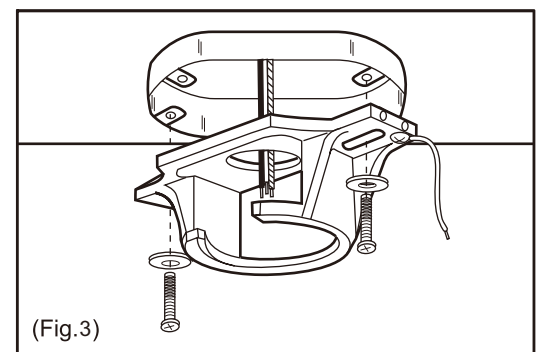
1. For the concrete ceiling: Mark the location for the ceiling fan first, then drill two holes in the ceiling to aid in securing ceiling bracket with two expansion screws provided, and secure the mounting bracket to the building structure with two expansion screws provided, tighten the screws. (Fig.1)



2. For the Wood Ceiling: Mark the location for the ceiling fan first, secure the mounting bracket to the building structure with four wood screws provided. (Fig.2)

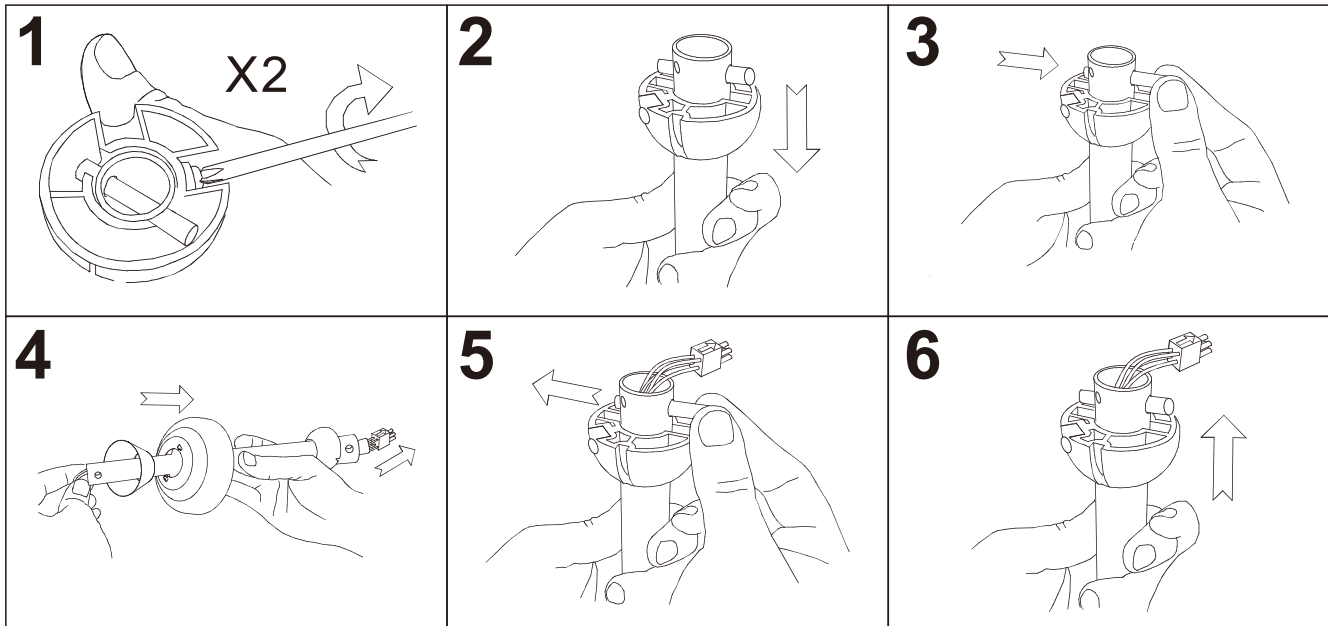


3. Install mounting bracket to outlet box in ceiling using the screws and washers provided with the outlet box.



NOTE: Hanger after the installation must be able to withstand the weight of 45 kgs or more

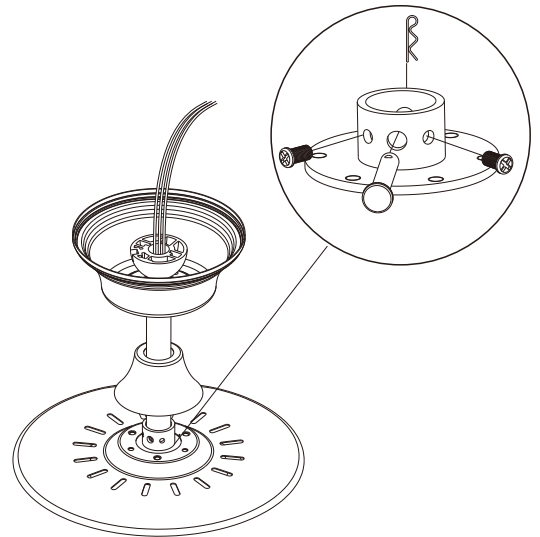
INSTALL THE DOWNROD



INSTALL THE DOWNROD

REMEMBER to turn off the power. Follow the steps below to hang your fan properly:

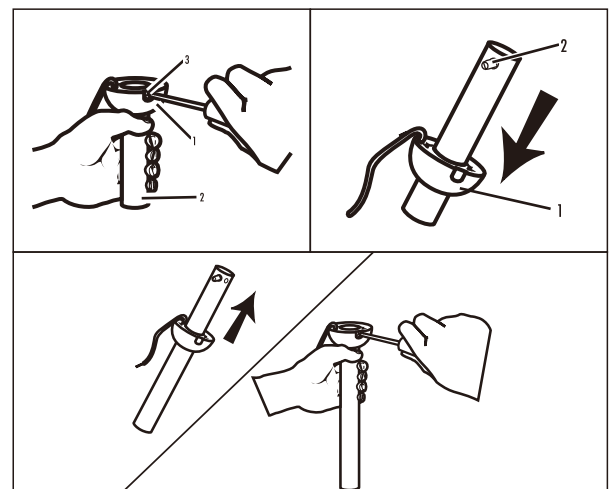
1. Remove the lock pin and hitch pin from downrod
2. Place downrod assembly into canopy and coupling cover, Carefully feed motor wires through the downrod assembly
3. Loosen the two set screws in downrod coupling
4. Insert downrod into downrod coupling. Install coupling lock pin through coupling and downrod. Insert hitch pin into cross pin until it snaps into place. Tighten set screws in coupling. Slide coupling cover over the downrod coupling.



CHANGE DOWNROD (OPT)

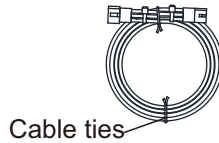
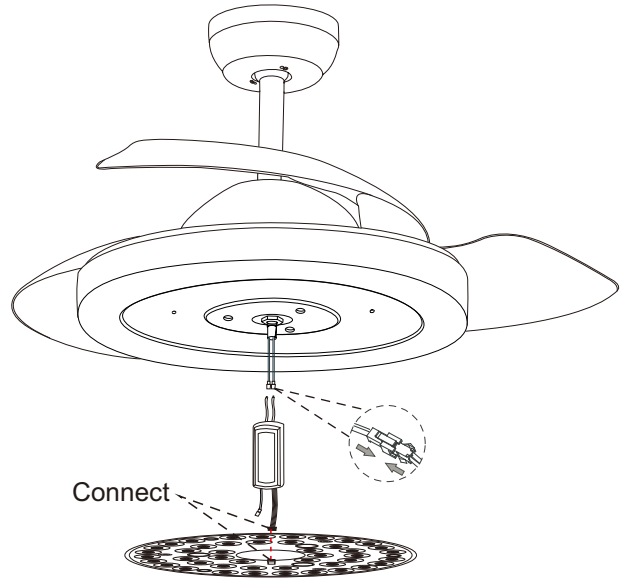
The Ceiling Fan comes with one 5 inches standard downrod which is preassembled and attached to the hanger ball, one longer 10 inches downrod is also included for higher ceilings. If you need a different downrod length, please follow these steps:

1. Loosen the hanger ball from downrod by removing set screw.
2. Slide downrod ball off of downrod and remove pin
3. Re-install pin into extended downrod, and slide downrod ball up to the top of the downrod
4. Re-install set screw to secure ball to downrod



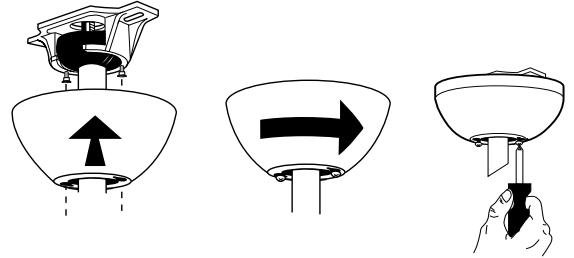
INSTALL THE LIGHT KIT

1. The connection. Please refer to the picture on the right. First, connect the LED driver to the LED light kit, and then connect the blue and white wires of the LED driver to the blue and white wires under the motor.
2. Then install the light and driver on the light disk.
3. After connecting all the wires, tie all the wires together with nylon ties



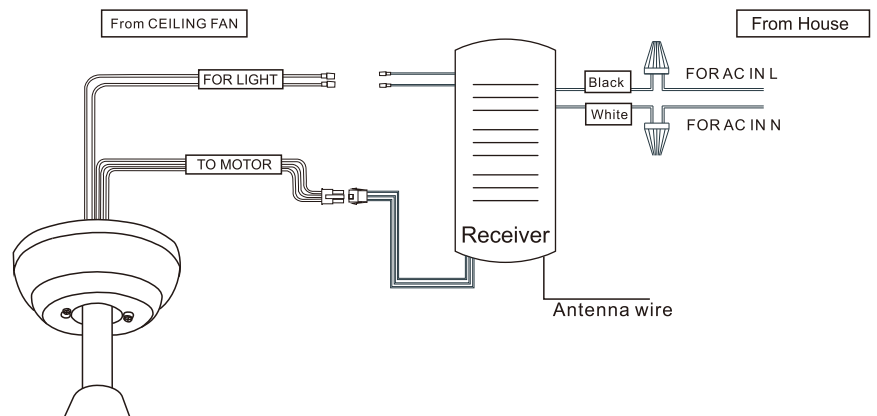
SECURE THE CANOPY

Raise the canopy up and align the keyholes on the bottom of the canopy with the 2 screws on the bottom of mounting bracket. Rotate the canopy until both screws from the mounting bracket drop into the slot recesses. Tighten screws securely.

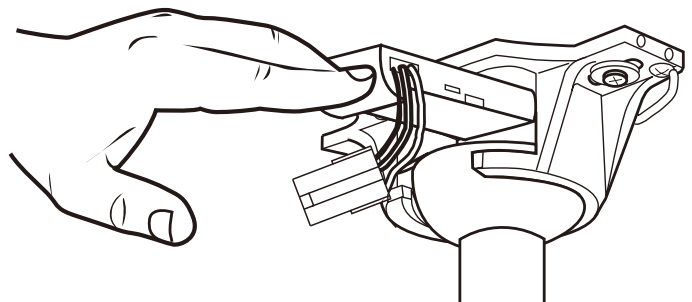


MAKE THE ELECTRIC CONNECTIONS

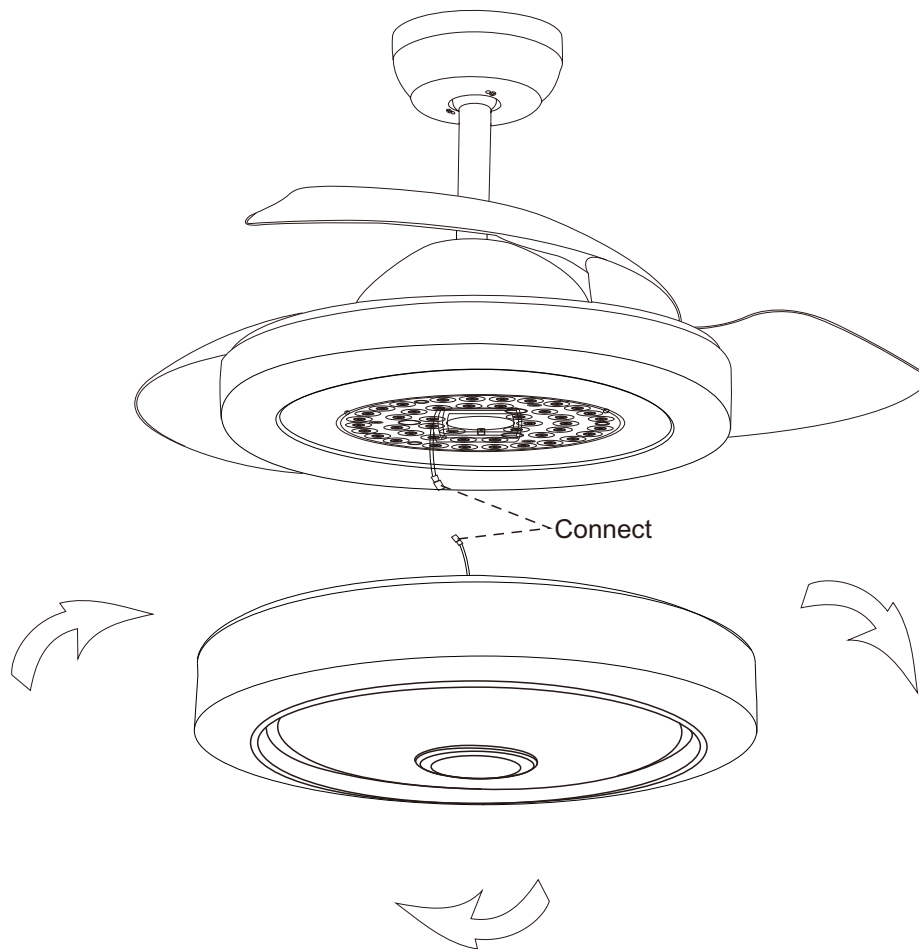
Make wiring connections from the house and the motor to the remote receiver as shown right.



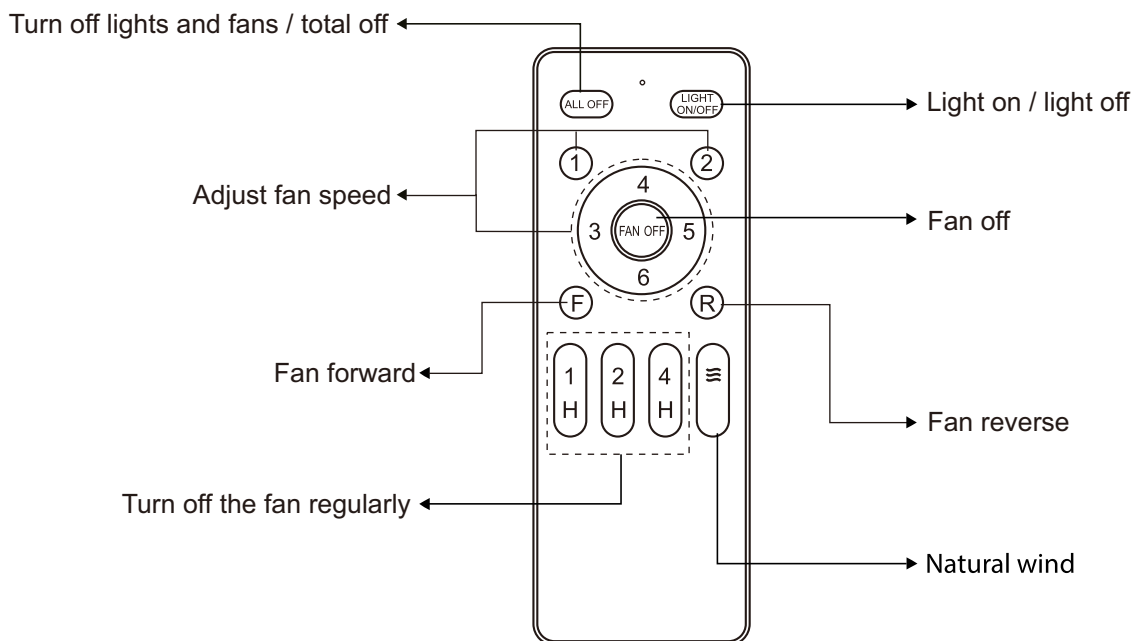
Once wiring step has been completed, slide the wired remote receiver in between the mounting bracket and the top of the downrod ball for downrod fans.



INSTALL THE DECORATIVE SHADE



USE OF REMOTE CONTROL



Note: the remote control must match the same code receiver

AFTER INSTALLATION

WOBBLE:

The fan blades have been adjusted in the factory to minimize any wobble.

NOTE: CEILING FANS TEND TO MOVE DURING OPERATION DUE TO THE FACT THAT THEY ARE MOUNTED ON A RUBBER GROMMET. IF THE FAN WAS MOUNTED RIGIDLY TO THE CEILING IT WOULD CAUSE EXCESSIVE VIBRATION. MOVEMENT OF A FEW CENTIMETRES IS QUITE ACCEPTABLE AND DOES NOT SUGGEST ANY PROBLEM.

TO REDUCE THE FAN WOBBLE: PLEASE CHECK THAT ALL SCREWS WHICH SECURED THE MOUNTING BRACKET AND DOWN ROD ARE SECURE.

NOISE:

When it is quiet (especially at night) you may hear occasional small noises. Slight power fluctuations and frequency signals superimposed in the electricity for off-peak hot water control, may cause a change in fan motor noise. This is normal. Please allow a 24-hour 'breaking-in' period, most noises associated with a new fan disappear during the time.

The manufacturer's warranty covers actual faults that may develop and NOT minor complaints such as hearing the motor run ? All electric motors are audible to some extent.

CARE AND CLEANING

1) Periodic cleaning of your ceiling fan is the only maintenance required. Use a soft brush or lint free cloth to avoid scratching the paint finish. Please turn off electricity power when you do so.

2) Do not use water when cleaning your ceiling fan. It could damage the motor or the blades and create the possibility of an electrical shock.

3) Motor has permanently lubricated ball bearing. No need to oil.

NOTE: MAKE SURE THE POWER IS OFF AT THE ELECTRICAL PANEL BOX BEFORE YOU ATTEMPT ANY CLEANING OR REPAIRS.

TROUBLESHOOTING GUIDE

If you have difficulty operating your new ceiling fan, it may be the result of incorrect assembly, installation, or wiring. In some cases, these installation errors may be mistaken for defects. If you experience any faults, please check this Trouble Shooting guide. If a problem cannot be remedied, please consult with your authorized electrician and do not attempt any electrical repairs yourself, and please feel free to contact us: support@RemixLighting.com

Before:

1. This is LED ceiling fan, **DO NOT** install any dimmer switch for this.
2. Install the Remote **OR** Wall Switch, **DO NOT** install both of them.
3. Check circuit fuses or breakers and make sure the battery is installed correctly.
4. Check line wire connections to the fan and switch wire connections in the switch housing.

CAUTION: Make sure main power is off.

Problem: light does not work

Solution:

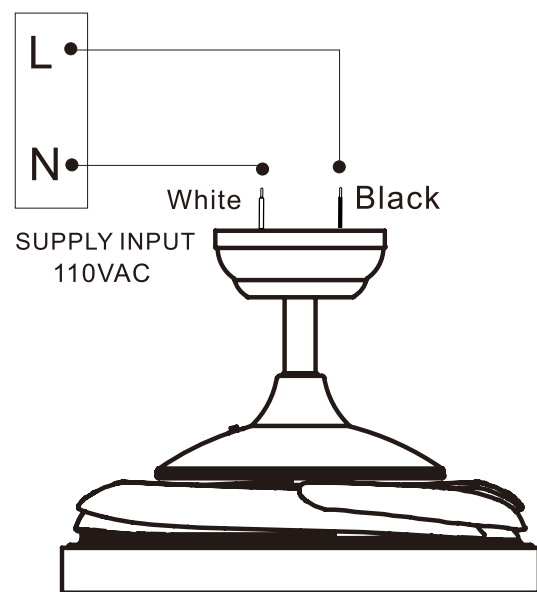
1. Check to see that the wire connections in the switch housing are connected.
2. Make wiring connections from the house to the LED light directly (don't connect the remote and the fan) to determine it's the issue of the LED light or not.

Problem: Fan will not start.

Solution:

1. Check line wire connections to the fan and switch wire connections in the switch housing. **CAUTION: Make sure main power is off.**
2. Make the Fan wiring connections Without the Remote & transmitter and the light, to determine it's the issue of the fan body or not.
 - Please don't wire the light at the bottom
 - Connect the Ceiling Fan Neutral Wire (White) to the Neutral Wire (white) coming through the ceiling
 - Connect the Ceiling Fan Live Wire (Black) to the Live wire (Black or Colored) coming through the ceiling

Then turn on the main power, check the fan works separately or not.



i-Link

Smart lamp with Speaker

User Manual

This product has a unique and exclusive two-in-one design - the smart LED lamp and Bluetooth stereo audio speaker. Bluetooth 4.0+EDR (enhanced data rate) and purity and definition of particular voice based on DSP technology. Wish you have infinite joy from the combination of light and music.

- Change color, warm/cool and brightness as you need;
- Timer setting: auto light, auto music and alarm clock;
- Mood lighting and music rhythm, enjoy music anywhere;
- Sound effect setting: Pop, Classical, Jazz, Bass and Flat.



Google Play



App Store



HUAWEI

Scan the QR-Code download APP.

I .Bluetooth Connection

For the first time you use it or never pair with "iLink" after moving the equipment, please have it paired according to the steps below:

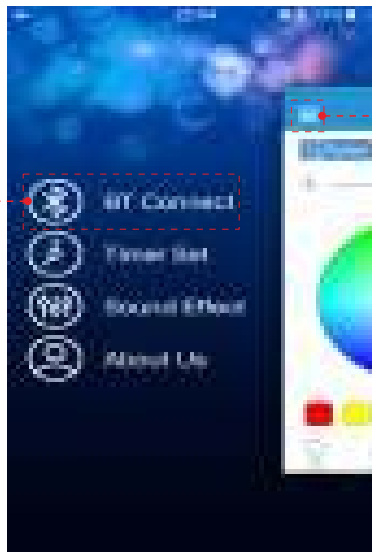
I .First of all, please enter your phone's settings, open the Bluetooth, and pair with the "iLink". Enter the System Settings - Bluetooth - to discover and connect the device name "iLink". Once connected, you will hear the connection tone.



Tips: The next time you use, "iLink" will connect with your phone automatically (the Bluetooth is open).

II. Open "iLink" app, enter the main interface. Click the menu icon, enter the "BT Connect", as follow:

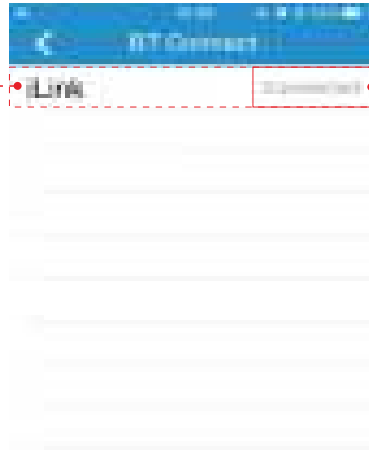
Then, enter "BT Connect" <



First, click the menu icon, enter the "Setting" interface

III. "BT Connect",operate as follow :

Then,click "iLink" to connect.



"Connected" means the connection is successful.

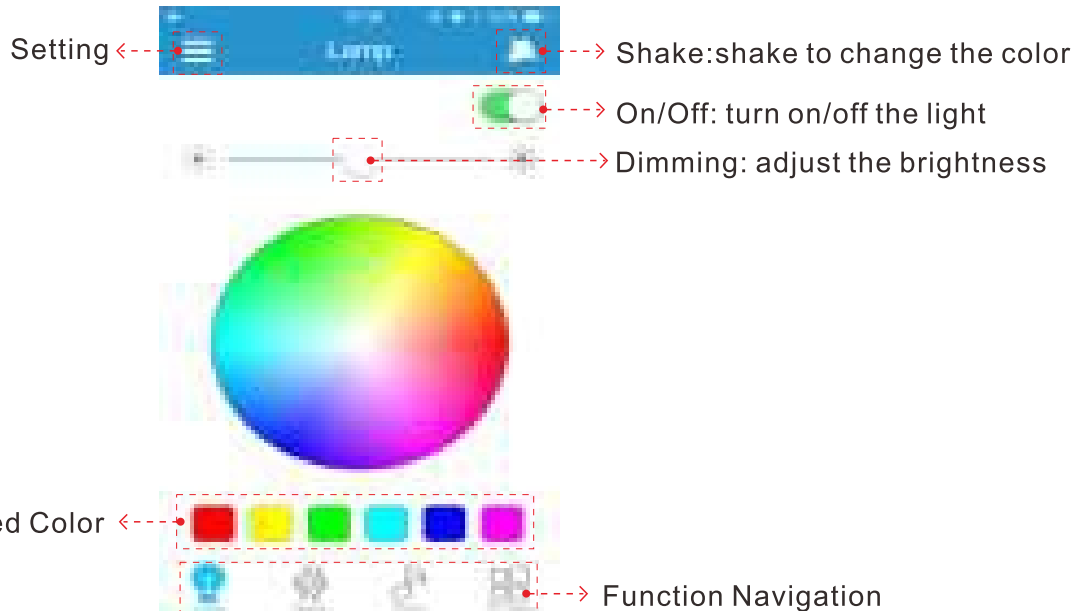


First,you should seach your device.

Then,you can start operate the smart lamp via the app. Enjoy the magical light and music.

II. Main User Interface

A.Lamp: cool white light control



Setting

Shake:shake to change the color

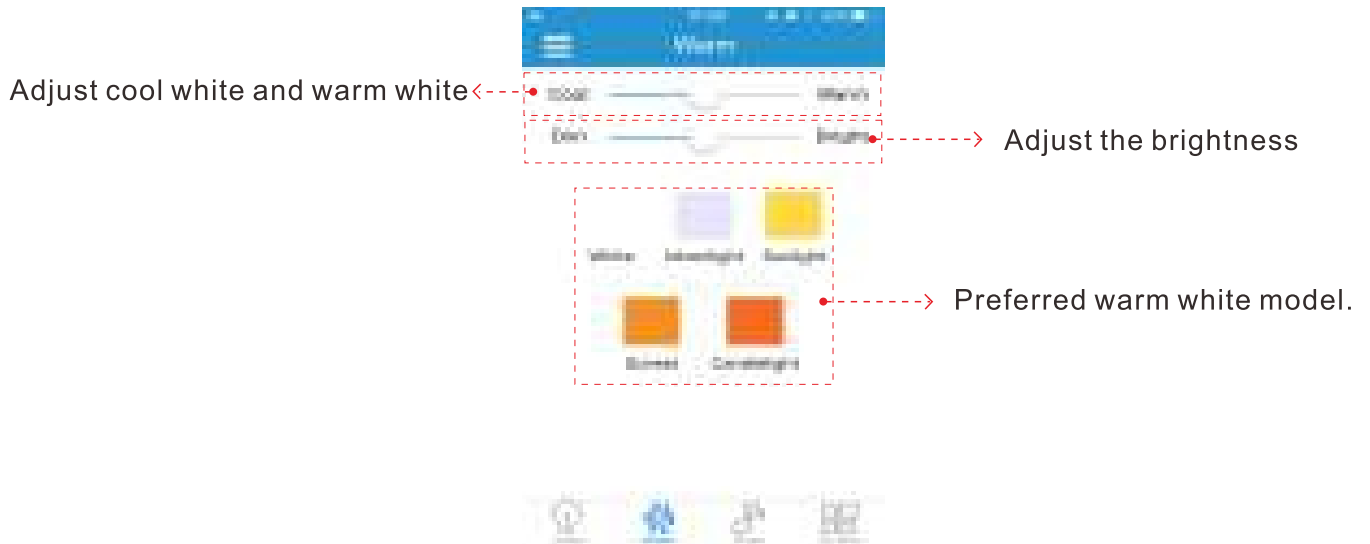
On/Off: turn on/off the light

Dimming: adjust the brightness

Preferred Color

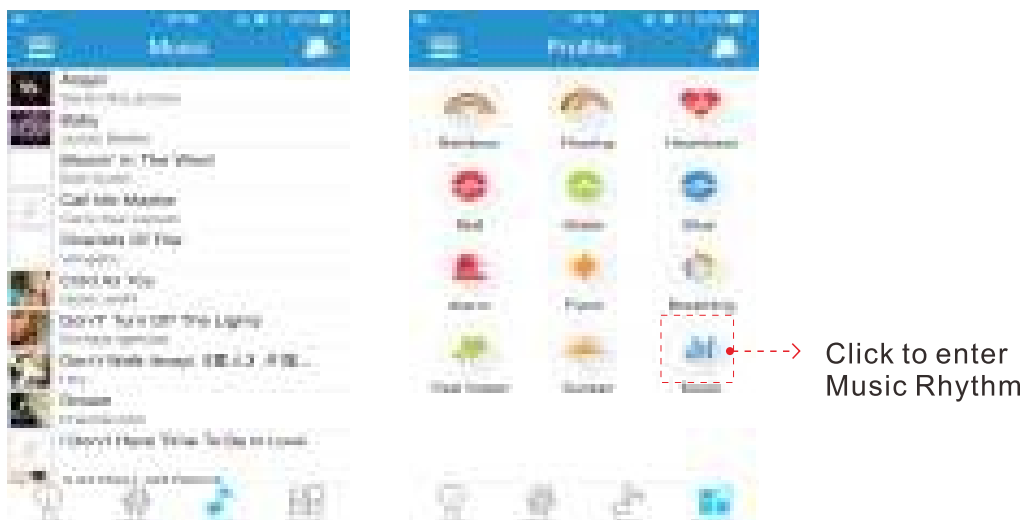
Function Navigation

B.Warm: warm white light control

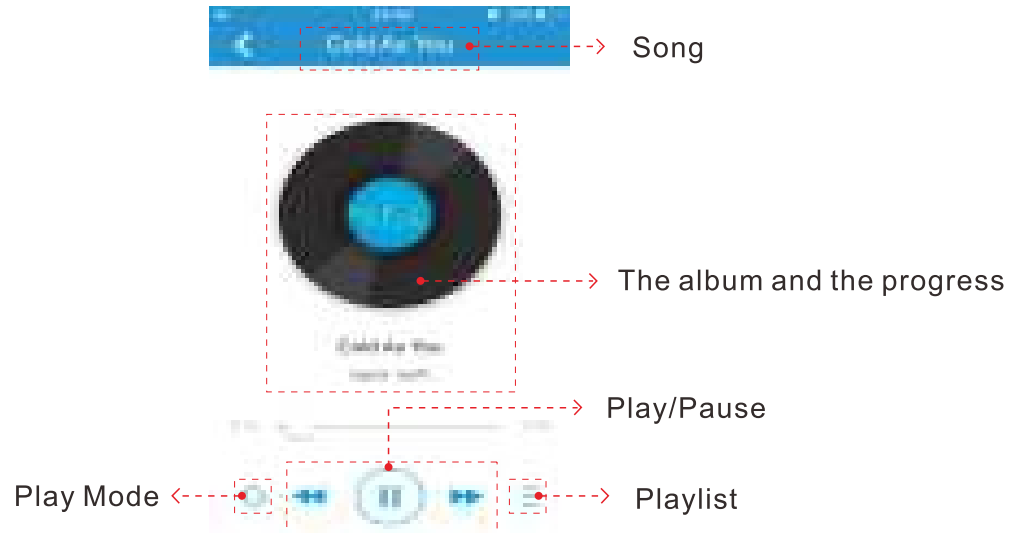


C.Music

When you use the lamp for the first time, please enter your phone's settings, open the Bluetooth, and pair the "iLink". Then, enjoy your favorite music. Only iTunes Player is support musical rhythm, the color flashing with the music. The third party player is not support.



Music play interface



Tips: iOS system, non-iTunes music have none "Musical Rhythm" lighting effect.

D.Profiles



Rainbow: brightness and color random changing gradually as the rainbow;

Breathing: brightness and color changing like breath;

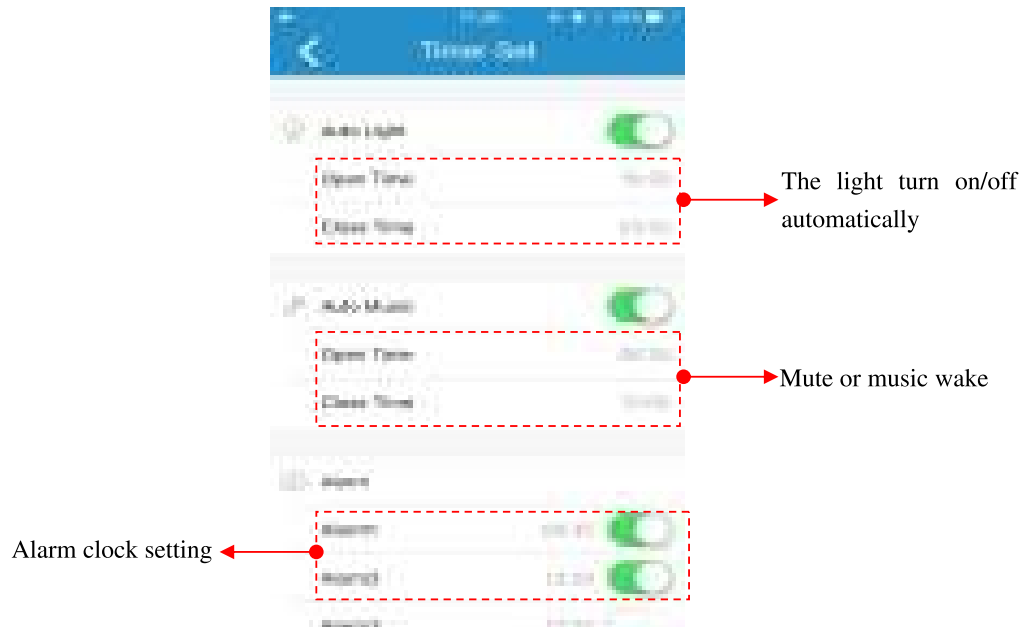
Flashing: stage-lighting effect, the light fast switching;

Heartbeat: fast switching just like the heartbeat;;

Music: "musical rhythm" lighting effect, working when music playback, stop when pause.

E. Timer Setting

It is your close sleep assistant and smart alarm clock. The music and lamp turn on/off automatically.



Tips: The function automatic work even when the Bluetooth disconnected.

F. Sound Effect

Sound effect setting: Pop, Classical, Jazz, Bass and Flat.

You can set your favorite **high pitch/low pitch** sound effect via tone equalizer.

