

ASSEMBLY INSTRUCTION

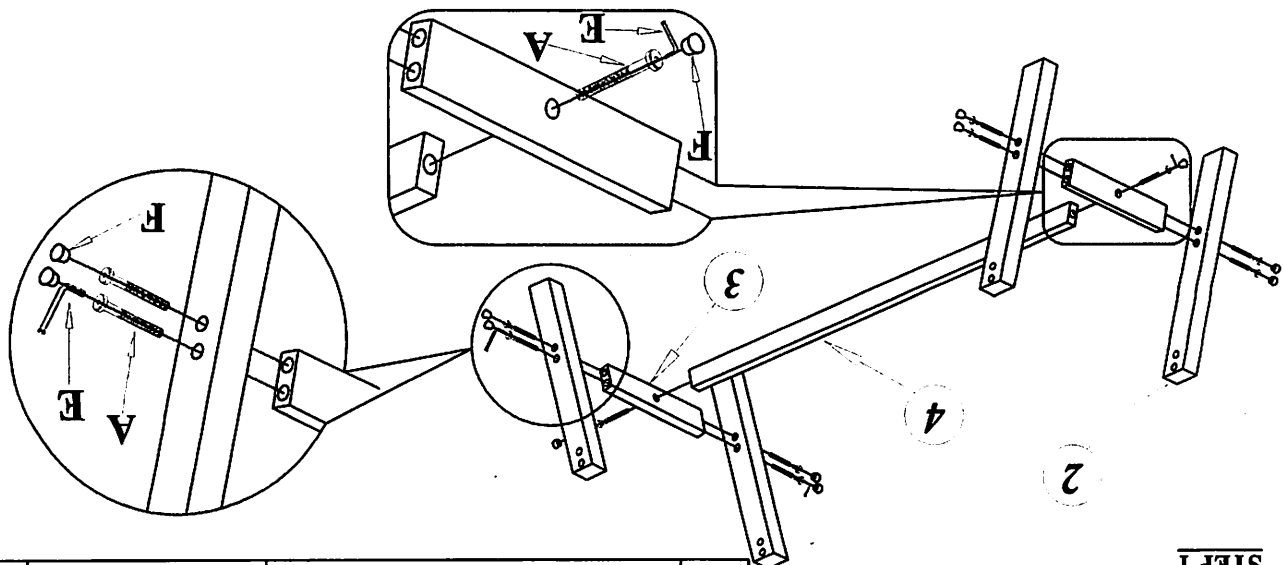
DIMENSIONS : 48"L x 17"W x 19"H

Item No : F 1332
Description : BENCH

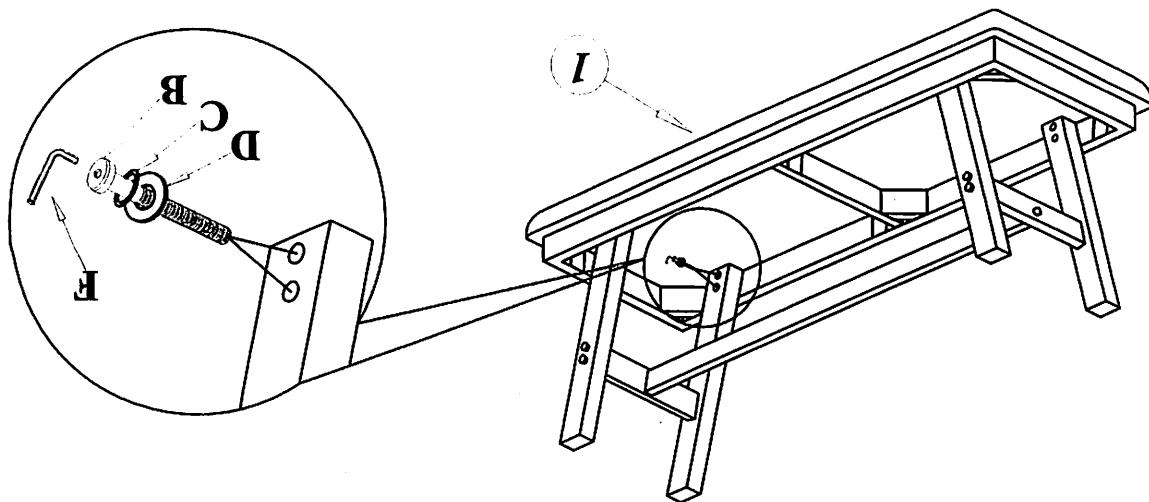
Nº	LIST OF HARDWARE	QTY
A	BOLT Ø1/4" x 55mm	16pcs
B	BOLT Ø1/4" x 38mm	2pcs
C	LOCK WASHER Ø1/4" x 2	8pcs
D	WASHER Ø1/4" x 19 x 2	8pcs
E	OPEN END WRENCH 12 x 90 mm	1pc
F	CAP Ø14 * 10mm	10pcs

Nº	LIST OF PAST	QTY
1	SEAT	1pc
2	CHAIR LEG	4pcs
3	STRETCHER	2pcs
4	STRETCHER	1pc

STEP 1



STEP 2



STEP 3

