
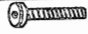



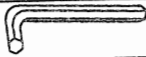


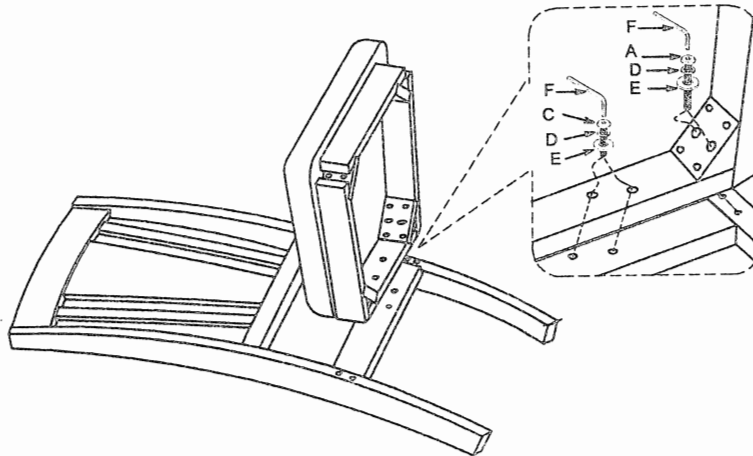
Hardware list

F 1285

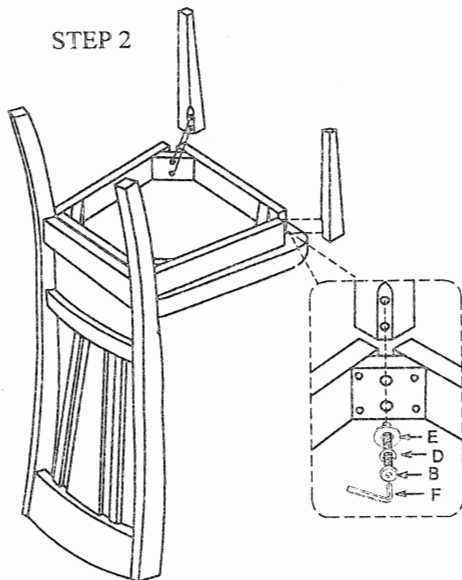
7/21/11

NO#	MODEL : CM3325 SC		Q'TY
A	LONG BOLT		4pcs
B	MIDDLE BOLT		4pcs
C	SHORT BOLT		2pcs
D	LOCK WASHER		10pcs
E	METAL WASHER		10pcs
F	ALLEN KEY		1pcs

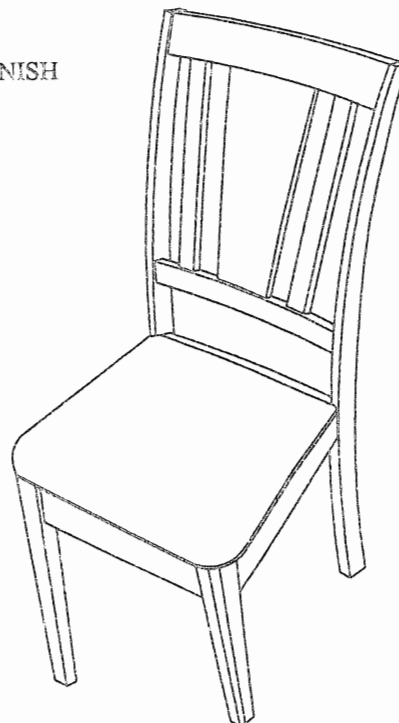
STEP 1



STEP 2



FINISH



* PLEASE DO NOT LOCK THE HARDWARE TOO TIGHT BEFORE ASSEMBLY