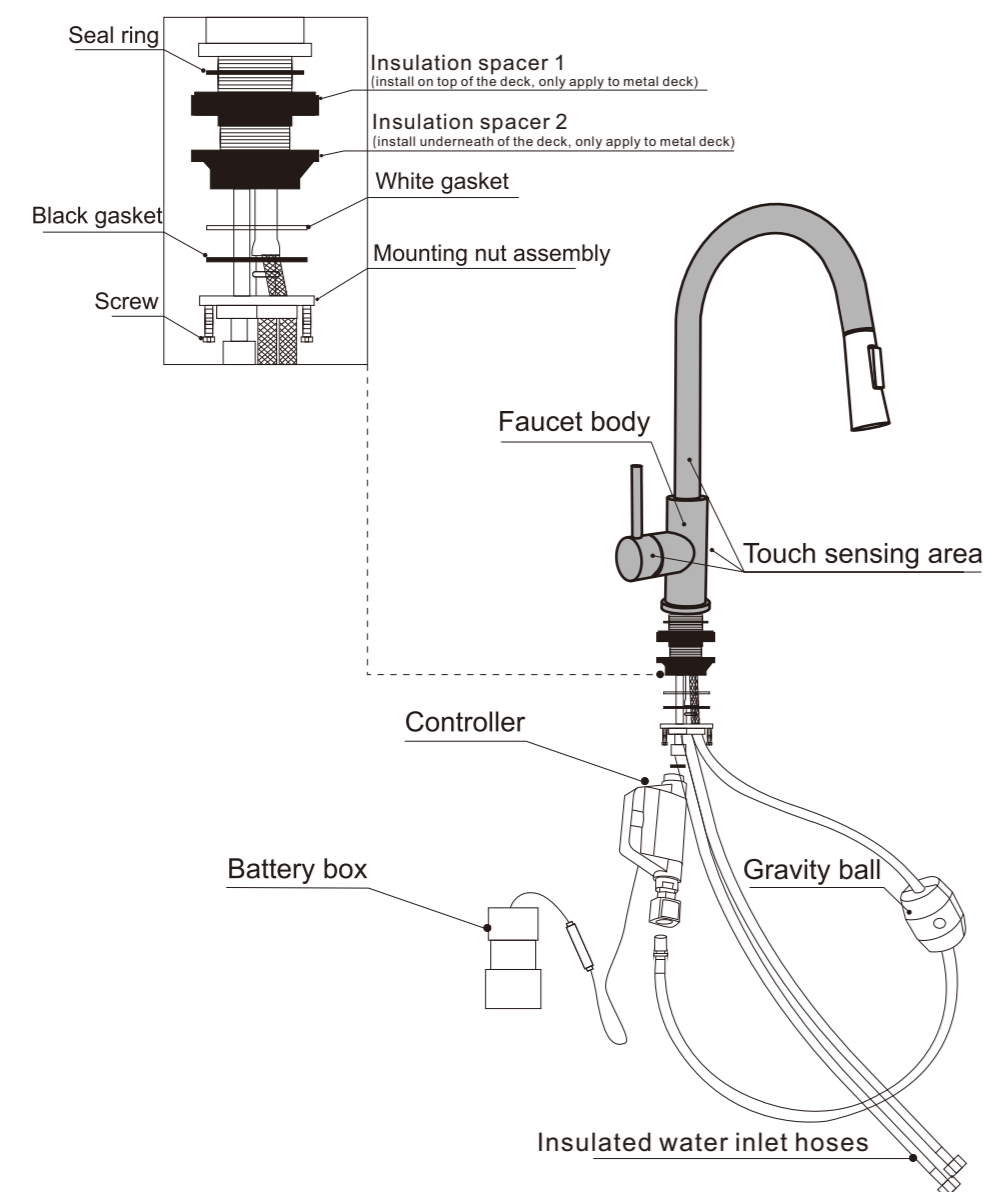


**Faucet Instruction  
&  
After-sales Service**

**1. Prepare Faucet for Installation**  
**1. Part Introduction**



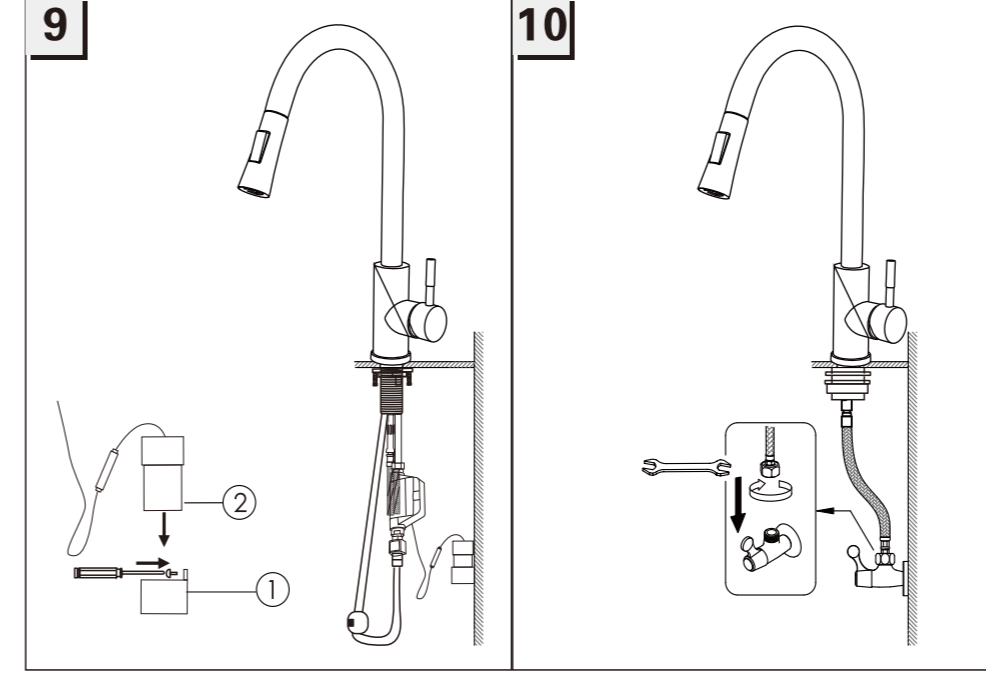
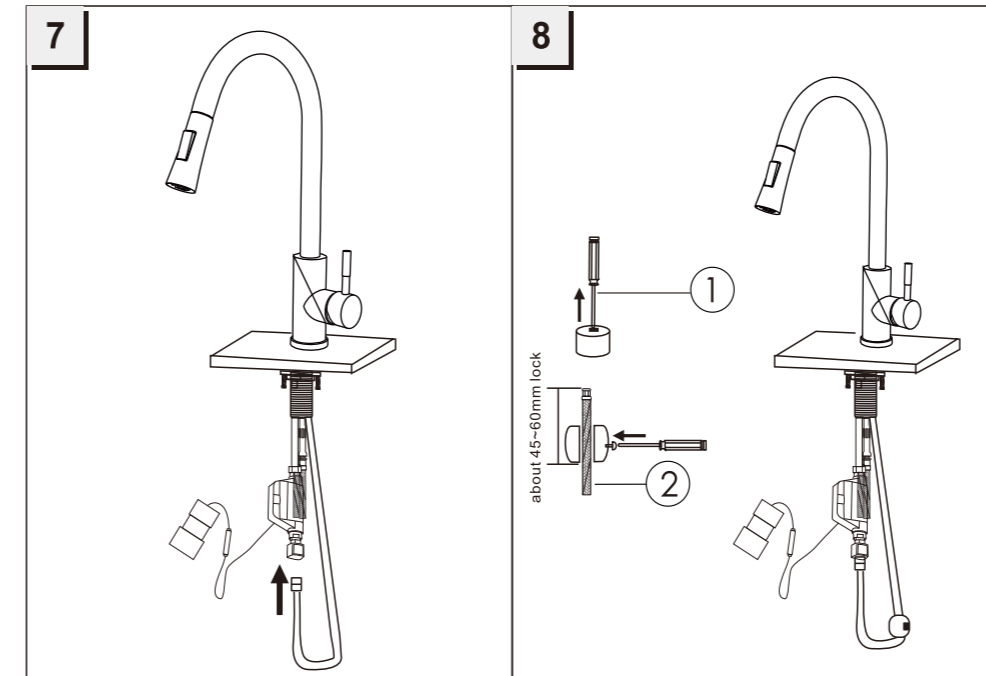
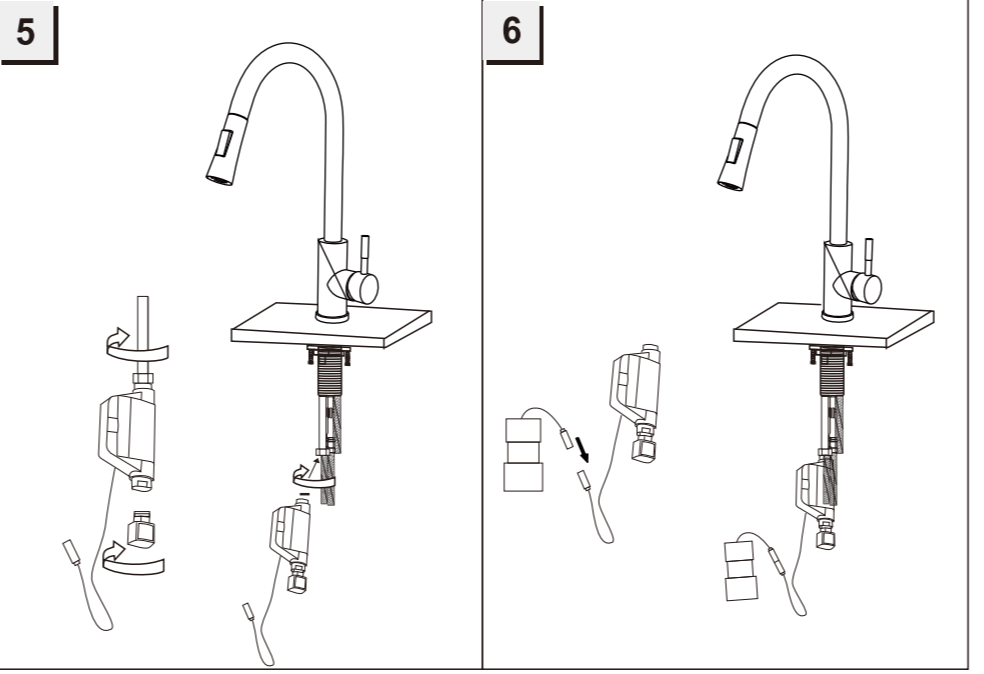
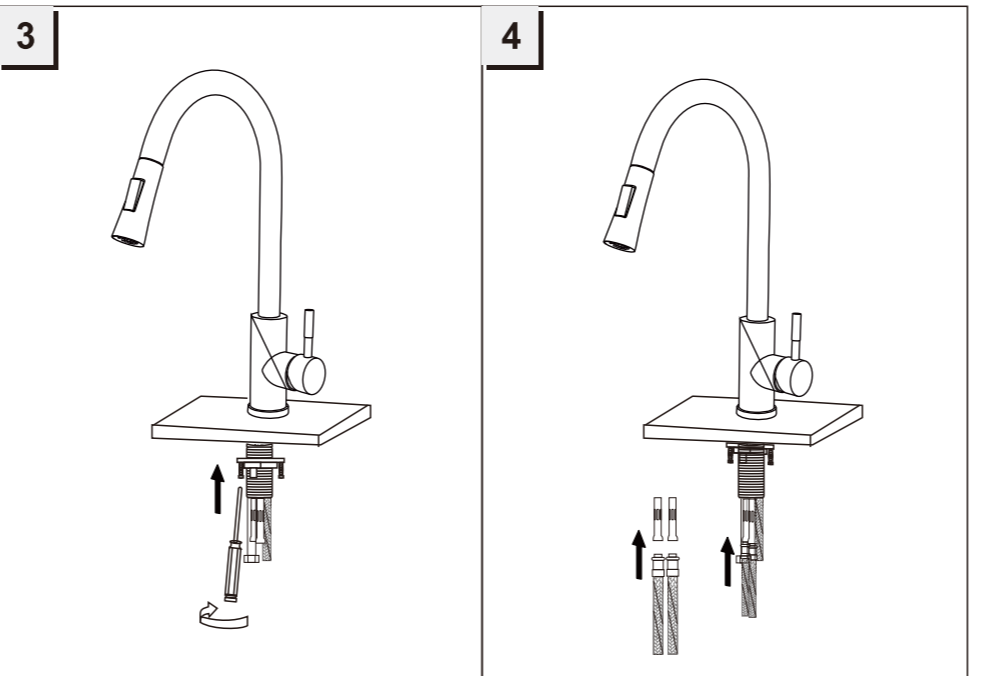
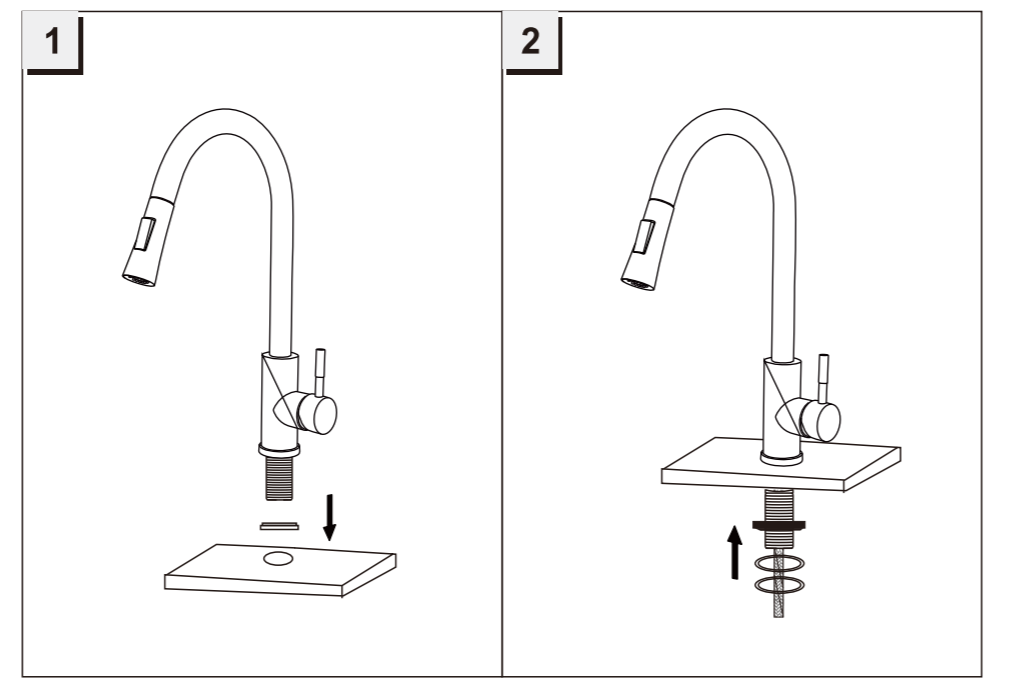
**2. System Parameter**

<b>Control time</b>	<0.5s	<b>Power supply</b>	4 X AA batteries
<b>Switching time</b>	<0.5s	<b>Standby power consumption</b>	<0.1mA
<b>Waterproof level</b>	IPX5	<b>Water temperature</b>	1°C -75 °C
<b>Resistant intensity</b>	6bar	<b>Minium water pressure</b>	0.2bar

**3. Installation Requirements**

- 1:The battery box should be lean against the wall or on the ground. Cable should not be intertwined.
- 2:Insulating spacer must be used to isolate faucet and metal mounted surface. Insulating spacer is not necessary if mounted on an insulating surface (such as ceramic basin, etc).
- 3:Hot and cold water inlets and the draw tube should be insulated (PVC or silicone hose are recommended).

**2. Installation Instructions**



**3. Installation Condition**

1. When you open the package, please check the parts according to the standard part list, please contact the distributor if it is breakage.
- 2.The body is under testing by the factory, please don't dismantle.
- 3.Please make sure to clean the impurity and sludge in the hose before assembly in case of the effecton of the inusing function.
- 4.Please check if there is leakage after assembly.
- 5.Medium temperature shall not be greater than 90°C
- 6.Installation water pressure: 0.1Mpa<water pressure<1.0Mpa .
- 7.When tighten the connecting nut can not be greater than 10nm.
- 8.Don't over bend the hose and ensure no hose deformation after installation.

**4.Cleaning & Maintenance**

- To keep the product clean & shining, follow as below.
- 1: Flush with clean water & dry with soft cloth only.
  - 2: If any dirt, clean with soft liquid or transparent glass detergent.
  - 3: Do not use any scrubbing detergent, polisher, sane-cloth, paper tissue or scraper.
  - 4: Do not use acid detergent, in discoverable grain-like detergent or soap.

**5.Guarantee**

This product comes with guarantee (please refer to the seller for details of guarantee) when installed, used and cleaned in accordance with this manual.

**Not covered by the guarantee is:**

- Breakdown due to -
- a) Use other than domestic
- b) Willful act neglect
- c) Any malfunction resulting from incorrect use
- d) Incorrect setting of controls
- e) Any malfunction resulting from poor water quality
- Repair costs for damage caused by foreign objects or substances.
- Total loss of the product due to non-availability of parts.
- Compensation for loss of use of the product or consequential loss of any kind.
- Call out charges where no fault has been found with the product

**NOTE :**

The guarantee on the cartridges and valves is invalidated if damage is caused by waterborne debris.

**NOTE :**

All products must be installed in a manner providing access for servicing or replacement during the life of the product.

We have a policy of continuous improvement and reserve the right to change specifications without notice.  
Please retain this document for future reference.

**Not covered by the guarantee is:**

- The cost of repair or replacement of pressure relief devices, spray heads, hoses, riser rails and/or wall bracket or any other accessories installed at the same time.
- The cost of routine maintenance, adjustments, overhaul, modifications, loss or damage, arising therefrom, including the cost of repairing damage, breakdown, malfunction caused by corrosion, furring, pipe scaling, lime scale, system debris or frost.