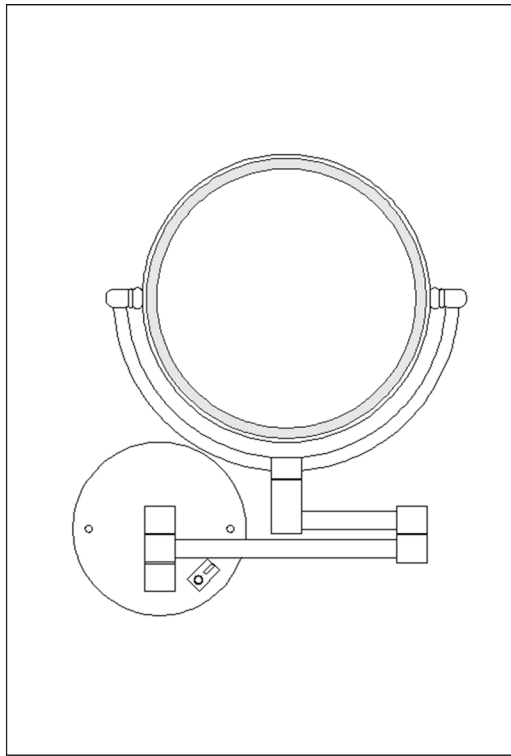


LED Beauty Mirror Installation Instruction



Points for attention:

Product made of excellent technology , make sure product quality strong and durable.

When clean product must be careful. Avoid the product surface be damaged. Please use clean water or netural wash detergent to clean the surface. Then use the soft towel to dry.

Do not use chemical composition or corrosiveness wash detergent .rough towel to clean.

Suggest to clean the product at certain time. Make sure the surface is smooth and clean. If use acerbic wash detergent to clean the product. It maybe damage the product's surface.

Please careful.

Tips:

1. Suggest experience and qualification professional people install. Be avoid the losing for the install 's quality.

2. Please make sure before drill in the wall do not have wire or water line.

3. The company keep the right to amend and improve the product. It will not notify if change the specifaicion fields.

Certificate

Inspector:

Date:

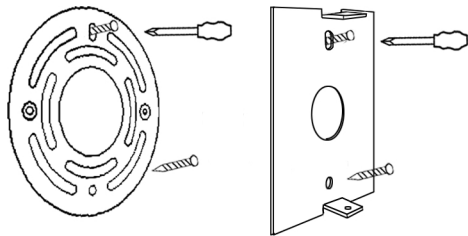
Concealed Line Installation steps

1. Choose one suitable place mark then drill the hole.

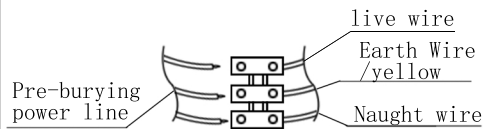


Pre-burying power line make sure the hole 's diametre is enough to connect the line.

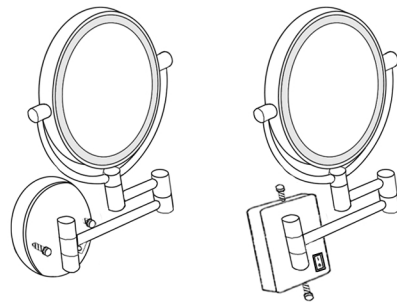
2. Install the fix board.



3. Connect power line.

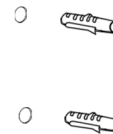


4. Install the beauty mirror. Put the screw inside the bottom. Lock the screw cap.



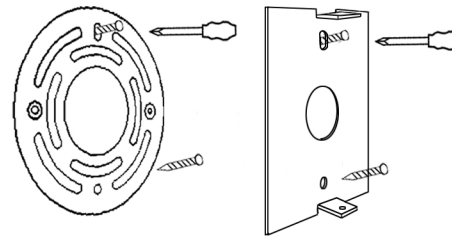
Line Installation steps

1. Choose one suitable place mark then drill the hole.



Pre-burying power line make sure the hole 's diametre is enough to connect the line.

2. Install the fix board.



3. Install the beauty mirror. Put the screw inside the bottom. Lock the screw cap.

