

# BATHROOM FAUCET

Installation instruction



## CARE INSTRUCTIONS

Rinse the product with clear water. Dry the product with a soft cloth.

## DO NOT:

Use abrasive cleansers, cloths, or paper towels. Use any cleaning agents containing acid, polish, wax, alcohol, ammonia, bleach, solvent or any other corrosive or harsh chemical cleansers.

## RECOMMENDED TOOLS

Plumber's putty



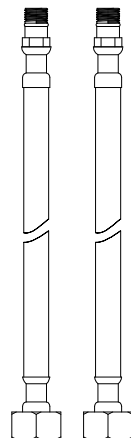
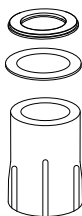
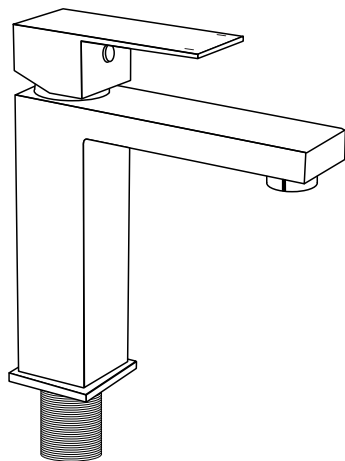
Thread seal tape



Included

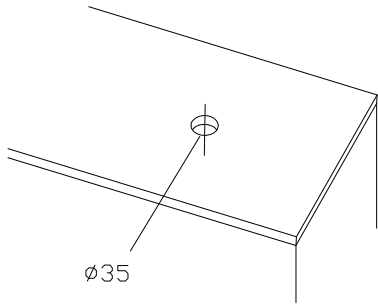


## PRODUCT DRAWING

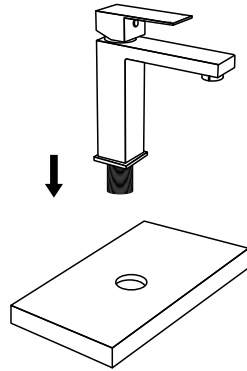


# INSTALLATION STEPS

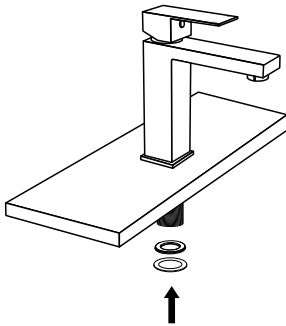
## BEFORE YOU BEGIN



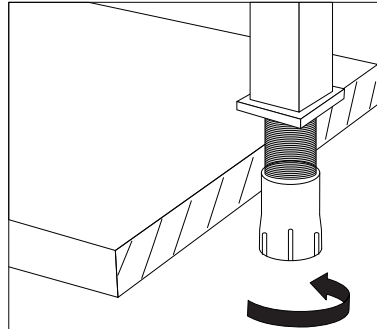
1



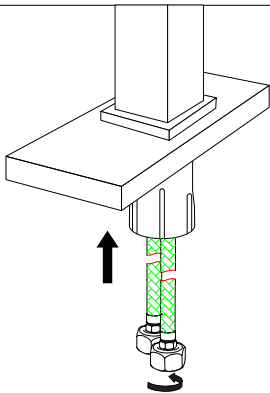
2



3



4



5

