

Farmhouse Ceramic Sink

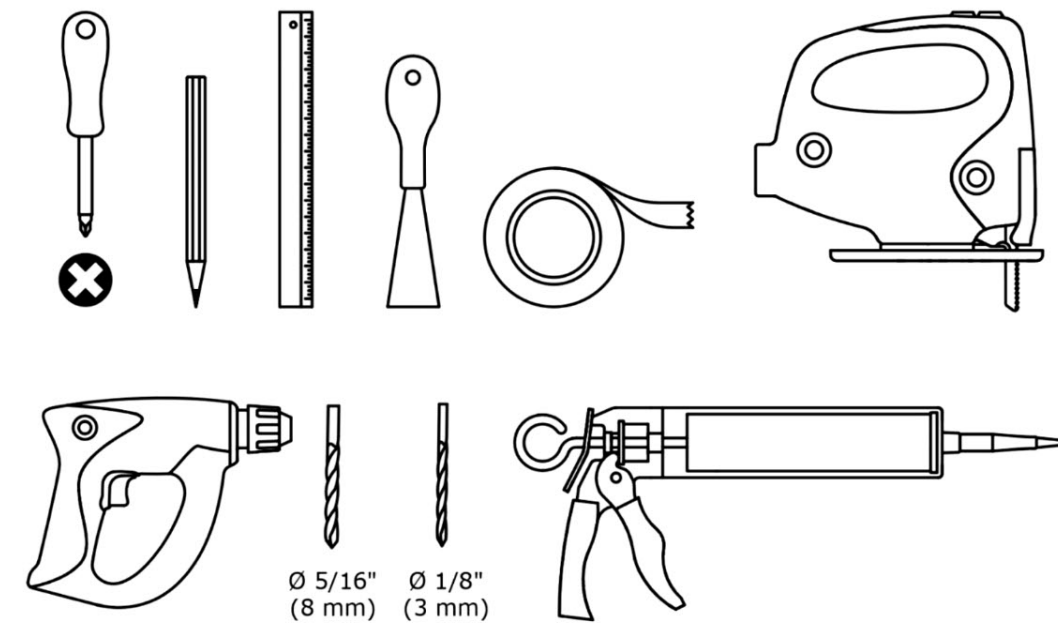


INSTALLATION INSTRUCTIONS

Farmhouse Ceramic Sink

INSTALLATION INSTRUCTIONS

Recommended Tools:

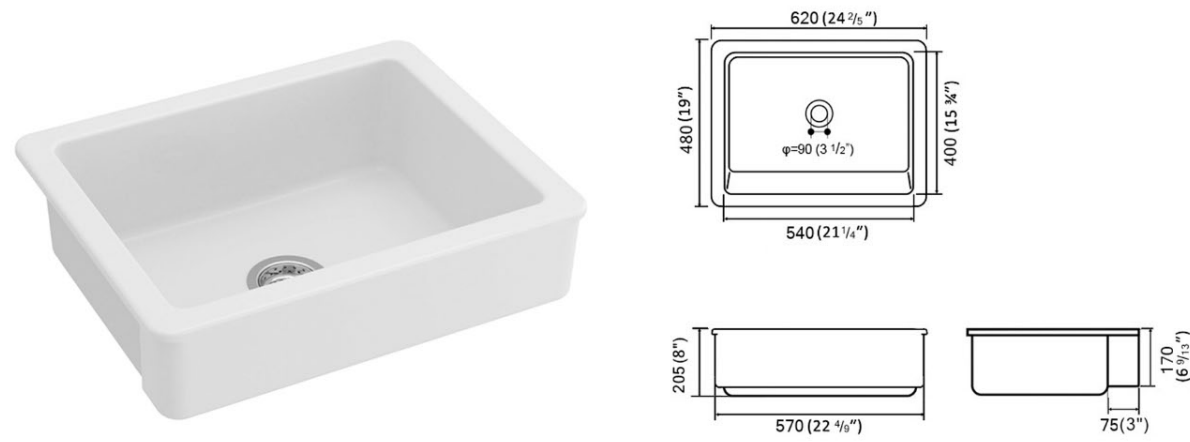


Pre-Install:

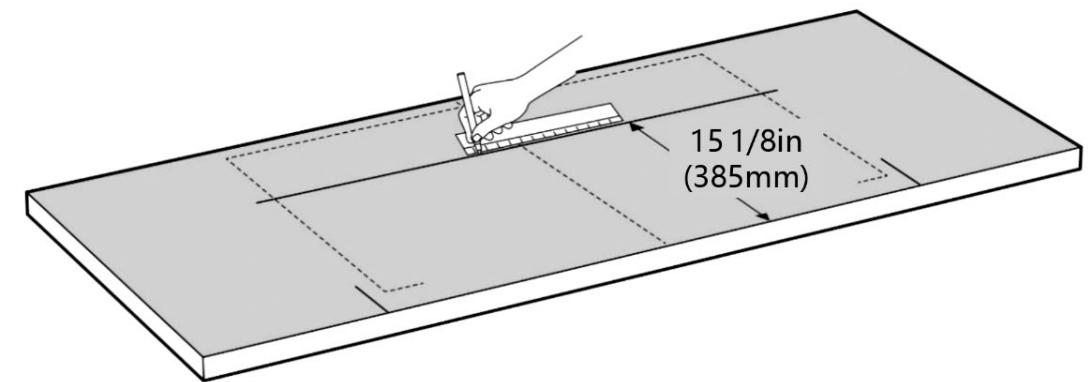
Measure the exact dimensions of your sink. Measure the width from the front top left corner to the front top right corner to get the full width of the sink. Measure the depth from the front center to the back center. Make sure these 2 measurements are larger than the countertop cut measurements.

IMPORTANT We recommend consulting a professional if you are unfamiliar with installing kitchen fixtures and plumbing.

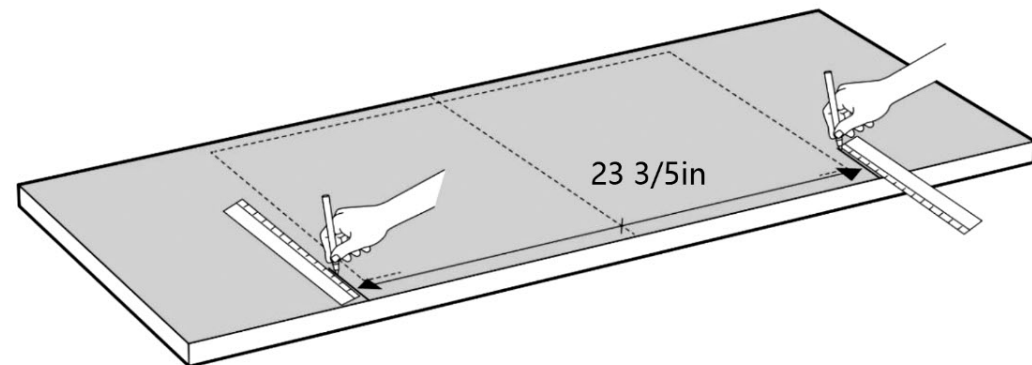
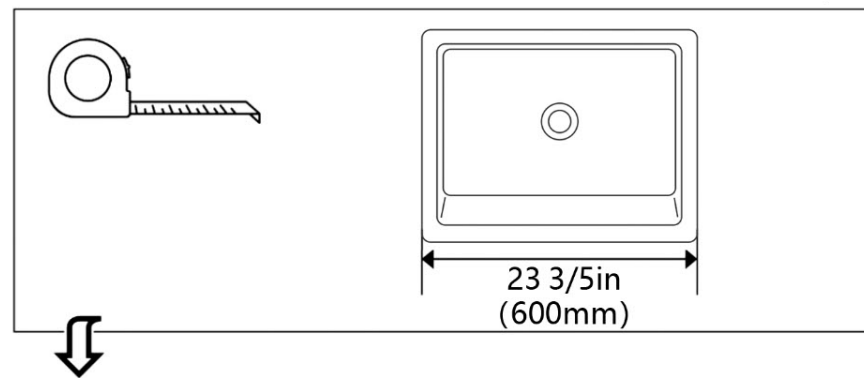
Model No.DL01-620



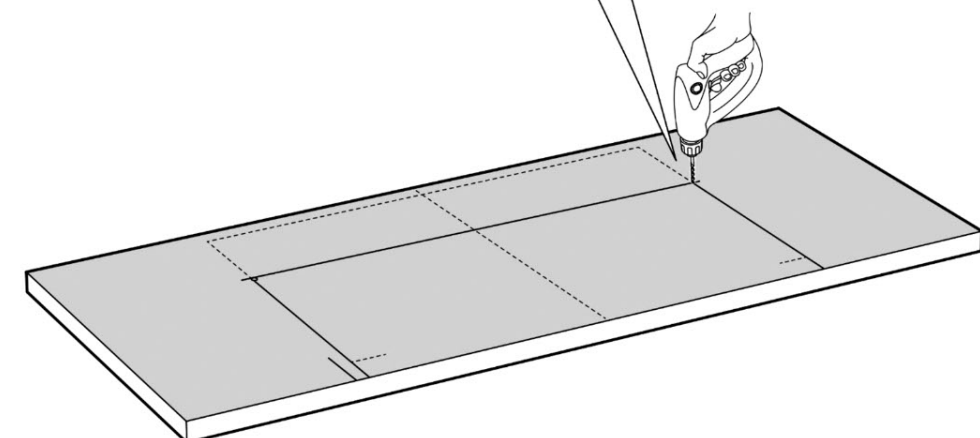
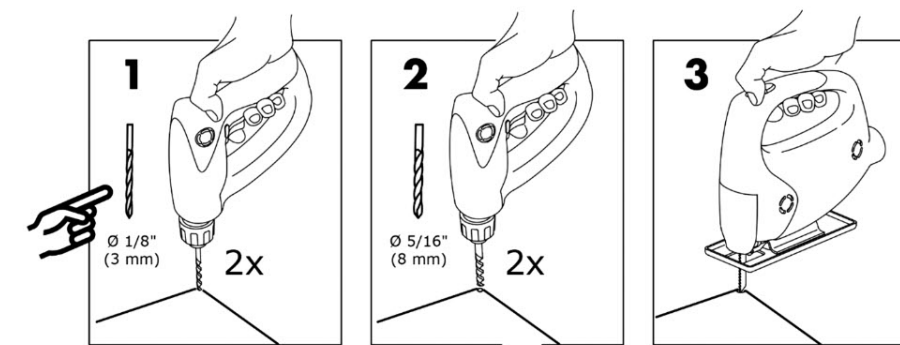
Step 2:
Mark 15 1/8in depth (front to back) to cut out on the bottom of the countertop.



Mark 23 3/5in width to cut out on the bottom of the countertop



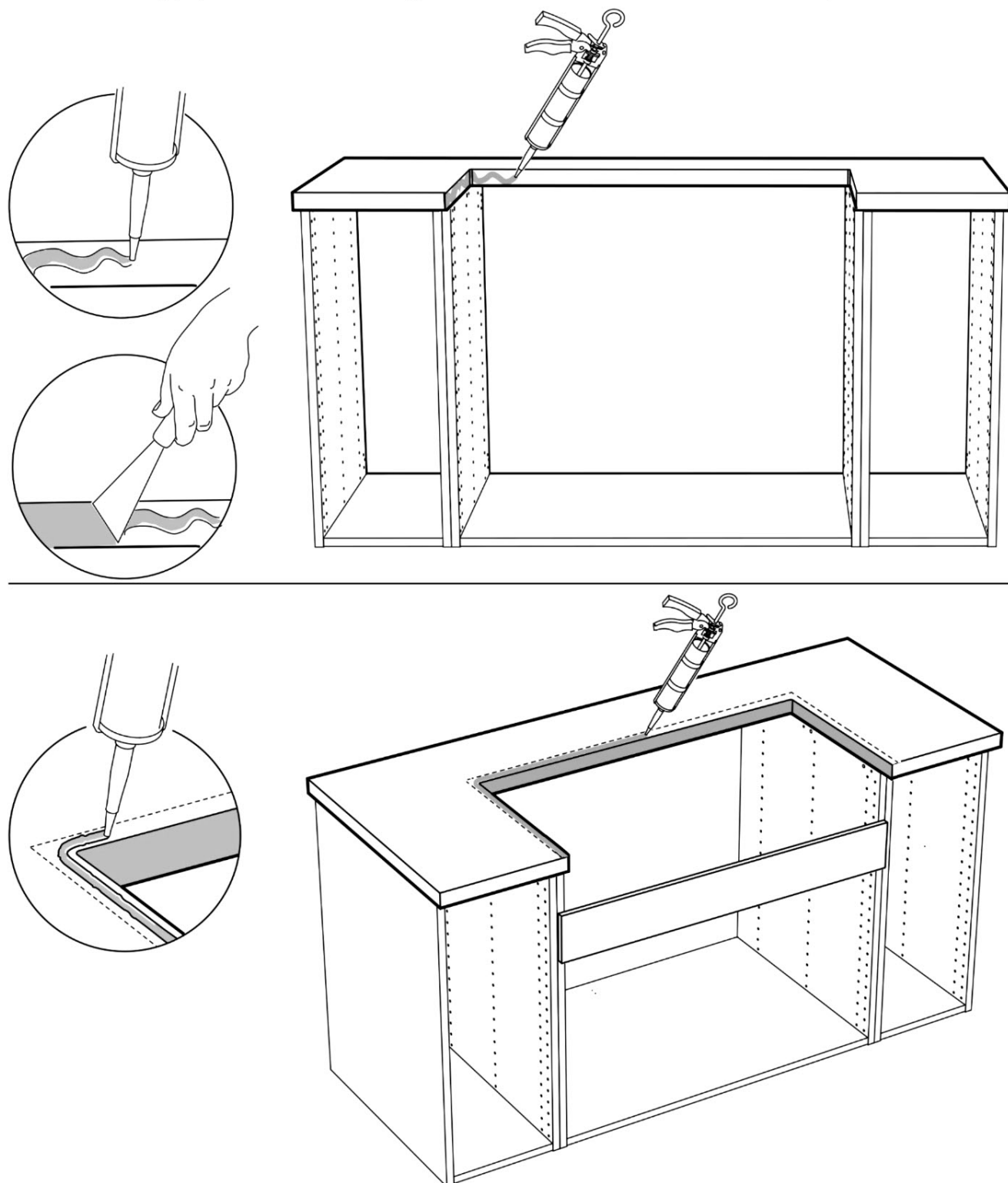
Step 3:
For laminate countertops only, drill pilot holes in the two back corners of the countertop cut area, then use a saw to cut the countertop. For other countertop materials refer to your fabricator or manufacturer's suggested cutting instructions.



IMPORTANT Due to the nature of ceramics, each sink dimensions may vary slightly. Make sure your physical sink width is wider than the cut countertop width of 23 3/5in.

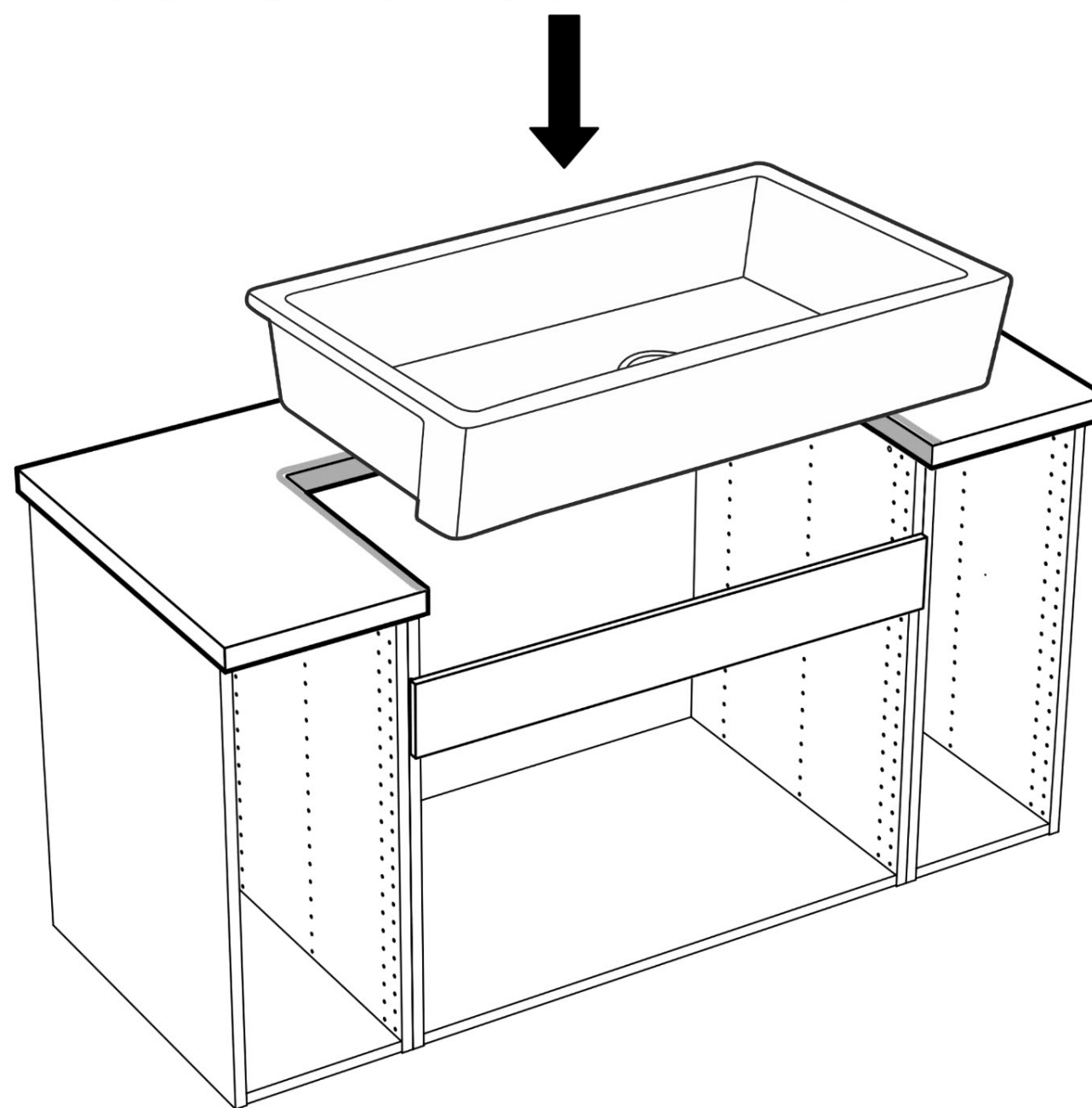
Step 4:

Apply silicone to all edges that sink touches the countertop.



Step 5:

With 2 people using caution, carefully top mount the sink into precut countertop.



IMPORTANT Take care when handling ceramic sinks as they are very heavy

IMPORTANT To prevent water leaking into the countertop, sink must be installed with all three cut edges sealed with silicone. Silicone is not included.

Step 6:

Apply additional silicone to seal up all edges around the sink.

