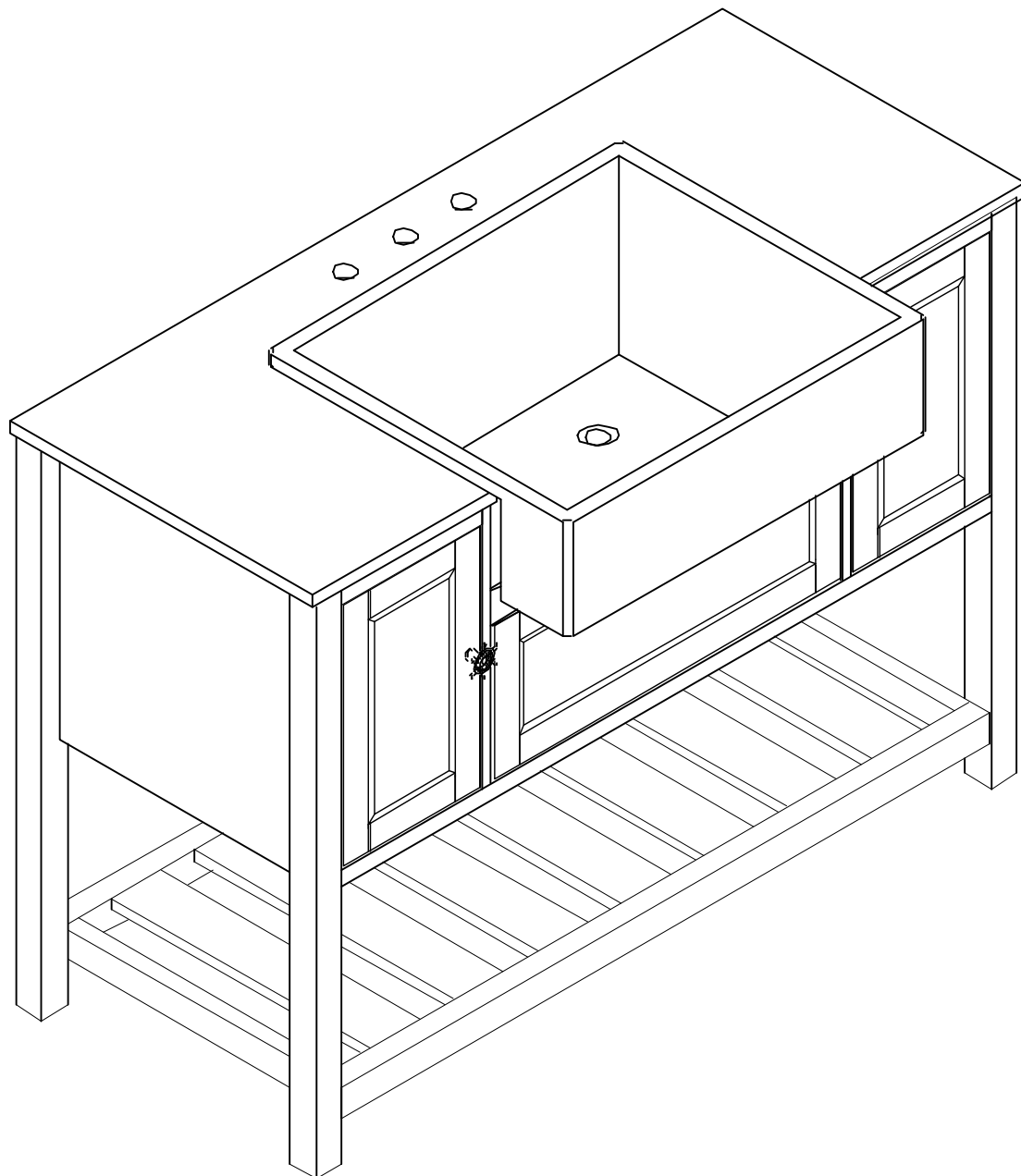


BATHROOM VANITY



Dimensions

Width - 47.24inch

Depth - 20.2inch

Height - 33.6inch

Important – Please read these instructions fully before starting assembly



Safety and Care Advice

Important – Please read these instructions fully before starting assembly

- Check you have all the components and tools listed on the following pages.
- Remove all fittings from the plastic bags and separate them into their groups.
- Keep children and animals away from the work area, small parts could choke if swallowed.
- Make sure you have enough space to layout the parts before starting.

- During assembly do not stand or put weight on the product, this could cause damage.
- Assemble the item as close to its final position (in the same room) as possible.
- Assemble on a soft level surface to avoid damaging the unit or your floor.
- Parts of the assembly will be easier with 2 people.



- To reduce the likelihood of damaging your product please ensure that your power drill is set on a low torque setting.

Care and maintenance

- Only clean using a damp cloth and mild detergent, do not use bleach or abrasive cleaners.
- From time to time check that there are no loose screws on this unit.
- This product should not be discarded with household waste. Take to your local authority waste disposal centre.

Handy Hints

- Assemble all parts and bolts loosely during assembly, only once the product is complete should you fully tighten the bolts
- Regularly check and ensure That all bolts and fittings are tightend properly.

WARNING In order to help prevent overturning – please follow these instructions

To help prevent product toppling over please follow the below steps:-

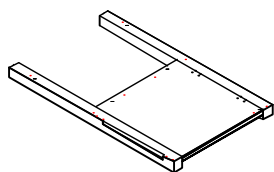
Use the anti tip stap or wall fixing method provided (if applicable)
Do not allow children to climb or hang on the furniture
Do not open more than one drawer at a time
Do not place heavy items in the top drawers
Do not place heavy items on top of the furniture, unless the furniture has been designed for this purpose

please note that only the anti tip strap is provided.

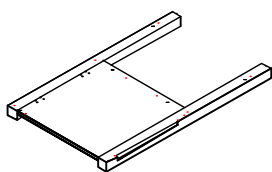
You will need to provide wall plugs and screws applicable for your wall type

Components - Panels

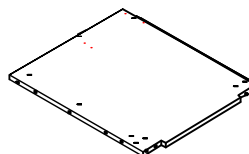
Please check you have all the panels listed below



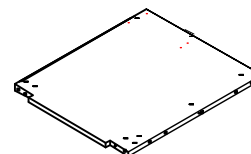
1 (853*513*45mm)*1



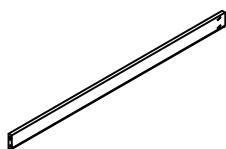
2 (853*513*45mm)*1



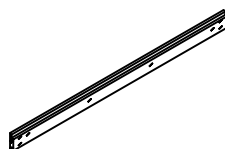
3 (507*425*16mm)*1



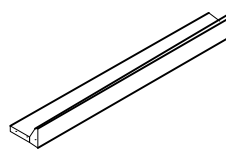
4 (507*425*16mm)*1



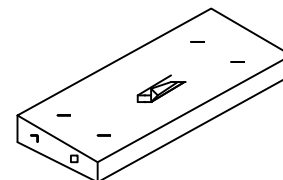
5 (1110*70*20mm)*1



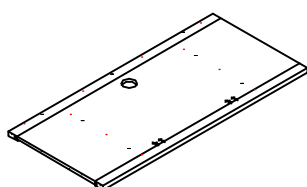
6 (1110*70*20mm)*1



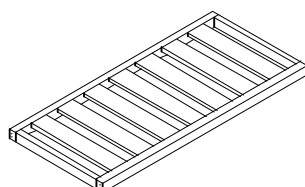
7 (600*80*45mm)*1



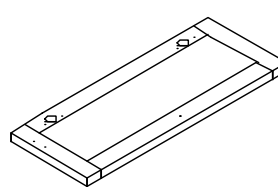
8 (239*100*25mm)*2



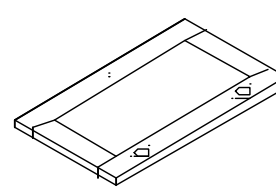
9 (1110*513*25mm)*1



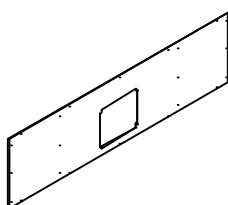
10 (1110*513*45mm)*1



11 (596*229*21mm)*1



12 (396*235*21mm)*2



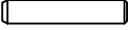
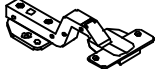







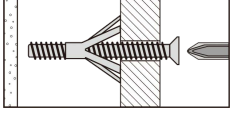



13 (1138*313*5mm)*1

Components - Fittings

Please check you have all the fittings listed below

Note: The quantities below are the correct amount to complete the assembly. In some cases more fittings may be supplied than are required.

<p>A</p>  <p>Male Camlock*51</p>	<p>B</p>  <p>Female Camlock*51</p>	<p>C</p>  <p>Dowel pins*22</p>
<p>D</p>  <p>Hinge*6</p>	<p>E</p>  <p>Hydraulic rod*1</p>	<p>F</p>  <p>Handle*3</p>
<p>G</p>  <p>Drain cover*1</p>	<p>H</p>  <p>Adjustable feet*4</p>	<p>I</p>  <p>Self-tapping screw*48</p>
<p>J</p>  <p>screw*23</p>	<p>K</p>  <p>Black rubber pad*8</p>	<p>L</p>  <p>anchor & screws*2</p>
<p>M</p>  <p>Decorative cover*2</p>		

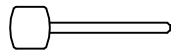
Tools required



Hand drill



Screwdriver



Rubber hammer

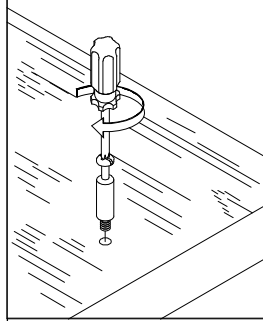
Using Camlocks

Step 1

Connect the male camlock as directed in the assembly instructions using a screwdriver.

1

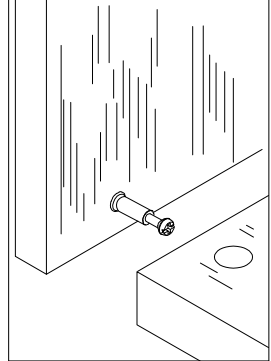
DO NOT OVER TIGHTEN.
NE PAS SERRER EXCESSIVEMENT.



Step 2

Push the male camlock into the entry hole.

2

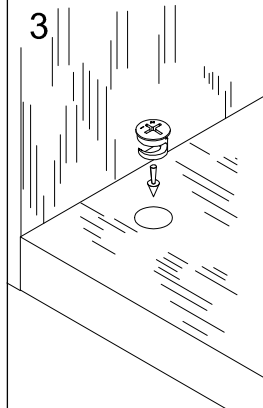


Step 3

Insert the female camlock as shown in the instruction.

Note: ensure that the arrow on the top of the camlock points towards the entry hole for the male camlock.

3



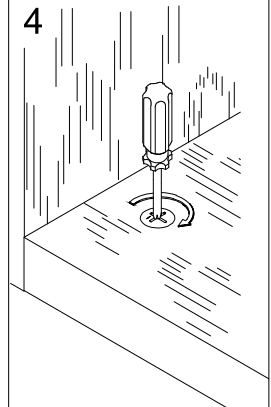
Step 4

Turn the female camlock clockwise with a screwdriver.

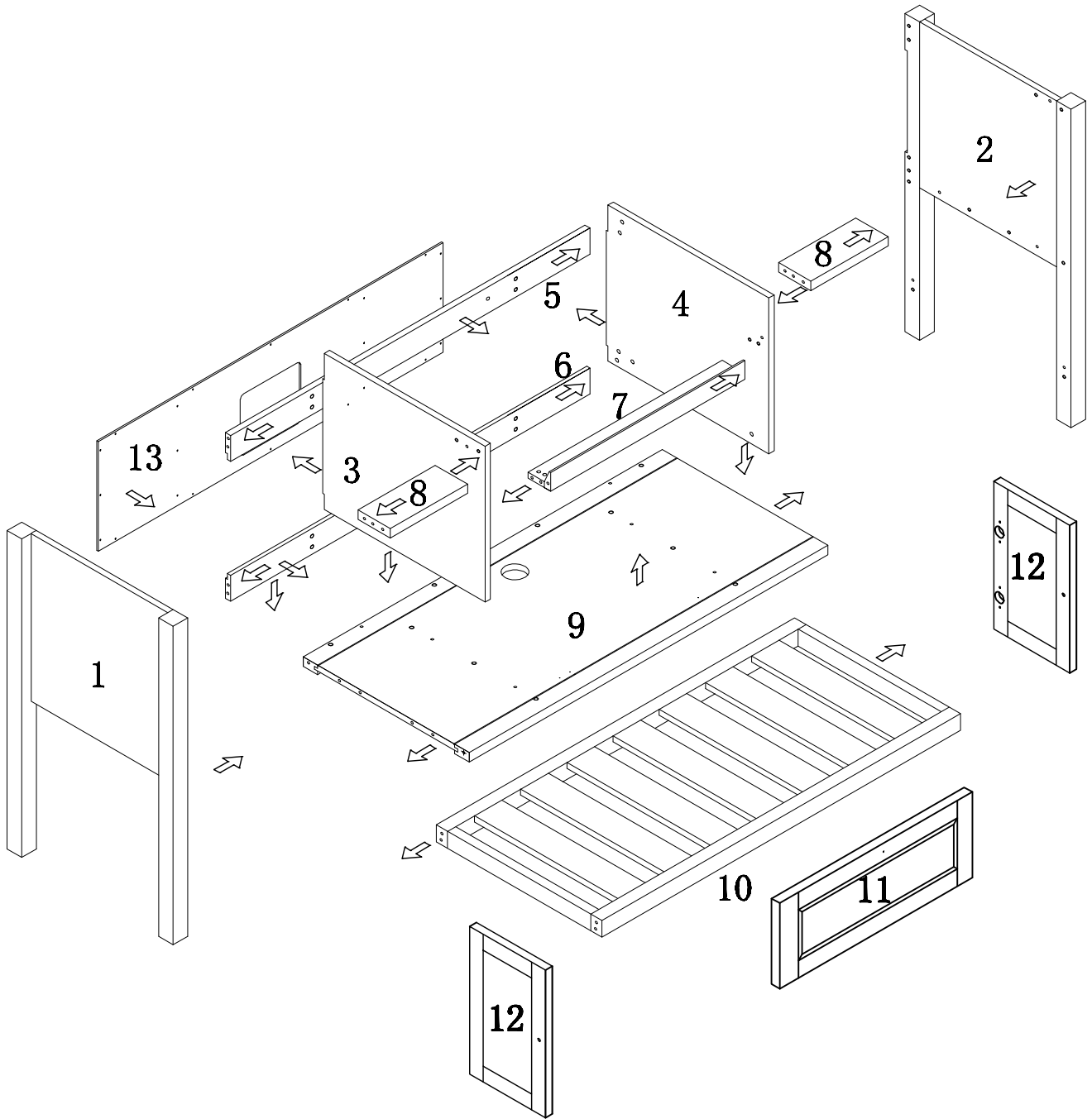
You should feel a click when the camlock is locked in place.

The joint is now secure.

4



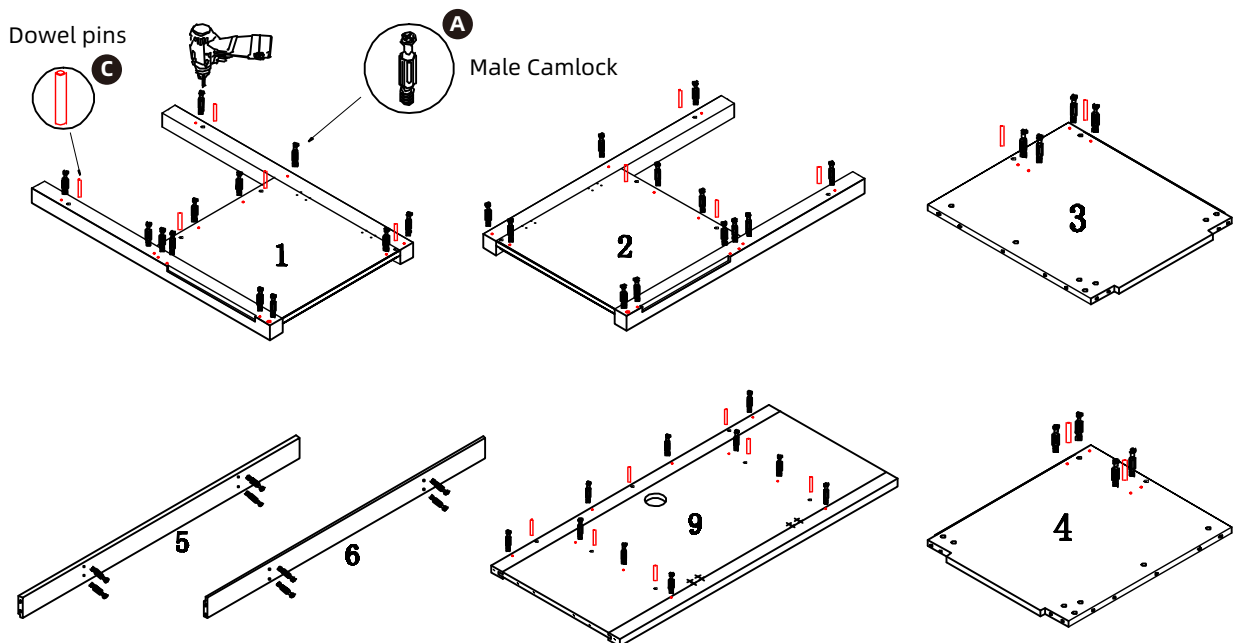
Assembly Instructions



Assembly Instructions

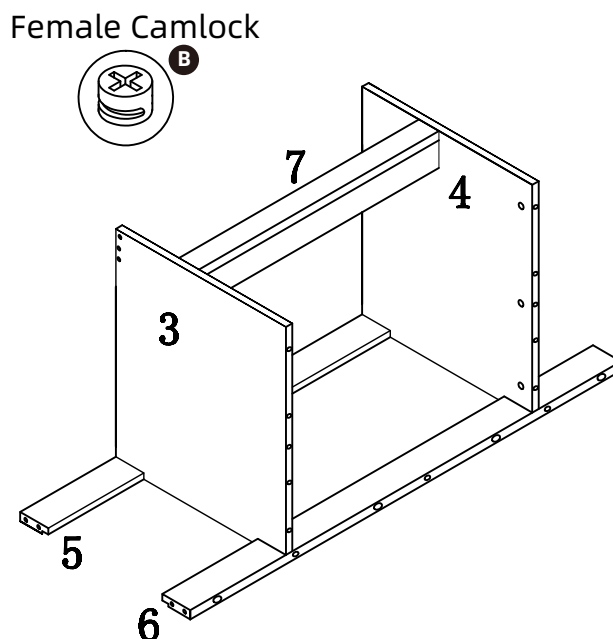
Step 1

Installation instructions: insert A to part 1,2,3,4,5,6,9
insert C to part 1,2,3,4,5,6,9



Step 2

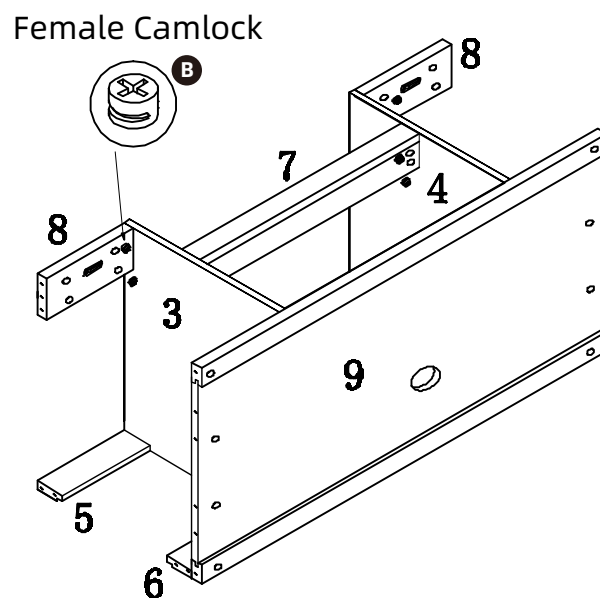
Installation instructions: Assemble part 3, 4, 5, 6 and 7 with B (Female Camlock)



Assembly Instructions

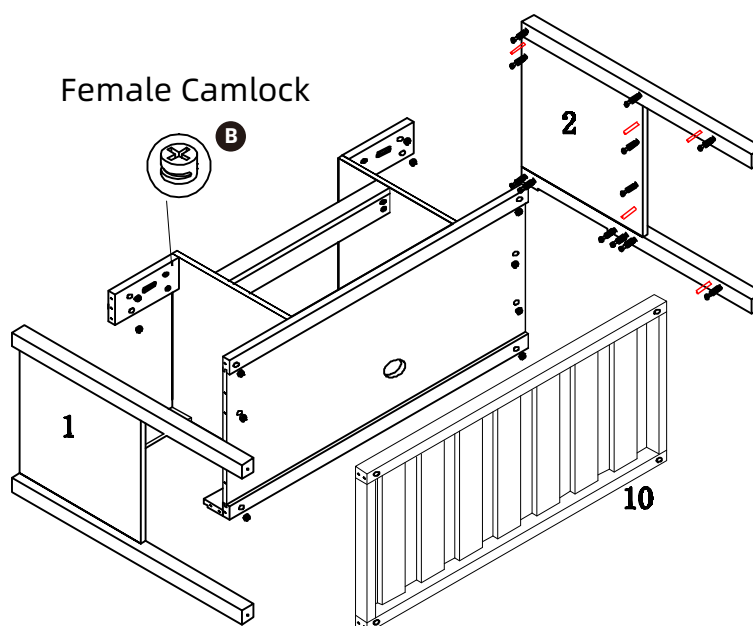
Step 3

Installation instructions: Assemble part 8 and 9 with B (Female Camlock)



Step 4

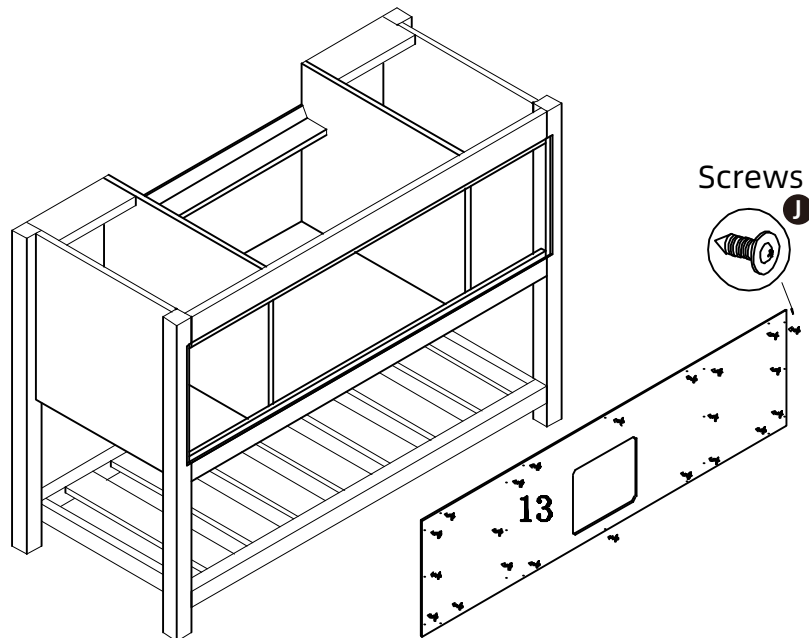
Installation instructions: Assemble part 1, 2 and 10 with B (Female Camlock)



Assembly Instructions

Step 5

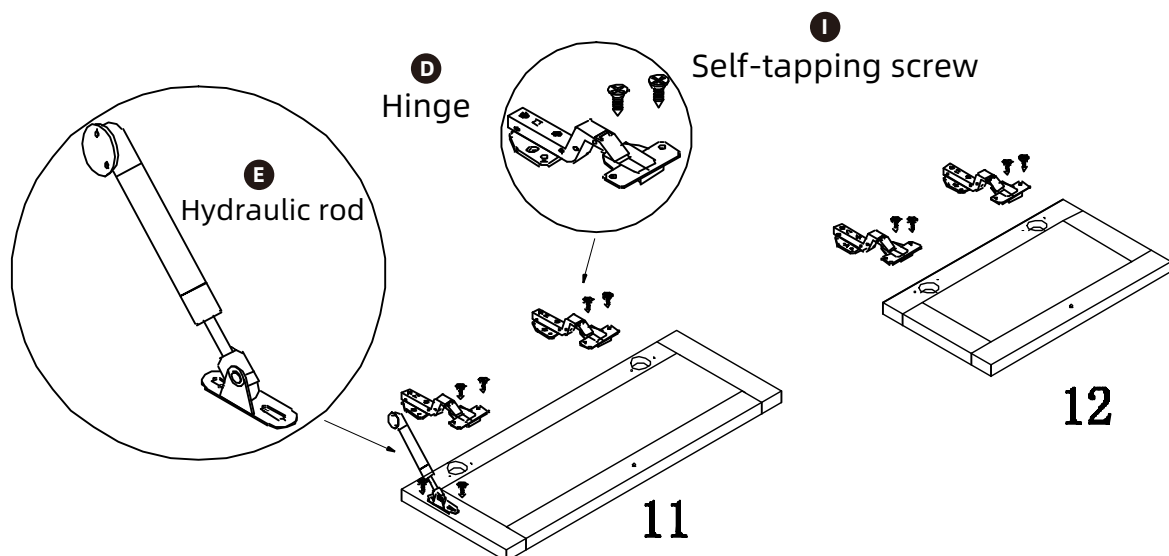
Installation instructions: Attach part 13 to cabinet back part with J (screw)



Step 6

Installation instructions: Install D (Hinge) on part 11, 12

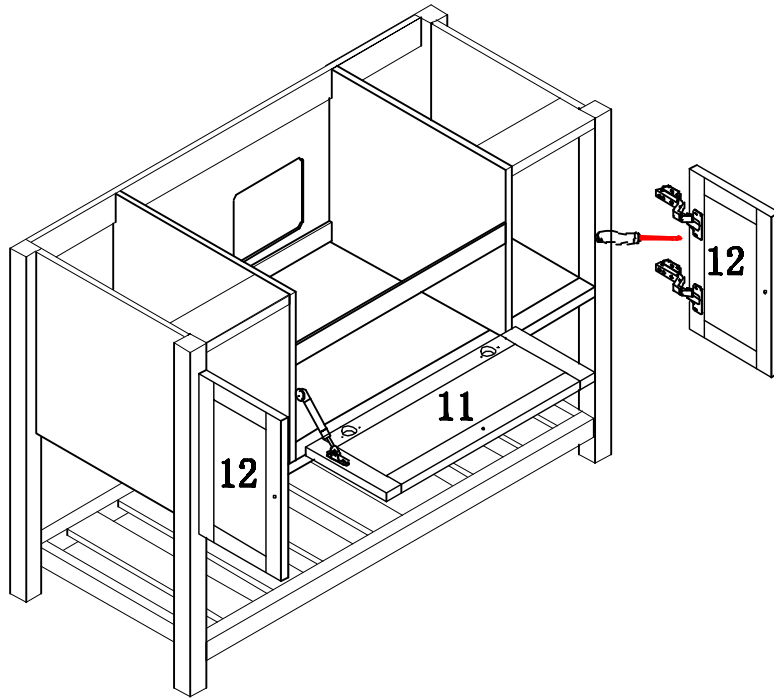
Install E (Hydraulic rod) on part 11 with I (Self-tapping screw)



Assembly Instructions

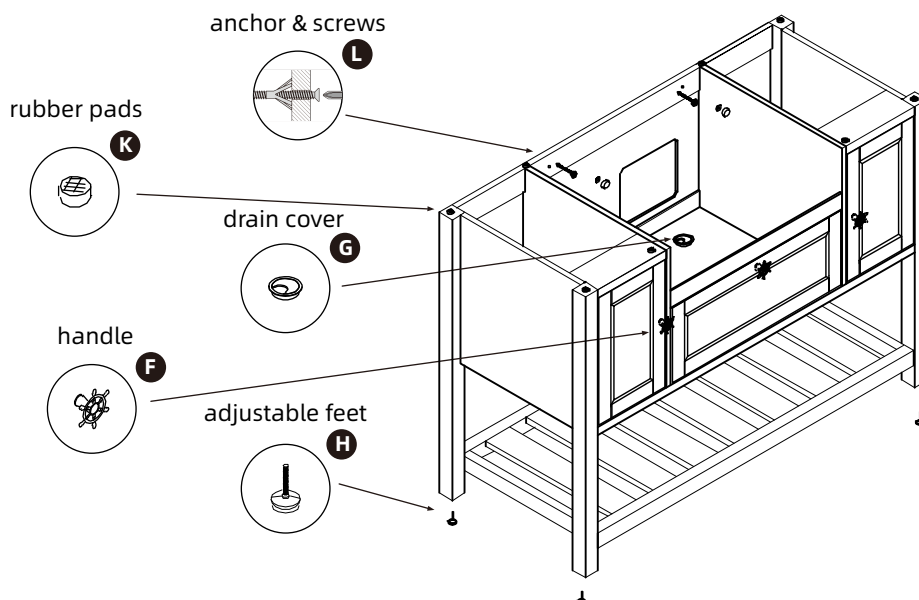
Step 7

Installation instructions: Install part 11 and 12 on the cabinet with self-tapping screws according to the lead holes, and adjust the hinges with a screwdriver.



Step 8

Installation instructions: Install H (adjustable feet) on the cabinet leg base)
Install G (drain cover) on part 9
Install F (handle) on part 11,12
Install K (rubber pads) on the legs top
Fixed the cabinet to the wall with L (anchor & screws)



Assembly Instructions

Step 9

Installation instructions: Put the countertop & ceramic basin on the cabinet to complete the installation.

