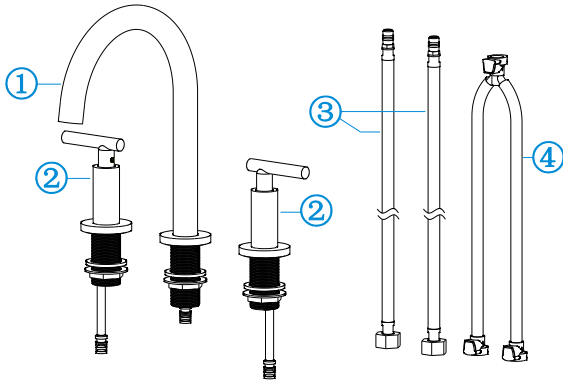


HIGH-QUALITY

FAUCETS

INSTALLATION GUIDE

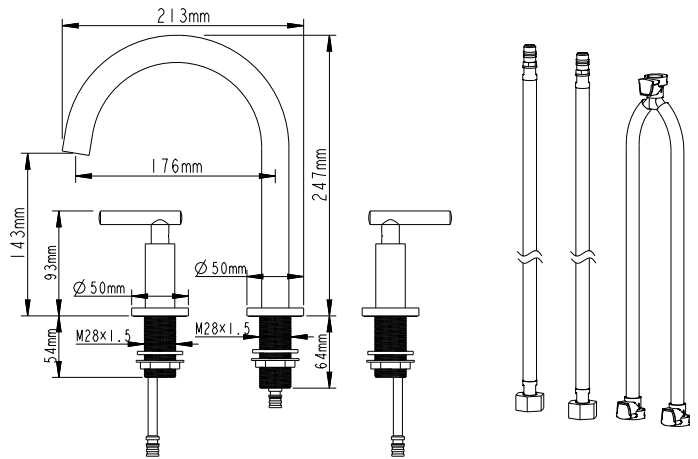
SERVICE PARTS:



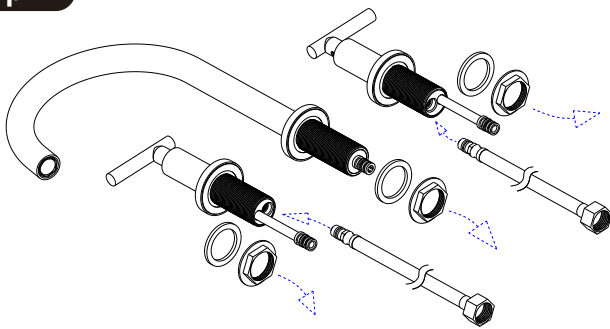
No.	DESCRIPTION
1	Spout kit
2	Side Body Assy
3	Inlet Hoses
4	Quick connect hose

NOTES AND DIMENSIONS:

1. Please check that all components and tools are present.
2. Before installation ensure that all feed lines are clear of debris and on/off valve is present.
3. Ensure water pressure is between 20~125 PSI. (includes combination of hot and cold feed lines)
4. Pictures in the manual are general in content and may not represent exactly your purchased faucet. If you are having difficulties please contact a professional plumber.
5. If you will be away from home for an extended period you should shut off the main water supply.

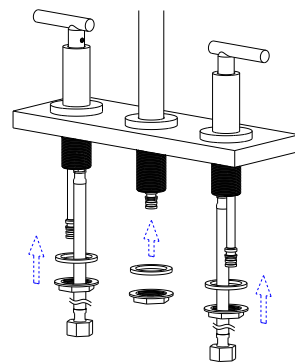


Step 1:



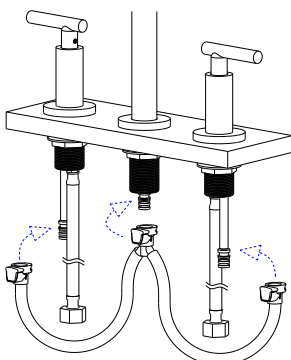
Loosen the nuts and remove the gaskets. Connect the inlet hoses to the side body assembly.

Step 2:



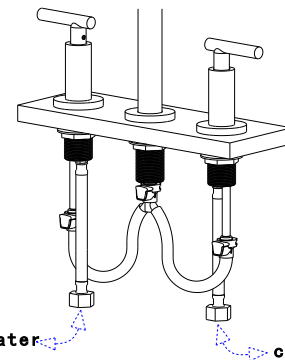
Use the nuts to fix the faucet, gaskets are required between the nuts and the fixing plate.

Step 3:



Connect the spout kit and the side body assembly with quick connect hose.

Step 4:



Connect the inlet hoses to the water supply valve. Installation complete.