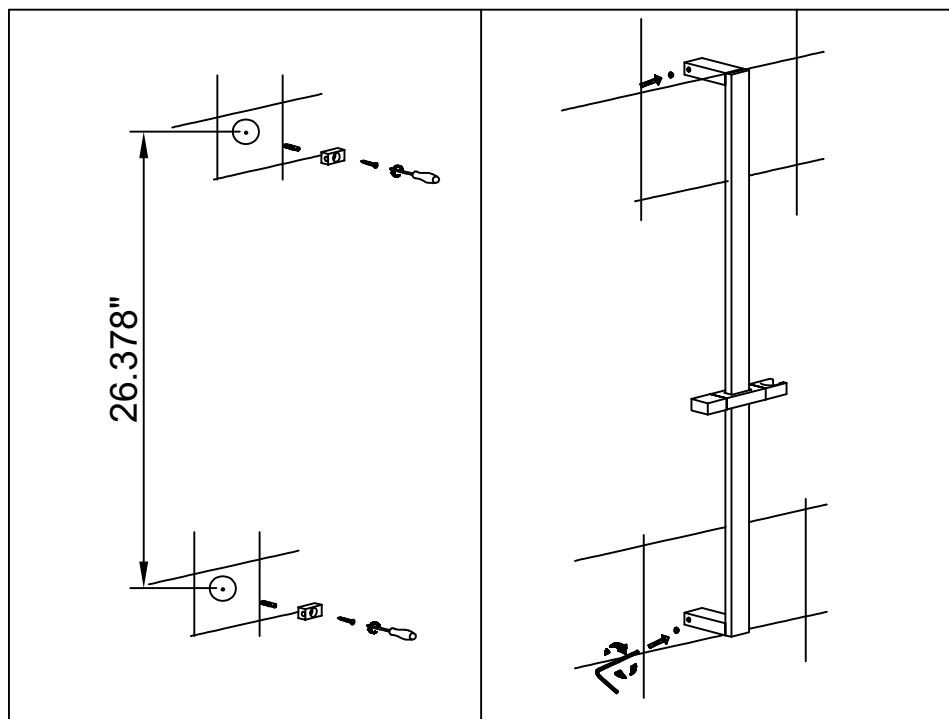


Installation Instruction of Lifting rod

三、Installation method

(Style 6)

- 1、 According to the corresponding product installation dimension drawing, determine the location of the installation hole and mark it; The fixing seat is installed on the wall by special method; Refer to the installation environment.
- 2、 Drive the screw pellets into the hole and tighten the screw with a screwdriver. Lock the fixing seat on the wall.
- 3、 Install the slide bar into the fixing seat on the wall, and fix the slide bar with a hexagonal screwdriver.

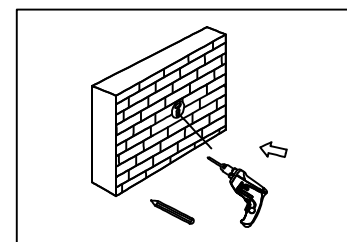


一、Installation environment

Installation time: before drilling, please confirm whether there is power line or water pipe in the wall with the help of electronic detection instrument. If you use an electric drill, don't forget the following two points:

- 1、 Please wear protective glasses
- 2、 Turn off the power after using the equipment

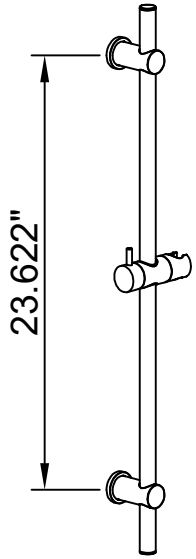
Drilling positioning hole: first, determine the location of the installation hole and mark it according to the product installation dimension drawing; Drill with a special drill bit, drill the expansion glue fixing hole with a percussion drill, and drive in the expansion glue.



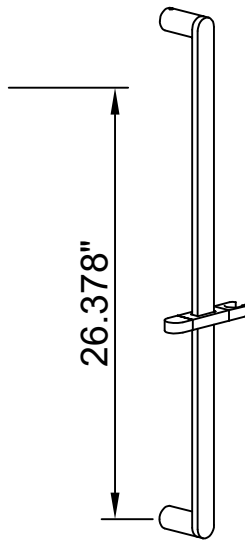
二、Installation dimension

Before installation, refer to the product installation dimension drawing to determine the installation position.

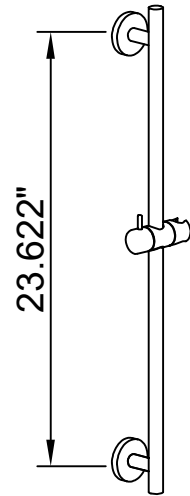
Style 1



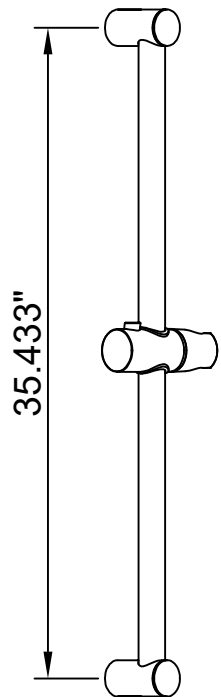
Style 2



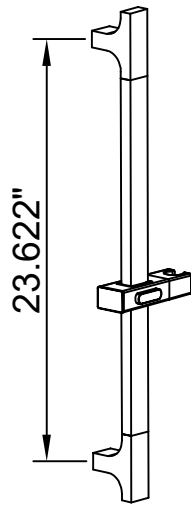
Style 3



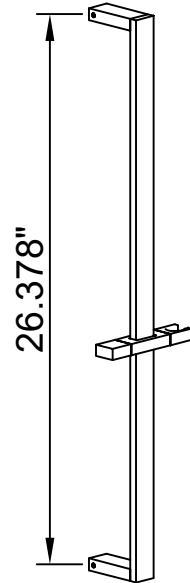
Style 4



Style 5



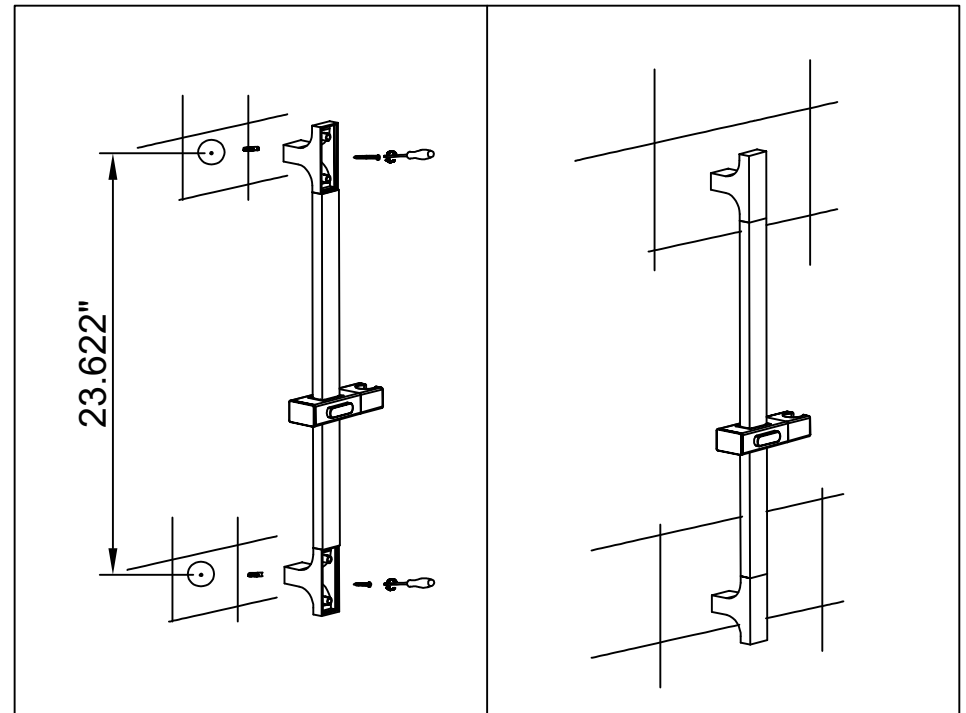
Style 6



三、Installation method

(Style 5)

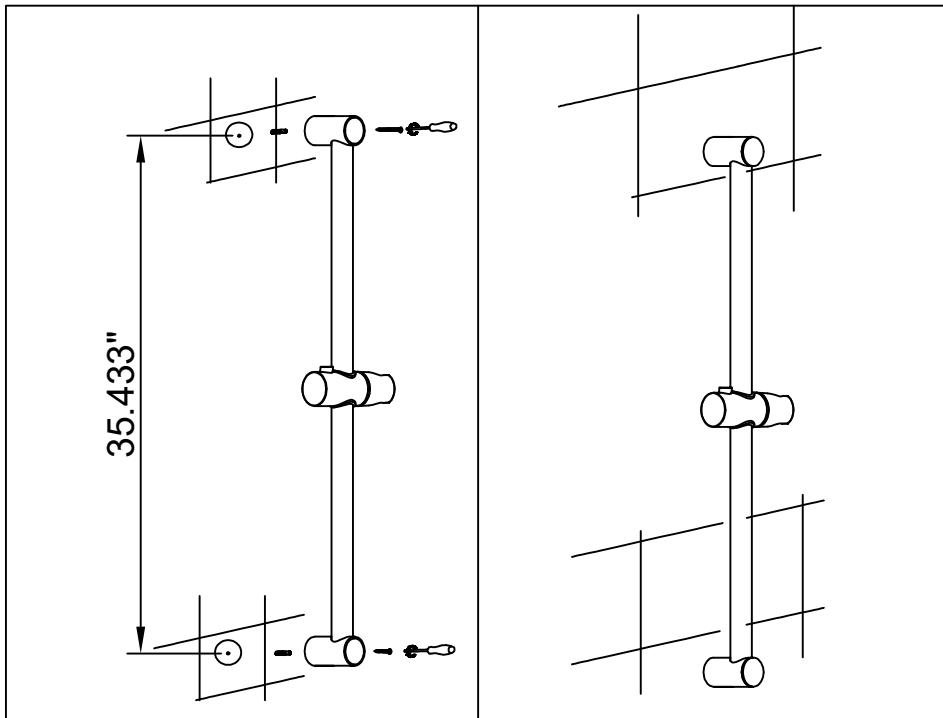
- 1、 According to the corresponding product installation dimension drawing, determine the location of the installation hole and mark it; The fixing seat is installed on the wall by special method; Refer to the installation environment.
- 2、 Drive the screw core into the hole, open the plastic fixing seat cover, install the sliding rod into the fixing seat, and then tighten the screw with a screwdriver. Lock the mounting on the wall.
- 3、 Install the cover of the fixing base on the fixing base .



三、Installation method

(Style 4)

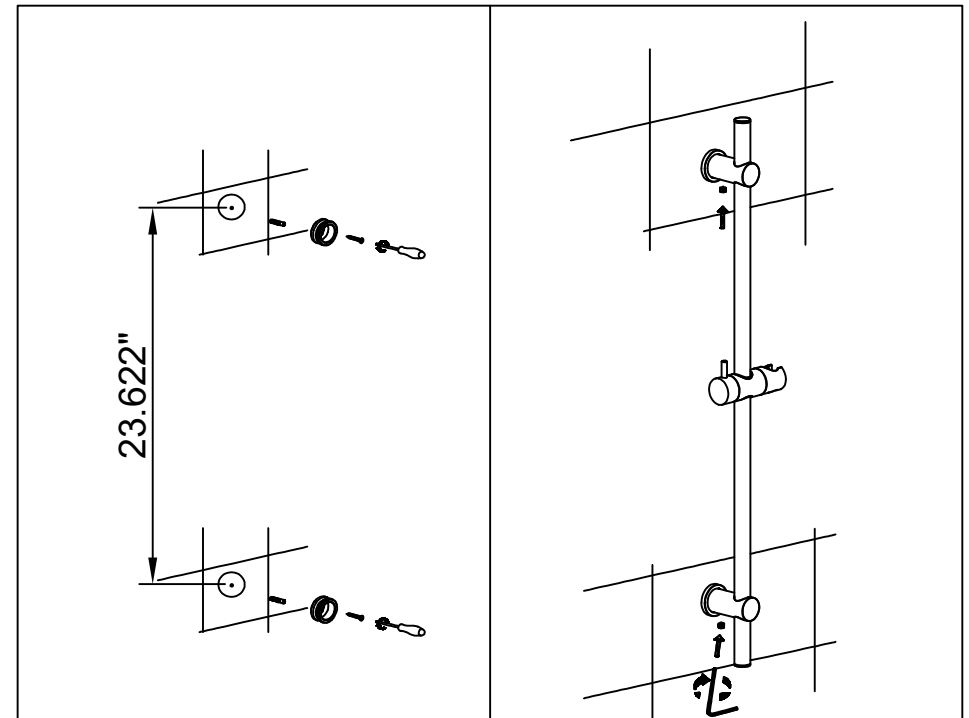
- 1、 According to the corresponding product installation dimension drawing, determine the location of the installation hole and mark it; The fixing seat is installed on the wall by special method; Refer to the installation environment.
- 2、 Drive the screw core into the hole, open the plastic fixing seat cover, install the sliding rod into the fixing seat, and then tighten the screw with a screwdriver. Lock the mounting on the wall.
- 3、 Install the cover of the fixing base on the fixing base .



三、Installation method

(Style 1)

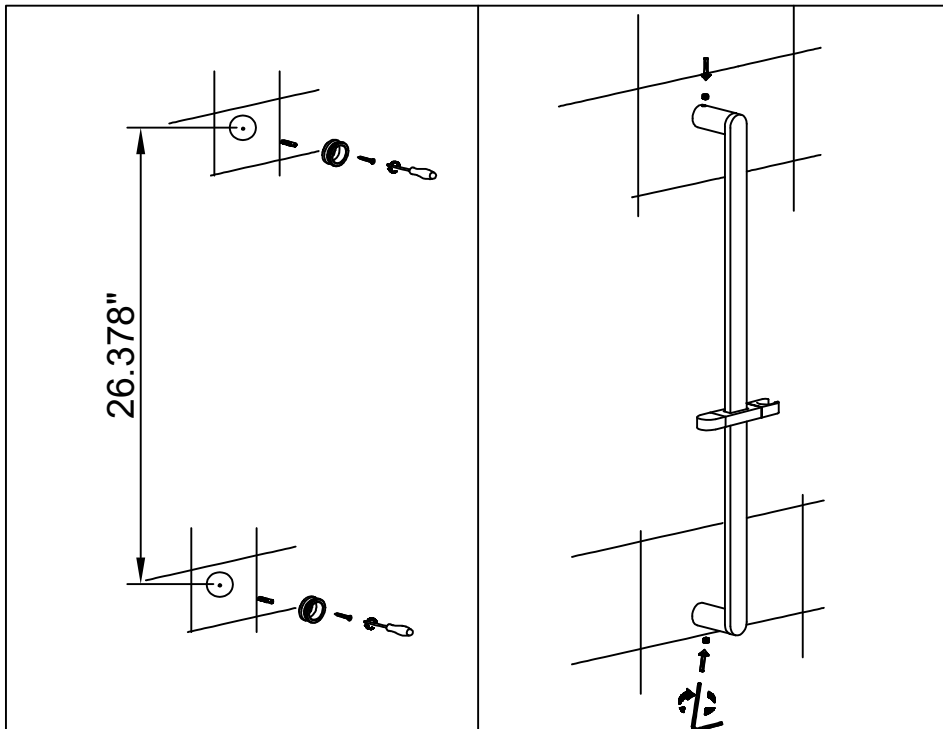
- 1、 According to the corresponding product installation dimension drawing, determine the location of the installation hole and mark it; The fixing seat is installed on the wall by special method; Refer to the installation environment.
- 2、 Drive the screw pellets into the hole and tighten the screw with a screwdriver. Lock the fixing seat on the wall.
- 3、 Install the slide bar into the fixing seat on the wall, and fix the slide bar with a hexagonal screwdriver.



三、Installation method

(Style 2)

- 1、 According to the corresponding product installation dimension drawing, determine the location of the installation hole and mark it; The fixing seat is installed on the wall by special method; Refer to the installation environment.
- 2、 Drive the screw pellets into the hole and tighten the screw with a screwdriver. Lock the fixing seat on the wall.
- 3、 Install the slide bar into the fixing seat on the wall, and fix the slide bar with a hexagonal screwdriver.



三、Installation method

(Style 3)

- 1、 According to the corresponding product installation dimension drawing, determine the location of the installation hole and mark it; The fixing seat is installed on the wall by special method; Refer to the installation environment.
- 2、 Drive the screw pellets into the hole and tighten the screw with a screwdriver. Lock the fixing seat on the wall.
- 3、 Install the slide bar into the fixing seat on the wall, and fix the slide bar with a hexagonal screwdriver.

