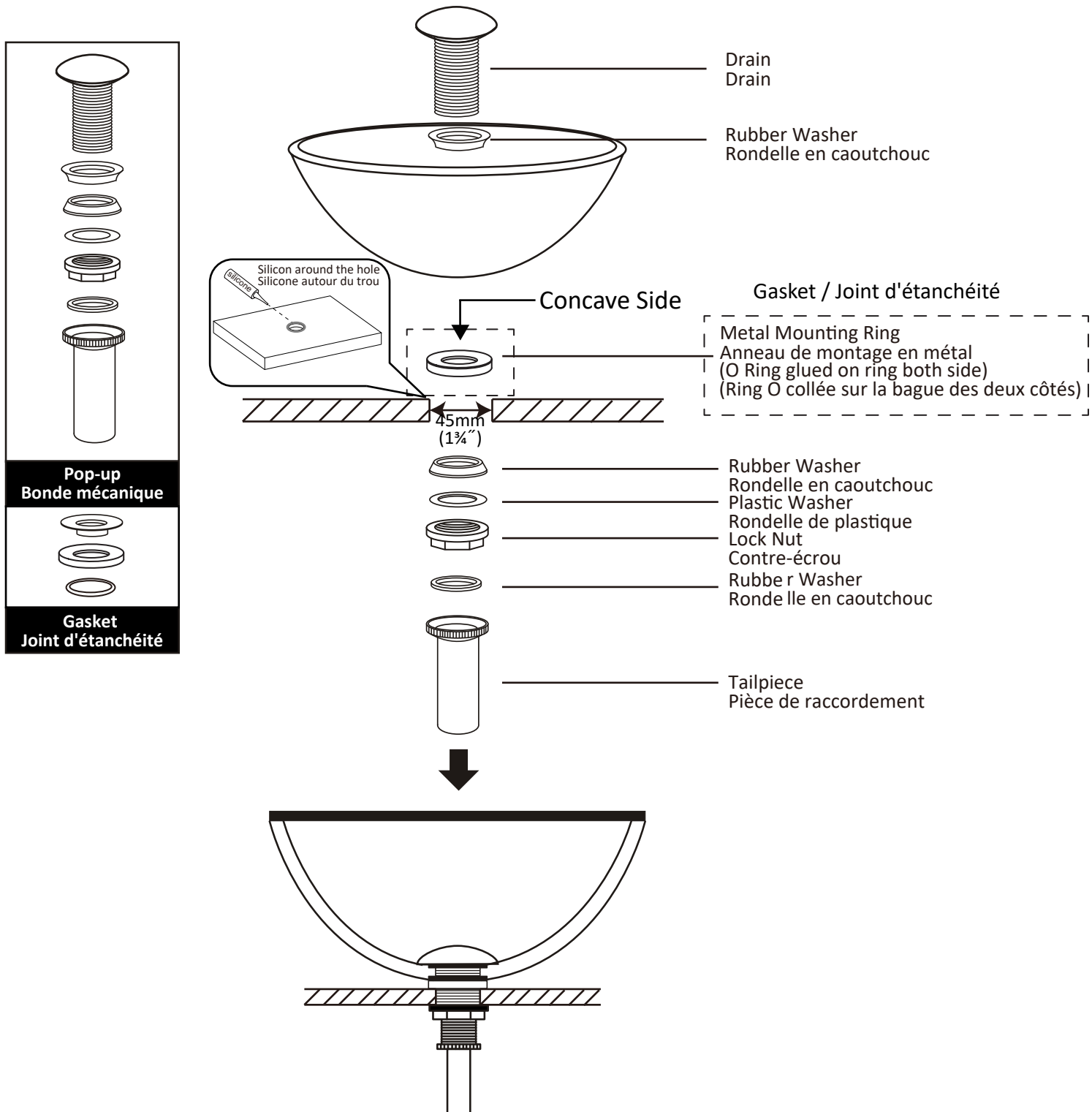
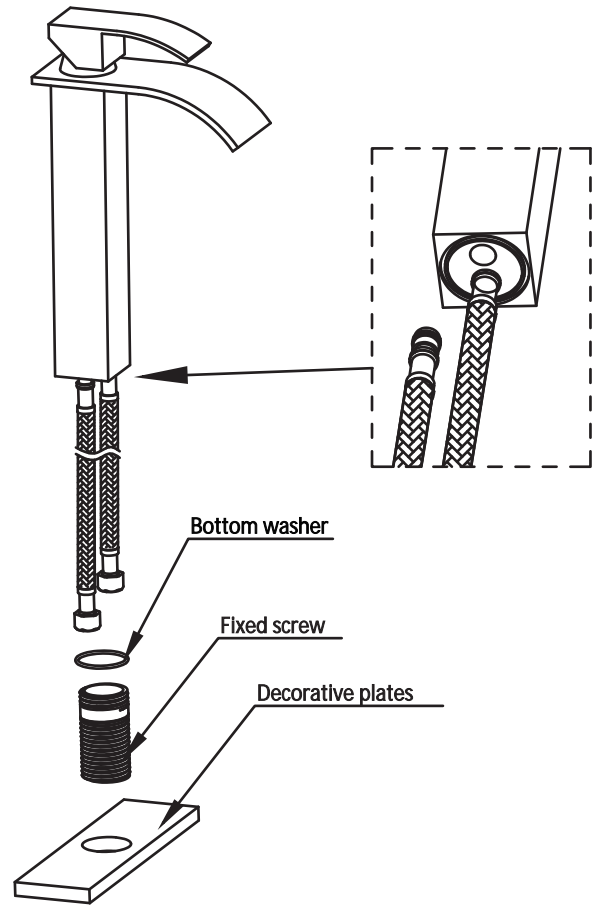
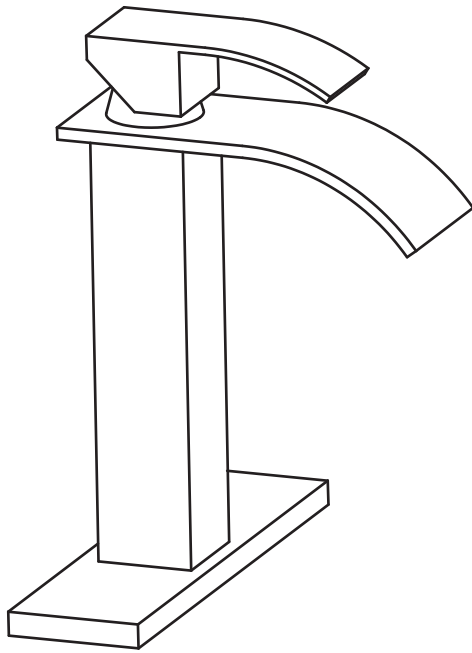


* Pop-up not included / Bonde mécanique non incluse

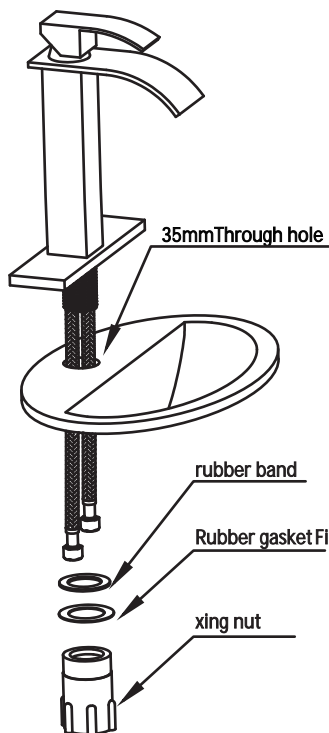


* ATTENTION : DO NOT OVER-TIGHTEN POP-UP/GASKET WHILE INSTALLING IT TO GLASS VESSEL.
ATTENTION : NE PAS TROP SERRER POP-UP/GASKET TOUT EN L'INSTALLANT À LA CUVE VERRE.

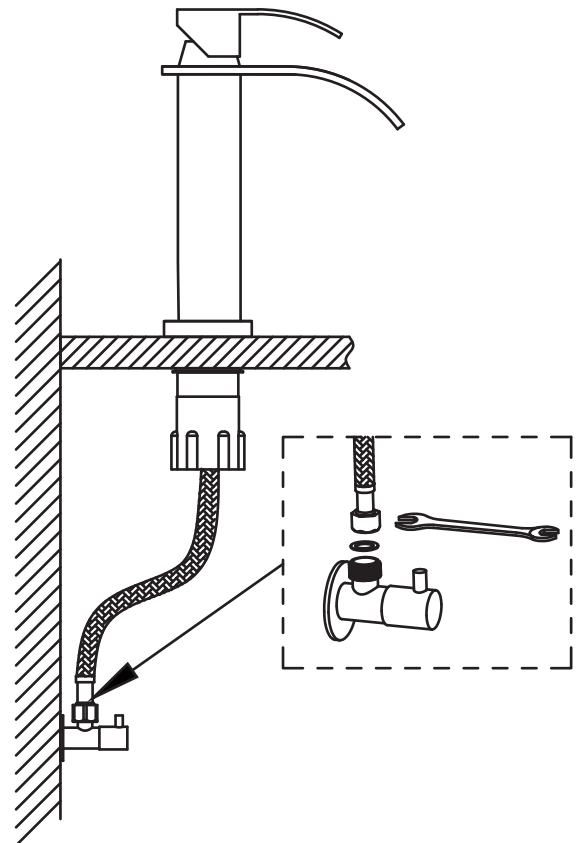
Basin faucet Installation Manual



1. Connect the water inlet pipe to the faucet, then put the bottom gasket into the bottom of the faucet, then tighten the faucet with a fixing screw, and then put on the decorative panel.



2. Make sure the basin has a 35mm through hole, pass the hose through the hole, pass the rubber ring, rubber washer, and fixing nut into the hole in the order of the drawing, and tighten the fixing nut and the fixing screw to fix the faucet on the basin



3. Connect the two inlet pipes on the main body of the faucet to the angle valve. Follow the "red" and "blue" points on the handle of the faucet, the left is red and the right is blue, respectively connecting the "hot"/"cold" water.