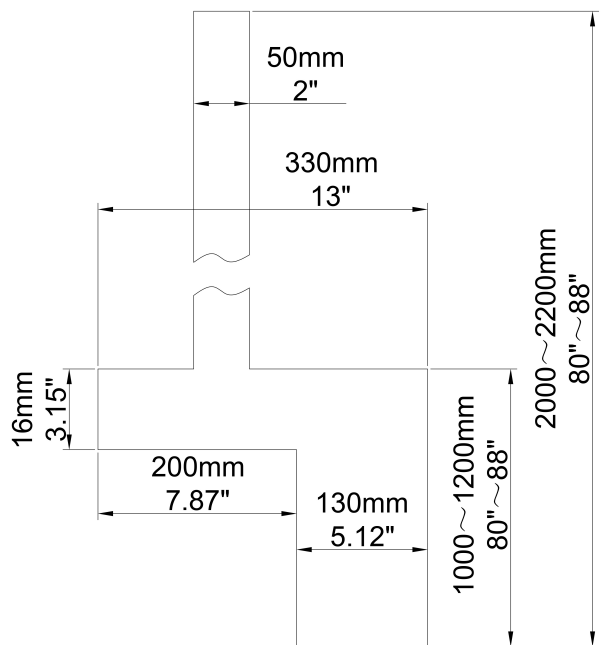
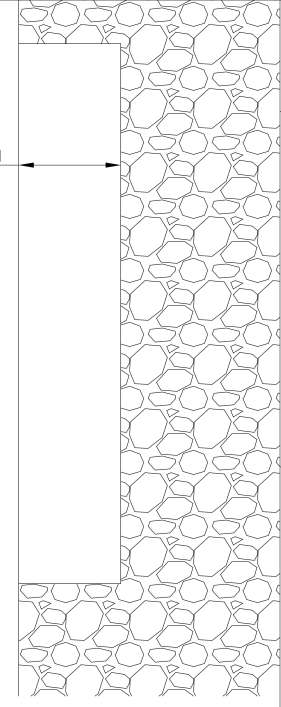


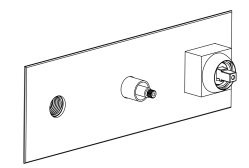
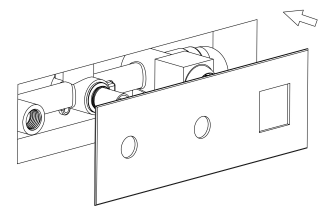
1. Dig pipe grooves for pre-burrying pipes.



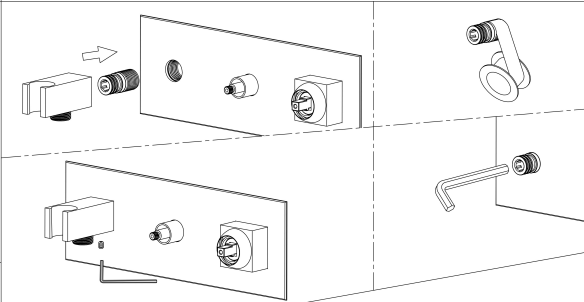
2.3-2.5"
60-65mm



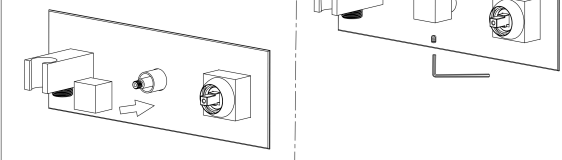
3. install the main body cover plate



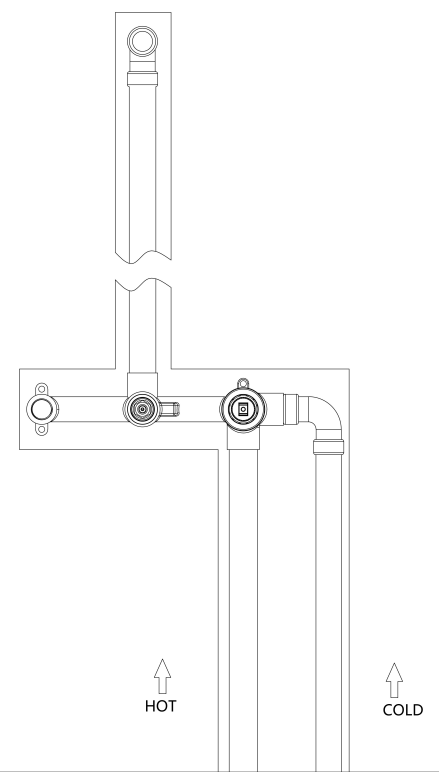
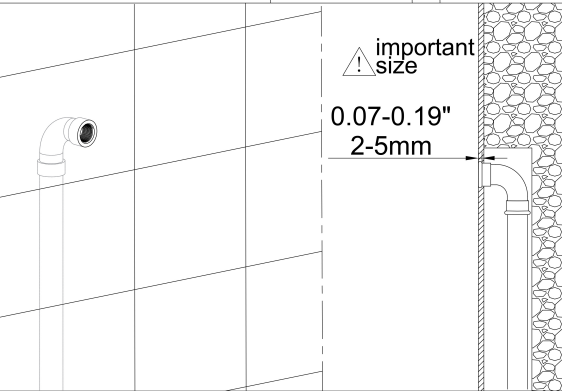
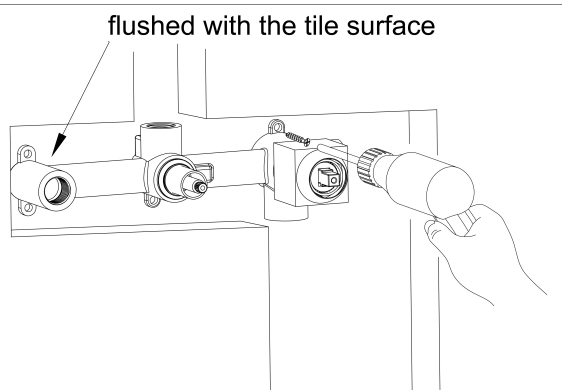
4. Install hand shower bracket.
(wrap the PTFE tape on the thread)



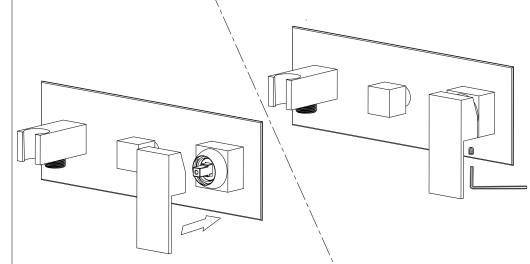
5. Install diverter



2. Install the main body, water inlet and outlet pipes.



6. Install handle.



7. Install shower arm and rain shower head.

