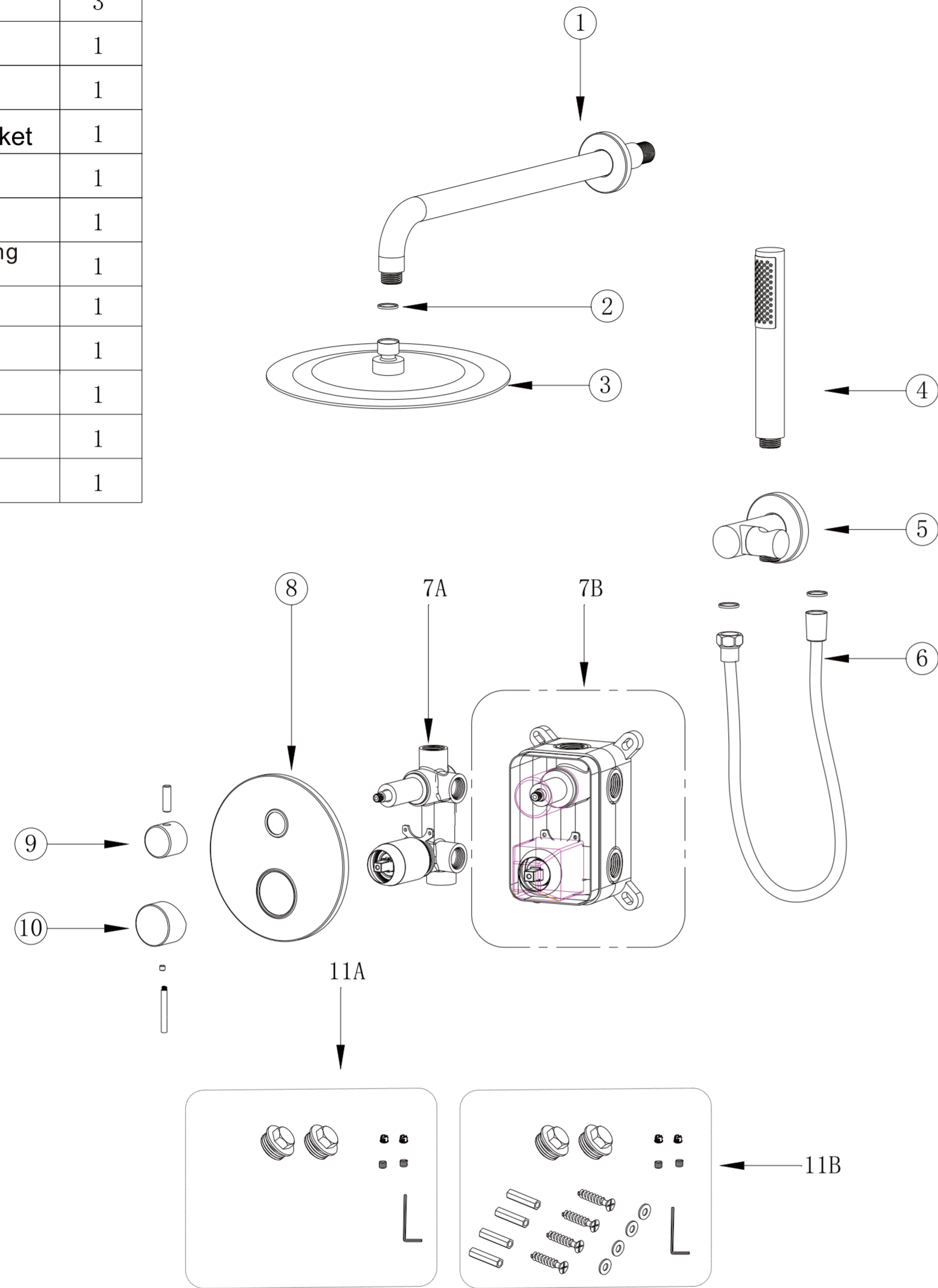


| NO. | Item                               | Qty |
|-----|------------------------------------|-----|
| 1   | Shower arm                         | 1   |
| 2   | O-ring                             | 3   |
| 3   | Shower head                        | 1   |
| 4   | Hand shower                        | 1   |
| 5   | Hand shower bracket                | 1   |
| 6   | Shower hose                        | 1   |
| 7A  | Main body                          | 1   |
| 7B  | Main body (including embedded box) | 1   |
| 8   | Trim plate                         | 1   |
| 9   | Diverter                           | 1   |
| 10  | Handle                             | 1   |
| 11A | Accessory bag                      | 1   |
| 11B | Accessory bag                      | 1   |



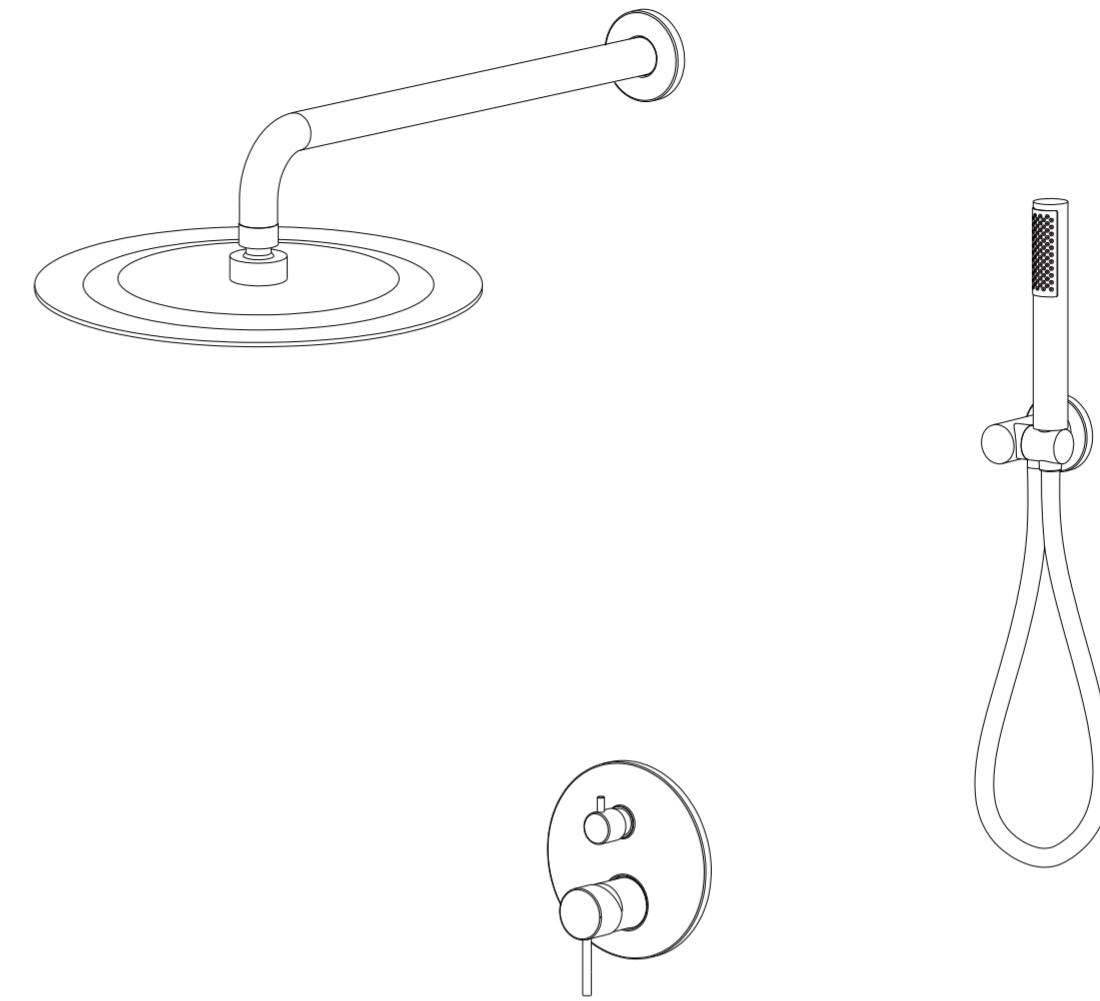
### Check accessories

#### Standard List of Accessories:

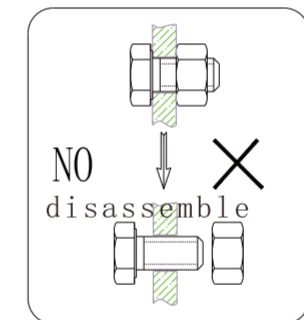
When you open the product packaging, please check whether the objects in it are consistent with the main body and accessories you purchased. If there is any inconsistency, please contact our company or our distributor.

**please feel free to contact us if you have any questions. we will help to solve the issue together with you. OUR EMAIL: xmc57@sina.com**

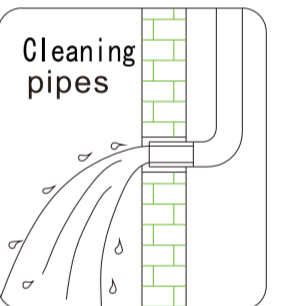
## Installation Instructions For Wall Faucet



This product has been inspected and debugged by the factory to the best condition. Please do not disassemble and assemble it yourself.



Before installing the faucet, please be sure to remove sundries and sludge from the water pipe to prevent sundries from blocking the faucet.



### Cleaning Care

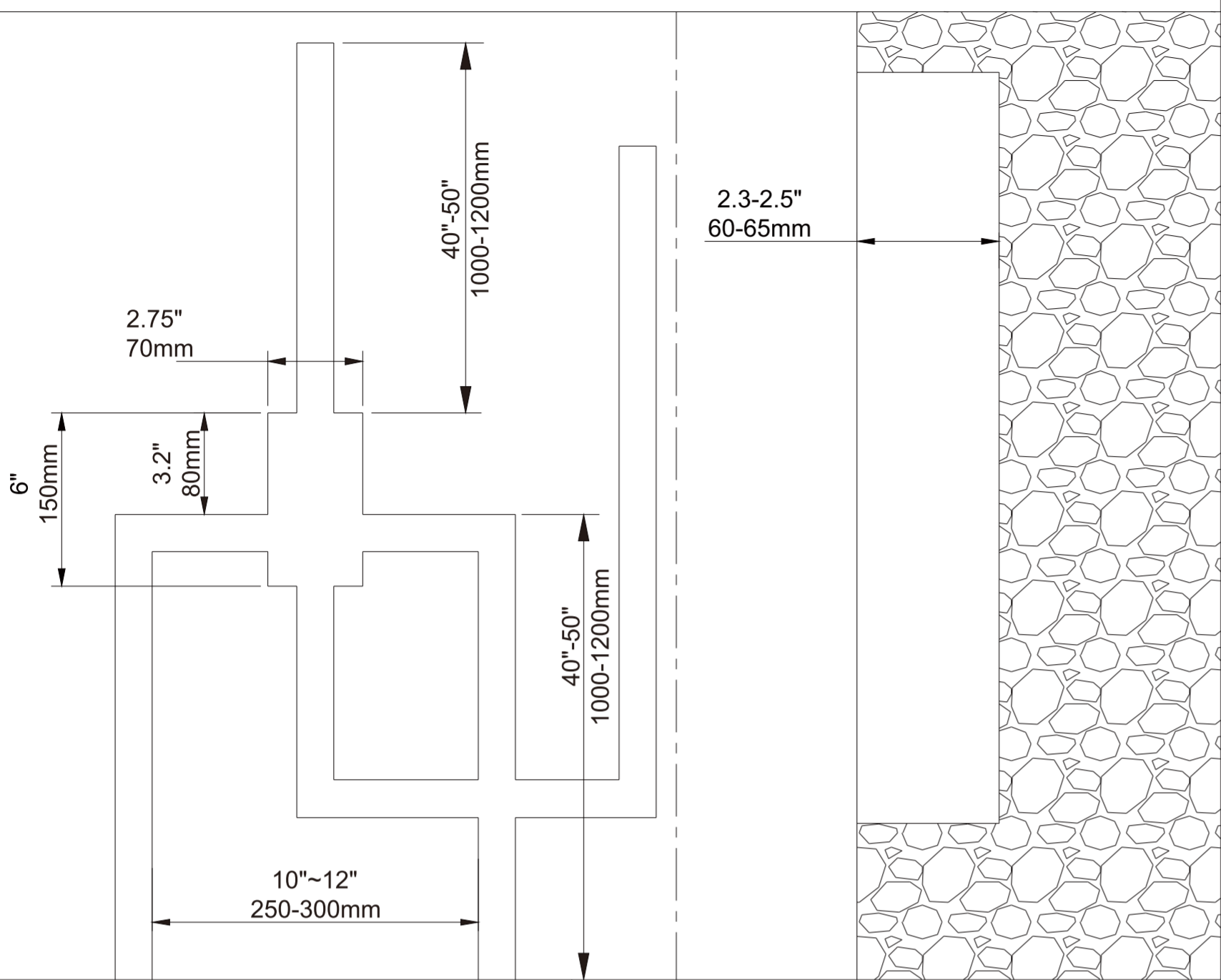
In order to keep the appearance of the faucet clean, bright and good performance, please take care of the faucet as follows:

1. Rinse with water only and dry with soft cotton cloth;
2. Use mild liquid and colorless glass cleaner to remove surface dirt and scale film, or use polish without abrasive effect;
3. Do not use abrasive detergent, polish, emery cloth, paper towel or scraper, etc.;
4. Do not use acid cleaner, or cleaner and soap with insoluble gran etc.;
5. In the process of use, mud may accumulate in the bubbler and make the water flow slow. The bubbler can be unscrewed, rinsed with water, and then installed back in place.

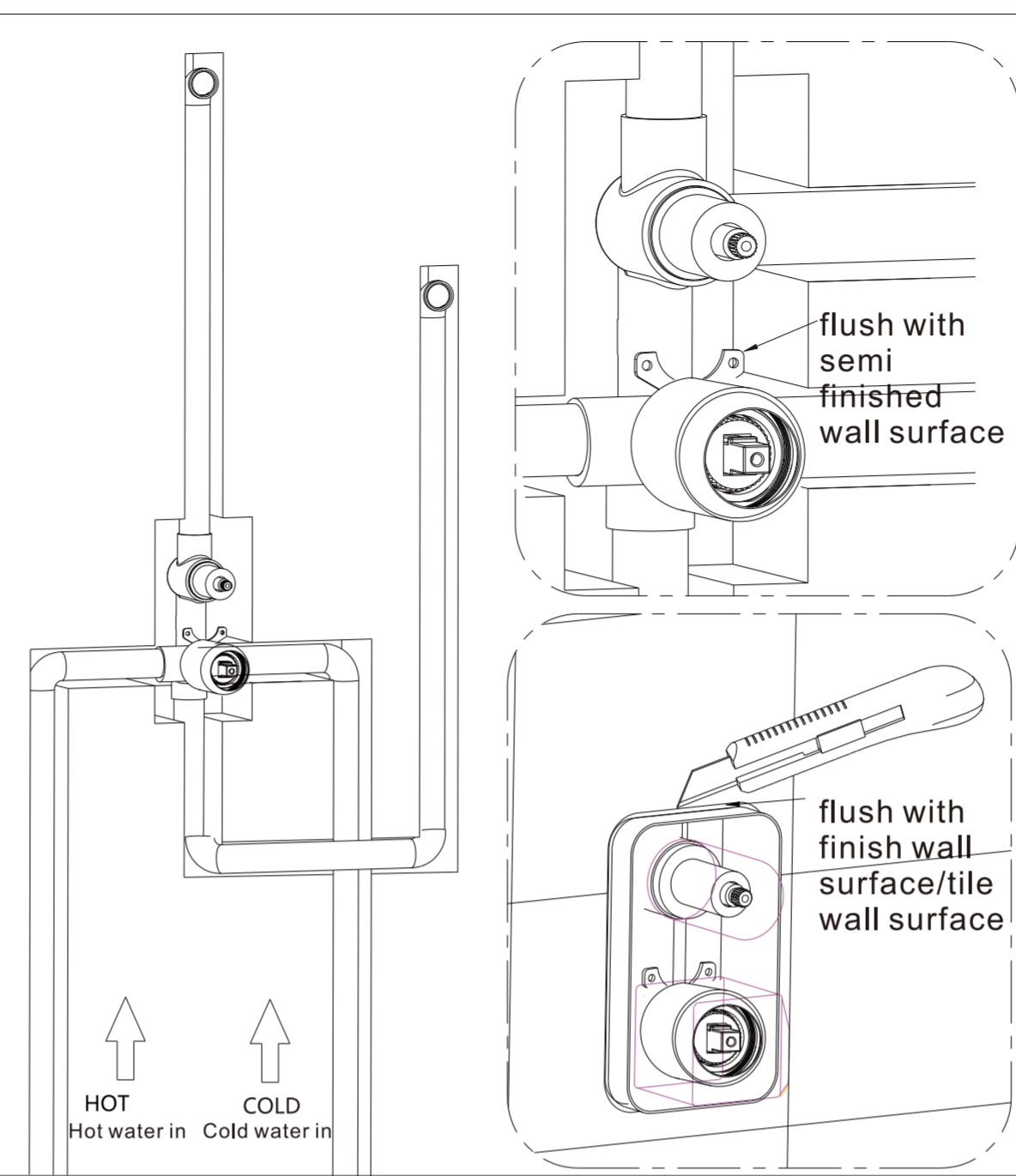


**please feel free to contact us if you have any questions. we will help to solve the issue together with you. OUR EMAIL: xmc57@sina.com**

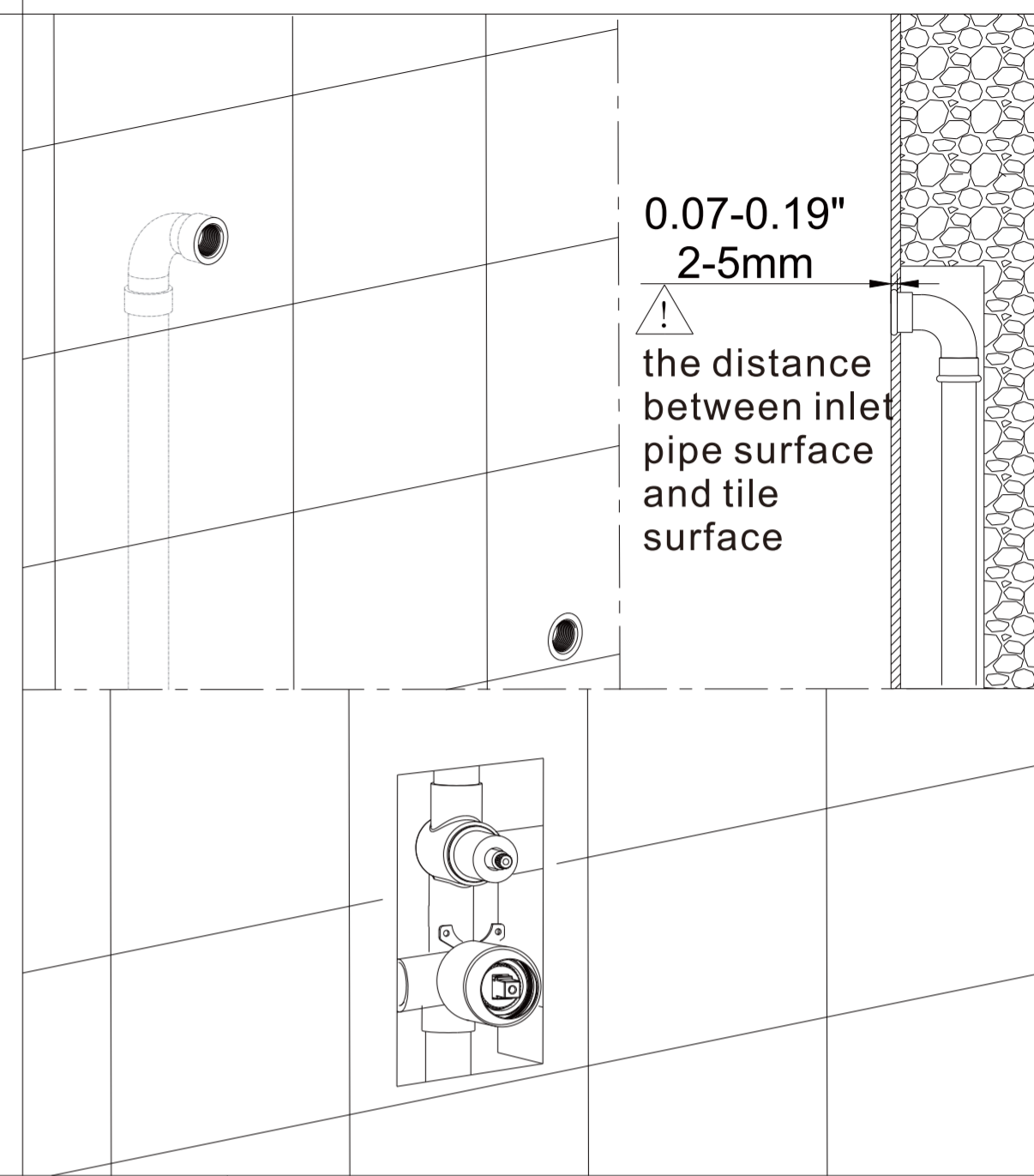
1. Dig pipe grooves for pre-burying pipes.



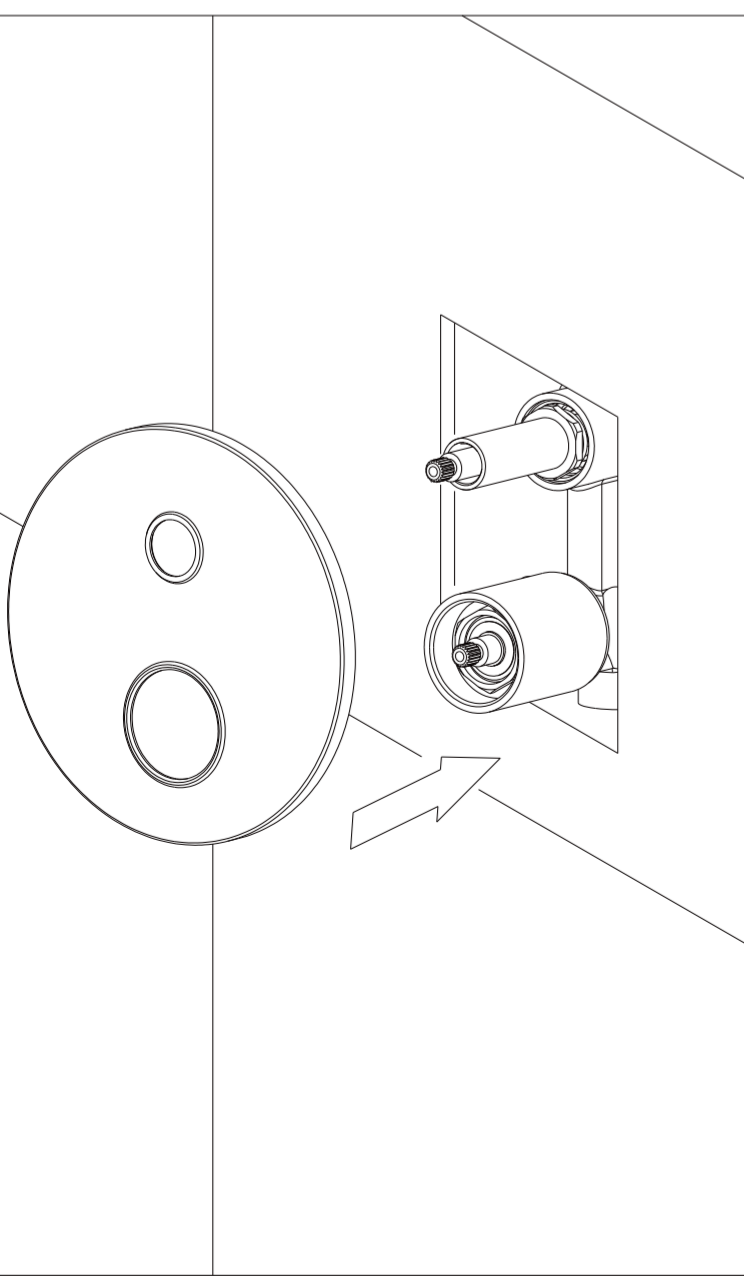
2. Install Main Body and inlet pipe.



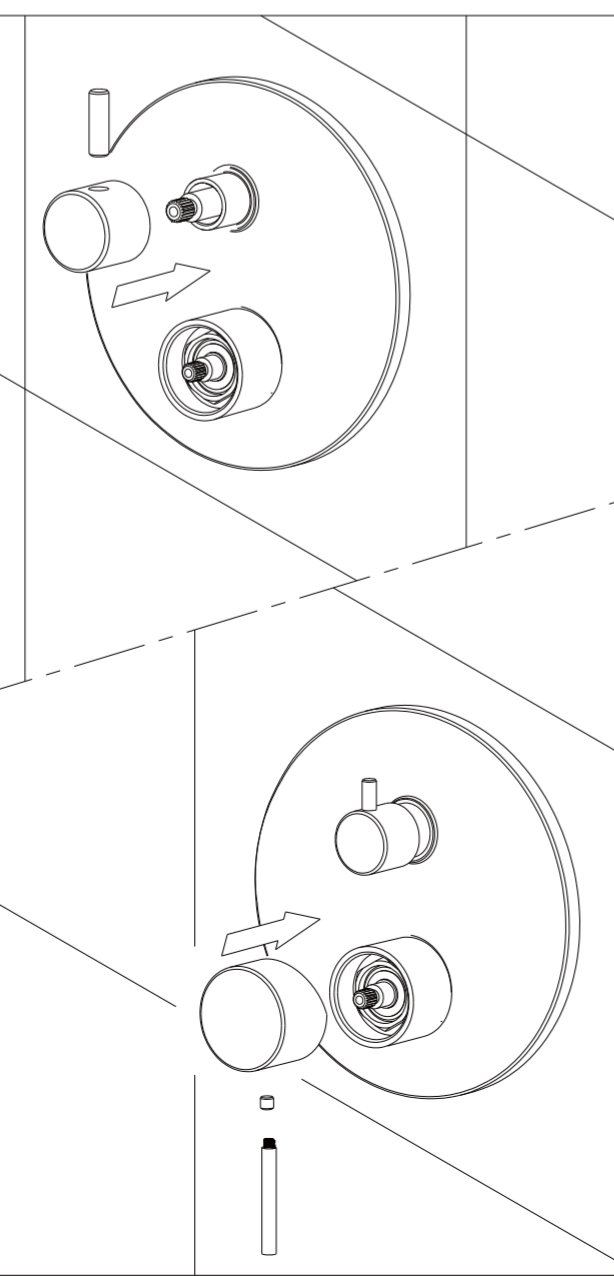
3. inlet pipe surface slightly below the tile surface.



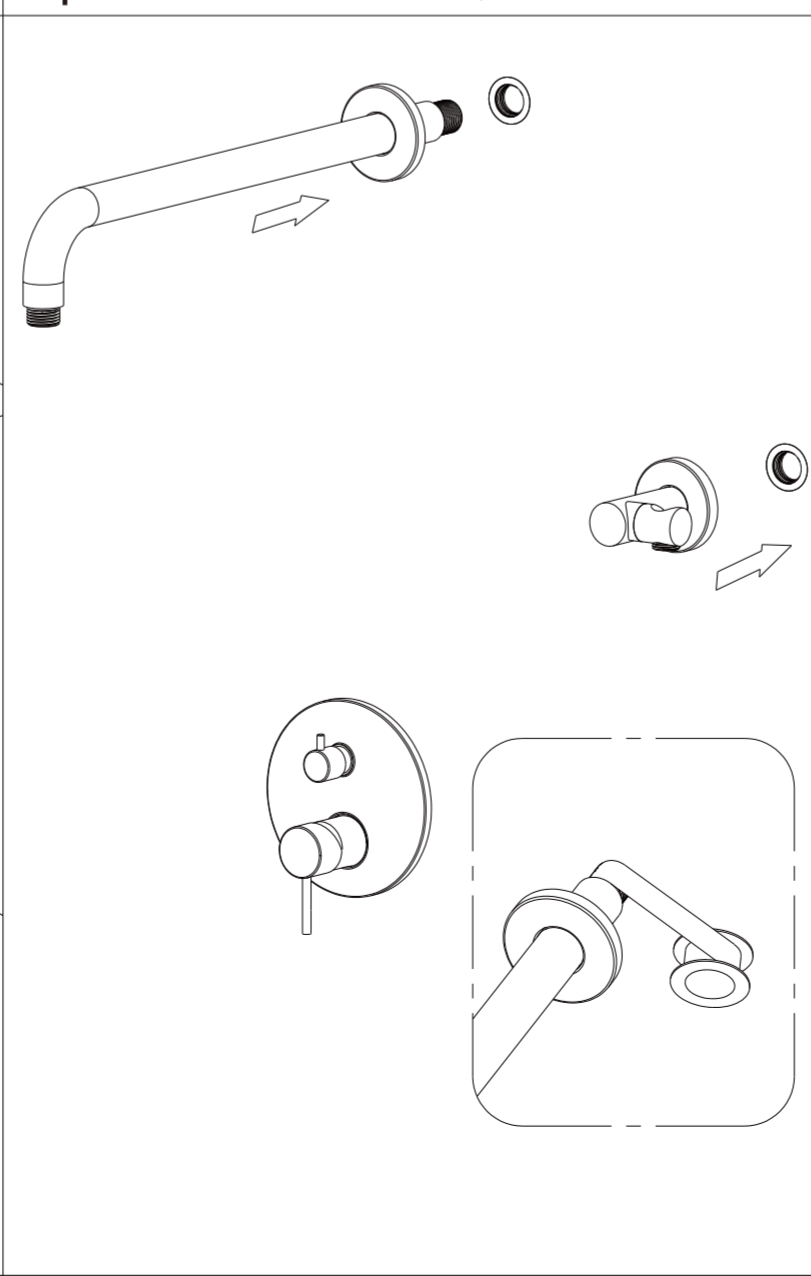
4. install the trim plate



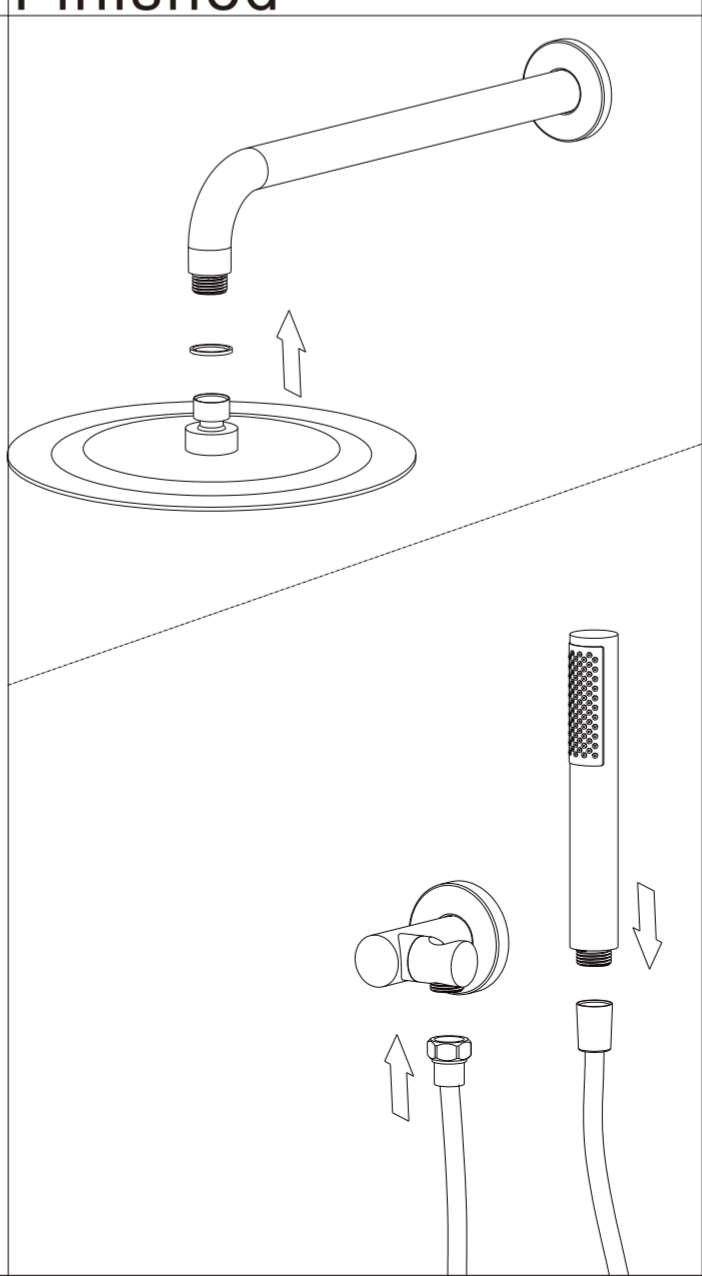
5. install diverter and handle



6. install shower arm and hand shower bracket (wrap the PTFE tape on the thread)



7. install shower head and hand shower. Finished



8. size image

