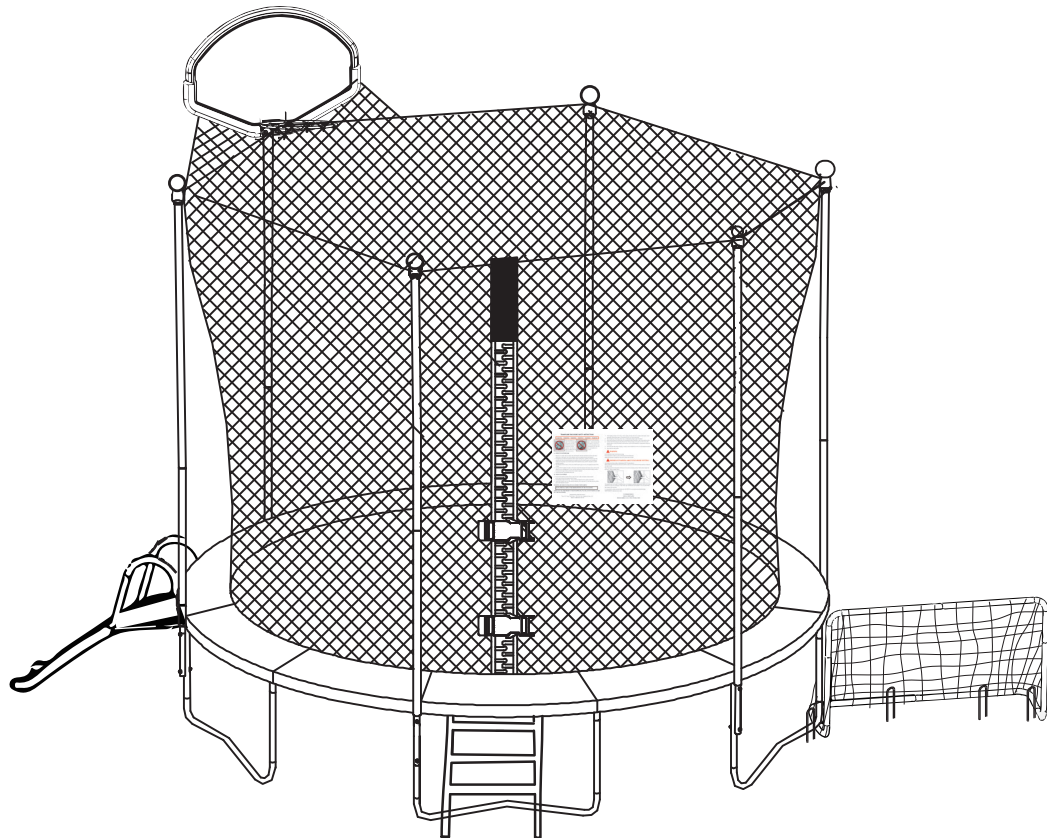


# 16FT Trampoline with Slide and football gate

Assembly instruction, installation, use, maintenance and care  
WARNING Read these materials prior to assembling and using this trampoline

## USER MANUAL



### Caution

- Don't try to somersaults or cartwheels. Falling on the head or neck can result in paralysis or even death.
- No more than one person at the same time making use of the trampoline. Multiple users can increase the risk of injury.
- Use the trampoline only under the supervision of an adult with knowledge of use. These instructions are for your safety. Please carefully read each of them before assembly and use of the trampoline. We retain this manual for future reference.
- The maximum user weight should not exceed 280lbs / 130Kg for this product.

## Caution



No flips or twists, a fall on the head or Neck can result in paralysis or even death.



Not more than one person at the same time on the trampoline ( 280lbs / 130 kg).



Do not use in case of plaster or any injury to the leg, ARM, Head, neck or back.



Do not allow the use of the trampoline for children under six (6) years of age.



Remove all sharp or Hard objects such as Jewelry, eyeglasses and / or sunglasses before jumping.


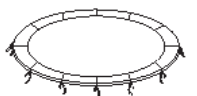
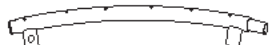
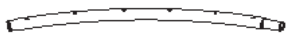

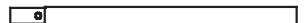



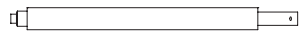
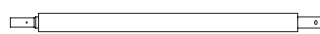
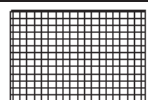


In case of pregnancy, do not use it without your doctor's consent.

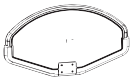

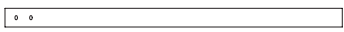
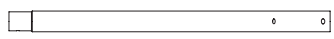
## Ladders can't be sold with trampolines

Inspection before use, check that the legs are fixed, without Springs Loose, mesh, mat and security are in place and in good condition without scratches.

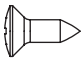


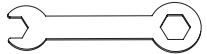


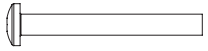

## Part List - Trampoline







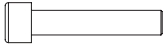
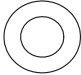

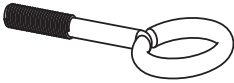

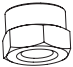

Number	Diagram	Description	Quantity
1		Trampoline Mat	1
2		Frame Pad	1
3		Top Rails with Legs	6
4		Top Rail	6
5		Base Leg	6
6A		Vertical extension leg	6
6B		Vertical extension leg (Two Holes)	6
7		Galvanized Springs 28N (5 1/2 "long)	108
9		Loading Spring Tool	1
10		Top Frame Tube(with foam)	5
11		Bottom Frame Tube(with foam)	5
12		Mesh Cover	1

## Basketball Hoop

Number	Diagram	Description	Quantity
13		Board	1
14		Ring	1
10A		Upper Board Tube (No Foam)	1
11A		Lower Board Tube (No Foam)	1

## Part list - Tools

Number	Diagram	Description	Quantity
A		Screw	13
B		Small Spring Washer	11
C		Allen Tool	1
E		Tool	1
F		Gap Spacer	5
F1		Gap Spacer	7
G		Bolt	5
P		Washer	2

G1		Bolt	2
H		Big Spring Washer	7
I		Lock Nut	9
J		Arc Washer	7
L		Rope	10
K1		Strap Circle	5
N		Round Head bolt	2
O		Washer	2
X		Ladder	1
D		Nine word hook	5
H1		Big Spring Washer	5
I1		Lock Nut	5
J1		Arc Washer	5

## Installation and Assembly instructions

This trampoline and the cover can be disassembled and stored easily by Reversing the order of the installation.

At least two people are required to assemble the trampoline and cover.

### Before Assemble

Before Assembly, please make sure you have all the parts required to assemble the product. If a part is missing, please contact our customer service agents.

## Assemble Frame of Trampoline

Before you start: check all the steps before assembling and Read All precautions before using the trampoline. It requires at least two adults to assemble the trampoline. Must use Protective Gloves to avoid injury during the Assembly

### Step 1 - Assemble Frame

Locate the following 30 pieces of Steel Tubes that will need to begin to assemble the trampoline:

- 6 - Top rail with Legs (# 3)
- 6 - Top Rails (# 4)
- 6 - Base Leg (# 5)
- 6 - Vertical extension leg(# 6A)
- 6 - Vertical extension leg with two (2) Holes (# 6B)

Note: all parts are interchangeable with the same number and orientation have no right or left.

Make sure you have a spacious, clean and dry place, suitable for the assembly of the trampoline. It is essential that the right place for this trampoline is completely flat and level. If the ground is uneven, this could cause movement in the frame and can cause stress in the united sections of the trampoline and / or can cause serious injury.

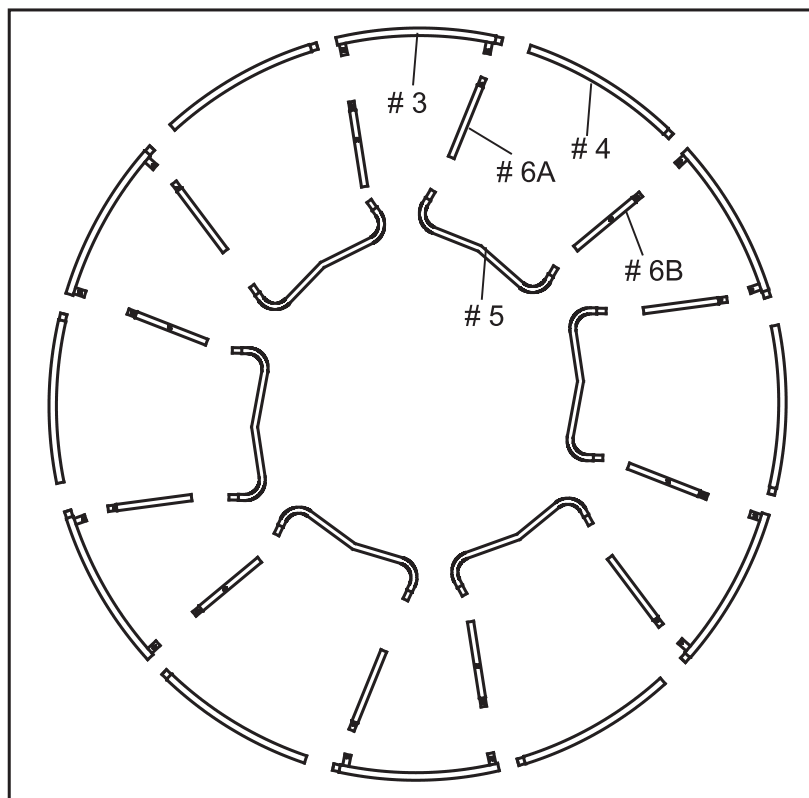


FIGURE 1

## Step 2 - Leg Support Assembly

Connect the vertical extensions leg (# 6A and #6B) to the base leg (# 5) as shown in Figure 2 (The mounted parts will be referred to hereafter as "Support Leg"). Repeat this step for all the support legs.

Note: The vertical extension leg (#6B) has two holes (2)

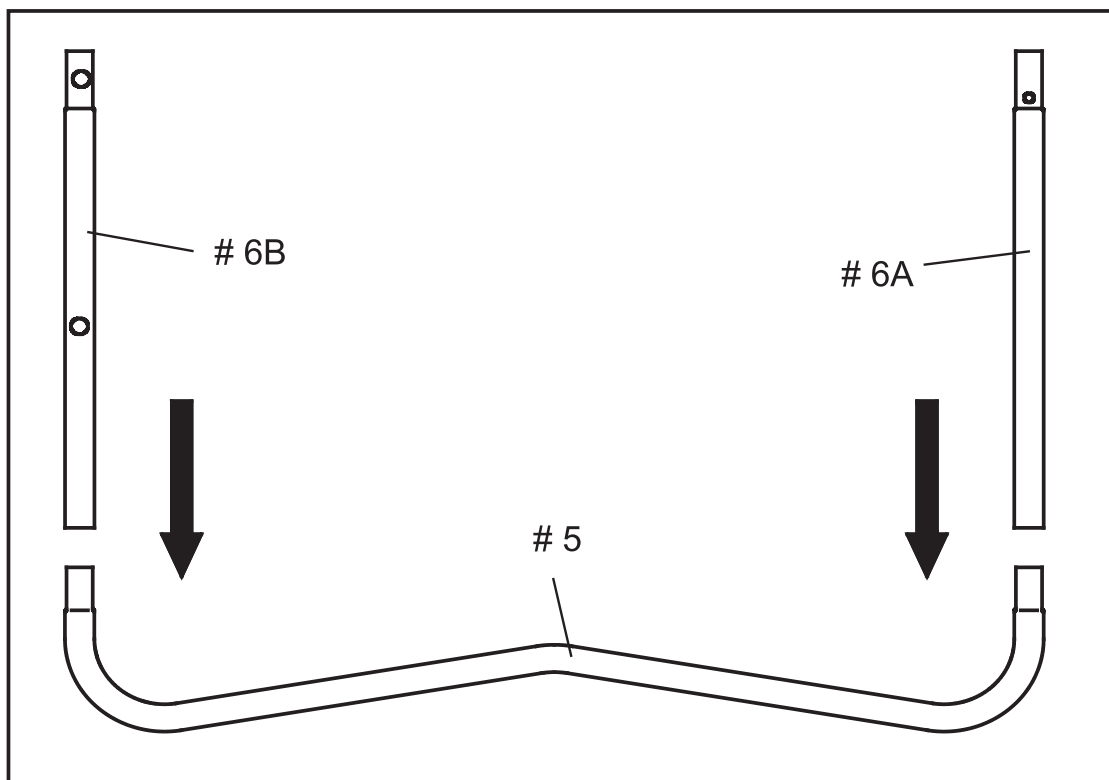


FIGURE 2

### Step 3 - Main rail Assembly with screw

At this point, two people are needed to assemble the trampoline.

Lift two sets of legs brackets mounted in STEP 2 to a vertical position (standing). Connect one end of the top rail (# 3) to the vertical extension of the leg (# 6A) and the other other end to the vertica leg extension with two holes (# 6B) as shown in Figure 3 .

Repeat the same way for all the top Rails with Legs

Tip: Make sure that the holes in all parts of the steel pipe are aligned out: This is important for the following installation of the net.

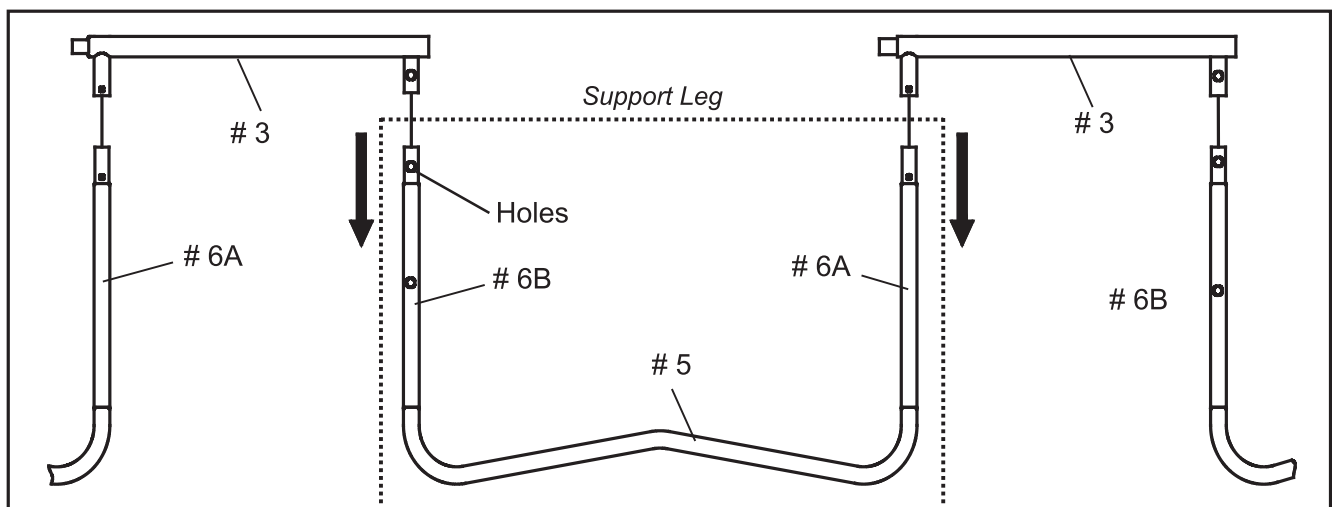
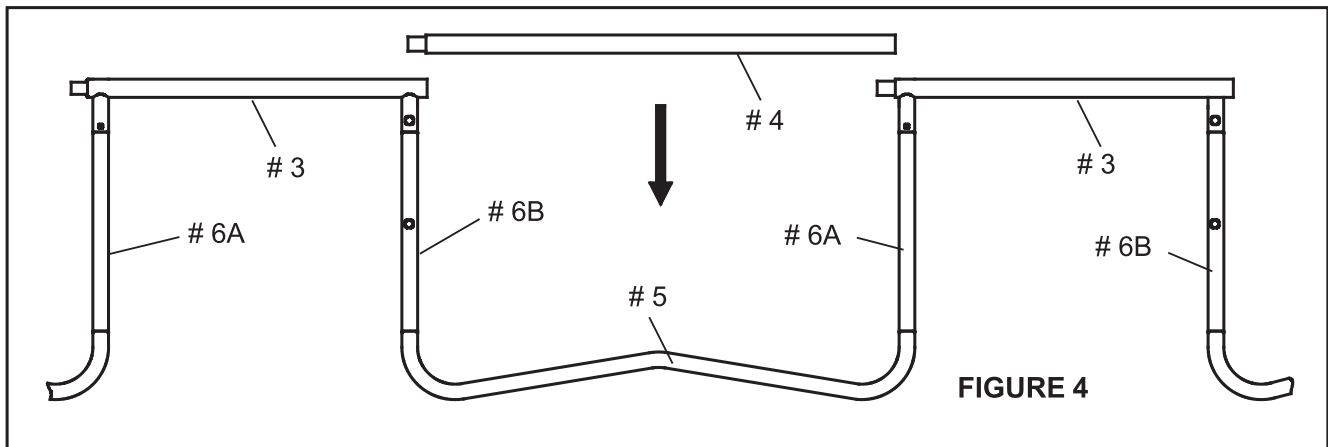


FIGURE 3



## Step 4 - Top Rail Assembly

Complete the main frame by inserting top rail (# 4) on top rail (# 3) as shown in Figure 4.



## Step 5 - Securing the support leg to the top rail.

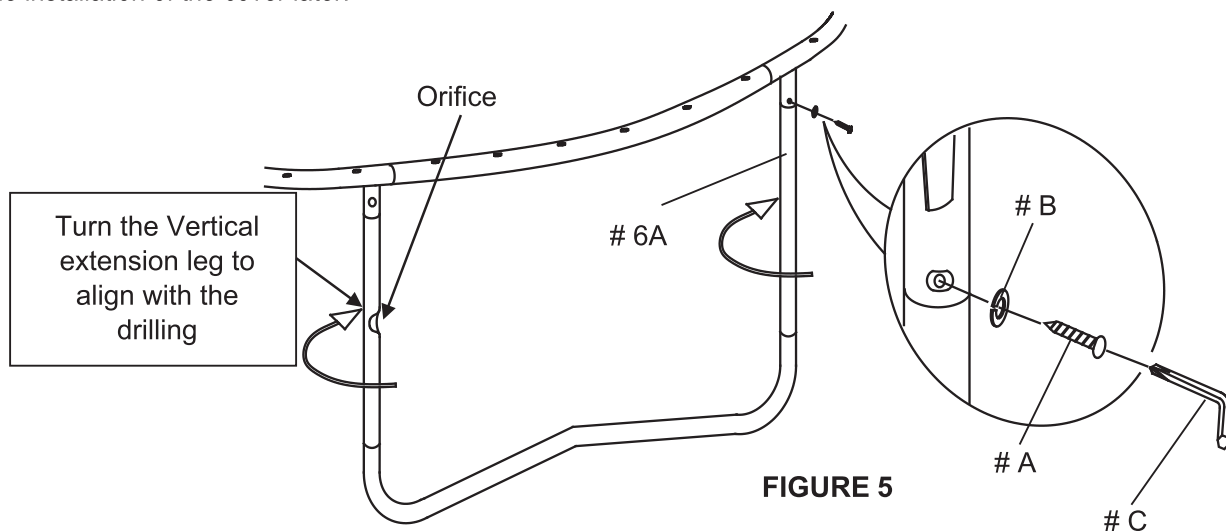
Secure one side of the support leg - Extension of vertical leg (# 6A) to the frame using the locking screw (#A), washer small security (# B) and Allen key (# C) as shown in FIGURE 5. If the holes do not match, turn the extension of the Vertical leg back and forth to align the holes. Repeat the same way for all the leg holders.

NOTE:

The holes on the other side of the support leg will be used later, when installing the cover net - after all the springs (# 7) have been installed (steps 7 - 10).

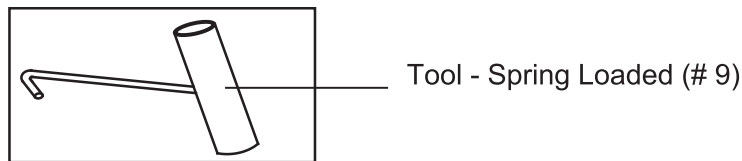
Do not overtighten the screws in this moment, screws should be tightened until the end

Tip: make sure that the holes in all the pieces of Steel Pipe Line and the hole is outwards. This is important for the installation of the cover later.



## Assembly of the trampoline Mat

To assemble the trampoline Mat, only need the Spring Loading Tool (# 9) included in this product.



### Step 6 - place the Mat

Place the trampoline Mat (#1) on the floor in the Interior of the frame assembled with the Label facing up as shown in Figure 6. Align the warning labels with any of the trampoline legs, make sure that the warning labels are up. This makes the installation process easier.

Select a starting point in the frame and name it "zero" point (pick a point that is above a frame leg and facing a warning label).

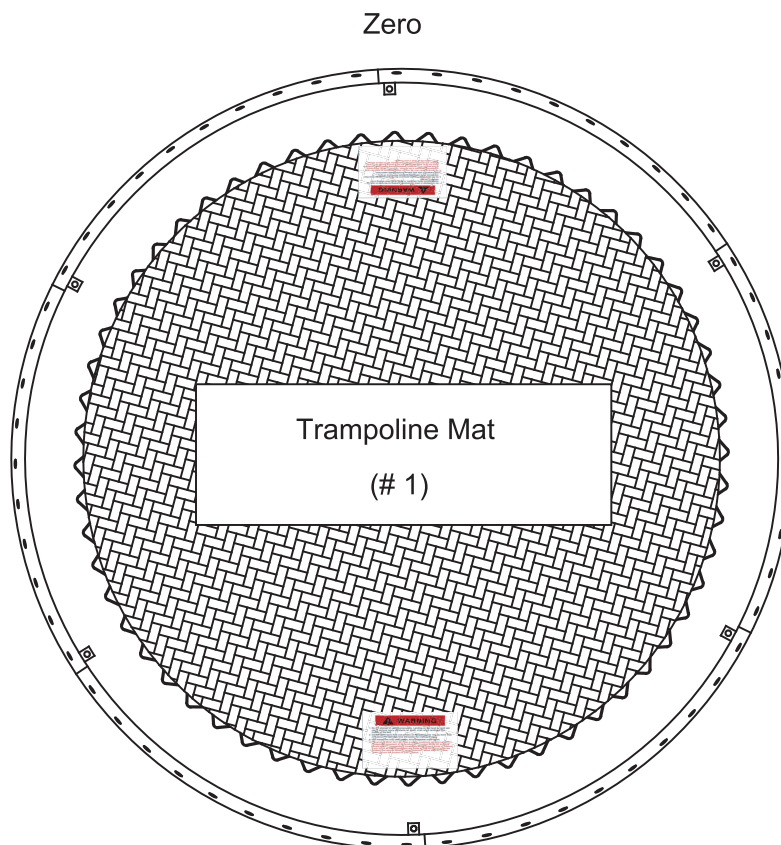


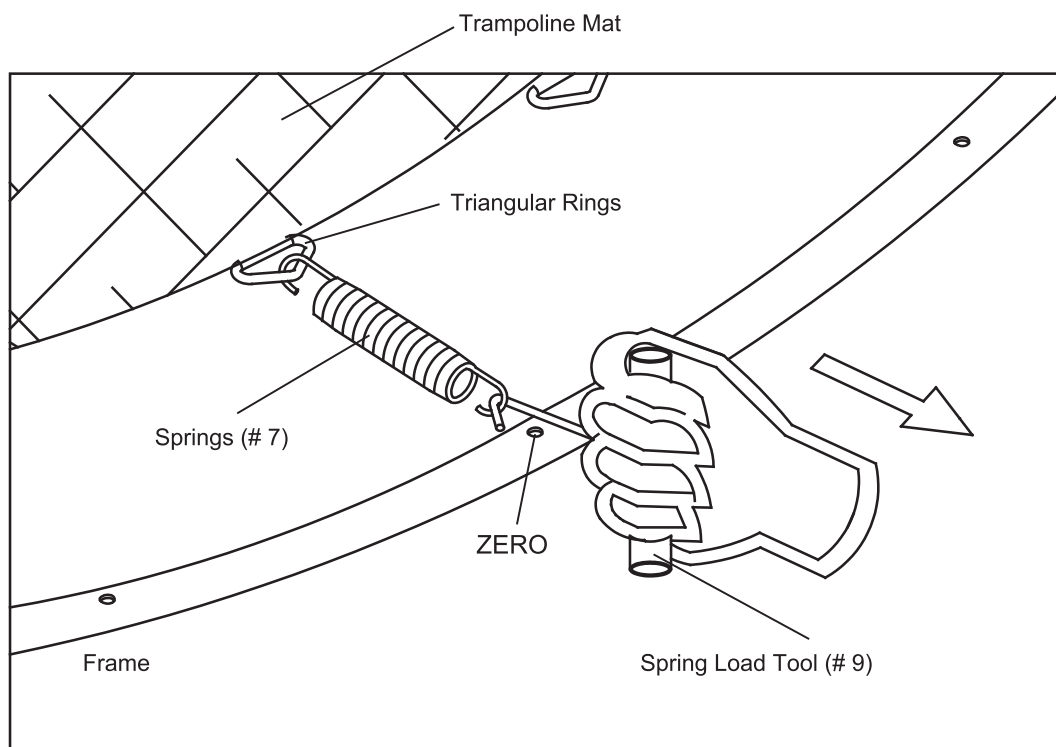
FIGURE 6

## STEP 7 - Assemble Springs

By placing the Springs, do not put hands, Arms, Legs or other body part near the connection Points (i.e., joints Connecting Steel Pipe connection points) can become pinched points when the Springs are contracted. Use Heavy Duty work gloves protect your hands from pinching by Springs and Protective Glasses to prevent Eye injury. Make sure that no children playing nearby when joining in springs.

Starting at the "Zero Point", Connect one end of the Spring (# 7) with the spring load tool (# 9) in the triangular ring and pull the other end securing it in the hole of the main frame, as shown in Figure 7.

Tap the end of the spring (# 7) with the handle of the spring load tool to ensure that the springs are securely locked into the hole.



**FIGURE 7**

## Step 8 - Assemble Springs

After having secured the spring in the "Zero Point", Count to 54 holes on the opposite side of the frame and put a Spring in the same way as in the previous step. For a uniform distribution of the spring tension and ease of installation, the springs must always be installed at opposite sides of the main frame of an Alternating Way, i.e., Zero after 54, followed by 27 and 81 as shown in Figure 9.

Tip: the number of triangular Rings sewn in the table is equal to the number of holes in the main frame. Note that if you miscounted a triangular hole or ring, remove and reinstall the Springs in the necessary Place, maintaining a uniform distribution of tension as detailed above.

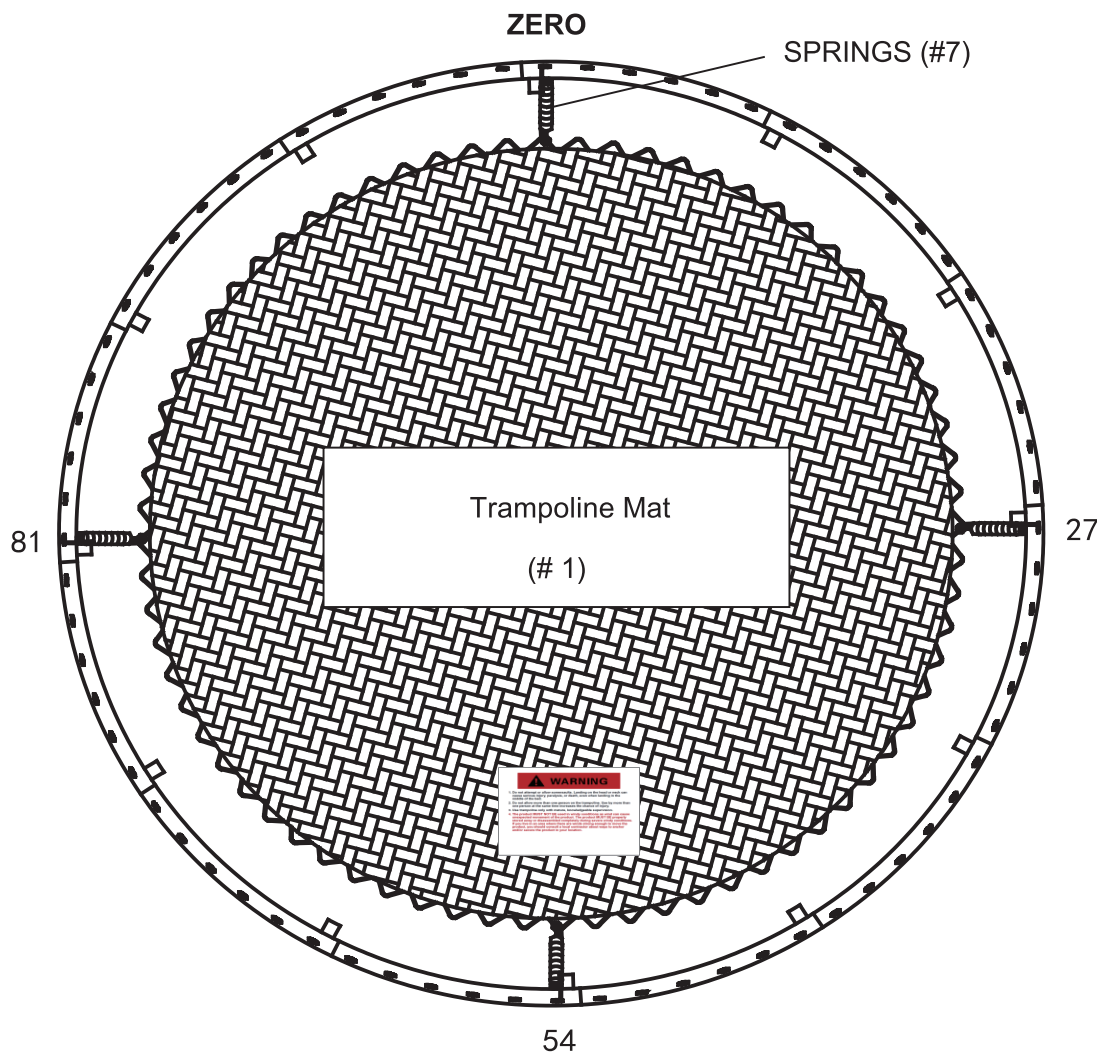
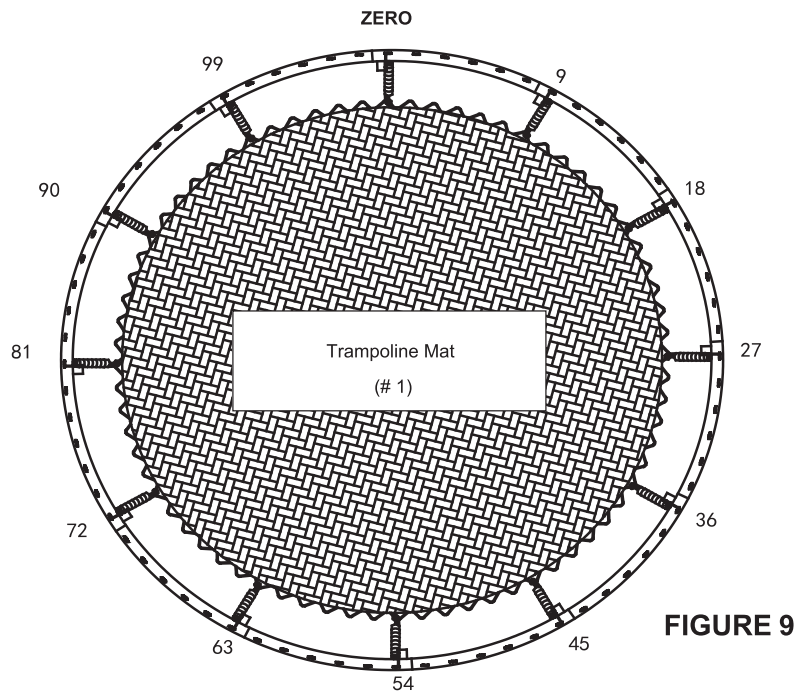


FIGURE 8

## Step 9 - Assemble Springs

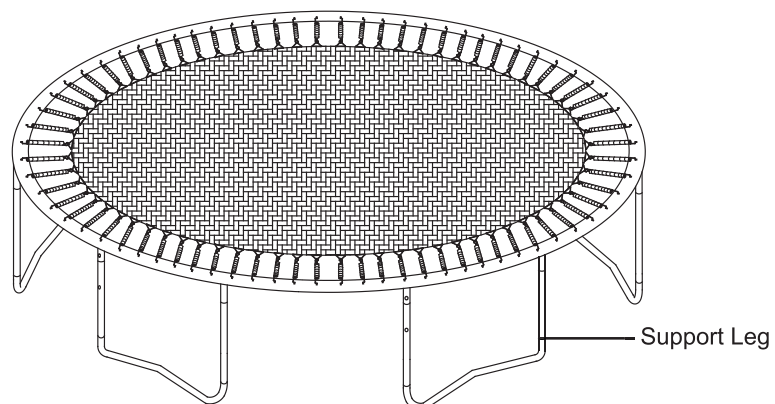
Place a spring each interval of the sixth hole. For a uniform distribution of tension and ease of assembly, the springs should be placed on opposite sides of the main frame. Alternatively, IE 9 after 36 and 63, 90, etc. besides the Springs above should now have Springs at 9, 18, 27, 36, 45, 54, 63 and 72, as shown in Figure 9.



## Step 10

Continue placing the remaining 90 springs in the same manner as in the previous step. The springs shall be placed on opposite sides of each one to make sure that the trampoline Mat is taut perfectly.

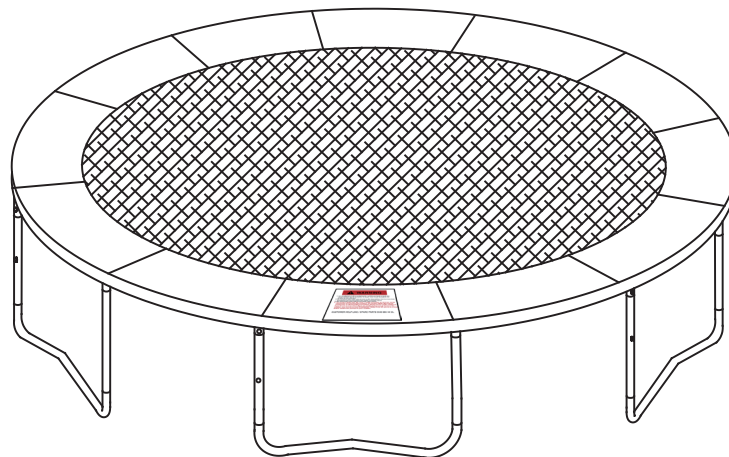
**IMPORTANT:** you must make sure the springs are perfectly placed and return to step 5 and tighten the screws of the support legs



## Assemble Frame Pad

Never use the trampoline without the frame pad, the pad frame reduces the risk of injury by striking the metal structure. Inspect the cushion frame and metal parts are completely covered by the frame pad before each use.

Note: Please ensure that the warning label is placed between the support leg main frame, as shown below: This is to ensure that the label is in front of the entrance trampoline



## Step 11

Place the Frame Pad (#2) on the trampoline and fully cover the springs and steel frame. Align the straps to leg sockets and wrap the elastic straps to the connectors of the legs. First, tie a knot and then tie in a bow on one side, as shown in Figure 11. Repeat this step for all the outer bands.

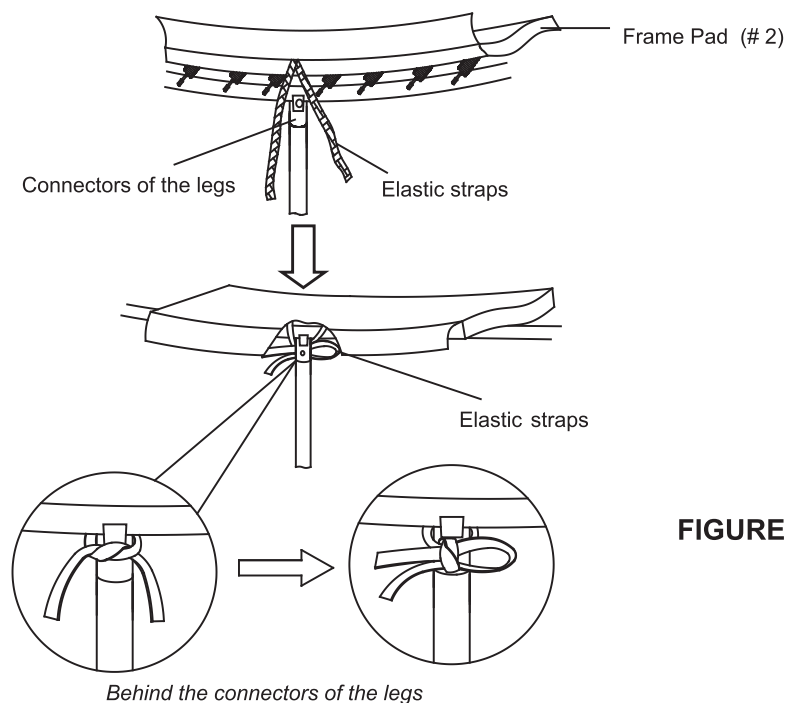
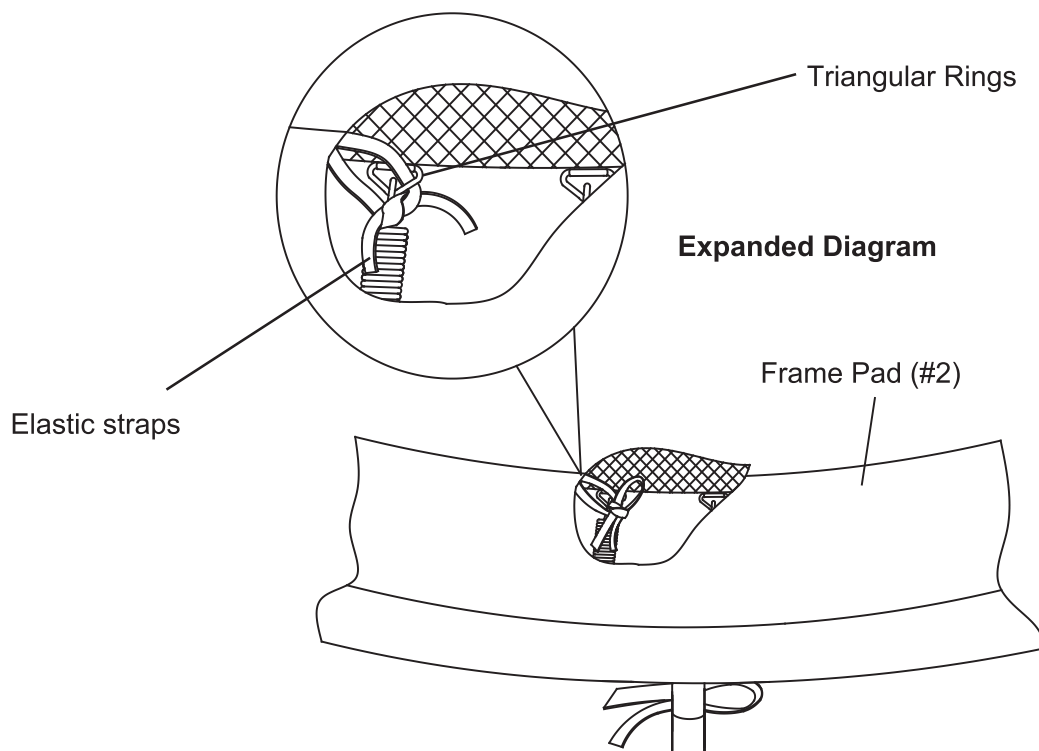


FIGURE 11

## Step 12

Finally, wrap the internal elastic straps around triangular ring and tie a knot as shown in the diagram, then tie in a bow on one side as shown in Figure 12. Repeat this step for all inner bands.



**FIGURE 12**

Make sure the knots and ties are tight for all elastic straps

Make sure the pad frame is securely installed in the frame and completely covers the frame and all springs before using the trampoline. Do not use the trampoline if a triangular ring fails or is damaged.

Conduct a full Inspection of the trampoline to ensure that all parties are properly assembled.

Read This Manual and make sure you fully understand all warnings in the various Warning signals.

### *Disassembly of Trampoline*

If you have to disassemble the trampoline please follow the assembly instructions in the opposite direction and take special care to keep the parts. Keep the original packaging for transport.

## Assembly of the Trampoline Mesh Cover

### Before you start:

This trampoline should only be used when the network is assembled correctly. The net of the trampoline must be revised thoroughly before each use to ensure that there are no breakages or damage. PLEASE READ CAREFULLY ALL the important safety instructions in this manual and all warnings on the product before use

### Step 13

Place bottom frame tube (with foam) (# 11) next to the support leg(i.e., the side with the 2 Holes) and secure it with the screw bolt (#G) , gap spacer (#F), arc wahser (#J) , big spring wahser (#H) and Lock Nut(#I) as shown in Figure 13.

Repeat this step for the rest 4 bottom frame tubes(with foam)

Place lower board tube ( # 11 ) next to the last support leg and secure it with the screw bolt ( # D ) , gap spacer ( #F1), arc wahser ( #J1), big spring wahser ( #H1)and Lock Nut( #I1)

### Enclosure Net Tubes Assembly Diagram

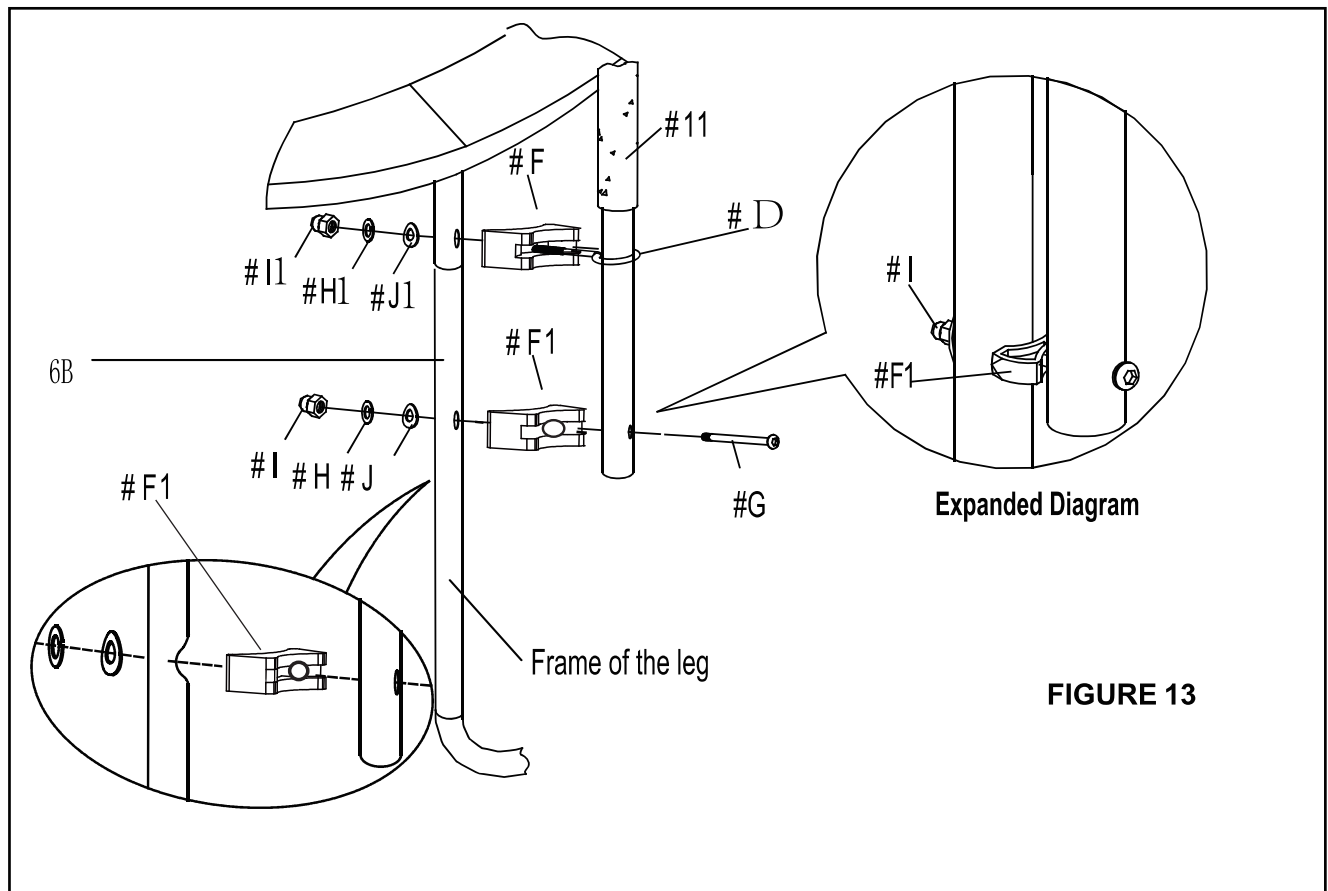


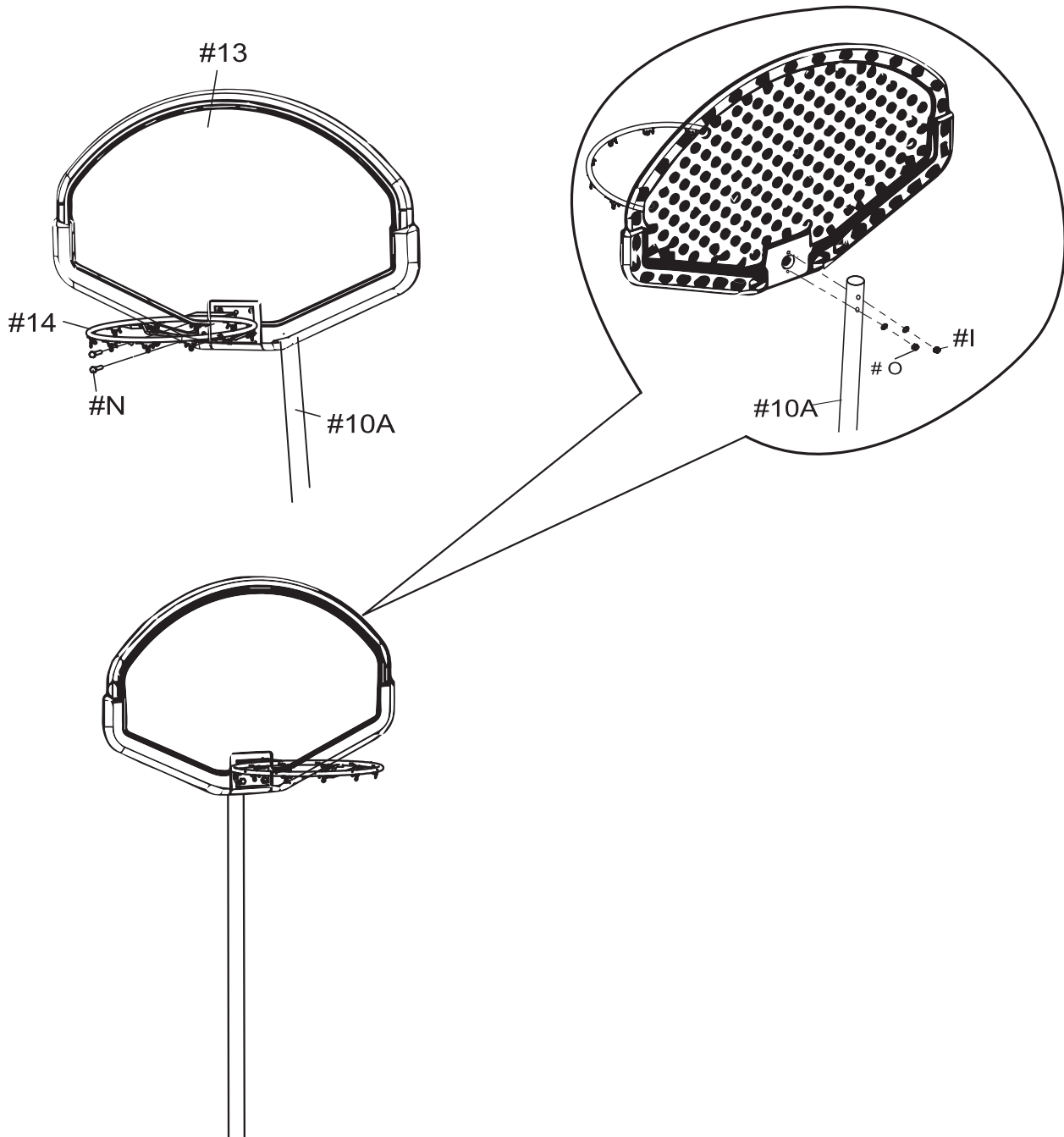
FIGURE 13

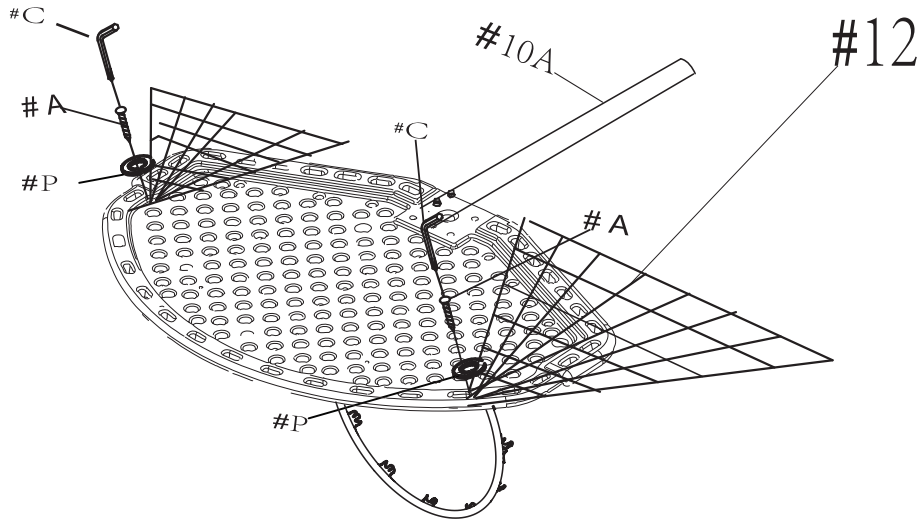


## Step 14

Connect Board (# 13) and Ring(#14) with the Round Head Bolt (#N) , as shown in Figure 14.  
secure Round Head bolt (#N) with Wahser(#O) and Luck Nut (#I). Cover the Upper Tube(#10A).

Place lower board tube ( # 11A) next to the last support leg and secure it with the screw bolt (#G1) , gap spacer (#F), arc wahser (#J) , big spring wahser (#H) and Lock Nut(#I)





After assembling the board, fix the 2 Triangular basketball stop net to the board with screw (#A) and washer (#P)

FIGURE 14-1

### Backboard Tube Assembly Diagram

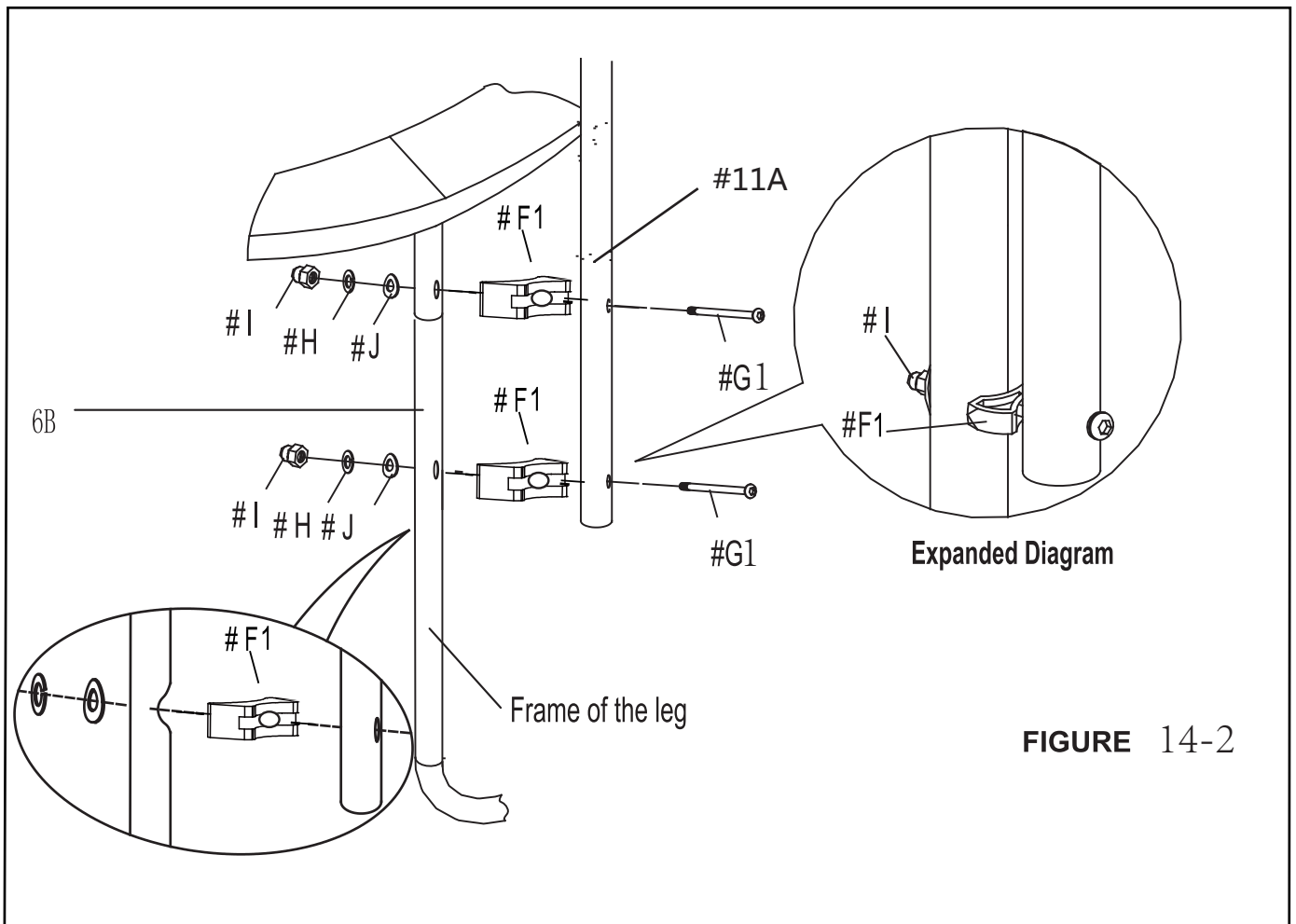
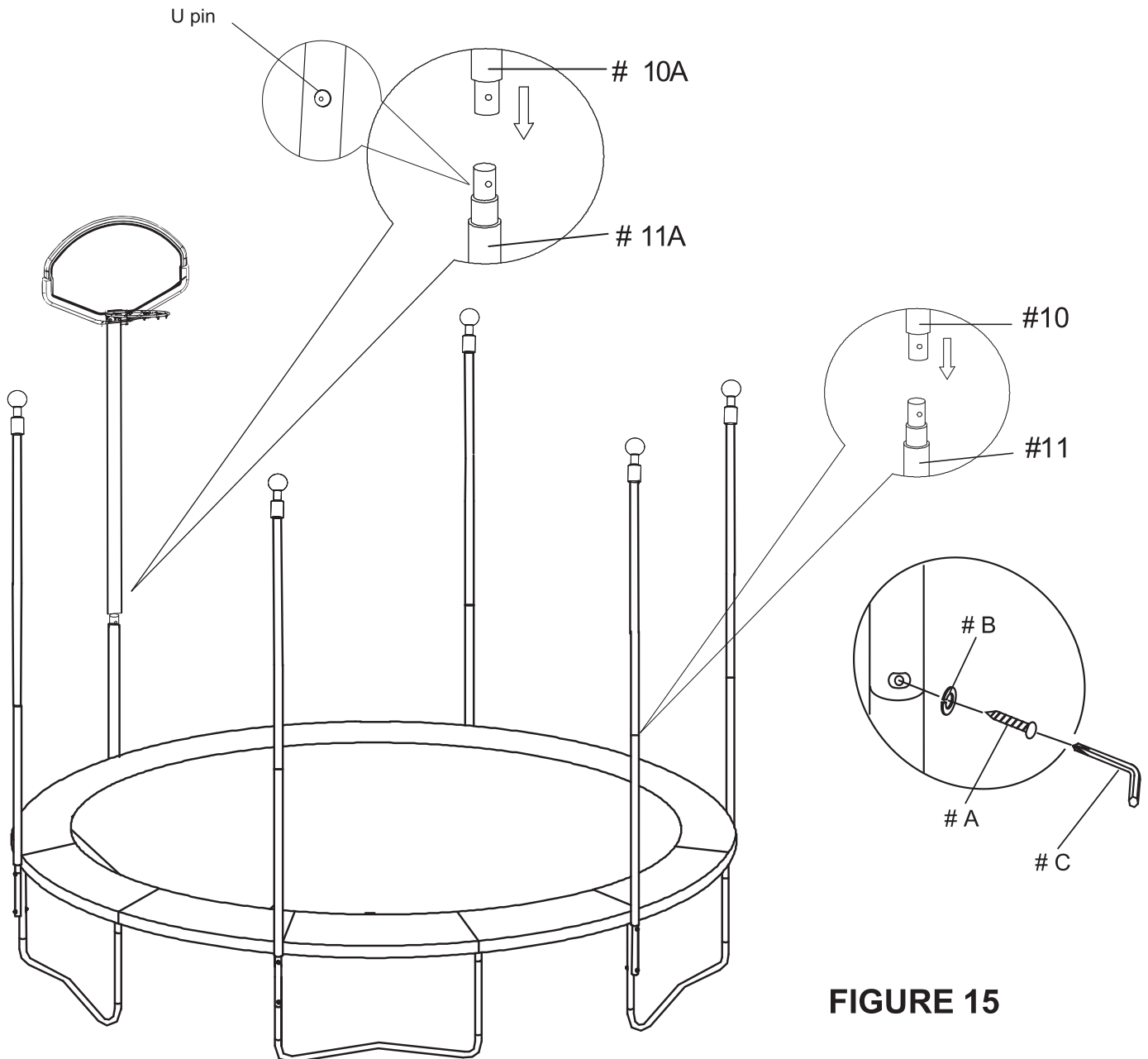


FIGURE 14-2

## Step 15

Connect Upper Board Tube (#10A) and Lower Board Tube (#11A) with "U" pin, Make sure the Basketball Board faces inward the trampoline.

Connect Top Frame Tube (#10) and Bottom Frame Tube (#11) with screw (#A), Small Spring Wahser (#B) and Allen tool (#C),



**FIGURE 15**

Connect Top Frame Tube (#10) and Bottom Frame Tube (#11) with screw (#A), Small Spring Wahser (#B) and Allen tool (#C)

Install the strap circle to the top of the frame (# K1) as shown and then tie the other end of the strap to the top(# K1). Please make sure the door is closing at the zero point

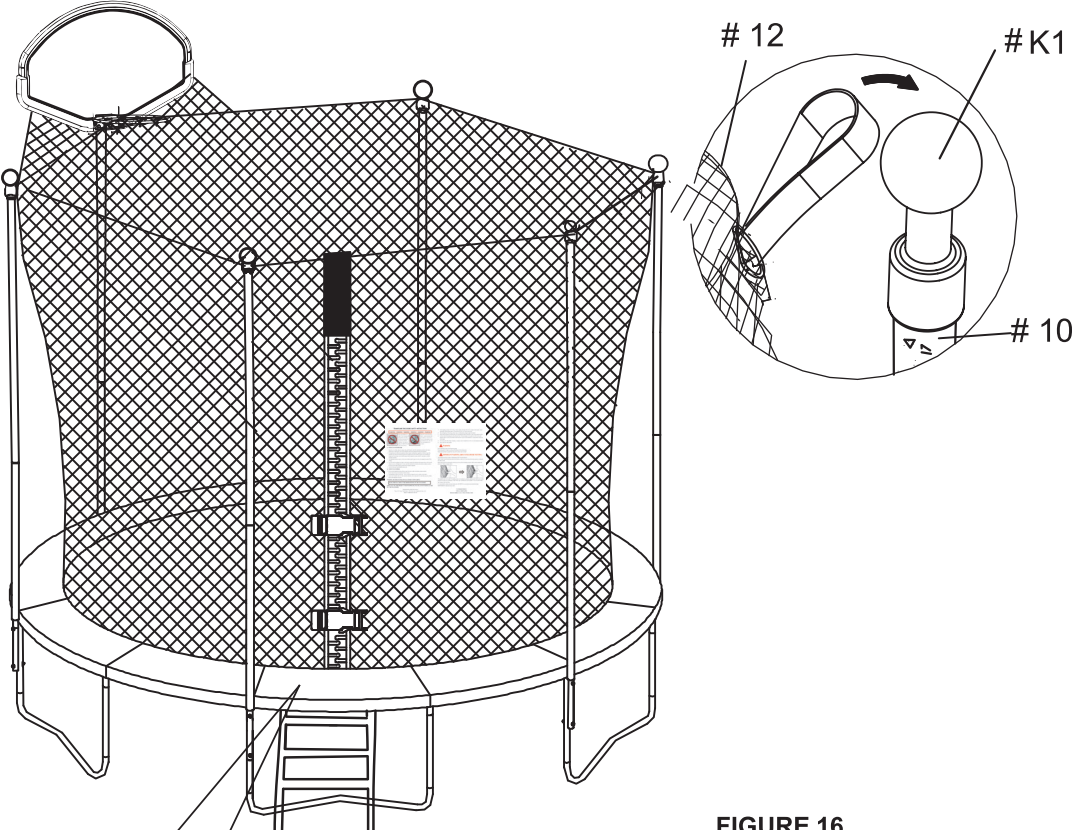
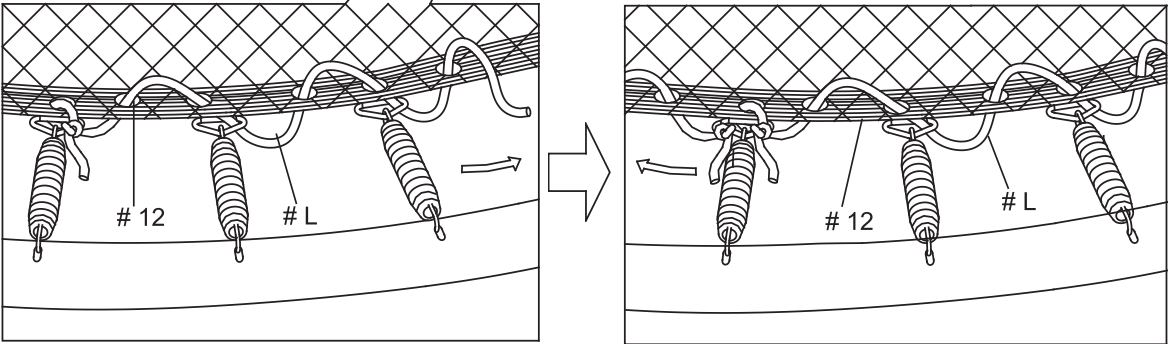


FIGURE 16

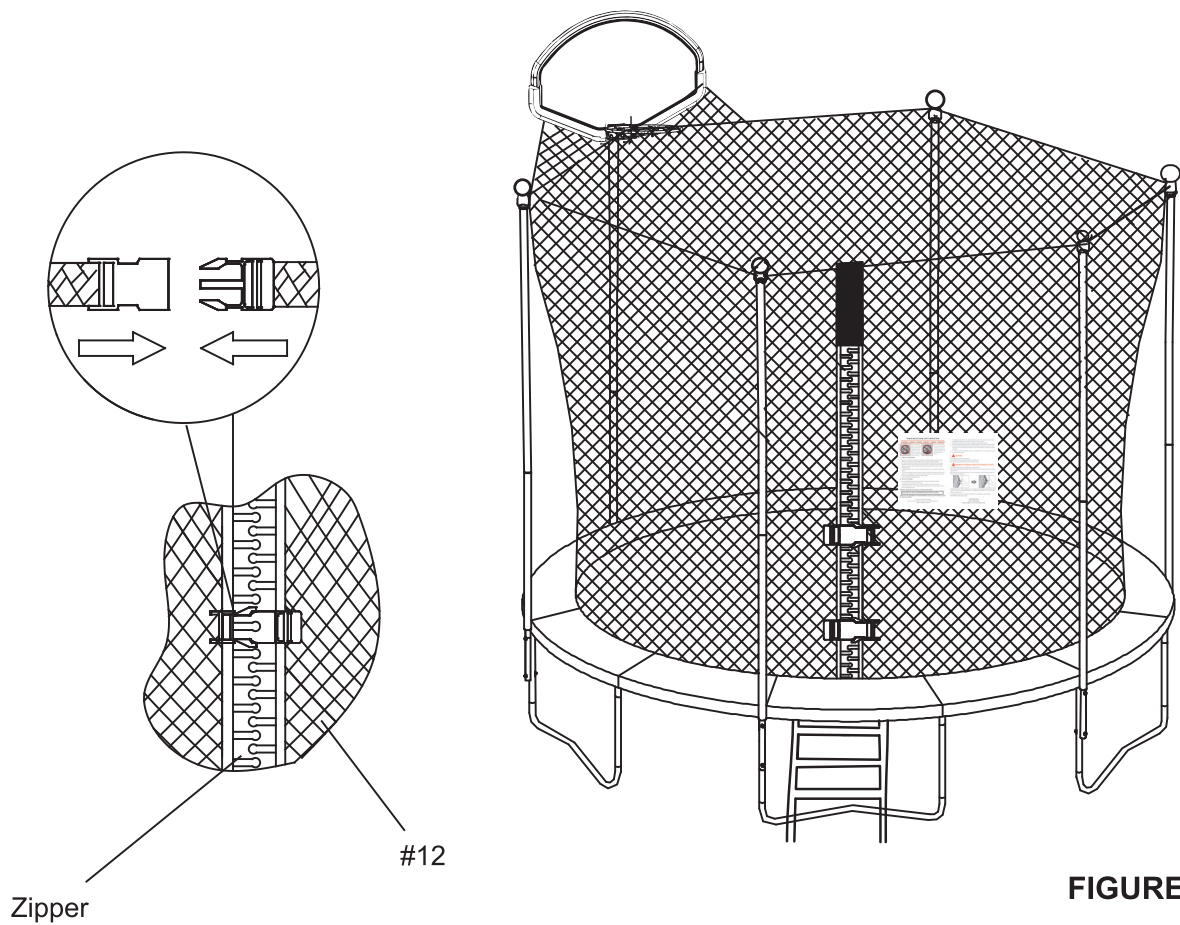


## Step 16

Tie the end of the cable (# L) to the first ring of the trampoline, pull cord (# L) through all the rings on the trampoline frame, then tie the two ends of the rope together.

## Step 17

Pull the trampoline enclosure (# 12) to the door, then press two buckles as (the bottom of the buckle not shown) shown in FIGURE 17.



Make sure the trampoline is on a flat, level surface with adequate safety distances in case you need to move from place to place. If you have to remove the trampoline please follow the assembly instructions in reverse and take special care to keep the parts. Keep the original packaging for transport.

# TRAMPOLINE AND ENCLOSURE CARE AND MAINTENANCE

To avoid damage to the trampoline and enclosure, do not allow pets or animals inside the enclosure.

The trampoline is intended to be used by one person at a time who weighs not more than 330 pounds. The user should be either barefoot, wearing socks, or wearing gymnastic shoes. Street shoes or tennis shoes should not be worn on the trampoline. The user should remove all sharp objects from his or her person that may cause injury or damage to the mat. Heavy, sharp, or pointed hard objects should never touch the mat.

Continued exposure over a long period of time to the sun, especially to ultraviolet rays, will shorten the life of the enclosure fabric. For longer fabric life, store the enclosure when it is not being used. A dry enclosure, properly stored, will provide the longest life of the fabric, sewing, and hardware. Remove the enclosure from the trampoline during harsh weather conditions or during long periods of non-use.

## MAINTENANCE

Your trampoline was manufactured using quality materials and crafted to provide you and your family with many years of enjoyment and exercise. Proper maintenance and care will help to prolong the life of the trampoline and reduce the possibility of injury. The following guidelines should always be followed.

Inspect the trampoline enclosure before each use, and replace any worn, defective, or missing parts. The following conditions could represent potential hazards and increase the danger of personal injury:

- missing, improperly positioned, or insecurely attached frame padding, netting, enclosure tubes, or foam sleeves
- punctures, frays, tears, or holes worn in the mat, frame padding, netting or foam sleeves
- deterioration in the stitching or fabric of the mat, frame padding or netting
- ruptured or missing springs
- bent or broken frame, leg or enclosure tubes
- sagging bed or netting
- sharp protrusions on the frame, suspension system or enclosure tubes

If any of these conditions exist, the trampoline and/or enclosure should be disassembled (taken apart) or otherwise protected from being used until the condition is fixed.

## SPECIAL CONSIDERATIONS

### High Wind

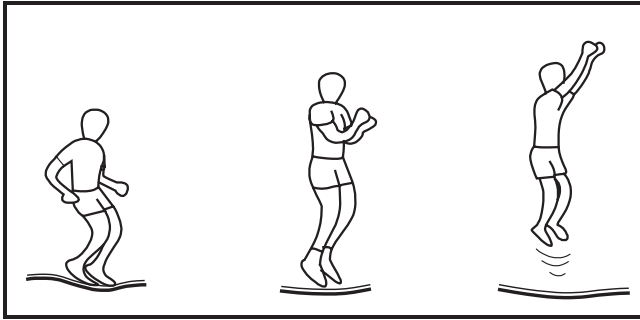
It is possible for the trampoline and enclosure to be blown about by high winds. If you expect high winds, move the trampoline and enclosure to a sheltered location. Disassemble (take down) the enclosure netting. Tie the trampoline frame down to the ground using ropes and stakes (not included). At least three ropes and three stakes should be used. Make sure to attach the ropes to the top of the trampoline frame: do not simply secure the legs or the bases to the ground as they can separate from the frame sockets. The tops of the stakes should be at ground level so that they will not create a tripping hazard. In addition, the tops of the stakes should be covered, if necessary, so that users will not be hurt by falling onto the stakes.

### Moving the Trampoline and Enclosure

If the trampoline and enclosure needs to be moved, it should be moved by two persons, kept horizontal, and lifted slightly. If necessary, the trampoline and enclosure can be taken apart for moving. To take the trampoline apart, follow the assembly steps in reverse order (see pages 13 to 20). Do not attempt to take the frame sections, legs, or bases apart before the mat and springs have been removed.

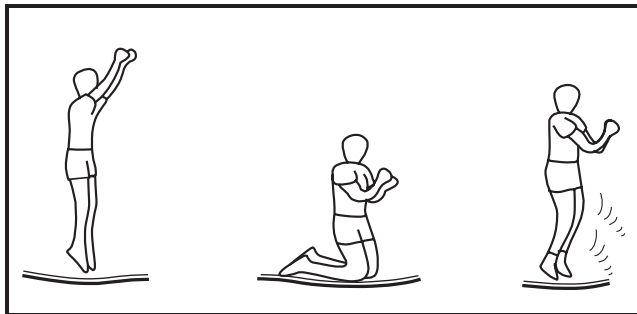
## BASIC TRAMPOLINE SKILLS

### Fundamental Bounce



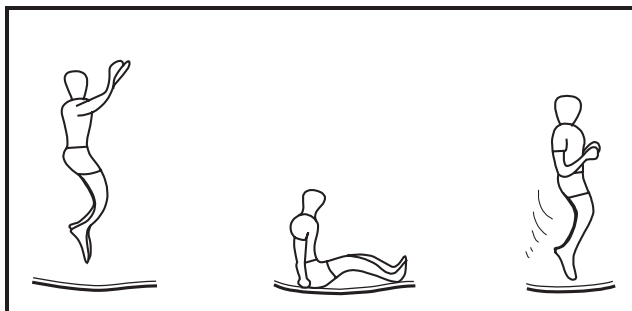
1. Start from a standing position with your head erect and your eyes on the frame pad.
2. Swing your arms forward and up in a circular motion.
3. Bring your feet together and point your toes downward while in the air.
4. Keep your feet about 15 inches apart when landing on the mat.

### Knee Drop



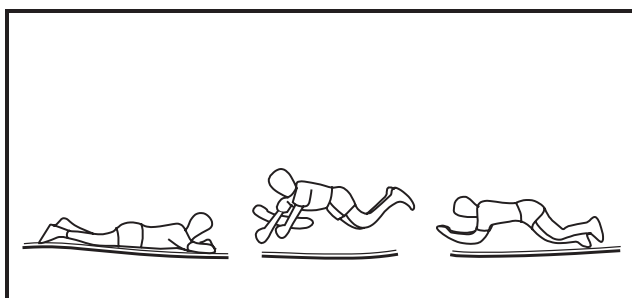
1. Start bouncing from a standing position, keeping your eyes on the frame pad.
2. Land on your knees, keeping your back straight and your body erect.
3. Come back up to an erect position.

### Seat Drop



1. Land in a sitting position with your legs parallel to the mat.
2. Place your hands on the mat beside your hips.
3. Push with your hands to return to an erect position.

### Front Drop



1. Start from a low bounce and land on the mat in a prone position.
2. Keep your head up and your arms extended forward on the mat.
3. Push with your arms to return to an erect position.

## LIMITED WARRANTY

Warranties its trampoline products to be free from defects in material and workmanship under normal use and service conditions. The steel frame is warranted for one (1) year after the date of purchase. All other parts are warranted for ninety (90) days after the date of purchase. Wind or weather damage is not warranted.

THIS WARRANTY IS VALID ONLY IN THE UNITED STATES.



## 7. Information Packet

### 7.1 Packet Marking and Contents:

7.1.1 Each trampoline shall be accompanied by a separate packet of materials, with the following notice:

Assembly, Installation, Care, Maintenance, and Use Instructions

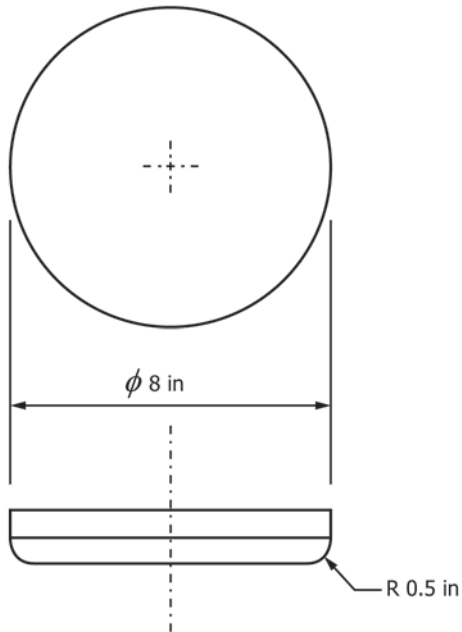


FIG. 5 Configuration of the Loading Disk

#### "WARNING

Read these materials prior to assembling and using this trampoline

7.1.1.1 This notice shall, without font or layout being implied, be well highlighted, and in enlarged boldface type in contrast to other text.

7.1.2 The packet shall contain: (1) assembly instructions, (2) care and maintenance instructions, (3) warning information, and (4) use instructions.

### 7.2 Assembly and Installation Instructions:

7.2.1 The manufacturer's assembly instructions for the trampoline shall be clearly written and presented such that the trampoline can be properly and safely assembled.

7.2.2 Where frame padding is used, the manufacturer's assembly instructions shall emphasize the importance of properly attaching the frame padding securely to the frame and in correct position prior to using the trampoline. The manufacturer shall provide a diagram illustrating the correct placement of the frame padding relative to the frame.

7.2.3 Any specific use limitations placed on the trampoline by the manufacturer shall be included in a statement appearing in a box at the bottom of the first page after the following notice:

#### " WARNING

7.2.4 Trampoline installation instructions shall be supplied by the manufacturer to aid the purchaser in proper installation and placement of the trampoline. The installation instructions shall include the following information:

7.2.4.1 Adequate overhead clearance is essential. A minimum of 24 ft from ground level is recommended. Provide clearance for wires, tree limbs, and other possible hazards.

7.2.4.2 Lateral clearance is essential. Place the trampoline away from walls, structures, fences, and other play areas. Maintain a clear space on all sides of the trampoline.

7.2.4.3 Place the trampoline on a level surface before use.

7.2.4.4 Use the trampoline in a well-lit area. Artificial illumination may be required for indoor or shady areas.

7.2.4.5 Secure the trampoline against unauthorized and unsupervised use.

7.2.4.6 Remove any obstructions from beneath the trampoline.

7.2.4.7 The owner and supervisors of the trampoline are responsible to make all users aware of practices specified in the use instructions.

### 7.3 Care and Maintenance Instructions:

7.3.1 Trampoline care and maintenance instructions shall be supplied by the manufacturer to aid the purchaser in the basic and proper care and maintenance of the trampoline.

7.3.2 The manufacturer's care and maintenance instructions for trampolines using frame padding shall contain the following information:

7.3.2.1 Inspect the trampoline before each use and replace any worn, defective, or missing parts. The following conditions could represent potential hazards:

- (1) Missing, improperly positioned, or insecurely attached frame padding,
- (2) Punctures, frays, tears, or holes worn in the bed or frame padding,
- (3) Deterioration in the stitching or fabric of the bed or frame padding,
- (4) Ruptured springs,
- (5) A bent or broken frame,
- (6) A sagging bed, or
- (7) Sharp protrusions on the frame or suspension system.

7.3.3 The manufacturer's care and maintenance instructions for trampolines not requiring frame padding shall contain at least the following information:

7.3.3.1 Inspect the trampoline before each use and replace any worn, defective, or missing parts. The following conditions could represent potential hazards:

- (1) Punctures, frays, tears, or holes worn in the bed or edge system,
- (2) Deterioration of the stitching or fabric of the bed or edge system,
- (3) A sagging bed,
- (4) Broken or missing suspension elements or suspension elements disconnected from the bed edge,
- (5) A bent or broken frame, or sharp protrusions on the frame.

### 7.4 Warning Information:

7.4.1 All warnings in the information packet shall: (1) be readily visible, (2) alert the reader to the potential hazard in time to take the appropriate action, and (3) have good pictorial, word and message legibility.

NOTE 4—The user of this safety specification is referred to ANSI Z535.4 for guidelines on warning labels.

7.4.2 The information packet shall contain the following warning information:

" WARNING

7.4.2.1 DO NOT attempt or allow somersaults. Landing on the head or neck can cause serious injury, paralysis, or death, even when landing in the middle of the bed.

7.4.2.2 Do not allow more than one person on the trampoline. Use by more than one person at the same time can result in serious injury.

7.4.2.3 Use trampoline only with mature, knowledgeable supervision.

7.5 Use Instructions:

7.5.1 The use instructions shall include the following information:

" WARNING

7.5.1.1 DO NOT attempt or allow somersaults. Landing on the head or neck can cause serious injury, paralysis, or death, even when landing in the middle of the bed.

7.5.1.2 Do not allow more than one person on the trampoline. Use by more than one person at the same time can result in serious injuries.

7.5.1.3 Use trampoline only with mature, knowledgeable supervision.

7.5.1.4 Trampolines over 20 in. (51 cm) tall are not recommended for use by children under 6 years of age.

7.5.1.5 Inspect the trampoline before each use. Make sure the frame padding is correctly and securely positioned. Replace any worn, defective, or missing parts.

(1) For trampolines not requiring frame padding, omit the sentence, "Make sure the frame padding is correctly and securely positioned."

7.5.1.6 Climb on and off the trampoline. It is a dangerous practice to jump from the trampoline to the floor or ground when dismounting, or to jump onto the trampoline when mounting. Do not use the trampoline as a springboard to other objects.

7.5.1.7 Stop bounce by flexing knees as feet come in contact with the trampoline bed. Learn this skill before attempting others.

7.5.1.8 Learn fundamental bounces and body positions thoroughly before trying more advanced skills. A variety of trampoline activities can be carried out by performing the basic fundamentals in various series and combinations, performing one fundamental after another, with or without feet bounces between them.

7.5.1.9 Avoid bouncing too high. Stay low until bounce control and repeated landing in the center of the trampoline can be accomplished. Control is more important than height.

7.5.1.10 While keeping the head erect, focus eyes on the trampoline toward the perimeter. This will help control bounce.

7.5.1.11 Avoid bouncing when tired. Keep turns short.

7.5.1.12 Properly secure the trampoline when not in use. Protect it against unauthorized use. If a trampoline ladder is used, the supervisor should remove it from the trampoline when leaving the area to prevent unsupervised access by children under 6 years of age.

7.5.1.13 Do not use or stand near the trampoline in windy or gusty conditions. A trampoline can become airborne when exposed to sustained wind or gusting wind conditions. This can result in serious injury, paralysis, or death, as well as property damage. To reduce these risks, disassemble the trampoline and enclosure and store them until weather conditions improve. Anchoring a trampoline frame may prevent the trampoline from moving as a result of the wind, but even anchored trampolines can become airborne or damaged. Consult a qualified contractor to determine what type of anchor works best in your location.

7.5.1.14 Keep objects away which could interfere with the performer. Maintain a clear area around the trampoline.

7.5.1.15 Do not use the trampoline while under the influence of alcohol or drugs.

7.5.1.16 For additional information concerning the trampoline equipment, contact the manufacturer.

7.5.1.17 For information concerning skill training, contact a certified trampoline instructor.

7.5.1.18 Bounce only when the surface of the bed is dry. Wind or air movement should be calm to gentle. The trampoline must not be used in gusty or severe winds.

7.5.1.19 Read all instructions before using the trampoline. Warnings and instructions for the care, maintenance, and use of this trampoline are included to promote safe, enjoyable use of this equipment.

7.5.2 Additional trampoline instructional materials shall be supplied by the manufacturer to aid the user in learning the fundamental trampoline skills. These instructional materials shall contain illustrations depicting trampolinists performing the fundamental skills positions, accompanied by printed material describing them and suggesting ways to accomplish them. These instructional materials shall be intended for use with consumer trampolines and shall not describe the use of trampoline devices for somersaulting, vaulting, diving, or other intermediate or advanced skills.

7.5.3 Suitable materials shall also include information pertaining to:

7.5.3.1 Trampoline safety and accident prevention.

7.5.3.2 Supervisor's role in preventing injuries.

7.5.3.3 Responsibilities of the owner/supervisor/instructor, and

7.5.3.4 Responsibilities of the user.

## 7. Information Packet

### 7.1 Packet Marking and Contents:

7.1.1 Each trampoline enclosure shall be accompanied by a separate packet of materials, with the following notice:

Assembly, Installation, Care, Maintenance, and Use Instructions

#### WARNING

Read these materials prior to assembling and using this Trampoline Enclosure

7.1.1.1 This notice shall, without font or layout being implied, be well highlighted, and in enlarged boldface type in contrast to other text.

7.1.2 The packet shall contain: (1) assembly instructions, (2) care and maintenance instructions, (3) warning information, and (4) use instructions.

### 7.2 Assembly and Installation Instructions:

7.2.1 The manufacturer's assembly instructions for the trampoline enclosure shall be clearly written and presented such that the trampoline enclosure can be properly and safely assembled.

7.2.2 Any specific use limitations placed on the trampoline enclosure by the manufacturer shall be included in a statement appearing in a box at the bottom of the first page after the following notice:

#### WARNING

7.2.3 Trampoline enclosure installation instructions shall be supplied by the manufacturer to aid the purchaser in proper installation and placement of the trampoline enclosure. The installation instructions shall include the following information:

7.2.3.1 Adequate overhead clearance is essential. A minimum of 24 ft from ground level is recommended. Provide clearance for wires, tree limbs, and other possible hazards.

7.2.3.2 Lateral clearance is essential. Place the trampoline and trampoline enclosure away from walls, structures, fences, and other play areas. Maintain a clear space on all sides of the trampoline and trampoline enclosure.

7.2.3.3 Place the trampoline and trampoline enclosure on a level surface before use.

7.2.3.4 Use the trampoline and trampoline enclosure in a well-lighted area. Artificial illumination may be required for indoor or shady areas.

7.2.3.5 Secure the trampoline and trampoline enclosure against unauthorized and unsupervised use.

7.2.3.6 Remove any obstructions from beneath the trampoline and trampoline enclosure.

7.2.3.7 The trampoline enclosure is only to be used as an enclosure for a trampoline of a size for which the enclosure is designed.

### 7.3 Care and Maintenance Instructions:

7.3.1 Trampoline enclosure and maintenance instructions shall be supplied by the manufacturer to aid the purchaser in the basic and proper care and maintenance of the trampoline enclosure.

7.3.2 The manufacturer's care and maintenance instructions for the trampoline enclosure shall contain the following information:

7.3.2.1 The information of 7.3.2.3 when the support system frame or poles require padding; or

7.3.2.2 The information of 7.3.2.4 when the support system frame or poles do not require padding.

7.3.2.3 Inspect the trampoline enclosure before each use and replace any worn, defective, or missing parts. The following conditions could represent potential hazards:

(1) Missing, improperly positioned, or insecurely attached barrier or enclosure support system (frame) padding and pole caps.

(2) Punctures, frays, tears, or holes worn in the barrier or support system (frame) padding.

(3) Deterioration in the stitching or fabric of the barrier or support system (frame) padding.

(4) Bent or broken support system (frame).

(5) Sagging barrier.

(6) Sharp protrusions on the support (frame) or suspension system.

7.3.2.4 Inspect the trampoline enclosure before each use and replace any worn, defective, or missing parts. The following conditions could represent potential hazards:

(1) Missing, improperly positioned, or insecurely attached barrier or enclosure support system pole caps,

(2) Punctures, frays, tears, or holes worn in the barrier,

(3) Deterioration in the stitching or fabric of the barrier,

(4) Bent or broken support system (frame) or poles,

(5) Sagging barrier, and

(6) Sharp protrusions on the support (frame) or suspension system.

### 7.4 Warning Information:

7.4.1 All warnings in the information packet shall: (1) be readily visible, (2) alert the reader to the potential hazard in time to take the appropriate action, and (3) have good pictorial word and message legibility.

NOTE 2—The user of this safety specification is referred to ANSI Z535.4 for guidelines on warning labels.

7.4.2 The information packet shall contain the following warning information:

#### WARNING















7.4.2.1 DO NOT attempt or allow somersaults on the trampoline. Landing on the head or neck can cause serious injury, paralysis, or death, even when landing in the middle of the bed.

7.4.2.2 Do not allow more than one person inside the trampoline enclosure. Use by more than one person at the same time can result in serious injury.

7.4.2.3 Use trampoline enclosure only with mature, knowledgeable supervision.

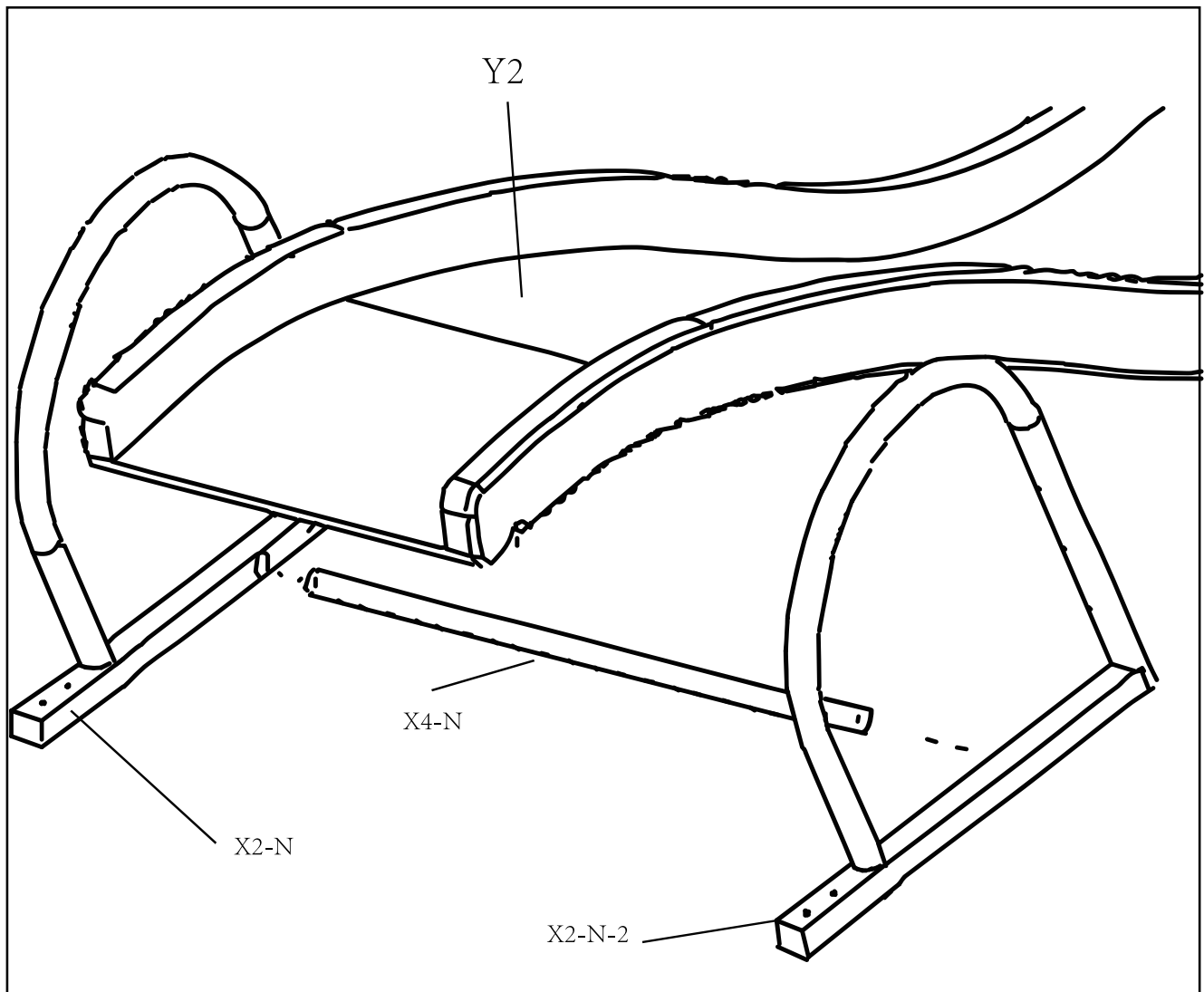
### 7.5 Use Instructions:

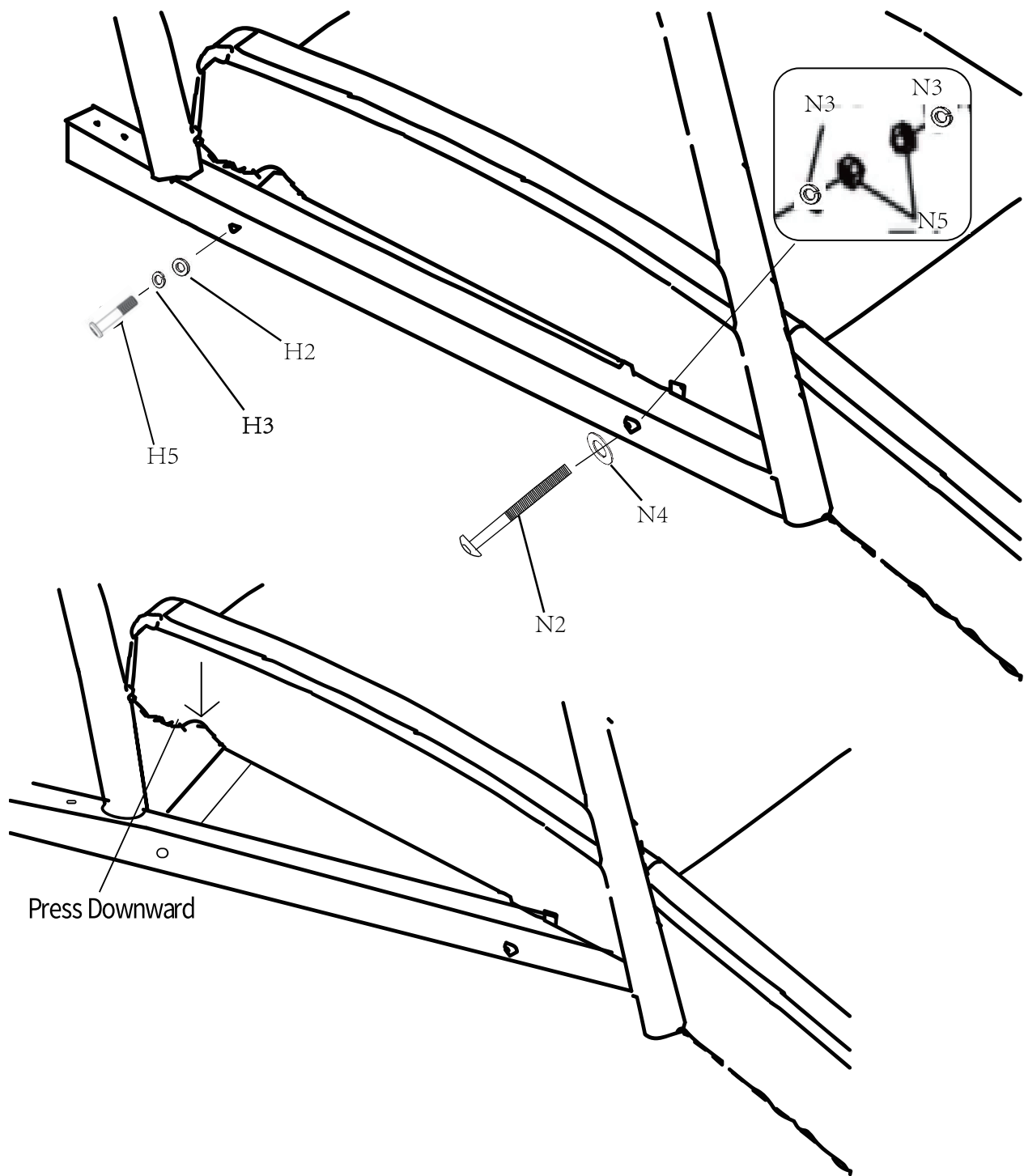
## Part List - Trampoline

Y2		Slide	1
X2-N		Left Handrail	1
X2-N-2		Right Handrail	1
X4-N		Joint Lever	1
U2		Big Fastener	2
H5		Bolt	2
H2		Washer	10
H3		Big Spring Washer	6
H4		Lock Nut	4
N1		Bolt	4
N2		Bolt	2
N3		Small Spring Washer	2
N4		Washer	2
N5		Lock Nut	2

## Step 1 - Prepare the Slide Assembly

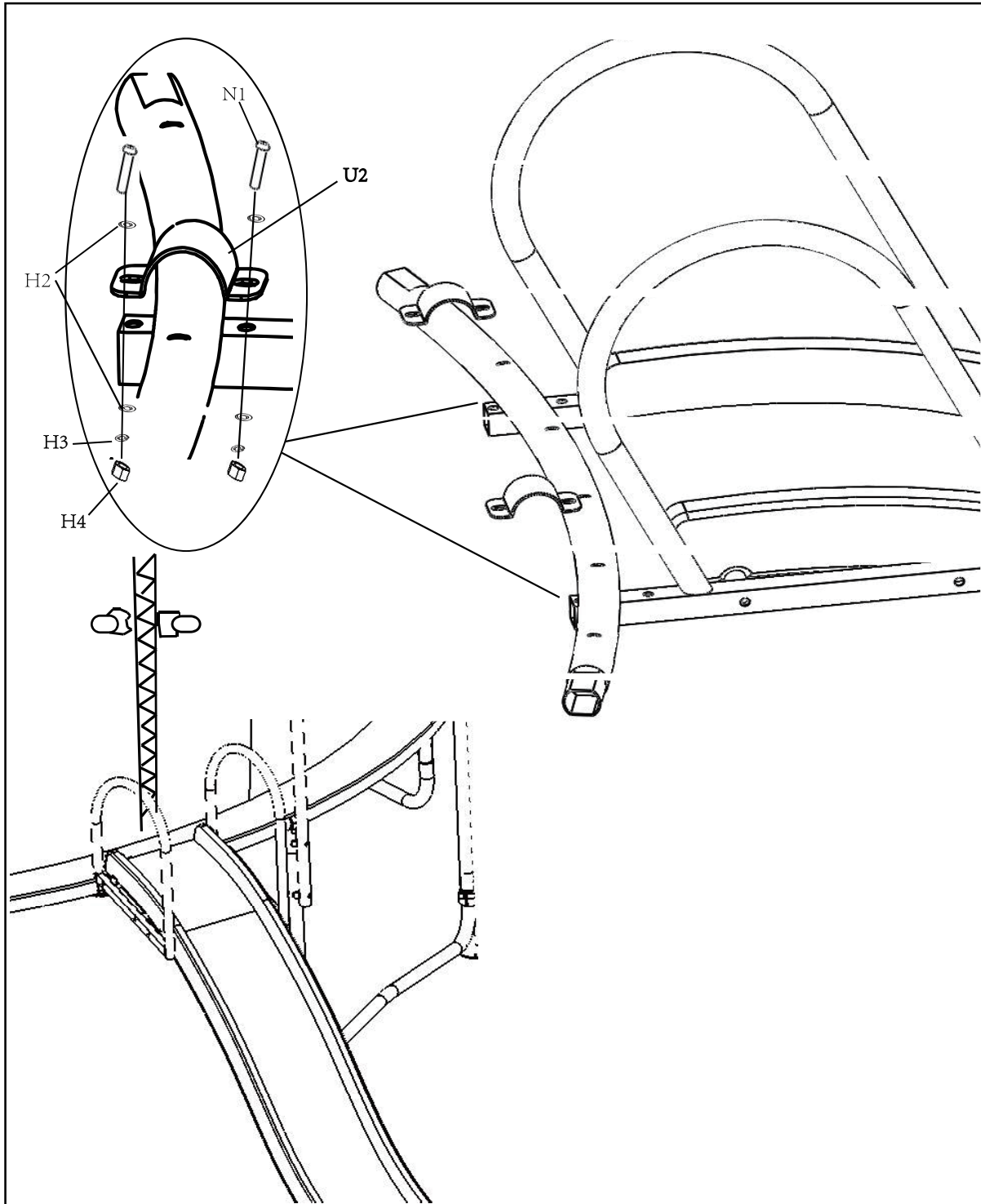
Take out the joint lever (X4-N), left handrail (X2-N), right handrail (right handrail) and slide (Y2) to prepare for the assembly as the following figure shows. Put the big holes of left handrail (X2-N) and right handrail (X2-N-2) face inward, and connect them with joint lever (X4-N).





## Step 2 - Assemble the Slide

Take out the bolt (H5), washer (H2) and big spring washer (H3), and assemble the joint lever (X4-N) with these parts. The assembly of the left and right handrails are the same. Take out the bolt (N2), small spring washer (N3), washer (N4) and lock nut (N5), and connect the slide (pass the bolt (N2) and washer (N3) through the holes on the slide, and fasten them with small spring washer (N3) and lock nut (N5)), finally press the groove on the slide into the joint lever (X4N). As shown in above figure



### Step 3 - Connect the Slide with Trampoline

Connect the slide with the trampoline at the position of enclosure door, which is also the opposite of the swing. Put the end of slide under the top rail, and install it through the bolt (N2) and big fastener (U2).

# Installation instructions for 1.1m football gate

