

USE AND CARE GUIDE

— 52-INCH CEILING FAN —

Safety Information

- 1、 To reduce the risk of electrical shock the electricity has been turned off at the circuit breaker or fuse box before begin.
- 2、 The outlet box and support structure must be securely mounted and capable of reliably supporting 35lb. (15.9kg). Use only UL listed outlet boxes marked "Acceptable for Fan Support of 35lbs(15.9kg) or less."
- 3、 The fan must be mounted with a minimum of 7 ft. (2.1 m) clearance from the trailing edge of the blades to the floor.
- 4、 Do not operate the reversing switch while the fan blades are in motion. You must turn the fan off and stop the blades before you reverse the blade direction.
- 5、 Do not place objects in the path of the blades.
- 6、 To avoid personal injury or damage to the fan and other items use caution when working around or cleaning the fan.
- 7、 Electrical diagrams are for reference only. Light kits that are not packed with the fan must be UL-listed and marked suitable for use with the model fan you are installing. Switches must be UL General Use Switches. Refer to the instructions packaged with the light kits and switches for proper assembly.
- 8、 After making electrical connections, spliced conductors should be turned upward and pushed carefully up into the outlet box. The wires should be spread apart with the grounded conductor and the equipment-grounding conductor on one side of the outlet box.
- 9、 All setscrews must be checked and retightened where necessary before installation.



WARNING: To reduce the risk of personal injury, do not bend the blade brackets (also referred to as flanges) during assembly or after installation. Do not insert objects in the path of the blades.



WARNING: To reduce the risk of fire or electric shock, do not use this fan with any solid-state speed control device.



WARNING: To avoid possible electrical shock, turn the electricity off at the main fuse box before wiring. If you feel you do not have enough electrical wiring knowledge or experience, contact a licensed electrician.



WARNING: Electrical diagrams are for reference only. Optional use of any light kit shall be UL-listed and marked suitable for use with this fan.



WARNING: To reduce the risk of fire, electric shock, or personal injury, mount to outlet box marked "Acceptable for fan support of 35 lbs. (15.9 kg) or less." and use the screws provided with the outlet box.

Warranty

The supplier warrants the fan motor to be free from defects in workmanship and material present at time of shipment from the factory for a lifetime after the date of purchase by the original purchaser. The supplier also warrants that all other fan parts, excluding any glass or acrylic blades, to be free from defects in workmanship and material at the time of shipment from the factory for a period of one year after the date of purchase by the original purchaser. We agree to correct such defects without charge or at our option replace with a comparable or superior model if the product is returned. To obtain warranty service, you must present a copy of the receipt s proof of purchase. All costs of removing and reinstalling the product are your responsibility. Damage to any part, such as by accident, misuse, improper installation or by affixing any accessories, is not covered by this warranty. Because of varying climatic conditions this warranty does not cover any changes in brass finish, including rusting, pitting, corroding, tarnishing, or peeling. Brass finish of this type give their longest useful life when protected from varying weather conditions. A certain amount of "wobble" is normal and should not be considered a defect. Servicing performed by unauthorized persons shall render the warranty invalid. There is no other express warranty. hereby disclaims any and all warranties, including but not limited to those of merchantability and fitness for a particular purpose to the extent permitted by law. The duration of any implied warranty which cannot be disclaimed is limited to the time period as specified in the express warranty. Some states do not allow a limitation on how long an implied warranty lasts, so the above limitation may not apply to you. The retailer shall not be liable for incidental, consequential, or special damages arising out of or in connection with product use or performance except as may otherwise be accorded by law. Some states do not allow the exclusion of incidental or consequential damages, so the above exclusion or limitation may not apply to you. This warranty gives specific legal rights, and you may also have other rights which vary from state to state. This warranty supersedes all prior warranties. Shipping costs for any return of products as part of a claim on the warranty must be paid by the customer.

Pre-Installation

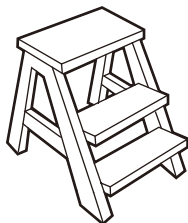
TOOLS REQUIRED



Phillips
screwdriver



Flat blade
screwdriver



Step
ladder



Wire
stripper

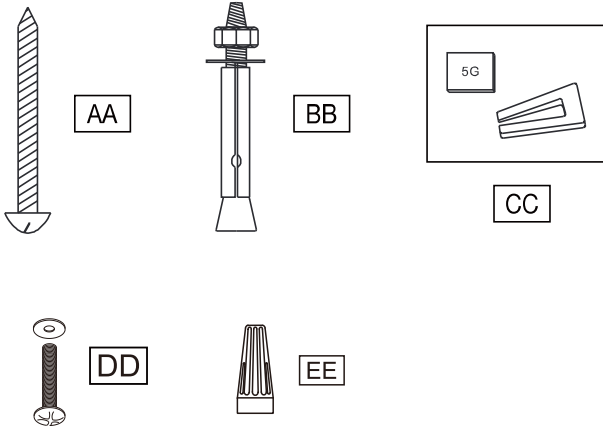



Electrical
tape

Pre-Installation(continued)

HARDWARE INCLUDED

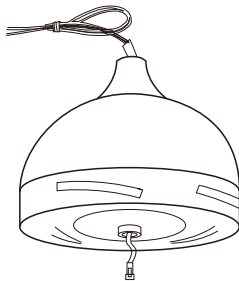

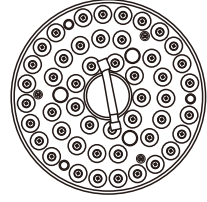
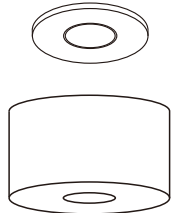
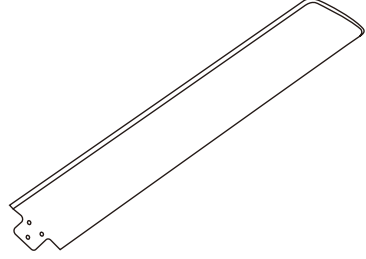
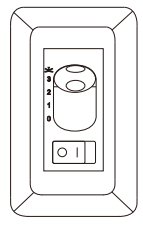

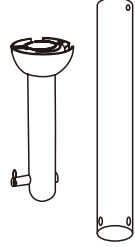

components table



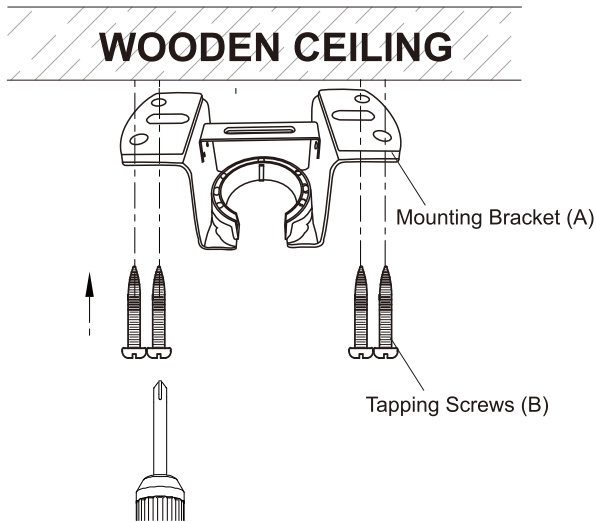
 NOTE: Hardware not shown to actual size.

AA	Mounting screws	4
BB	Expansion Bolts	2
CC	Balanced parts package	1
DD	Mounting screws and cushion(Outlet box)	2
EE	Plastic wire nut(not to scale)	3

PACKAGE CONTENTS

						
Fan-motor assembly	1	Decorative shade	1	LED light kit	1	
Canopy Cover						
						
Canopy	1	Blades	5	Wall Control	1	
						
Mounting Bracket	1	Ball/downrod assembly	2	K	Coupling cover	1

Installation of the hanging bracket (suspension part)



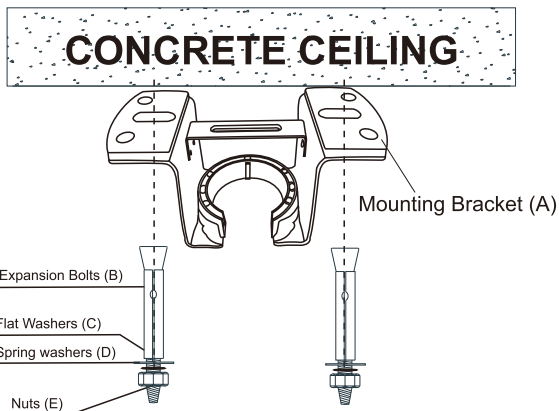
For wooden ceiling, use wood screw to drill on the wooden beam or the "junction box" to fix the hanging bracket (selection is made according to actual requirements of the customers).

STEP 1A-WOODEN CEILING

SWITCH OFF THE ELECTRICAL MAINS AT THE CIRCUIT BREAKER FUSE BOX.

- 1) Use the Mounting Bracket (A) as a guide, mark the spots where the 4 Self Tapping Screws (B) will be drilled.
- 2) Remove the Mounting Bracket (A), drill 4 holes for 3MM diameter, install the mounting bracket onto wooden ceiling with the 4 Self Tapping Screws (B).

⚠ IMPORTANT : SCREWS MUST BE TIGHTENED TILL SNUG



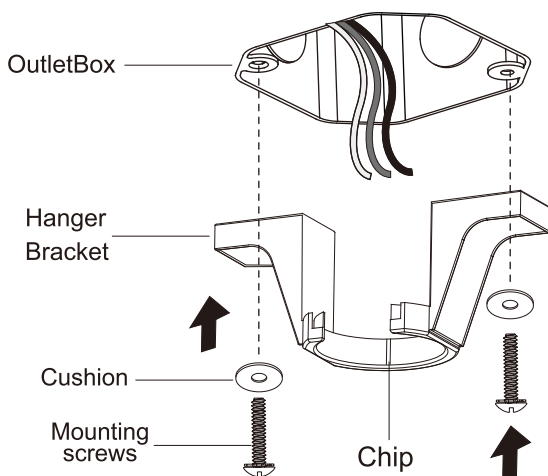
For concrete ceiling, use the percussion bit with diameter 8mm to drill holes according to the length of expansion screws. Then use the attached expansion screws to fix the hanging bracket onto the ceiling (selection is made according to actual requirements of the customers).

STEP 2A-CONCRETE CEILING

SWITCH OFF THE ELECTRICAL MAINS AT THE CIRCUIT BREAKER FUSE BOX.

- 1) Use the Mounting Bracket (A) as a guide, mark the spots where the 2 Expansion Bolts(B) will be drilled.
- 2) Remove the Mounting Bracket (A). Drill 2 holes for 8MM diameter and insert 2 Expansion Bolts (B) into the concrete ceiling, install the mounting bracket and secure with Flat Washers(C), Spring Washers(D)and Nuts(E).

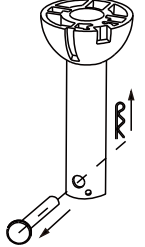
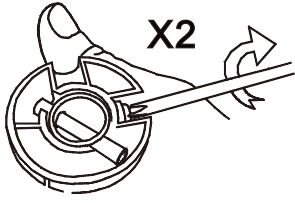
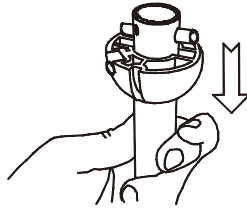
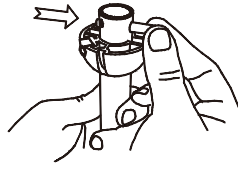
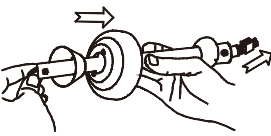
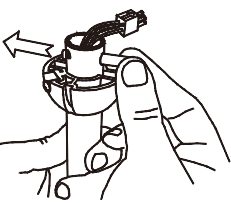
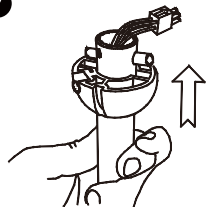
⚠ IMPORTANT : SCREWS MUST BE TIGHTENED TILL SNUG



Tighten the hanger bracket to the outlet box with 2 mounting screws. (To reduce the risk of fire, electric shock, or personal injury, mount to the outlet box marked "Acceptable for fan support" and use mounting screws provided with the outlet box.)

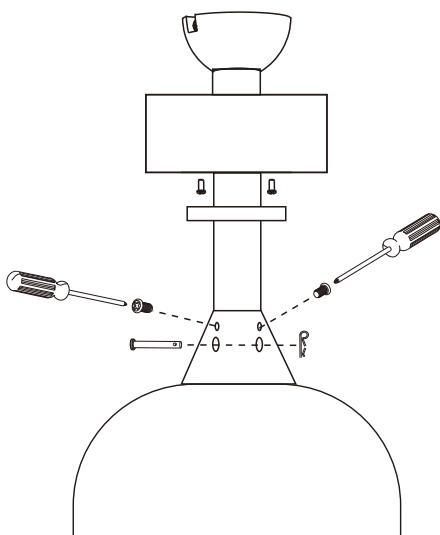
Assembly instruction

1. Install the downrod

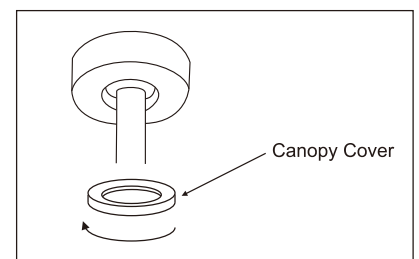
			
<p>Remove the lock pin and the bolt of the base of the downrod.</p>	<p>Unscrew the screws of the hanger ball.</p>	<p>Slide the ball down the downrod.</p>	<p>Remove the bolt of the downrod.</p>
			
<p>Insert on the downrod the canopy and the Bolt & Pin cover. Carefully feed motor wires through the downrod assembly.</p>	<p>Replace the bolt of the hanger ball.</p>	<p>Replace the hanger ball at its normal position.</p>	

Install the hanging part of the ceiling fan.

1. Install downrod assembly

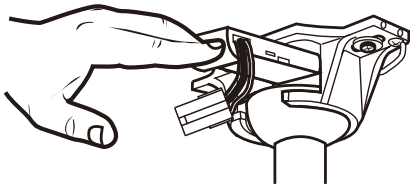
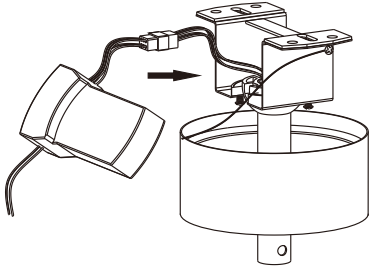


1. Thread the suspender through the suspended clock and coupling cover.
2. Then insert the tail of the suspender from the lifting head of the motor.
3. Remove the lateral pin out from the suspended head position, secure with R type pin (Clevis pin).
4. Tighten the lifting head screws. Tighten the 2 Set Screws on the Coupling to serve as a clamping force on the Downrod to prevent fan shaking during operation.
5. Route the Coupling cover, Canopy Ring, Canopy and Hanger Ball through the Downrod in turn, and then install the Lock pin through the hole on the Downrod.



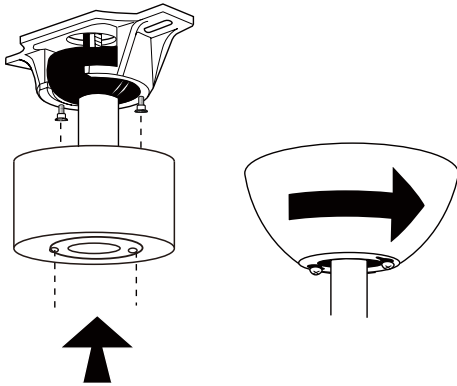
Assembly – Hanging the Fan(continued)

Installing remote control receiver



1. Once wiring step has been completed, slide the wired remote receiver in between the mounting bracket and the top of the downrod ball for downrod fans

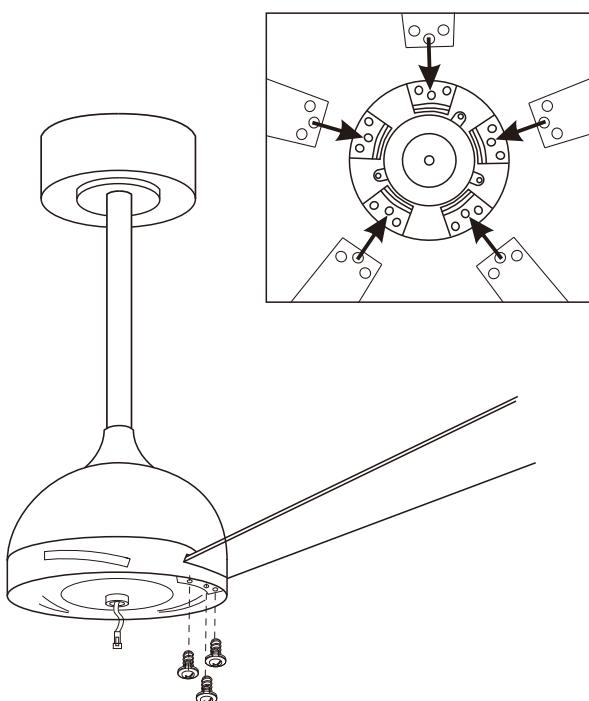
Install the canopy



2. Carefully push the canopy to the bottom of the mounting bracket, make two sliding holes aligned to the two prominent screws on the mounting bracket, and then turn clockwise until tight.
3. Push the canopy ring to the bottom of the canopy, slide the inner holes aligned to the two prominent screws on the mounting bracket again, and turn the canopy ring clockwise until tight.

Assembly – Attaching the Fan Blades

1. Fastening the blade to the motor



NOTE:Your fan blades are reversible. Select the blade side finish which best accentuates your decor.



NOTE:Your fan features revolutionary advancements for quick and easy blade installation. Including an alignment post and captive blade arm screws.

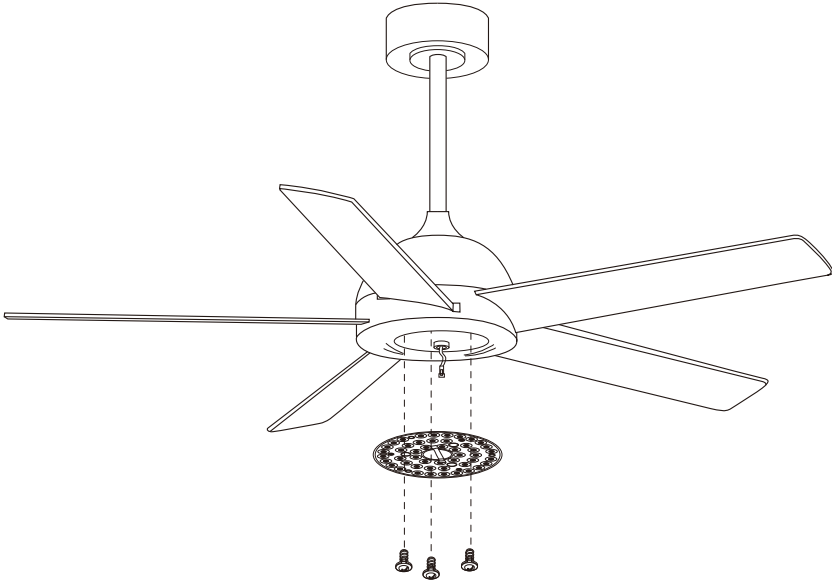


WARNING:Remove the rubber motor stops on the bottom of the fan before installing the blades or testing the motor.

1. Fasten the Blade to the fan-motor assembly by inserting the alignment post into the slot on the bottom of the motor and tightening the pre-installed Blade screws.
2. Repeat this step for the remaining blade assemblies.

Assembly – Attaching the Lights

1. Install the light source



CAUTION: To reduce the risk of electric shock, disconnect the electrical circuit to the fan before installing the light fixture.

WARNING: Allow the shatter resistant bowl to cool completely before removing.

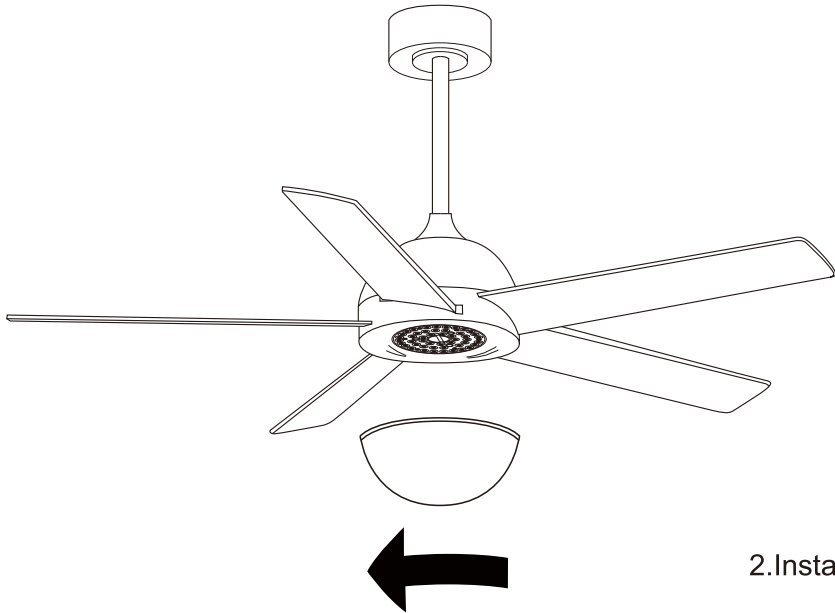
CAUTION: Make sure the power is off before attaching or removing the shatter resistant bowl.

CAUTION: Do not over tighten the hex nut, over tightening the hex nut may cause the shatter resistant bowl to break.

1. Wire according to the diagram, Install the LED light on the lamp pan.

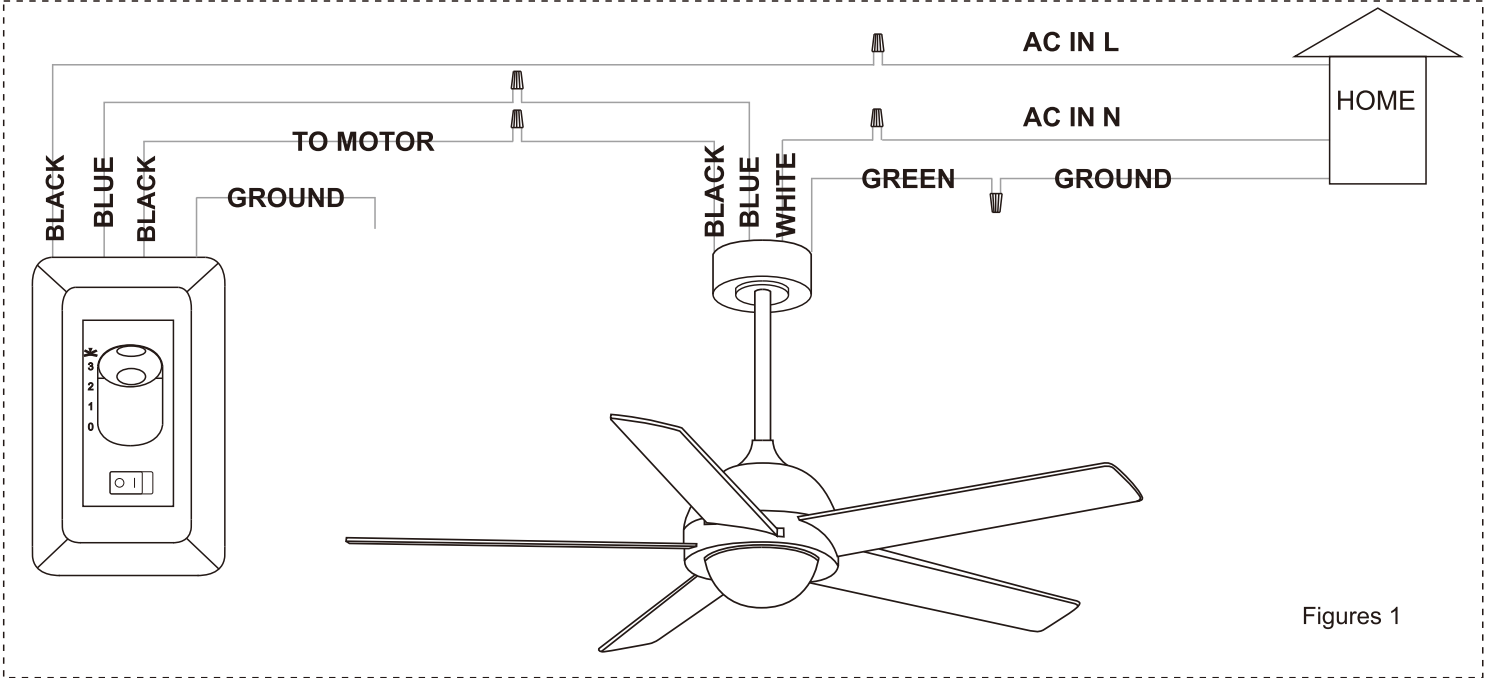


2. Install the lampshade



2. Install the lamp cover as shown.

ELECTRIC CONNECTIONS



Figures 1

SPECIFICATION and INSTRUCTION SHEET

DESCRIPTION: One Ceiling Fan&Light, 3Speed wall Control

ELECTRICAL SPECS: 120 Volts, 60Hertz, Light Rating 300W Max ,Fan 5A Max.

NOTE: If fan or supply wires are different colors than indicated, have this unit installed by a qualified electrician.

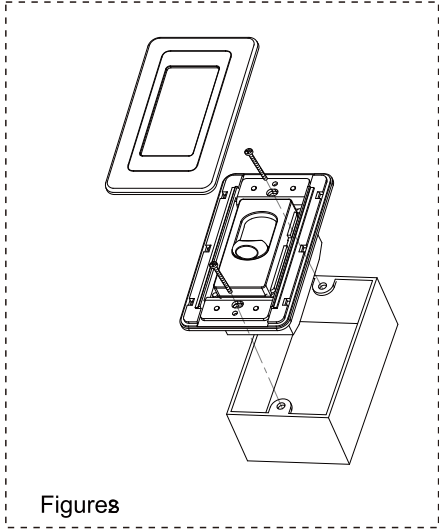
1 .Installing Wall Control(Figures 1):With electrical power still disconnected, remove the existing wall plate and switch. Make wiring connections with wire nuts as shown inFigure 1 .

Attach wall control unit to outlet box using the two screws provided. Attach wall plate to the switch control front. Restore electrical power.

2.Operating & Using Wall Control: NOTE: Set pull chain to high speed before using the wall control. You can now use your speed control to select any of the 3-speeds plus OFF.

- .0 Position-fan off Light Control
- .1 Position-high fan speed .Toggle Switch-on/off
- .2 Positon-medium fan speed
- .3 Position-low fan speed

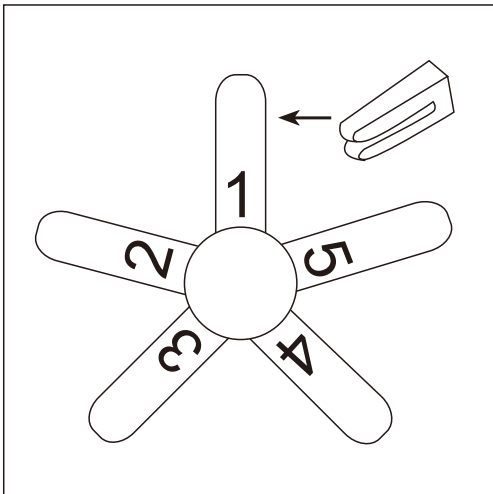
3. Secure the wall-mounted control to the outlet box with two screws provided. Then, the face plate clicks on the wall control. (Fig. 2)



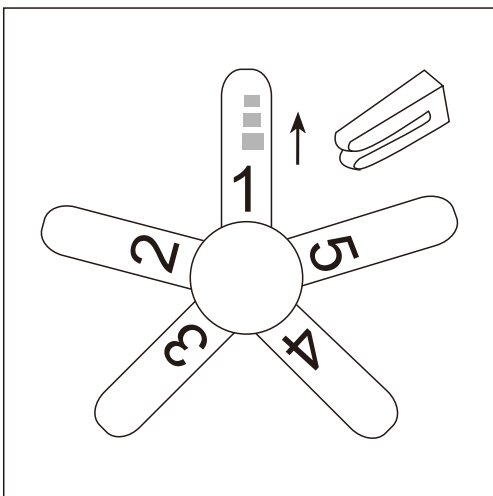
Figures

WARNING	WARNING
<p>To avoid possible fire or shock, make sure that the electrical wires are completely inside the outlet box and not pinched between the wall plate and the wall.</p>	<p>Check to see that all connections are tight, including ground, and that no bare wire is visible at the wire connectors, except for the ground wire. Do not operate fan until the blades are in place. Noise and fan damage could result.</p>

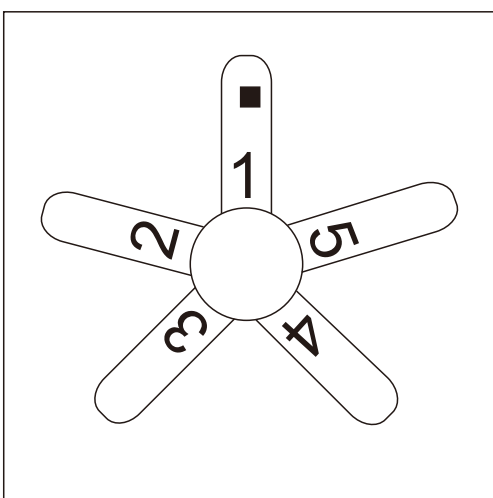
Fans Balance



Slide the balancing clip on the trailing edge of any blade, halfway between the holder and tip. Run the fan to check the wobble. If the wobble persists, repeat with each blade, noting which one most reduced the wobble.



Slide the clip in small increments away from the center of that blade. Move the clip, operate the fan, then move it again until you eliminate as much wobble as possible.



Stick the adhesive-backed balancing weight on the top center of the blade directly in line with the balancing clip. Add more weight if needed to get a smooth-running fan.

Care and Cleaning



WARNING: Make sure the power is off before cleaning your fan.

- Because of the fan's natural movement, some connections may become loose. Check the support connections, brackets, and blade attachments twice a year. Make sure they are secure. It is not necessary to remove the fan from the ceiling.
- Clean your fan periodically to help maintain its new appearance over the years. Do not use water when cleaning, as this could damage the motor or the wood, or possibly cause an electrical shock. Use only a soft brush or lint-free cloth to avoid scratching the finish. The plating is sealed with a lacquer to minimize discoloration or tarnishing.
- You can apply a light coat of furniture polish to the wood for additional protection and enhanced beauty. Cover small scratches with a light application of shoe polish.
- You do not need to oil your fan. The motor has permanently-lubricated sealed ball bearings.

Troubleshooting

Problem	Solution
The fan will not start.	<ul style="list-style-type: none"> <input type="checkbox"/> Check the main and branch circuit fuses or breakers. <input type="checkbox"/> Check the line wire connections to the fan and switch wire connections in the switch housing.
The fan is noisy.	<ul style="list-style-type: none"> <input type="checkbox"/> Ensure all motor housing screws are snug. <input type="checkbox"/> Ensure the screws that attach the fan blade bracket to the motor hub are tight. <input type="checkbox"/> Ensure the wire nut connections are not ratting against each other or the interior wall of the switch housing. <input type="checkbox"/> Allow a 24-hour "breaking in" period. Most noises associated with a new fan disappear during this time. <input type="checkbox"/> If you are using the Ceiling Fan light kit, ensure the screws securing the glassware are tight. <input type="checkbox"/> Check that the light bulbs are also secure. <input type="checkbox"/> Ensure the canopy is a short distance from the ceiling. It were used not touch the ceiling. <input type="checkbox"/> Ensure your outlet box is secure and rubber isolator pads wereused between the mounting plate and outlet box.
The fan wobbles.	<ul style="list-style-type: none"> <input type="checkbox"/> Check that all blade and blade arm screws are secure. <input type="checkbox"/> Most fan wobble problems are caused when blade levels are unequal. <input type="checkbox"/> Check this level by selecting a point on the ceiling above the tip of one of the blades. <input type="checkbox"/> Measure from a point on the center of each blade to the point on the ceiling. <input type="checkbox"/> Measure this distance. Rotate the fan until the next blade is positioned for measurement. <input type="checkbox"/> Repeat for each blade. Any measurement deviation should be within 1/8 in. Run the fan for ten minutes. <input type="checkbox"/> If the fan continues to wobble please contact Customer Service and a balancing kit will be sent to you at no charge.