
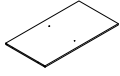
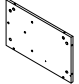
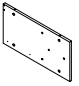
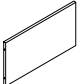
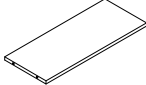
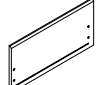
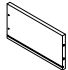
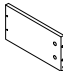
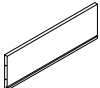
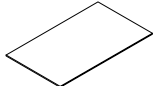



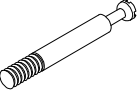
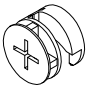
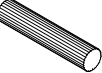






Parts List

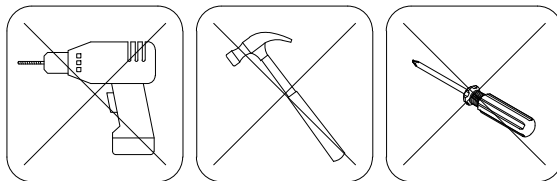
NO.	Drawing	Dimension	QTY
1		1200*600*15mm	1
2		1103*594*15mm	1
3		503*305*15mm	2
4		562*290*15mm	1
5		544*290*15mm	2
6		544*244*15mm	2
7		557*268*15mm	2

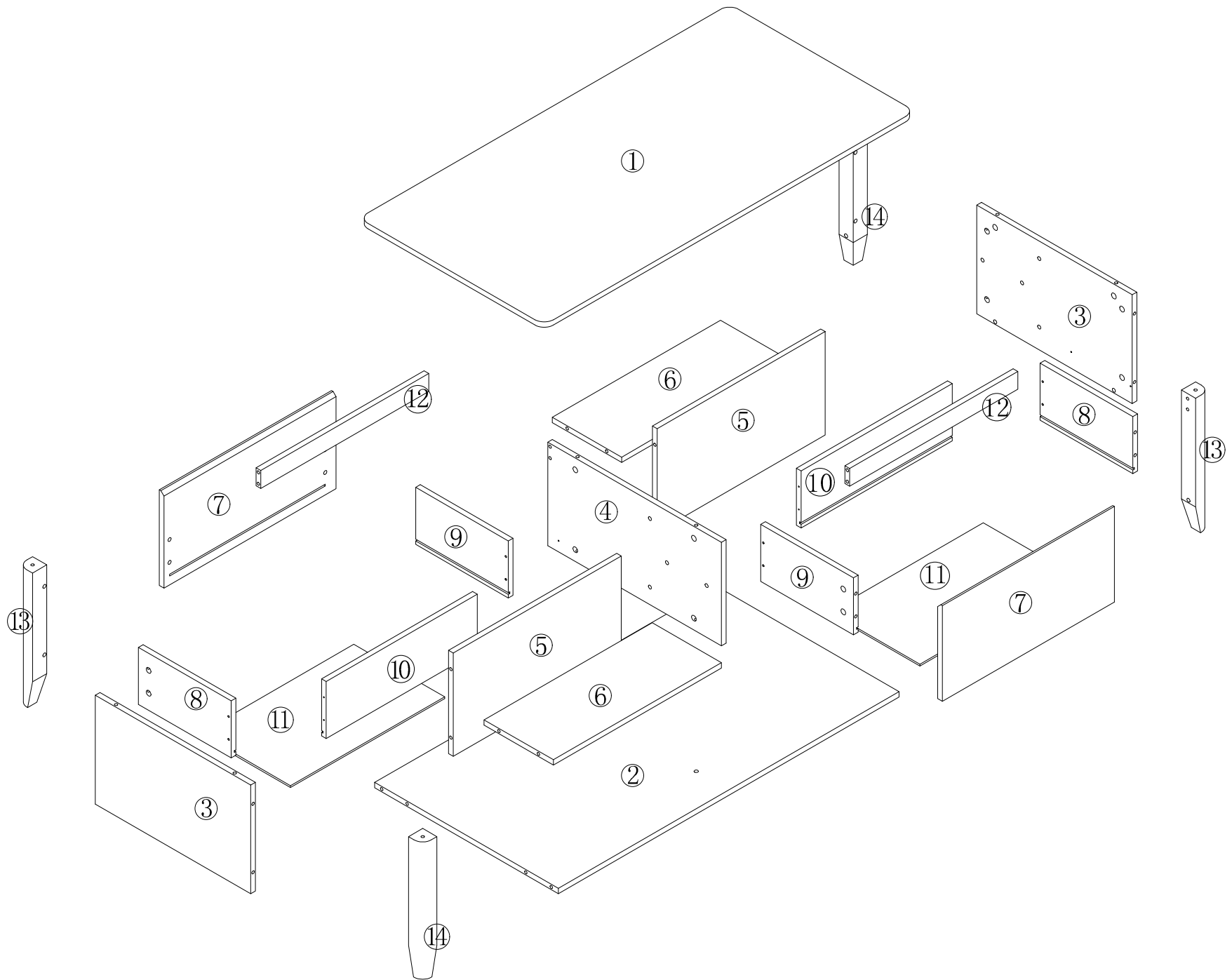
NO.	Drawing	Dimension	QTY
8		300*160*15mm	2
9		300*160*15mm	2
10		489*160*15mm	2
11		499*294*4mm	2
12		544*50*15mm	2
13		385*46*46mm	2
14		385*46*46mm	2

Hardware Fitting

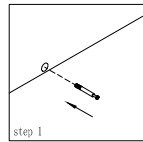
NO.	Drawing	QTY
A		48
B		48
C		12
D	 3.5*14mm	16

NO.	Drawing	QTY
E		2
F		8
G		1

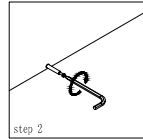




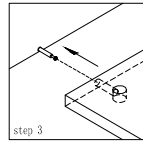
Cam Coupling Using Methods



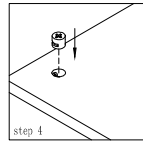
Step1.
Connect the cam coupling A as directed in the assembly instructions using hand.



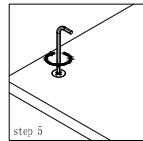
Step2.
Screw the cam coupling A as directed in the assembly instructions.



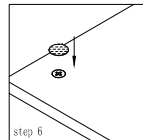
Step3.
Push the cam coupling A into the entry hole.



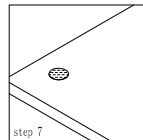
Step4.
Insert the cam coupling B as shown in the instructions.



Step5.
Turn the cam coupling B clockwise with a screwdriver

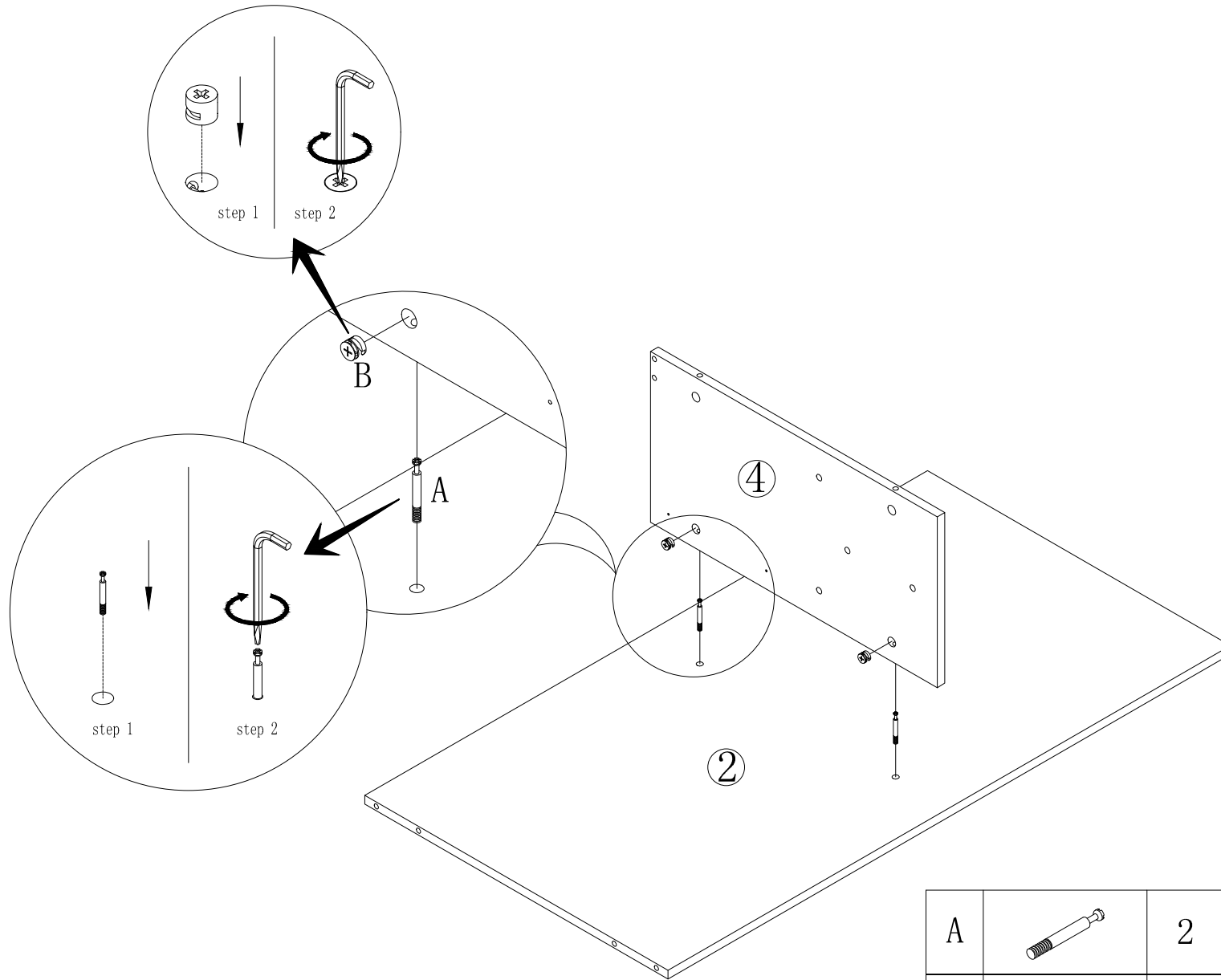


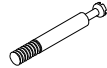

Step6.
Put on Beautycam.

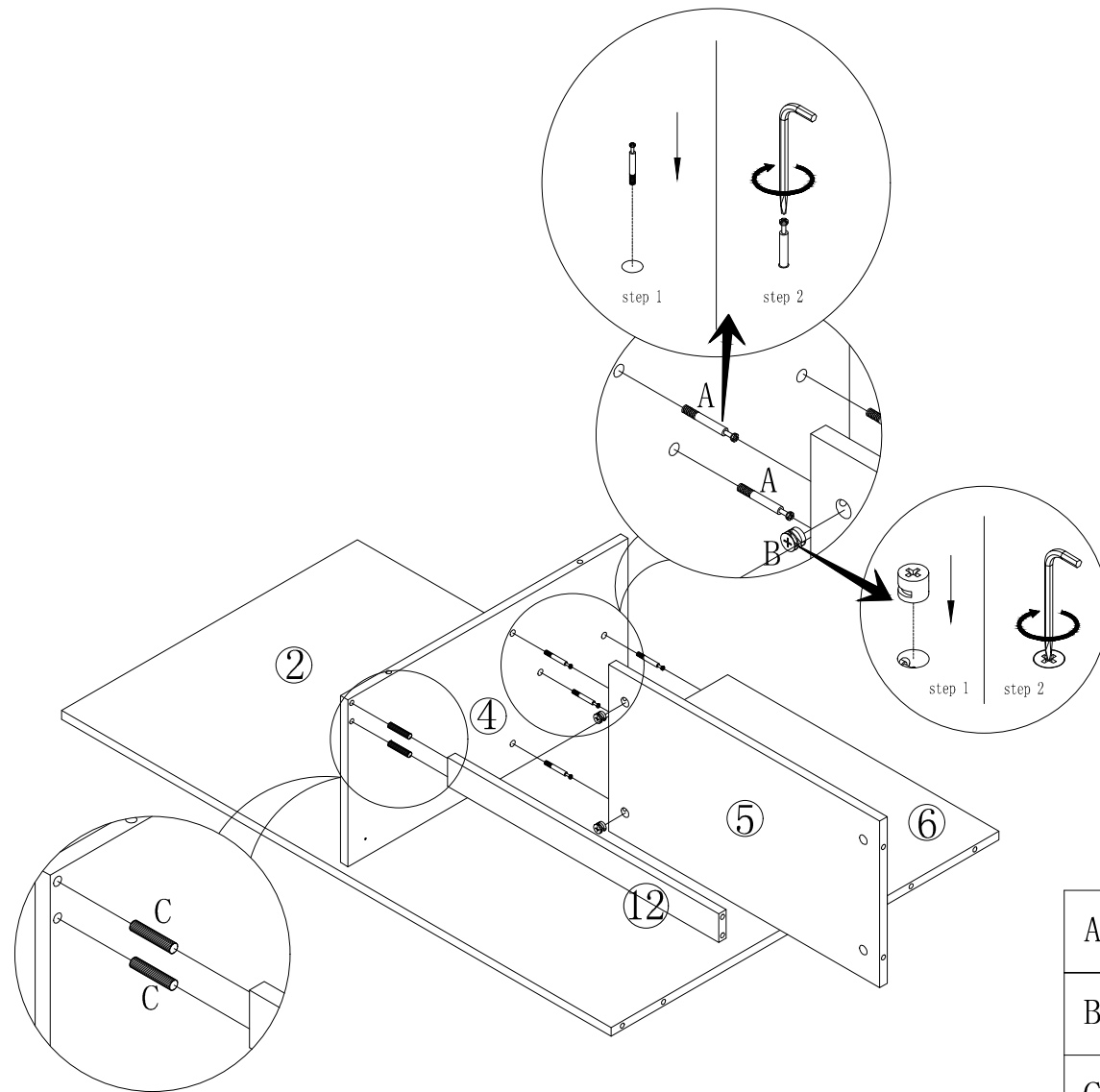




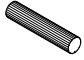
Step7.
Finished.

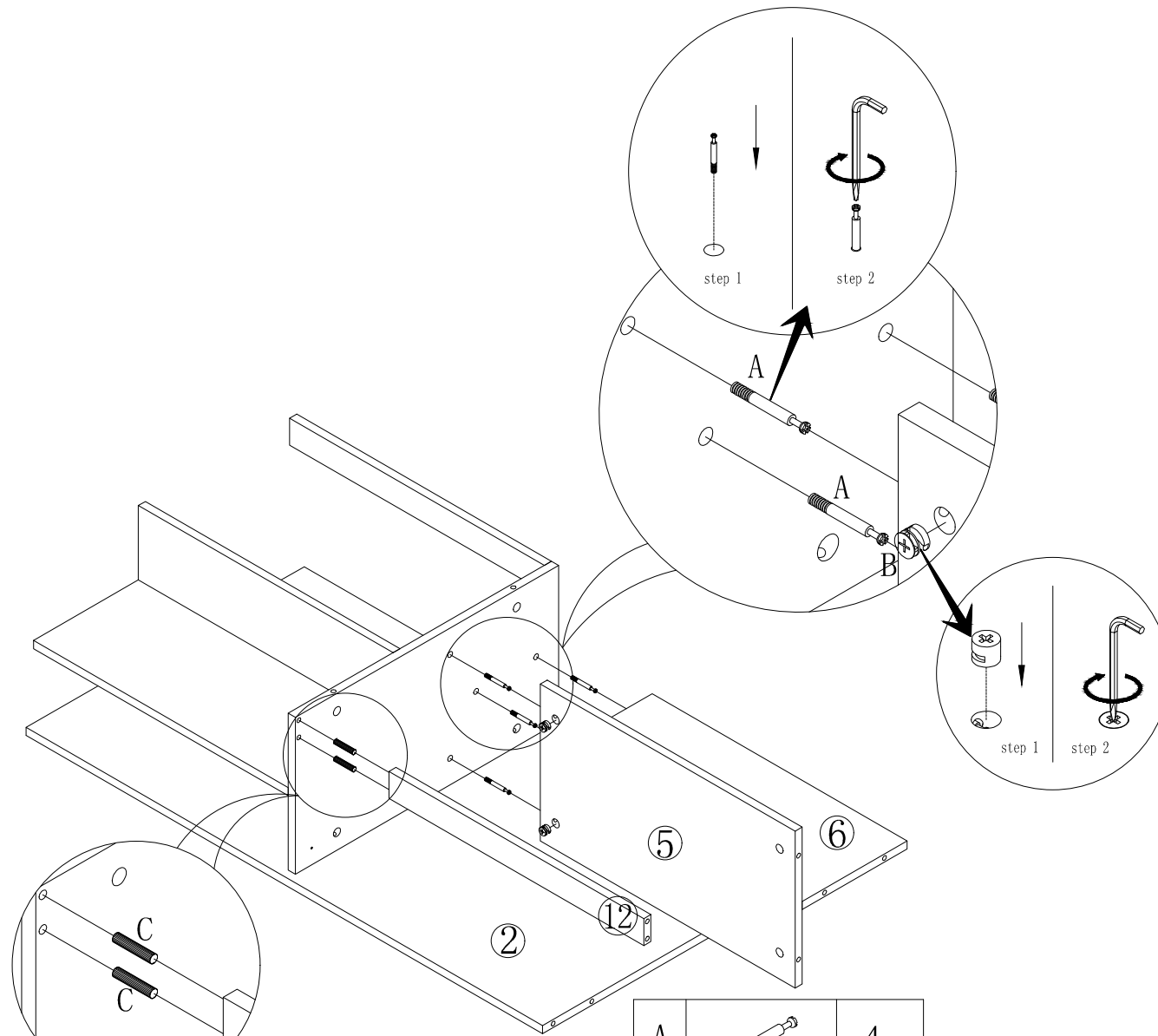
You should feel a click when the camlock is locked in place.
The joint is now secure.



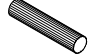




A		2
B		2

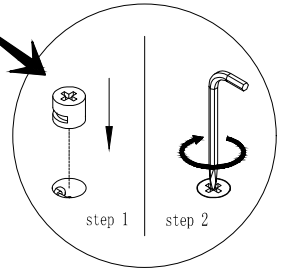
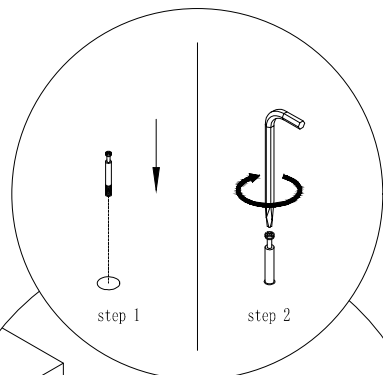
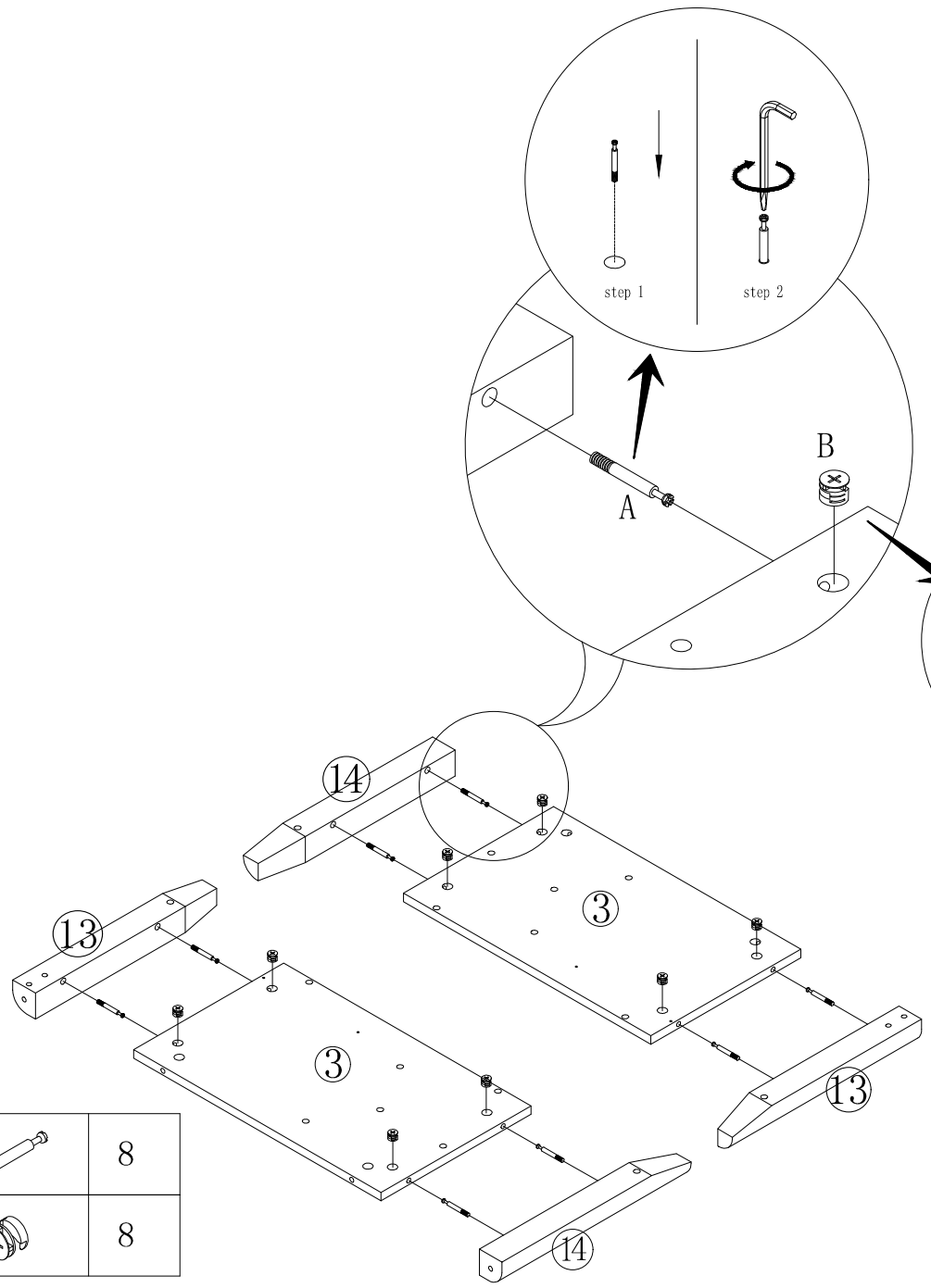


A		4
B		4
C		2

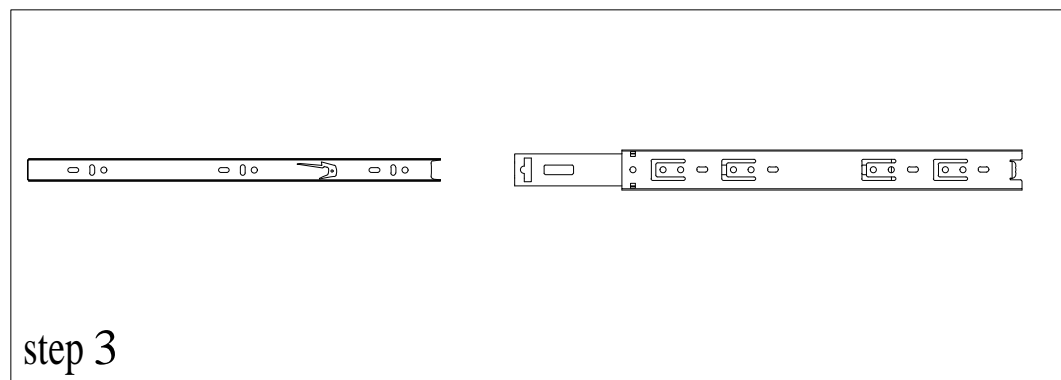
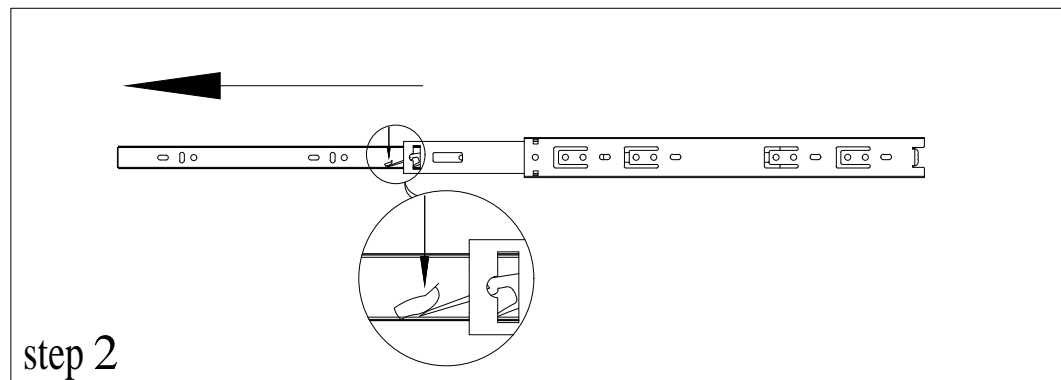
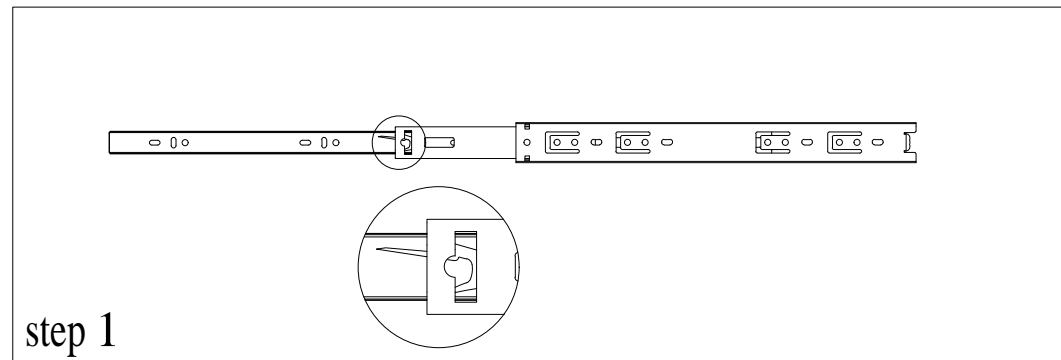


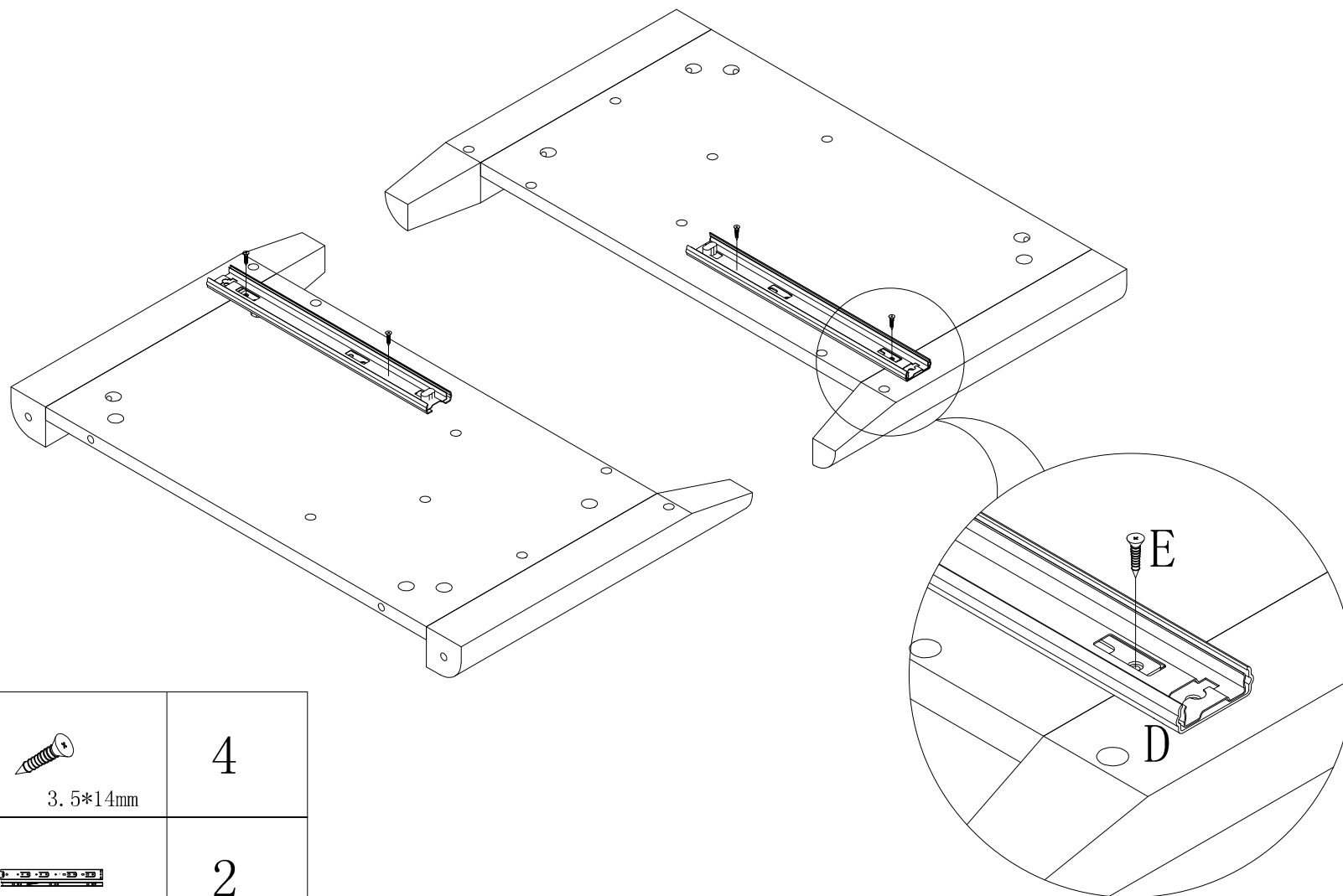
A		4
B		4
C		2



A		8
B		8

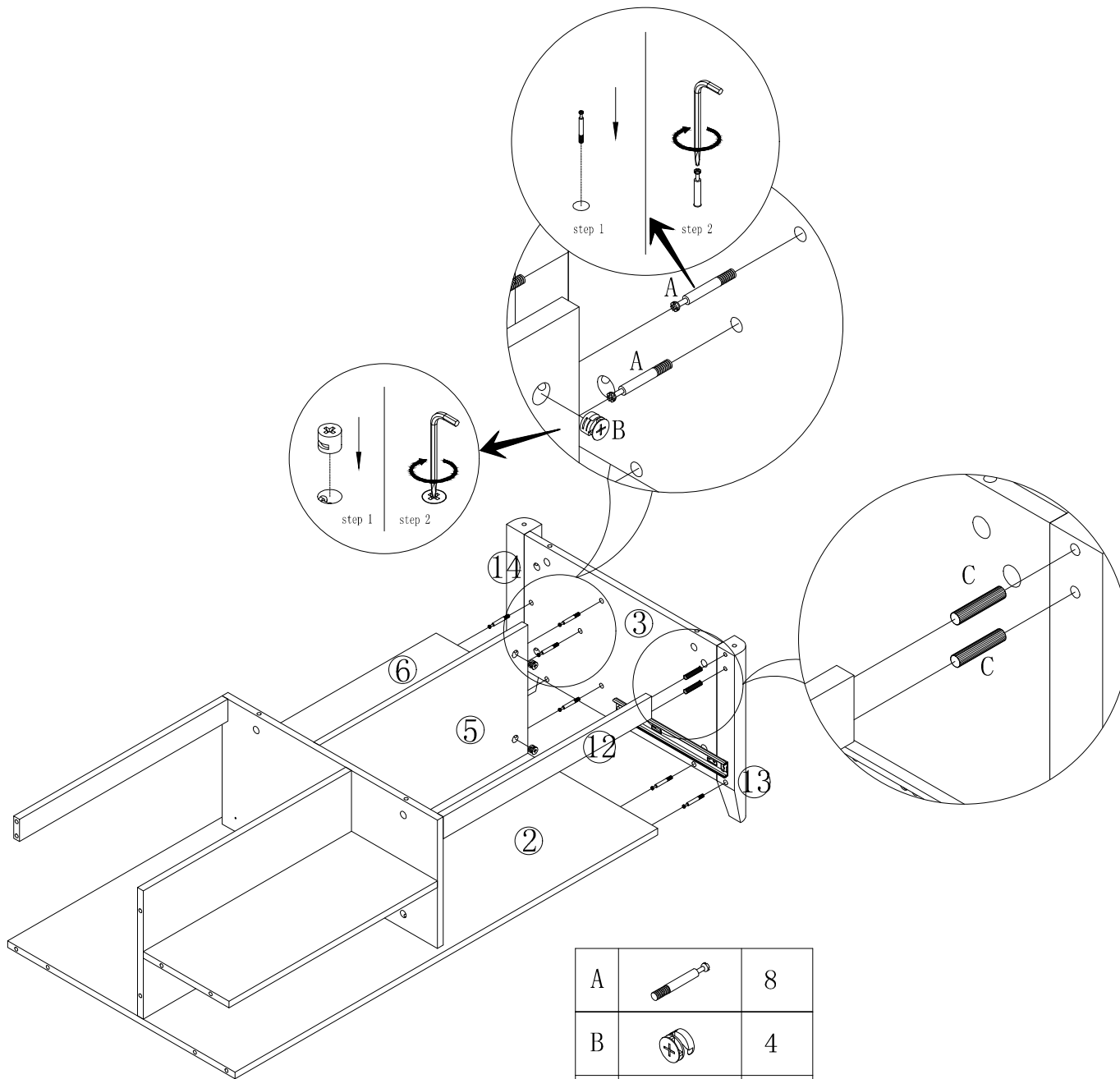


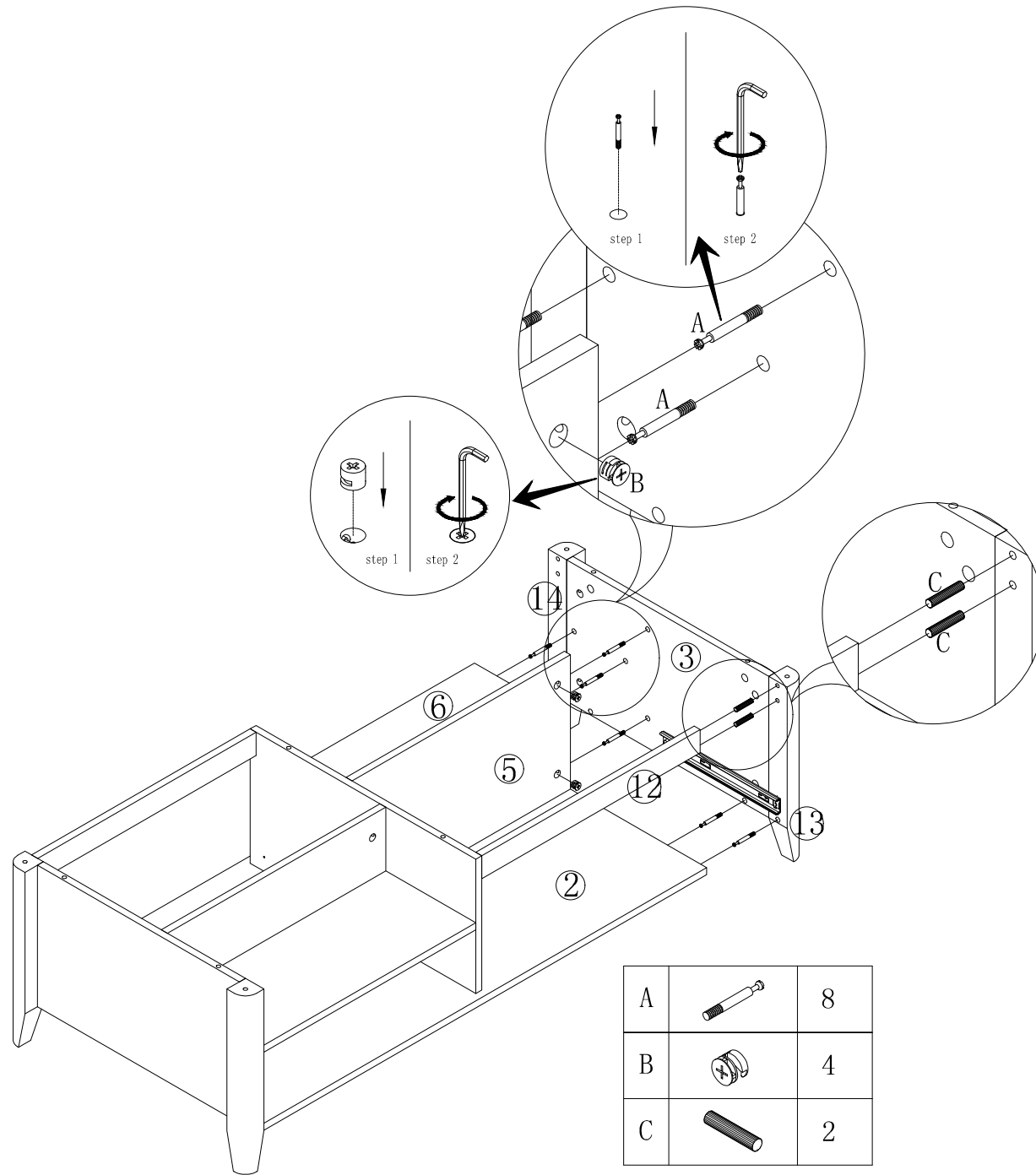
Installation of drawer guide rail.

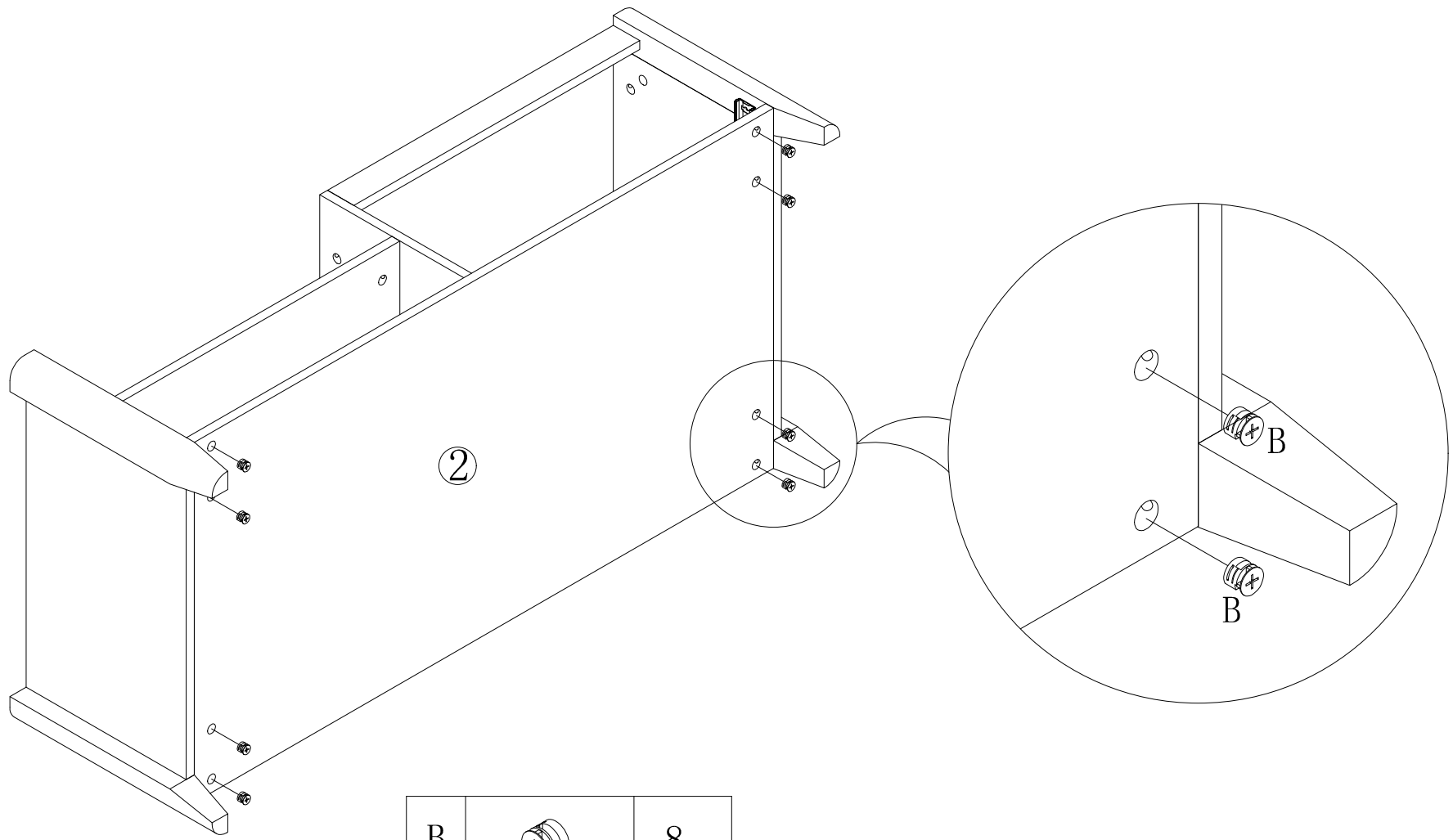





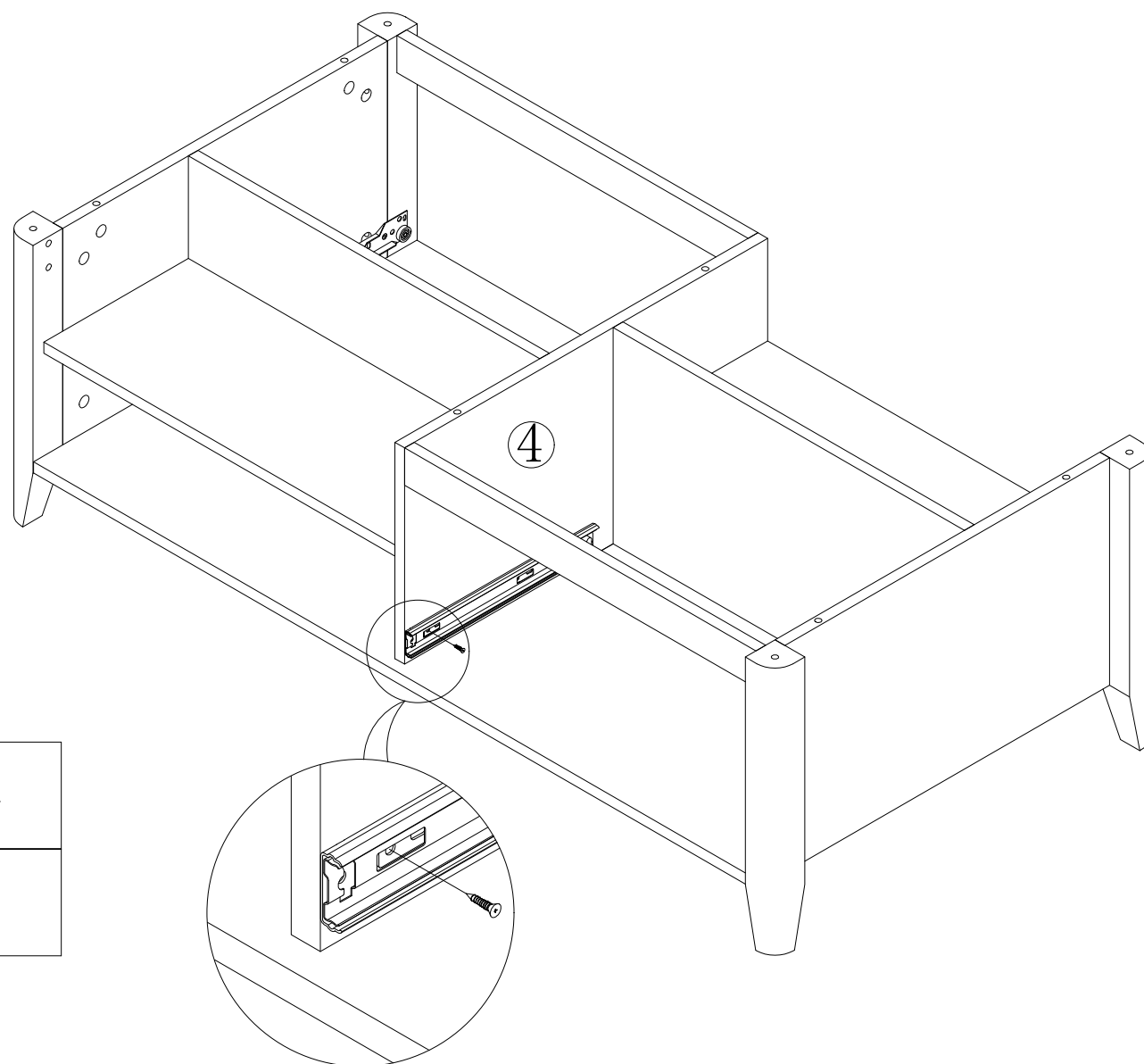
D	 3.5*14mm	4
E		2


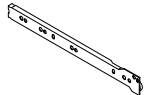







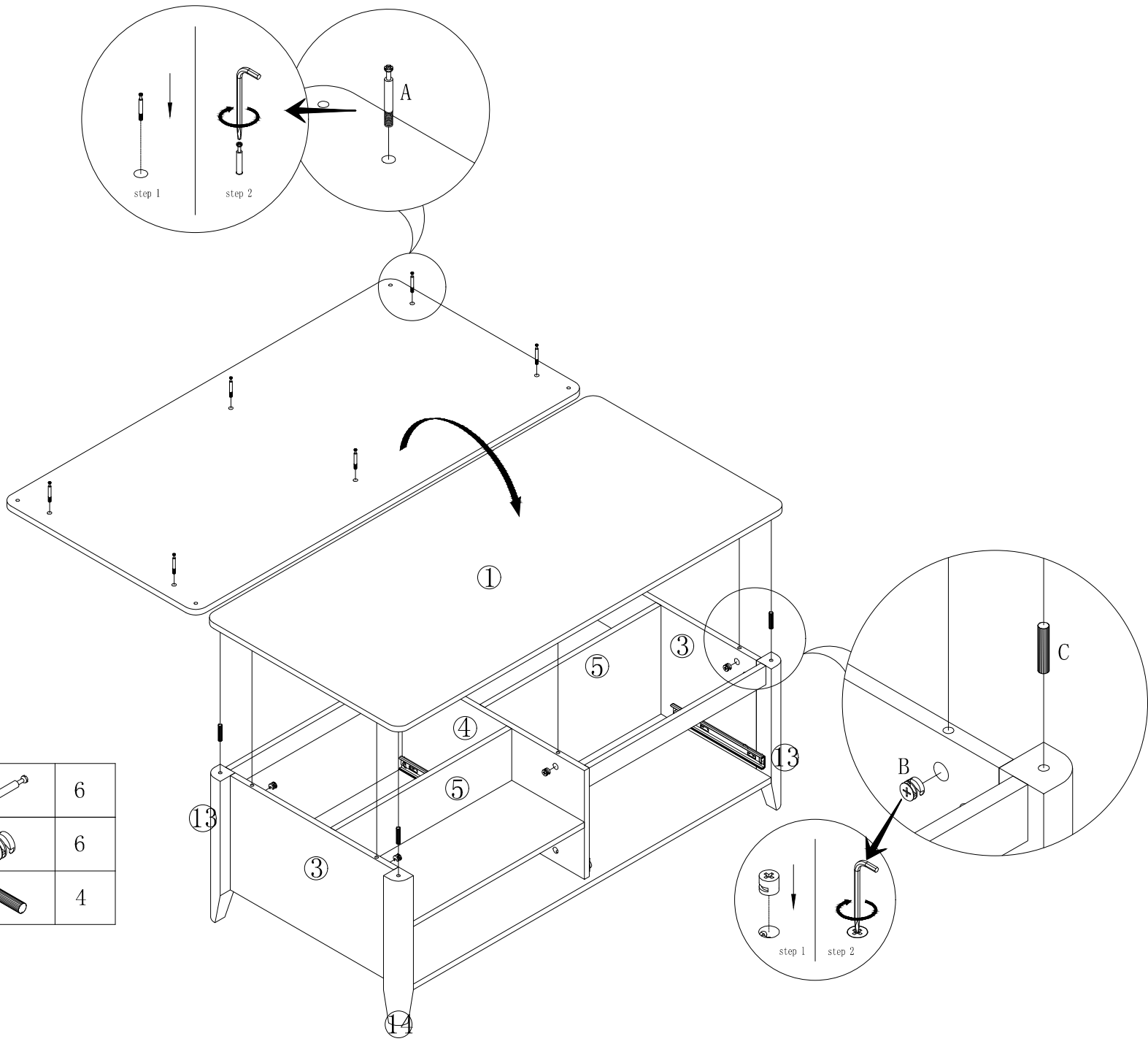


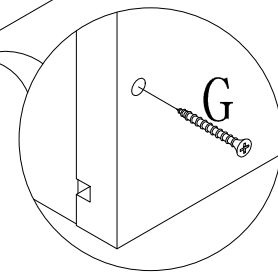
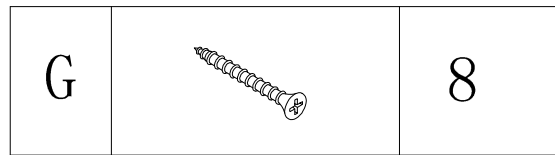
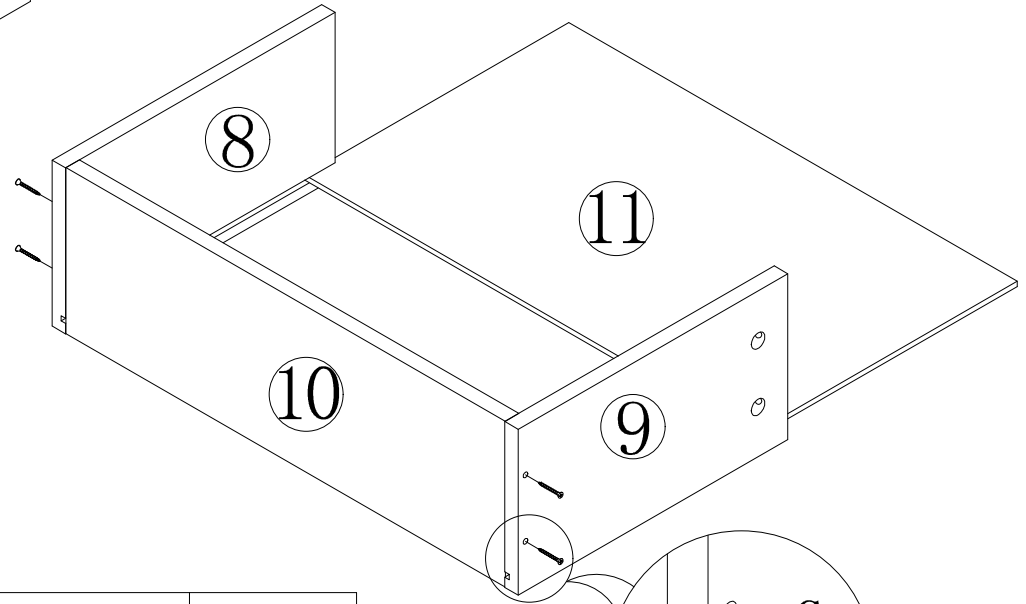
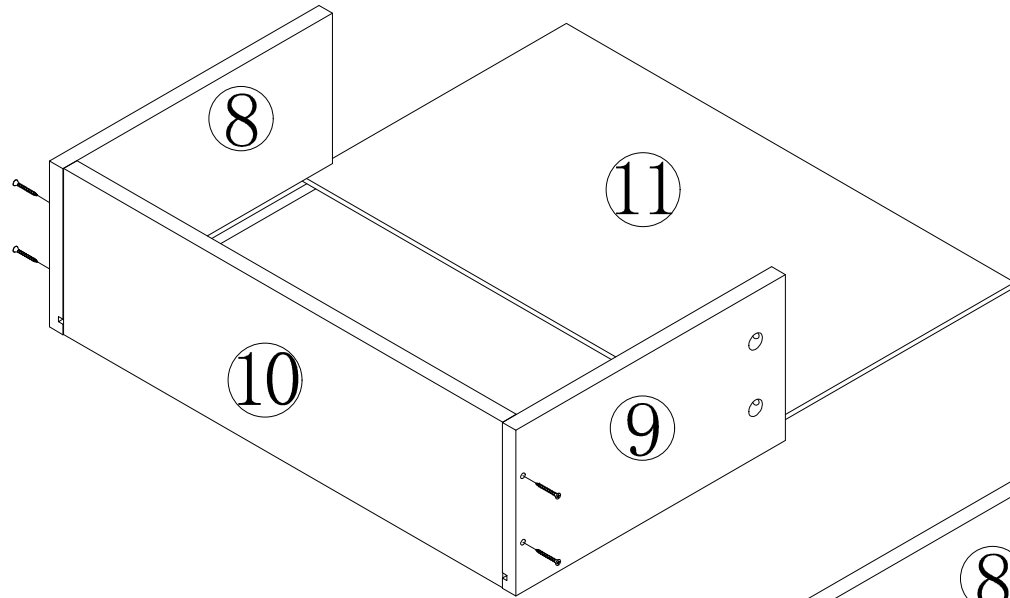
B		8
---	---	---

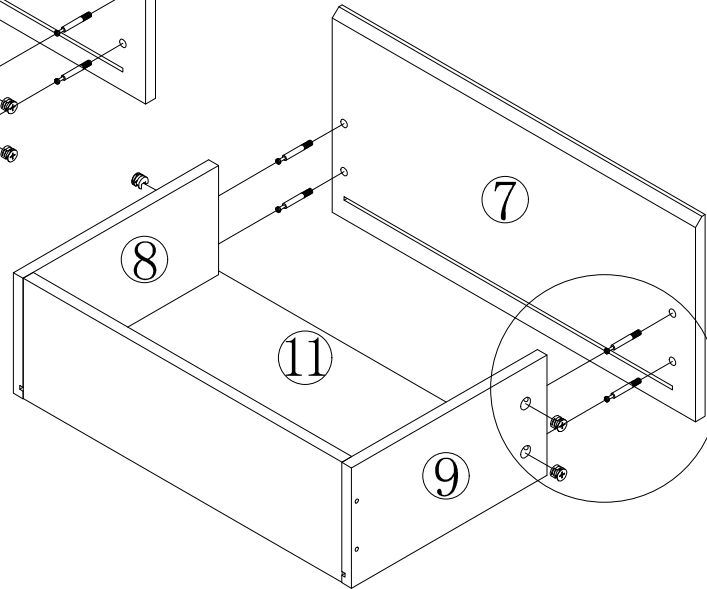
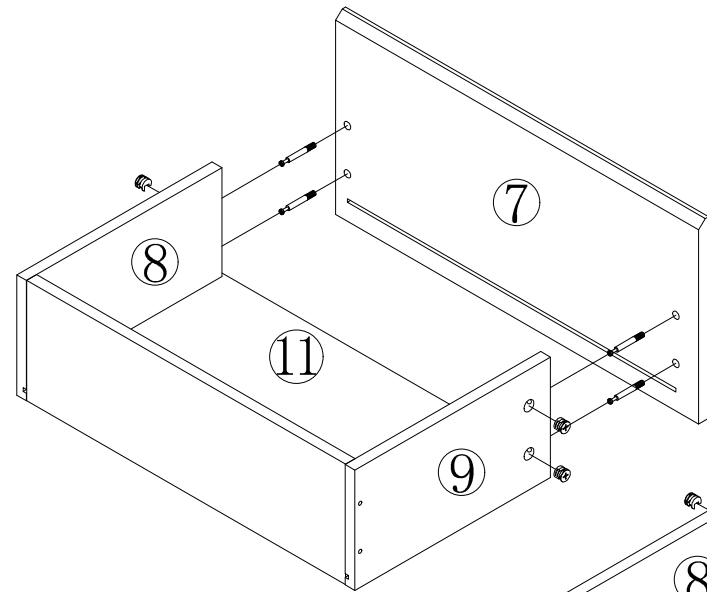


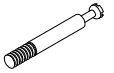

D	 3.5*14mm	4
F		2

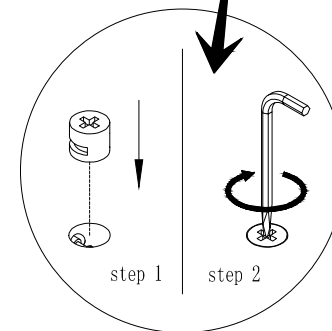
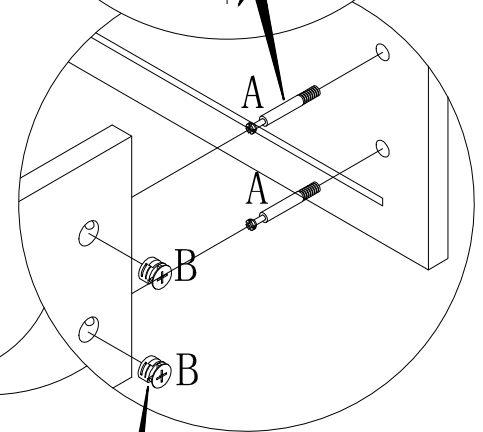
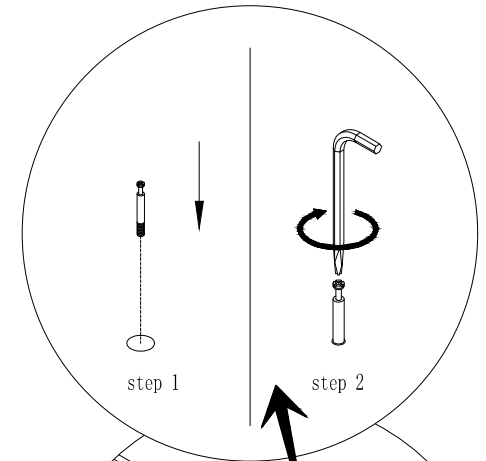
A		6
B		6
C		4

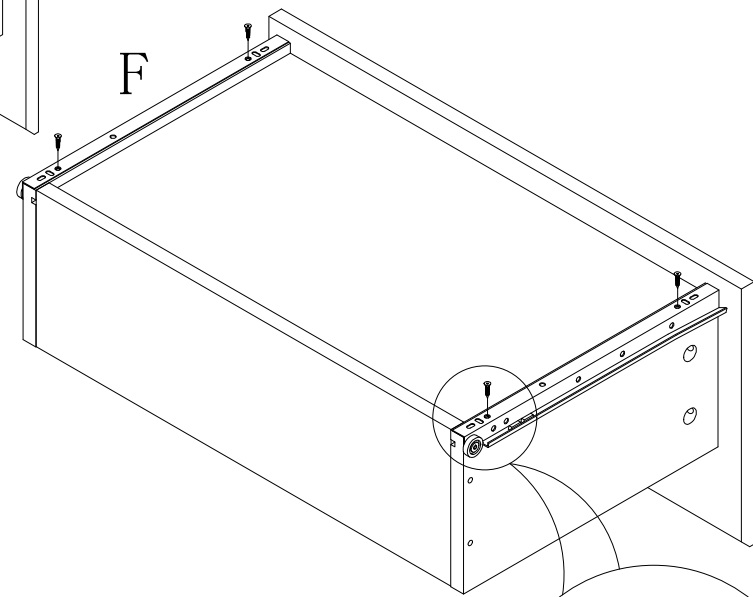
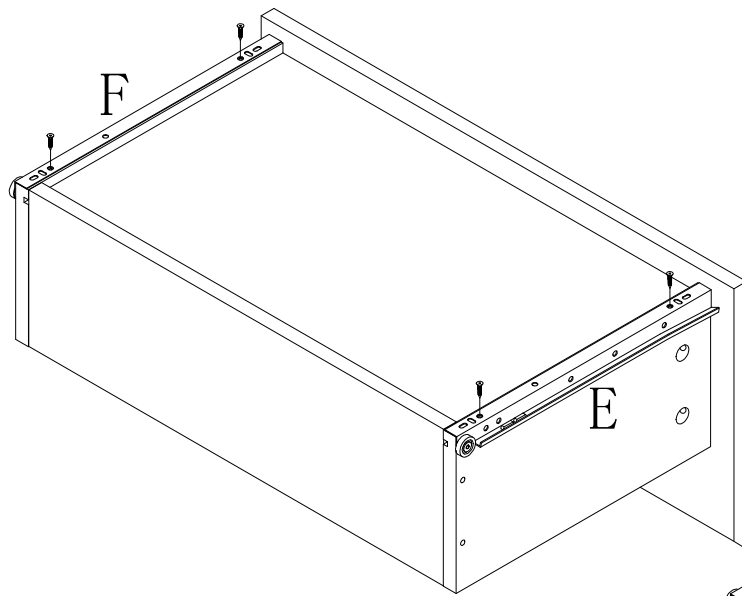



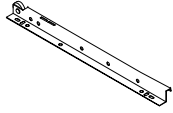



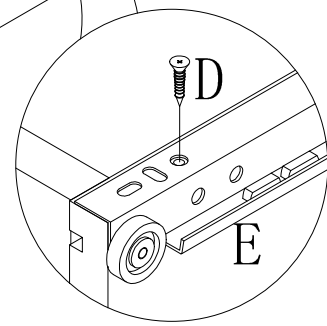


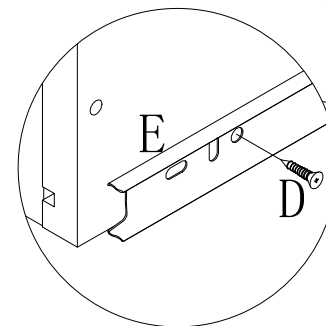
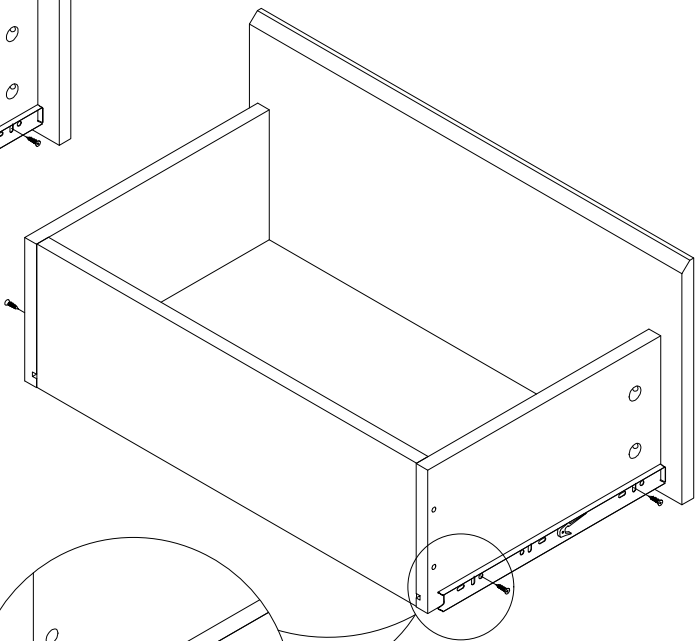
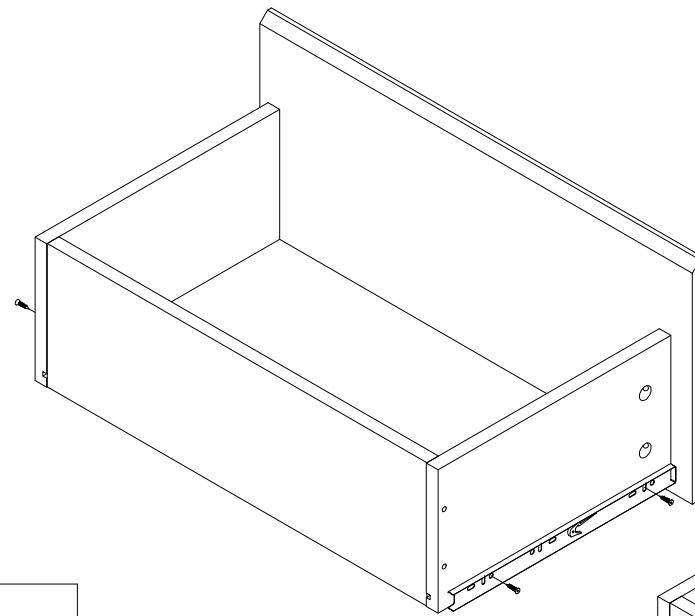
A		8
B		8







D	 3.5*14mm	8
E		2
F		2





D	 3.5*14mm	8
E		2

