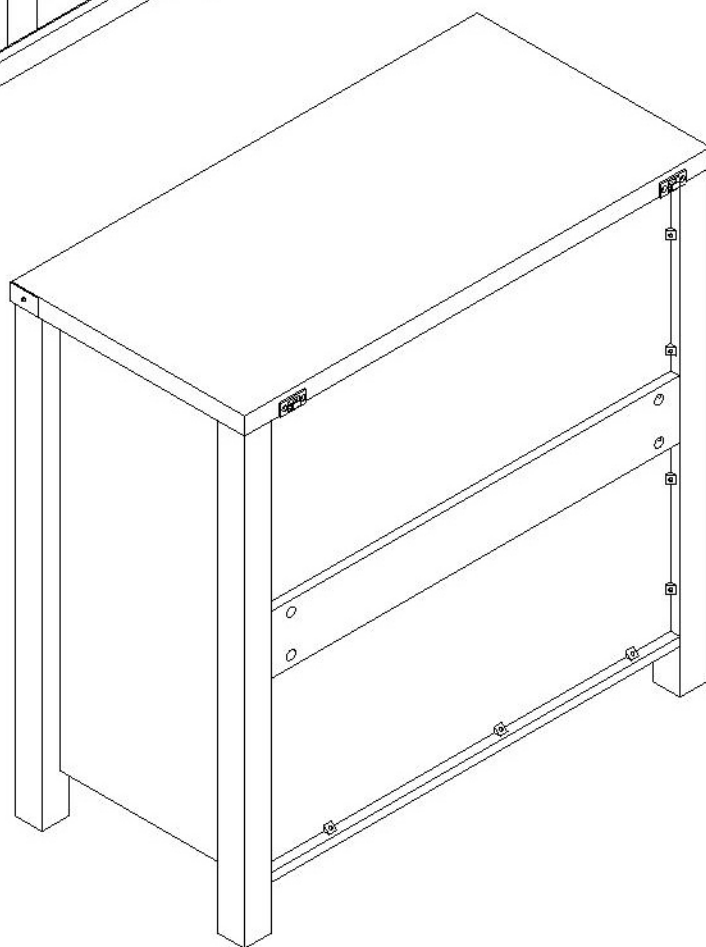
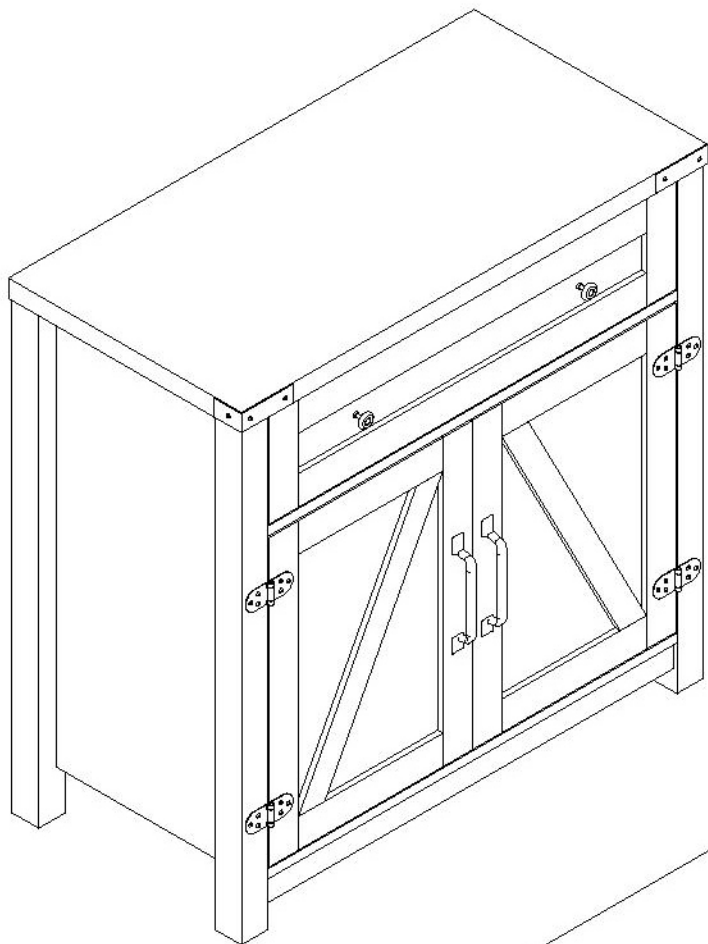












User Manual

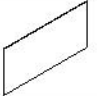

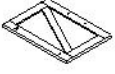



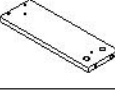




ASSEMBLY INSTRUCTION









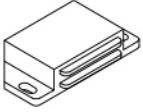
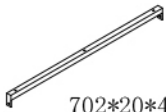
CD-070

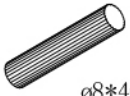


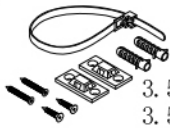
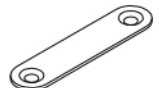


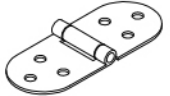
Parts List







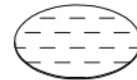
NO.	Drawing	Dimension	QTY
1		770*46*46mm	*1
2		770*46*46mm	*1
3		770*46*46mm	*1
4		770*46*46mm	*1
5		690*302*15mm	*1
6		690*302*15mm	*1
7		702*394*15mm	*1
8		702*40*15mm	*1
9		702*100*15mm	*1
10		702*100*15mm	*1

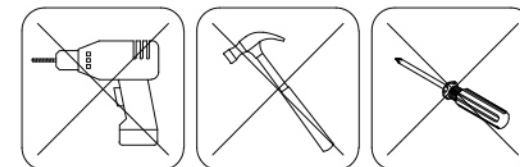
NO.	Drawing	Dimension	QTY
11		712*342*4mm	*2
12		800*400*30mm	*1
13		490*348*18mm	*1
14		490*348*18mm	*1
15		700*352*15mm	*1
16		350*120*15mm	*1
17		350*120*15mm	*1
18		698*160*18mm	*1
19		334*80*15mm	*1
20		657*344*4mm	*1
21		647*120*15mm	*1

Hardware Fitting

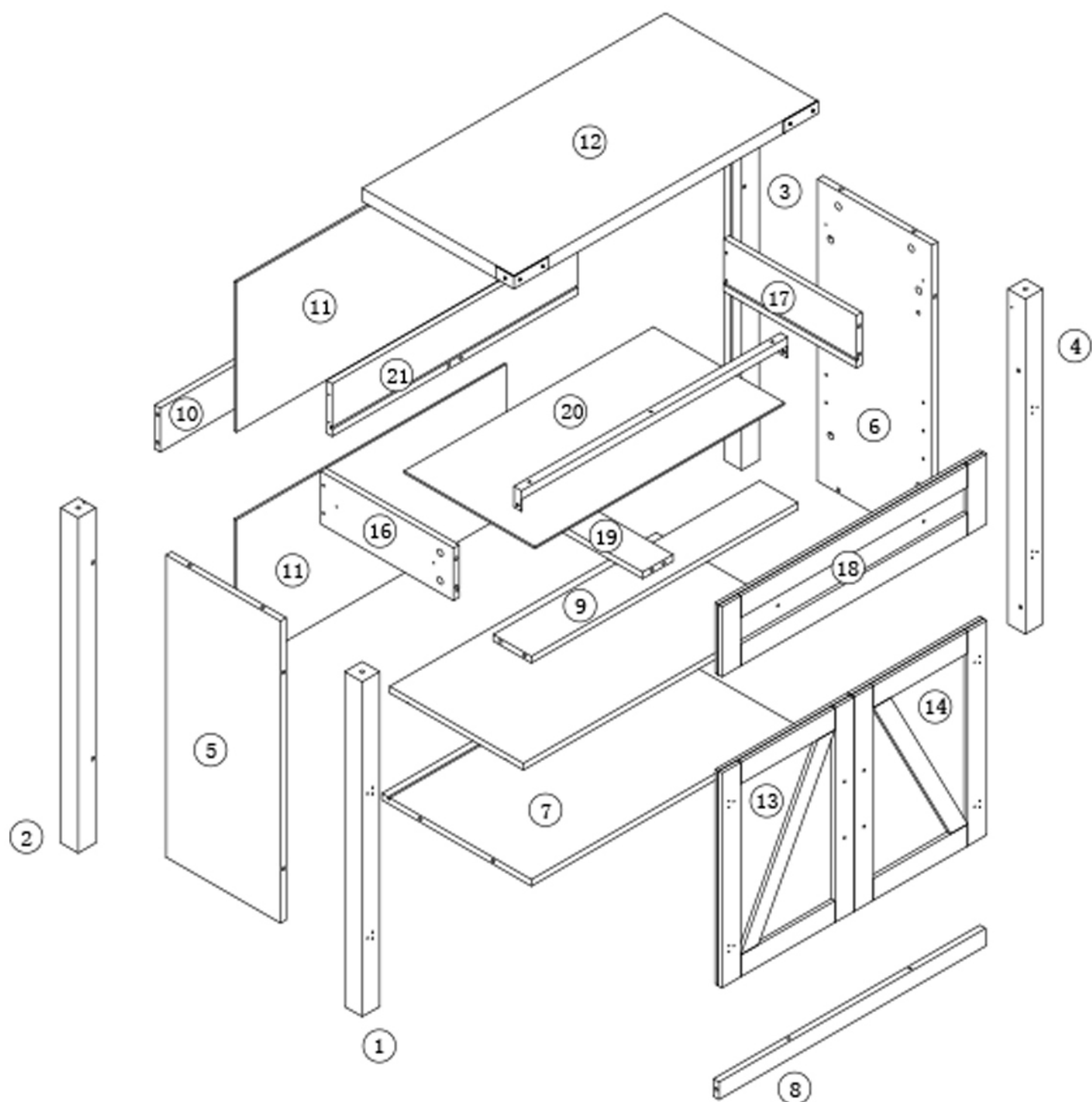
NO.	Drawing	QTY
A		*34
B		*34
C		*2
D	 3.5*14	*21
E		*2
F		*2
G		*2
H	 702*20*47mm	*1

NO.	Drawing	QTY
J	 ø8*40mm	*4
K		*14
L	 3.0*14mm	*14
M	 3.5*35mm 3.5*14mm	*2
N		*2
O		*2
P	 4*20mm	*4
Q		*4

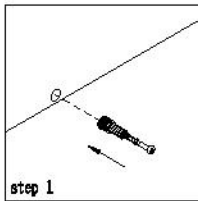
NO.	Drawing	QTY
R	 3.5*14mm	*24
S	 5*14mm	*4
T	 3.5*35mm	*4
U		*2
V	 4*12mm	*2
	 4mm	*1
		*36



Split Graph

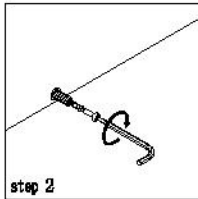


Cam Coupling Using Methods



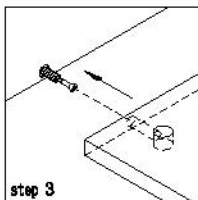
Step1.

Connect the cam coupling A as directed in the assembly instructions using hand.



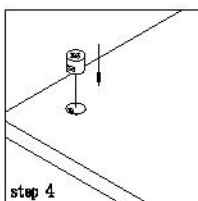
Step2.

Screw the cam coupling A as directed in the assembly instructions.



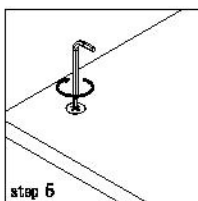
Step3.

Push the cam coupling A into the entry hole.



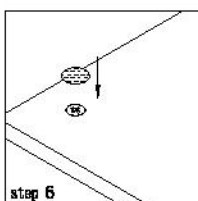
Step4.

Insert the cam coupling B as shown in the instructions.



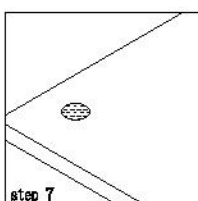
Step5.

Turn the cam coupling B clockwise with a screwdriver.



Step6.

Put on Beautycam.



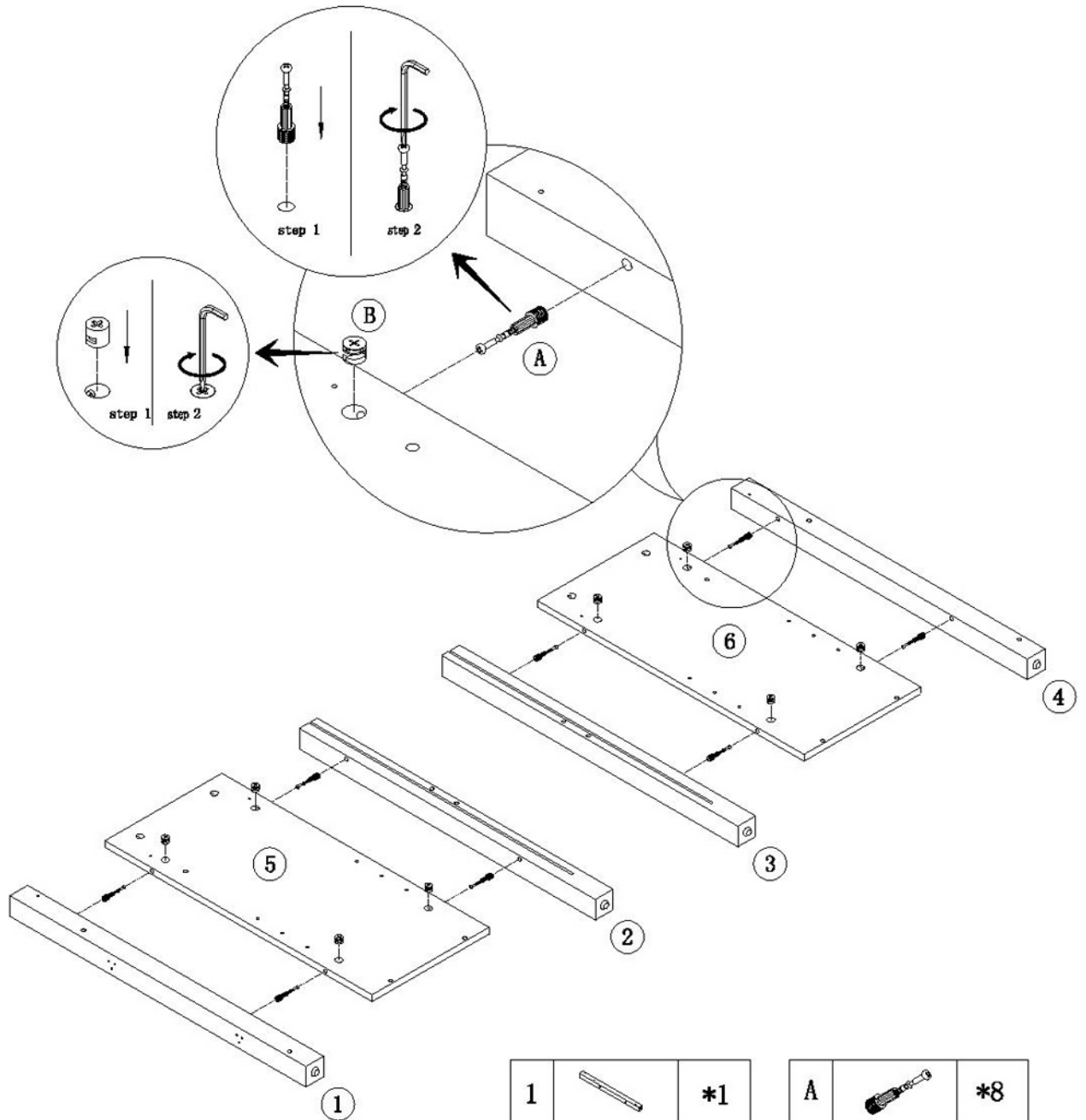
Step7.

Finished.

You should feel a click when the camlock is locked in place.

The joint is now secure.

**Note: Cam Coupling Using Methods,
please refer to Page No.5**



1		*1
2		*1
3		*1
4		*1
5		*1
6		*1

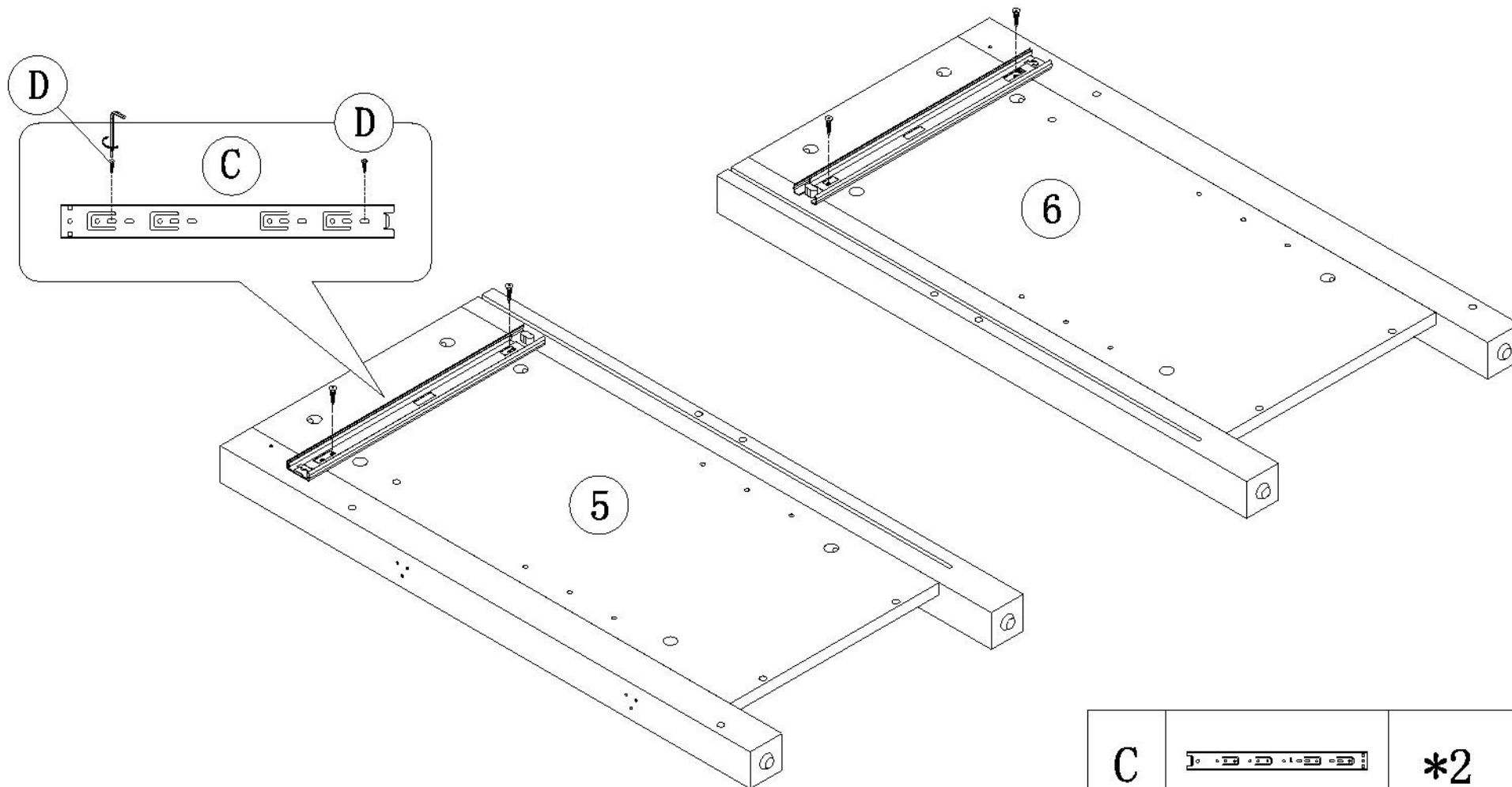
A		*8
B		*8

Step 1.

Connect Panel 1 and Panel 2 to Panel 5,
and Connect Panel 3 and Panel 4 to


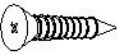
Panel 6 with Cam Coupling A&B,



please watch the right side of Panel 2 and Panel 3.





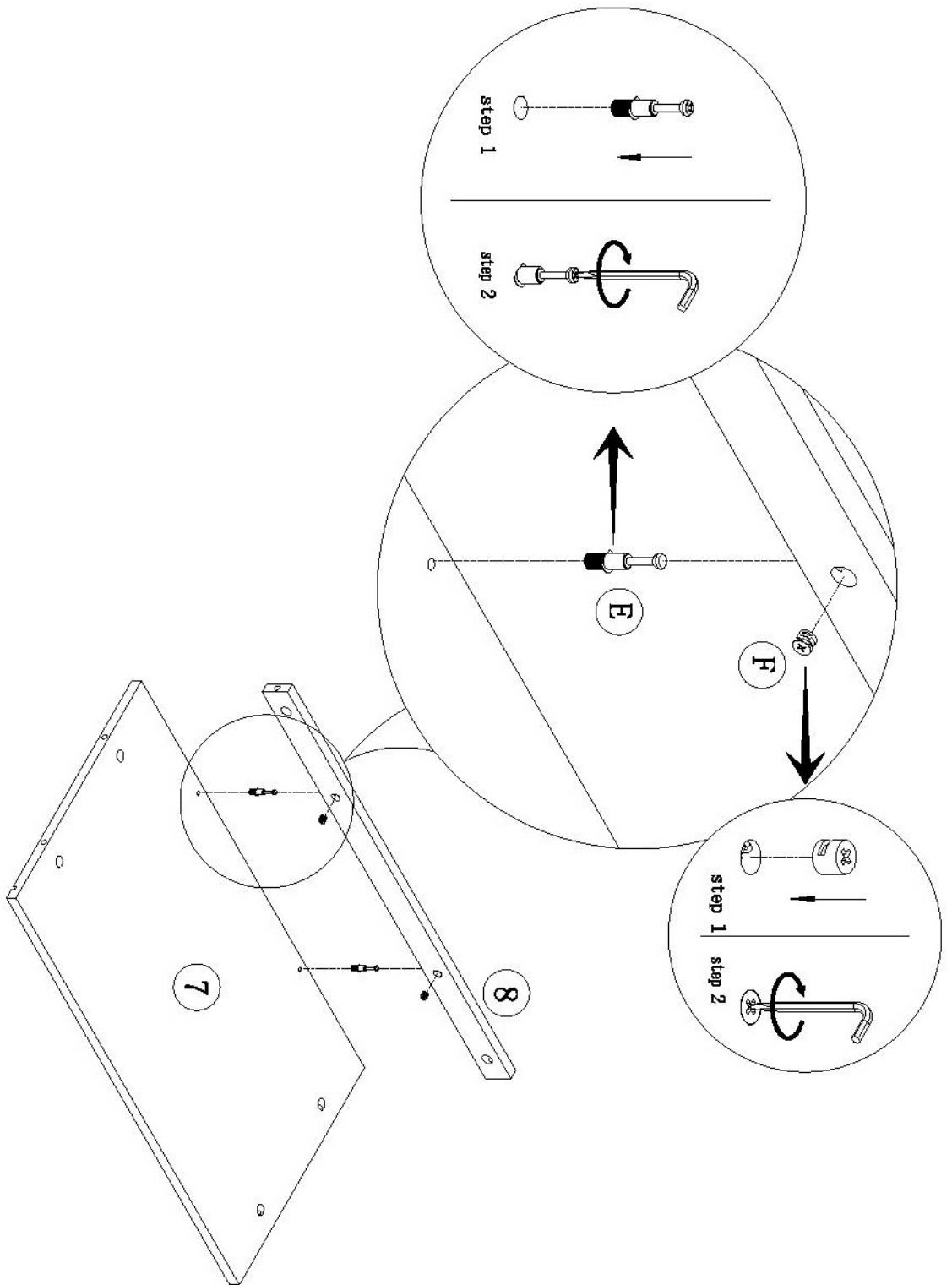
Step 2.

Put on guide rail C on panel 5 and panel 6 with screw D.

C		*2
D	 3.5*14	*4

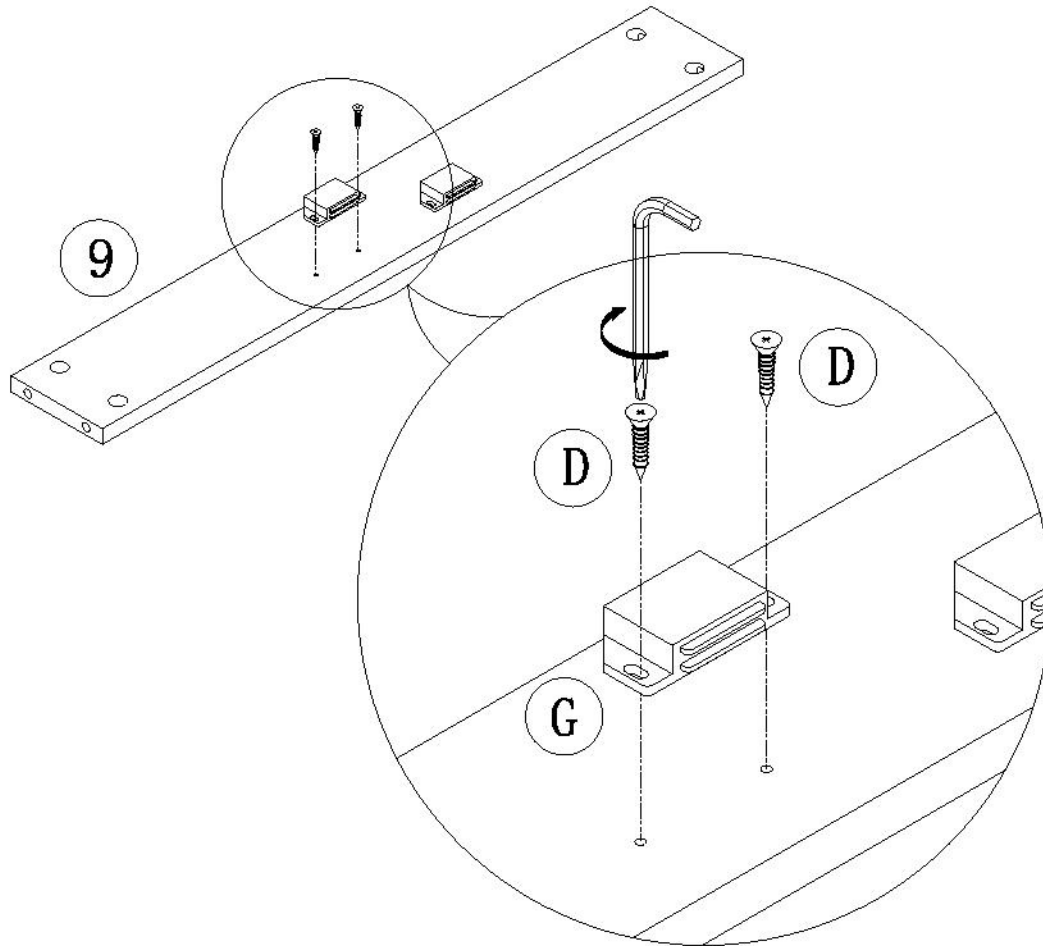
7		*1
8		*1

E		*2
F		*2



Step 3.

Connect Panel 8 to Panel 7 with Cam Coupling E&F.

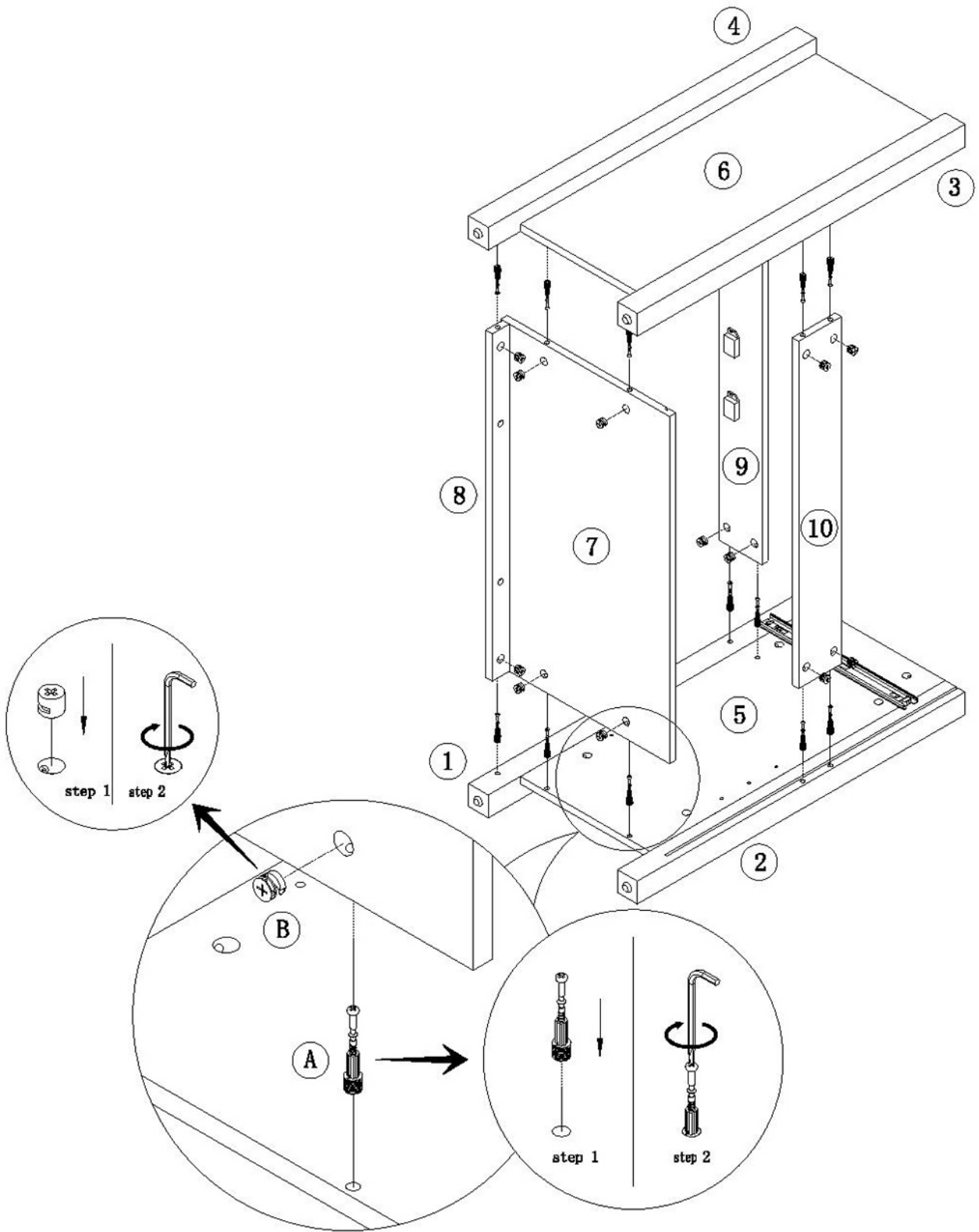


9		*1
---	--	----



G		*2
D		*4

Step 4.

fix the magnetic lock G on Panel 9 with screw D.



10		*1
----	---	----

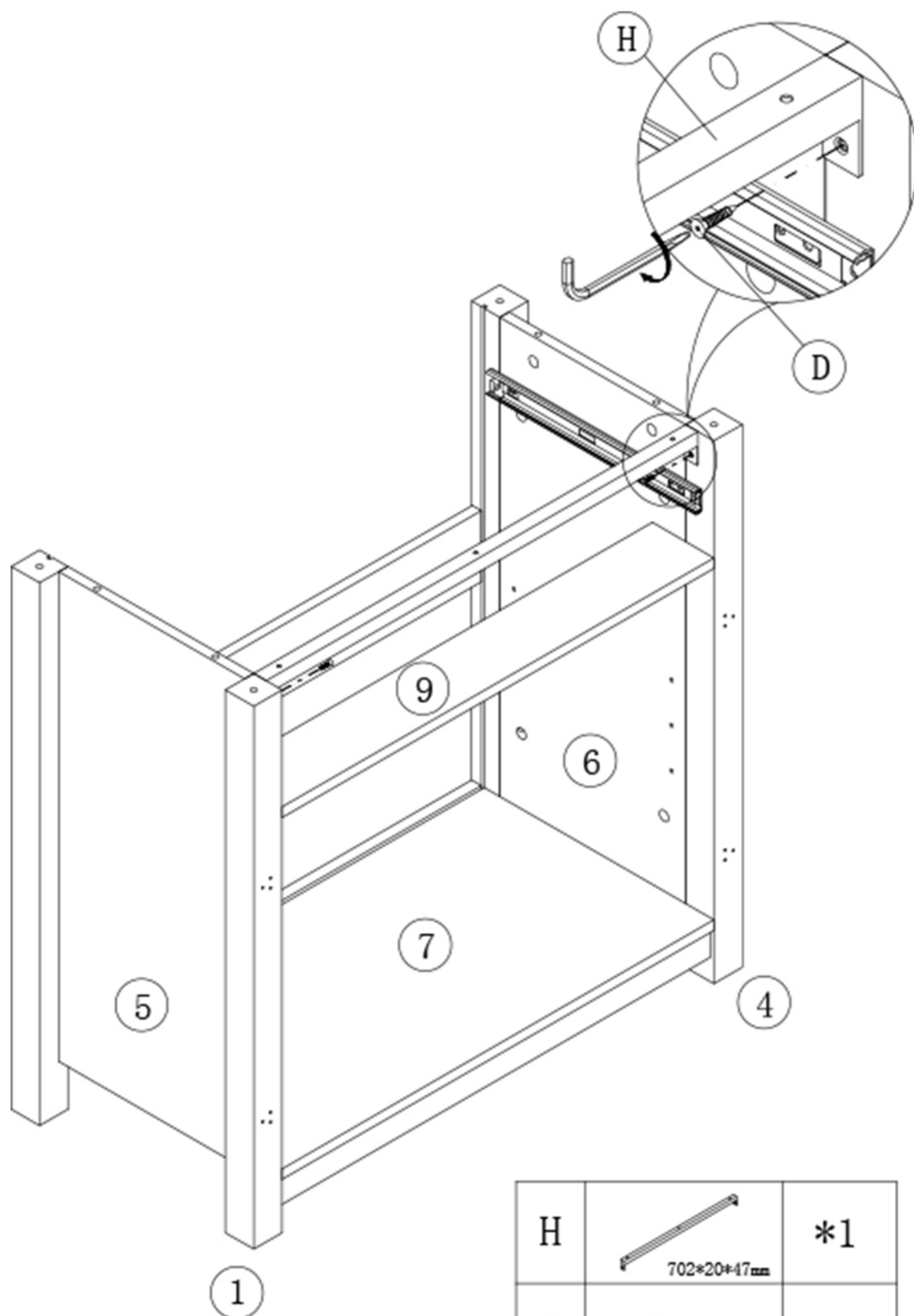
A		*14
B		*14

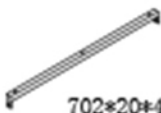

Step 5.

**Connect Panel 7,8,9,10 to Panel 1,2,5 with Cam Coupling A&B;
Connect Panel 7,8,9,10 to Panel 3,4,6 with Cam Coupling A&B.**

Step 6.

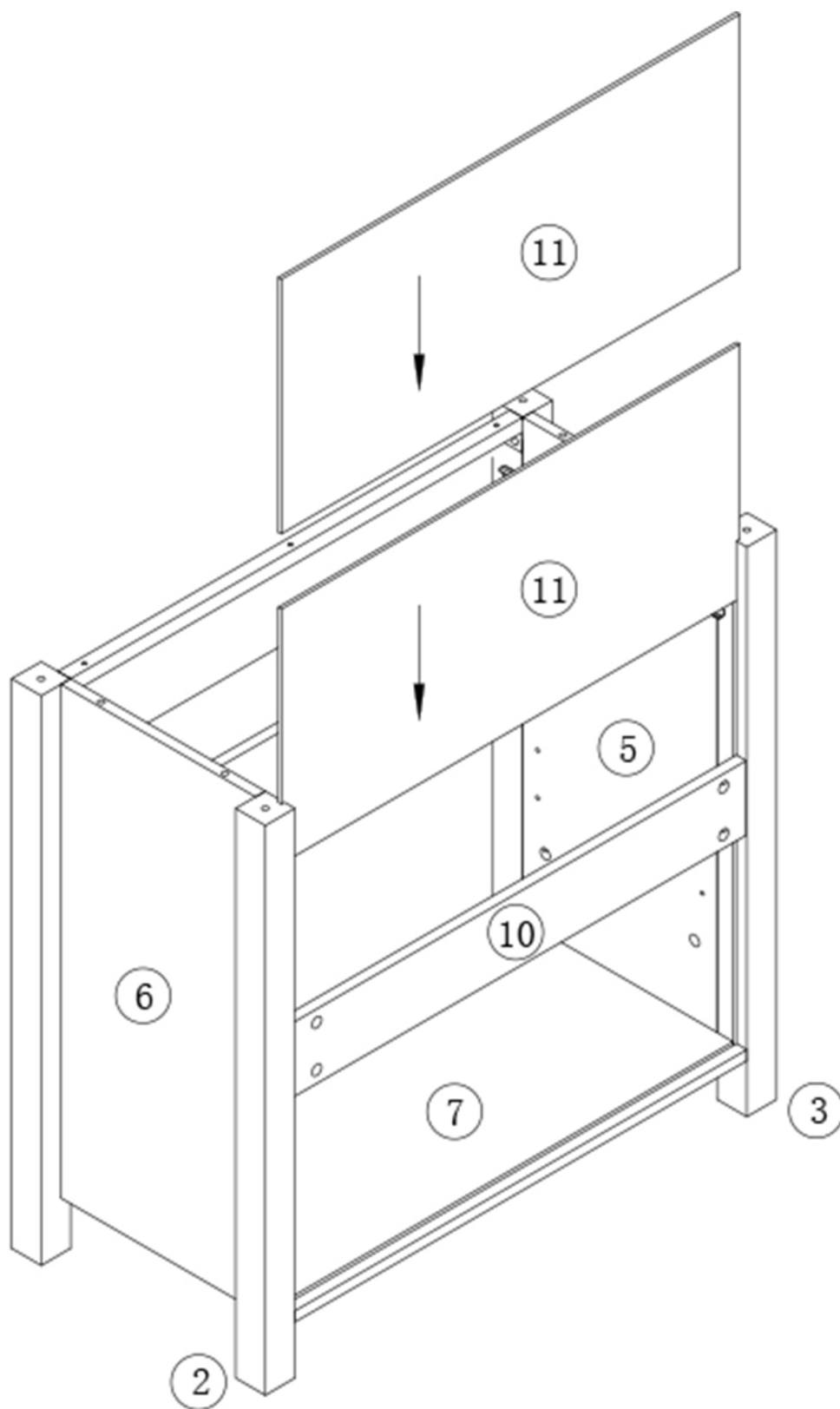
fix Beam H on Panel 1,4 with Screw D .

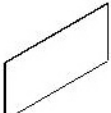


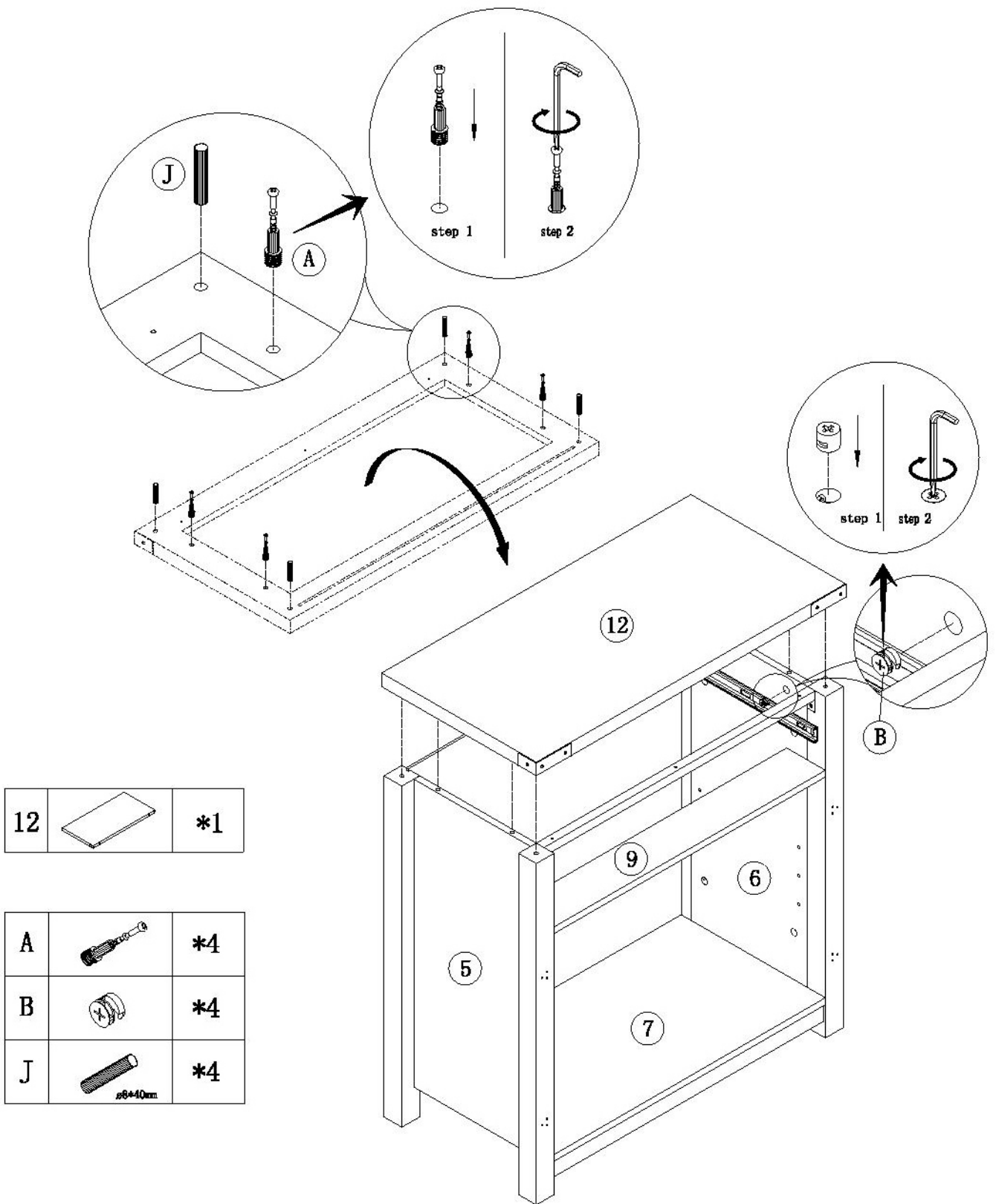
H	 702*20*47mm	*1
D	 3.5*14mm	*2

Step 7.

Insert two pieces of Panel 11 into Panel 2,3.

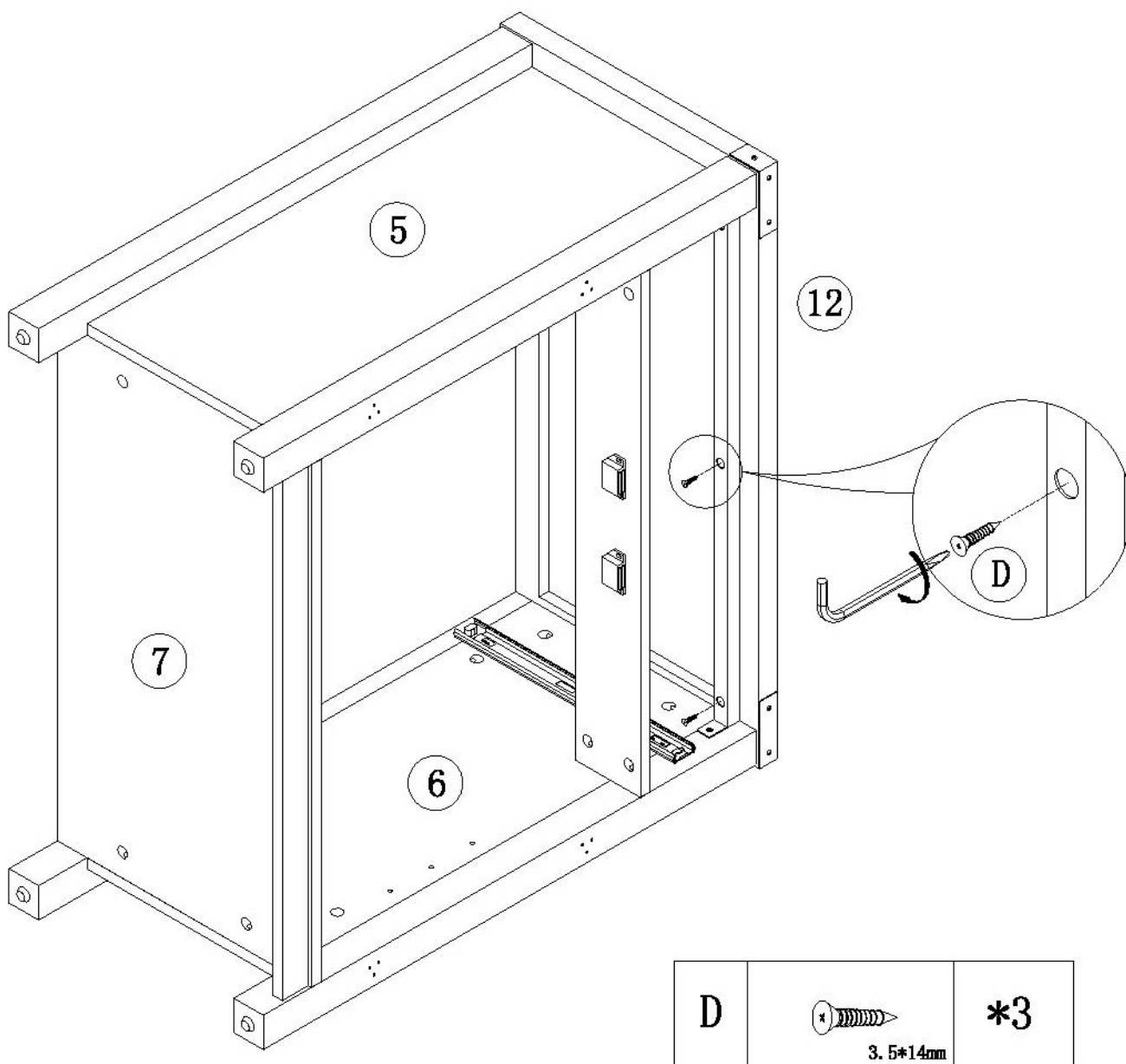


11		*2
----	---	----



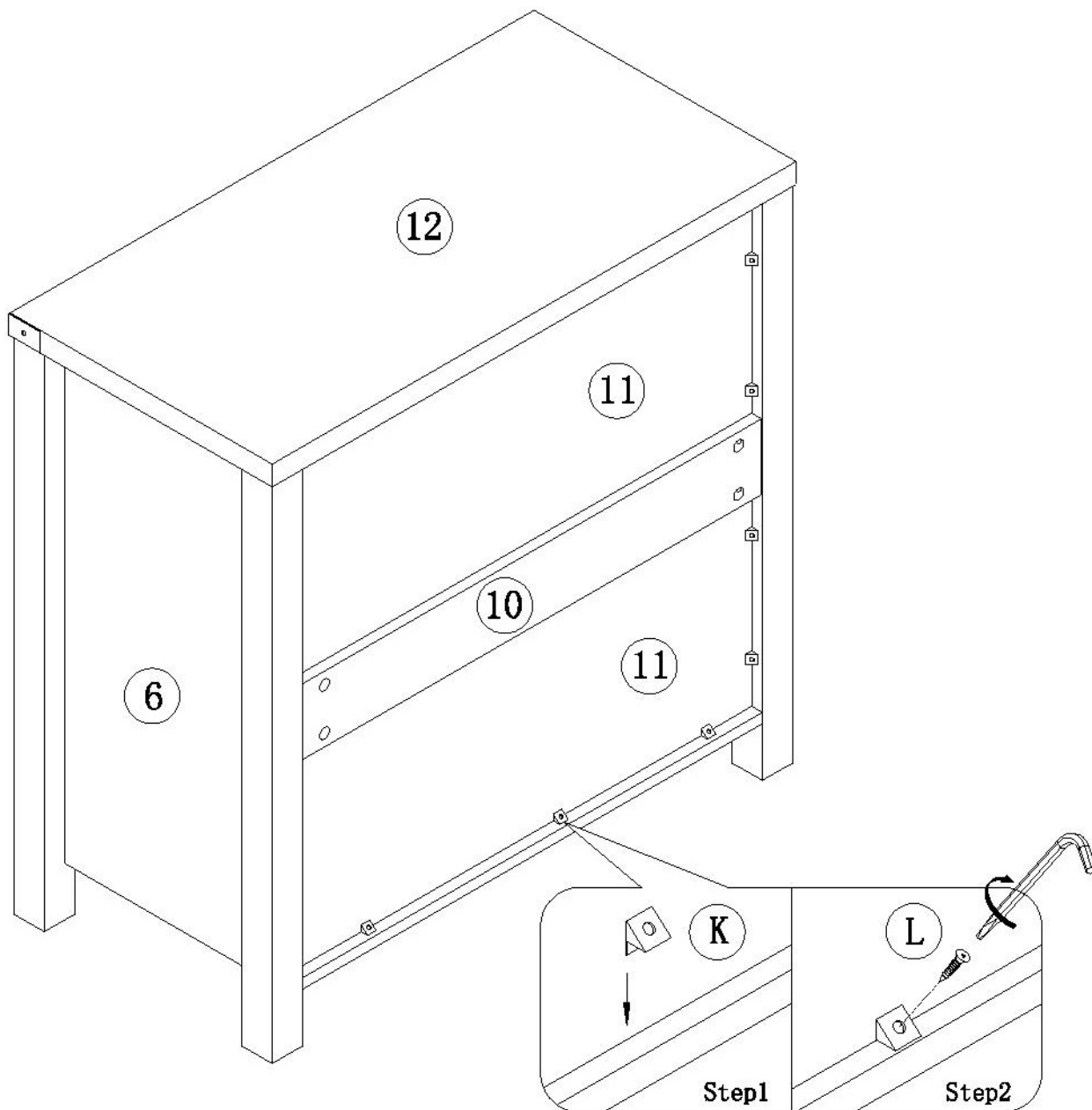
Step 8.



put cabinet top Panel 12 on the cabinet body,
and fix them with Cam Coupling A&B.



Step 9.

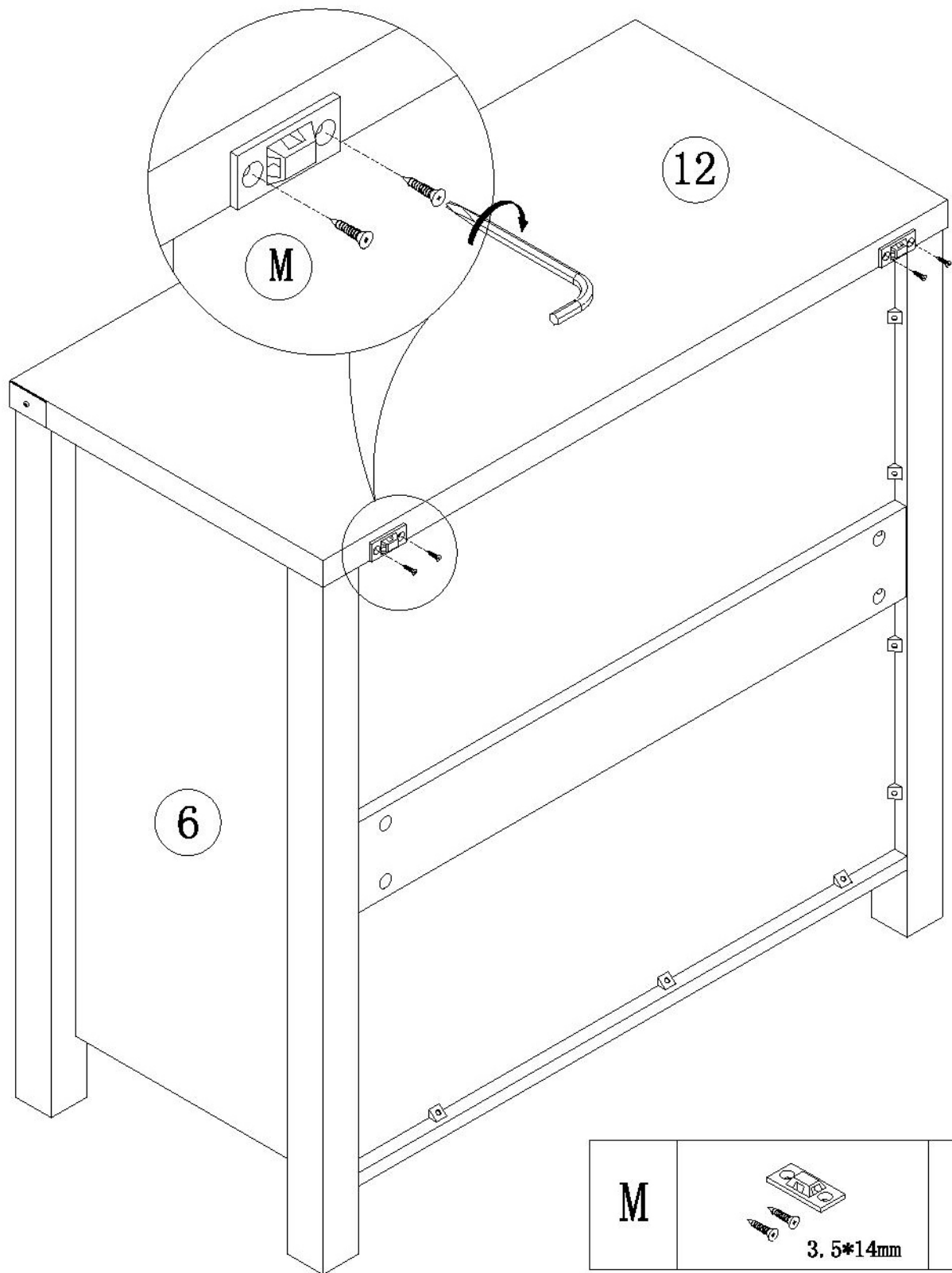
Strengthen the beam H and the cabinet top panel 12 with screw D.



K		*14
L	 3.0*14mm	*14

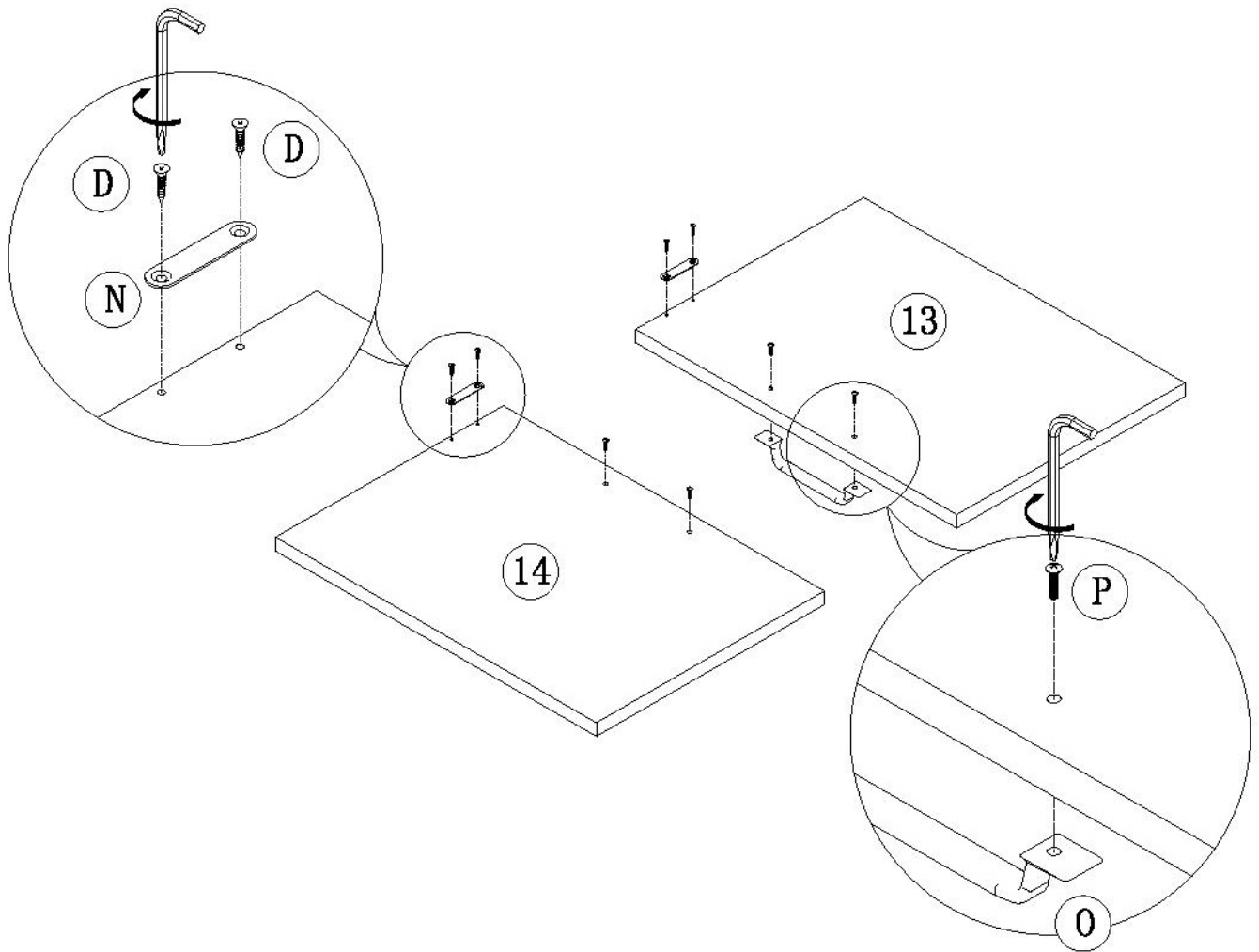
Step 10.

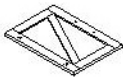
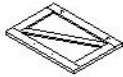
**Strengthen two pieces of Panel 11
with component K by screw L.**


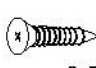
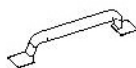



Step 11.

fix M on panel 12 (on the background side).

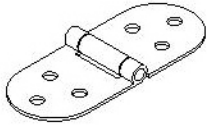
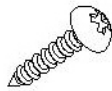


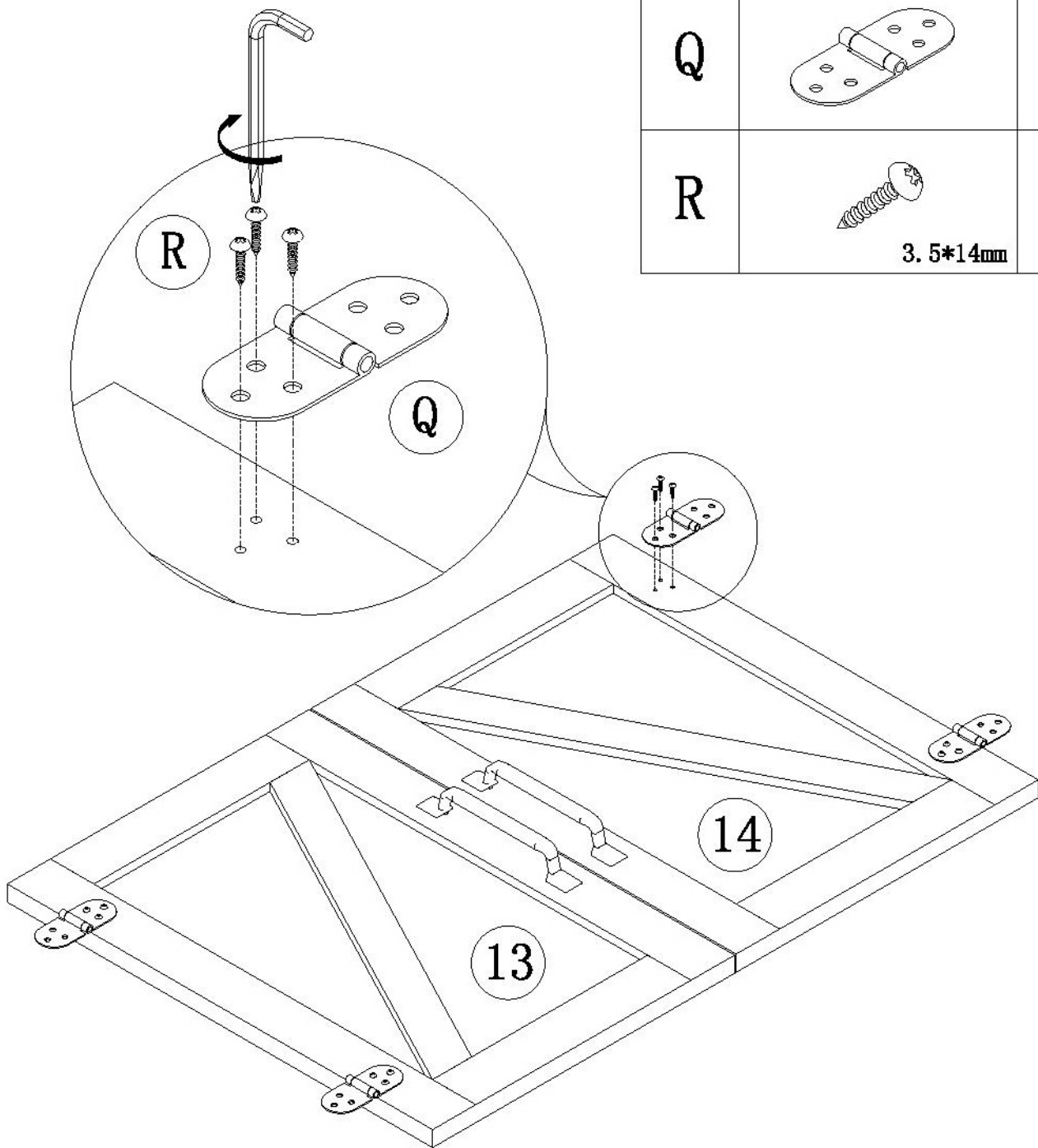
13		*1
14		*1

N		*2
D	 3.5*14mm	*4
O		*2
P	 4*20mm	*4

Step 12.

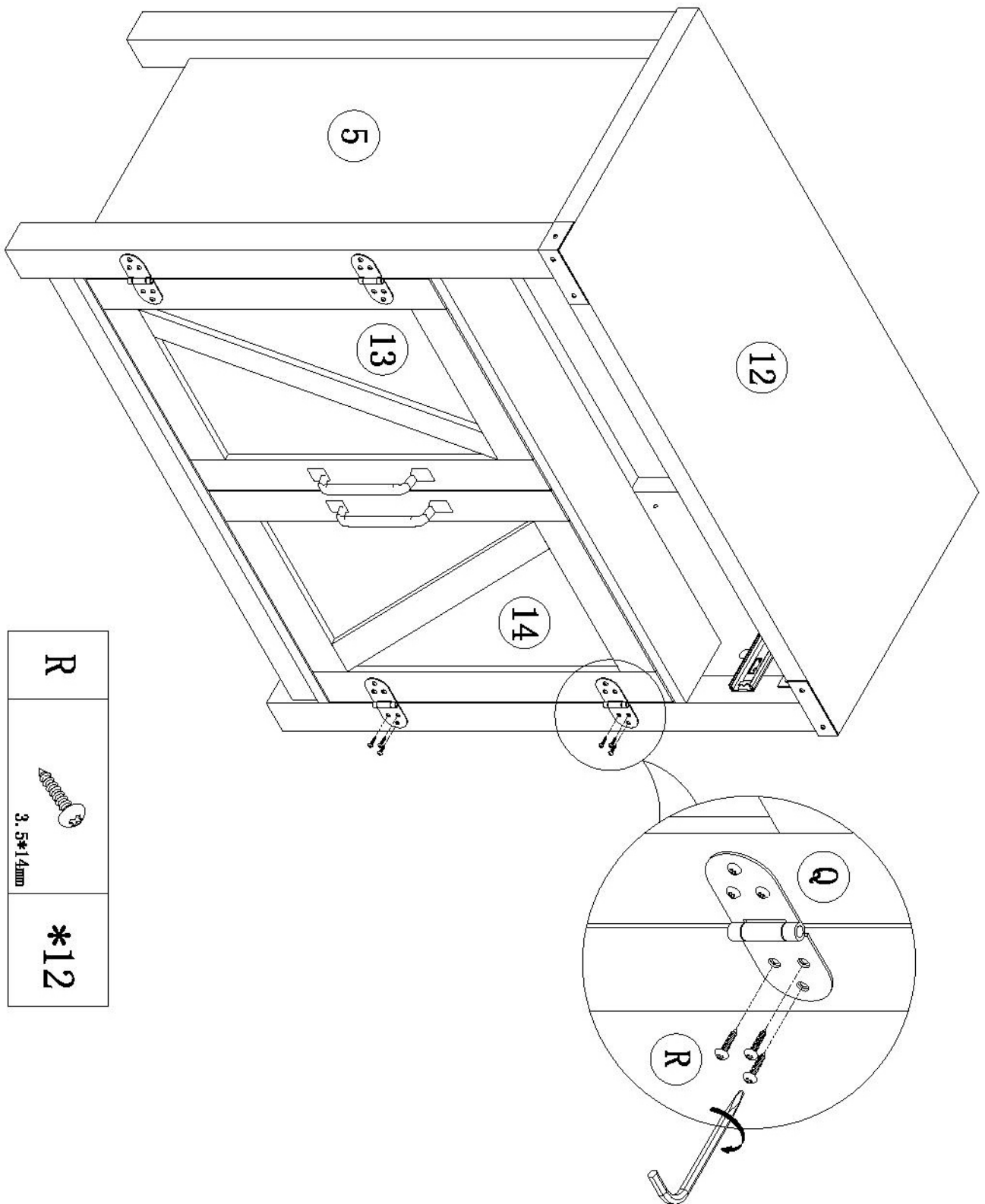
**Fix the Handle O on the doors Panel 13,14 with Screw P;
fix the metal part N on the doors Panel 13,14 with Screw D.**

Q		*4
R	 3.5*14mm	*12



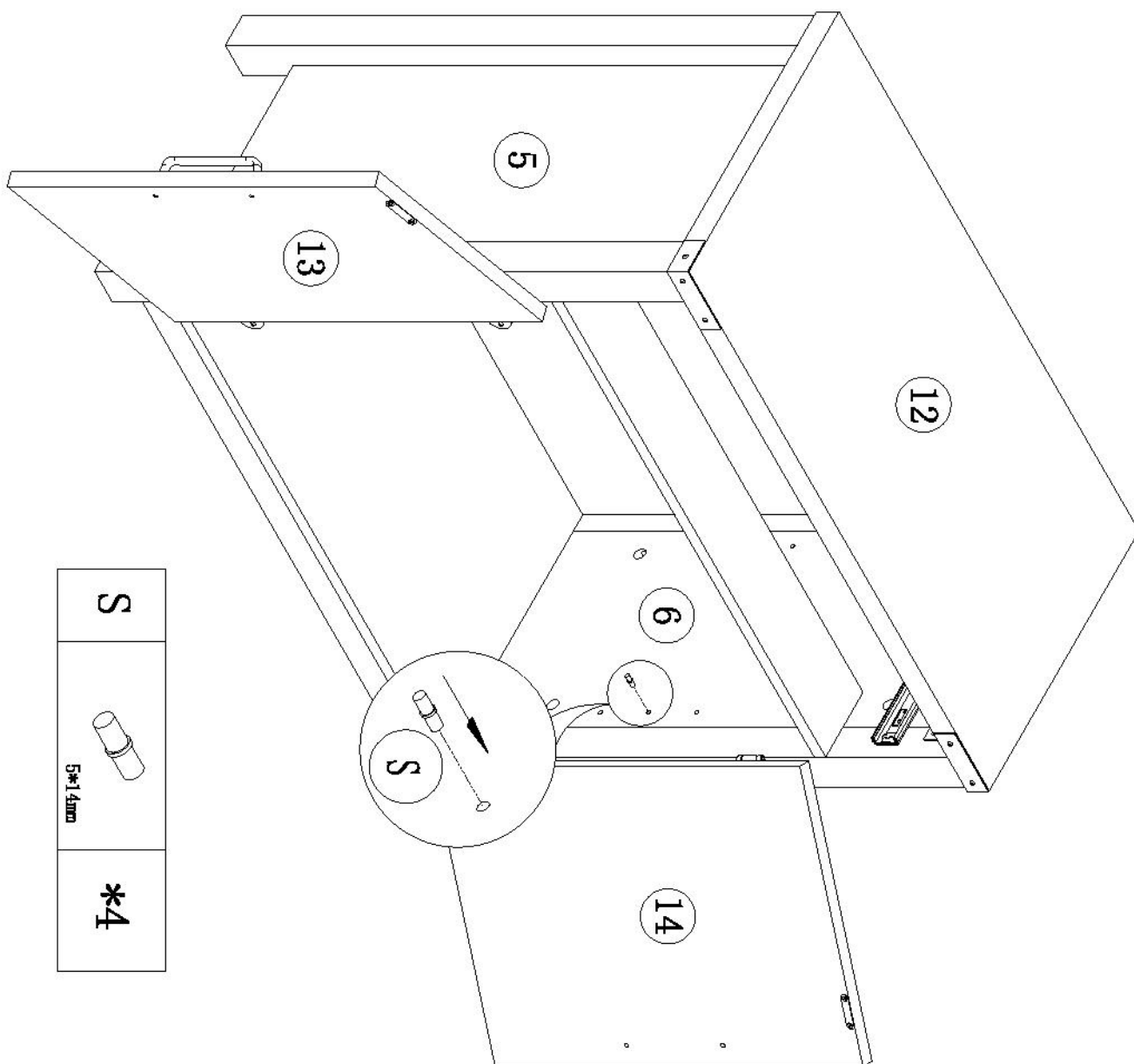
Step 13.

Fix the Hinge Q on the doors Panel 13,14 with Screw R.

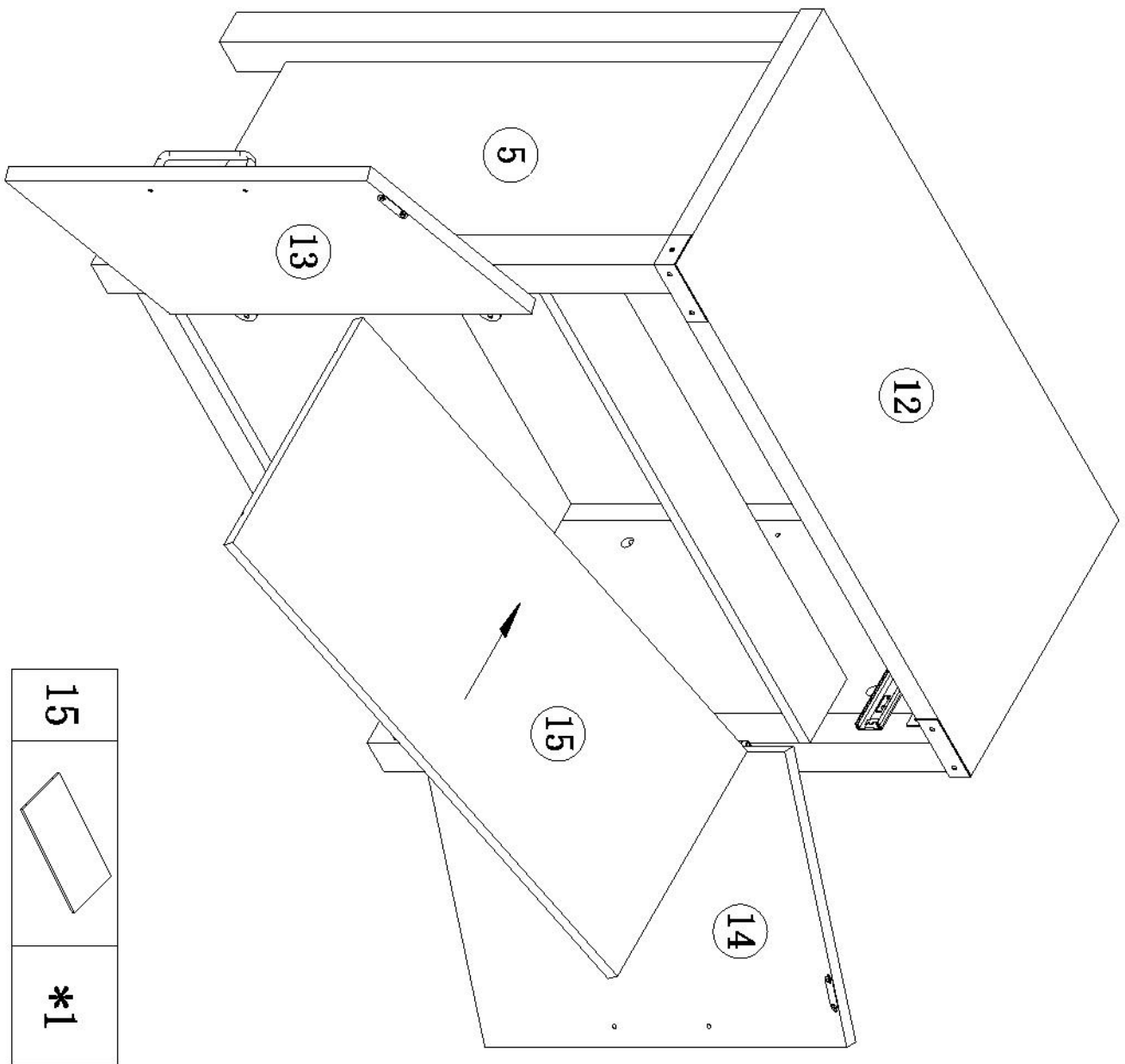


Step 14.

Connect the doors Panel 13,14
to the cabinet body with Screw R.

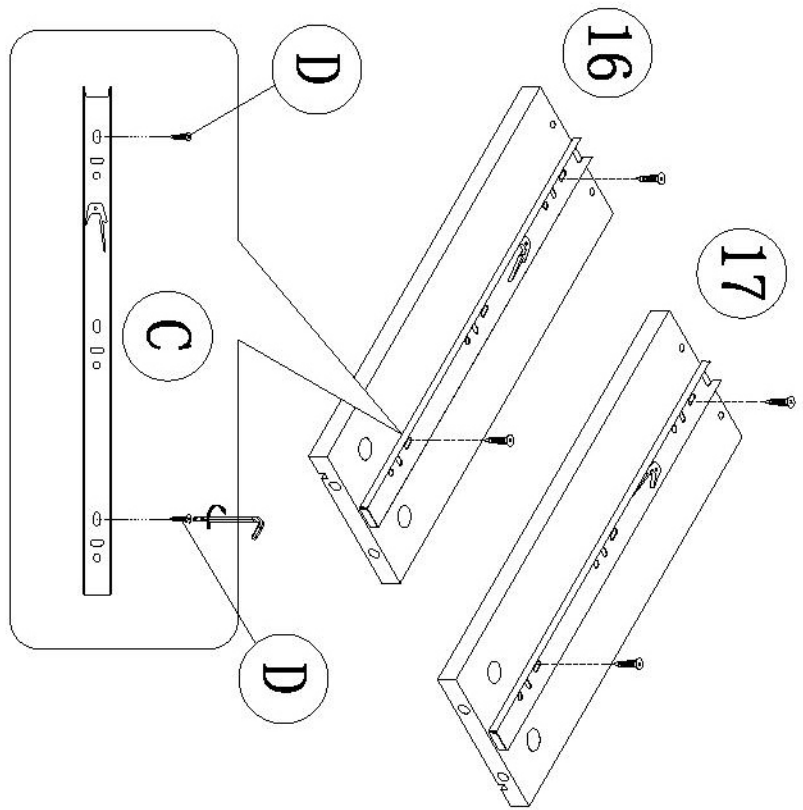


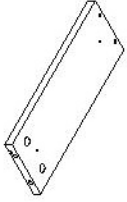
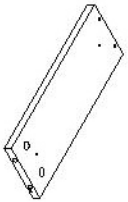
Step 15.
Insert metal part S into Panel 5,6.


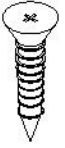


Step 16.

Put on Panel 15 on the metal part S.

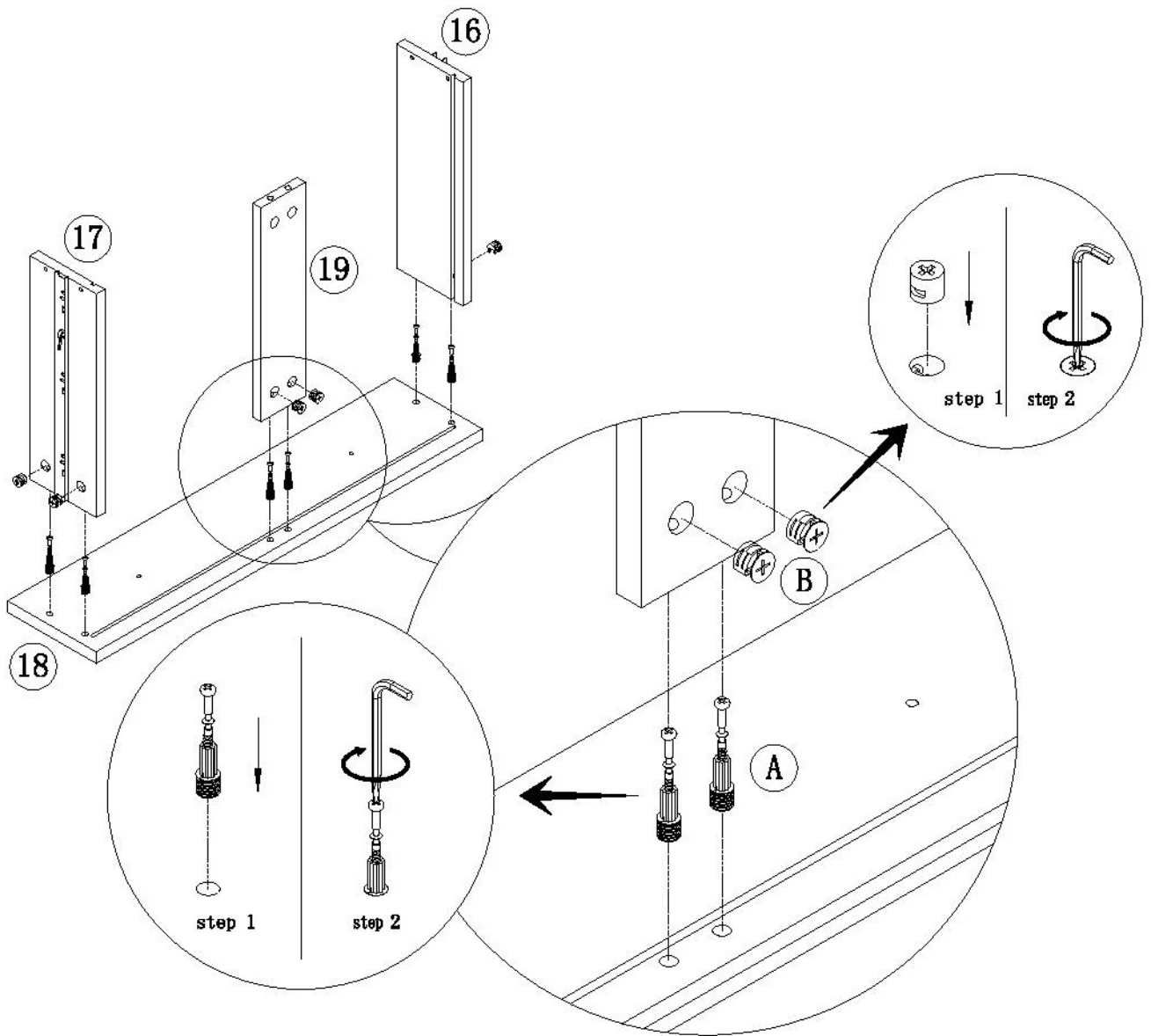



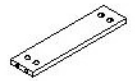
16		*1
17		*1



C		*2
D	 3.5*14mm	*4

Step 17.

fix guide rail C on Panel 16, 17 separately with Screw D.

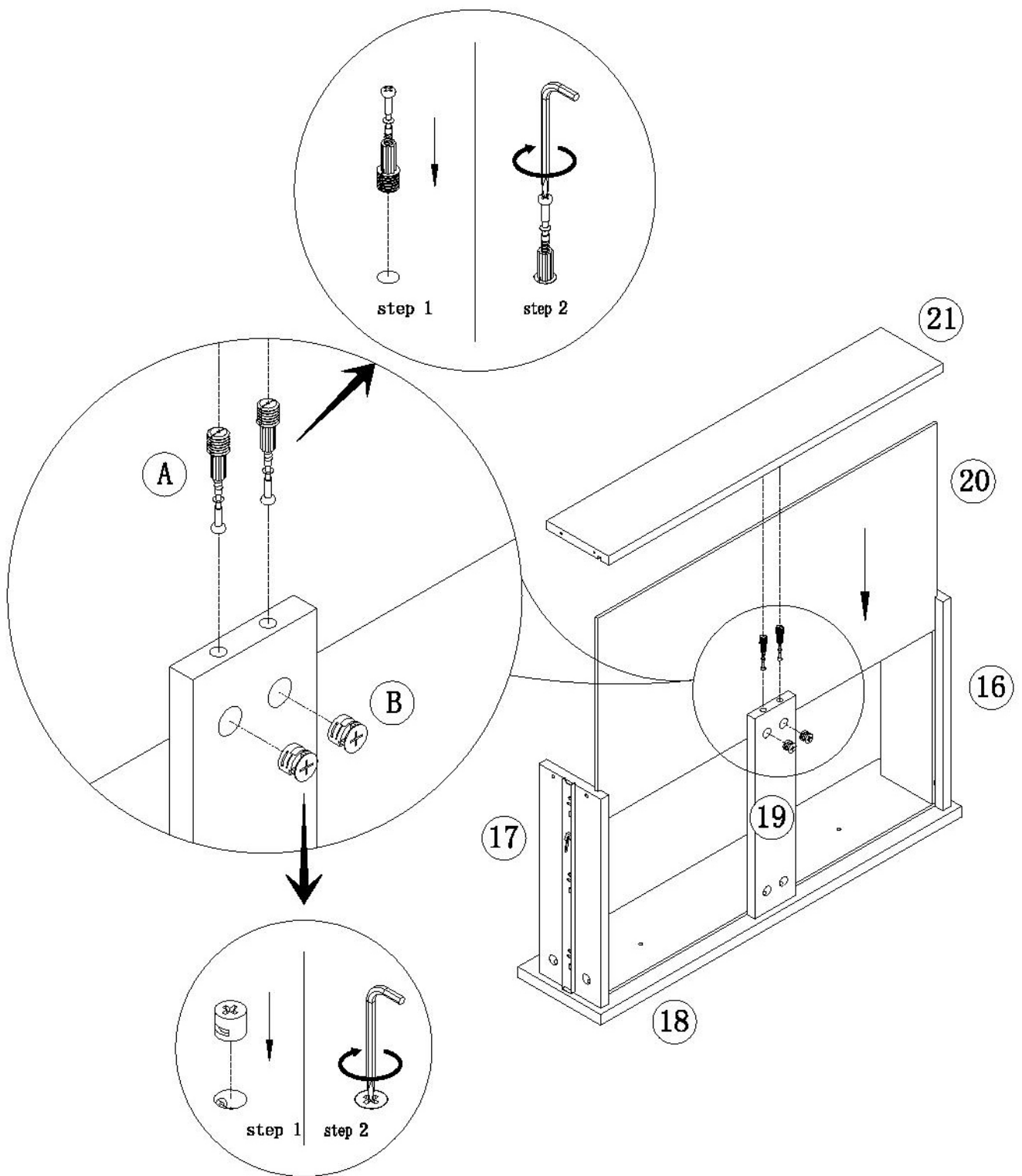


18		*1
19		*1

A		*6
B		*6

Step 18.

Connect Panel 16,17,19 to Panel 18 with Cam Coupling A&B.




20		*1
21		*1

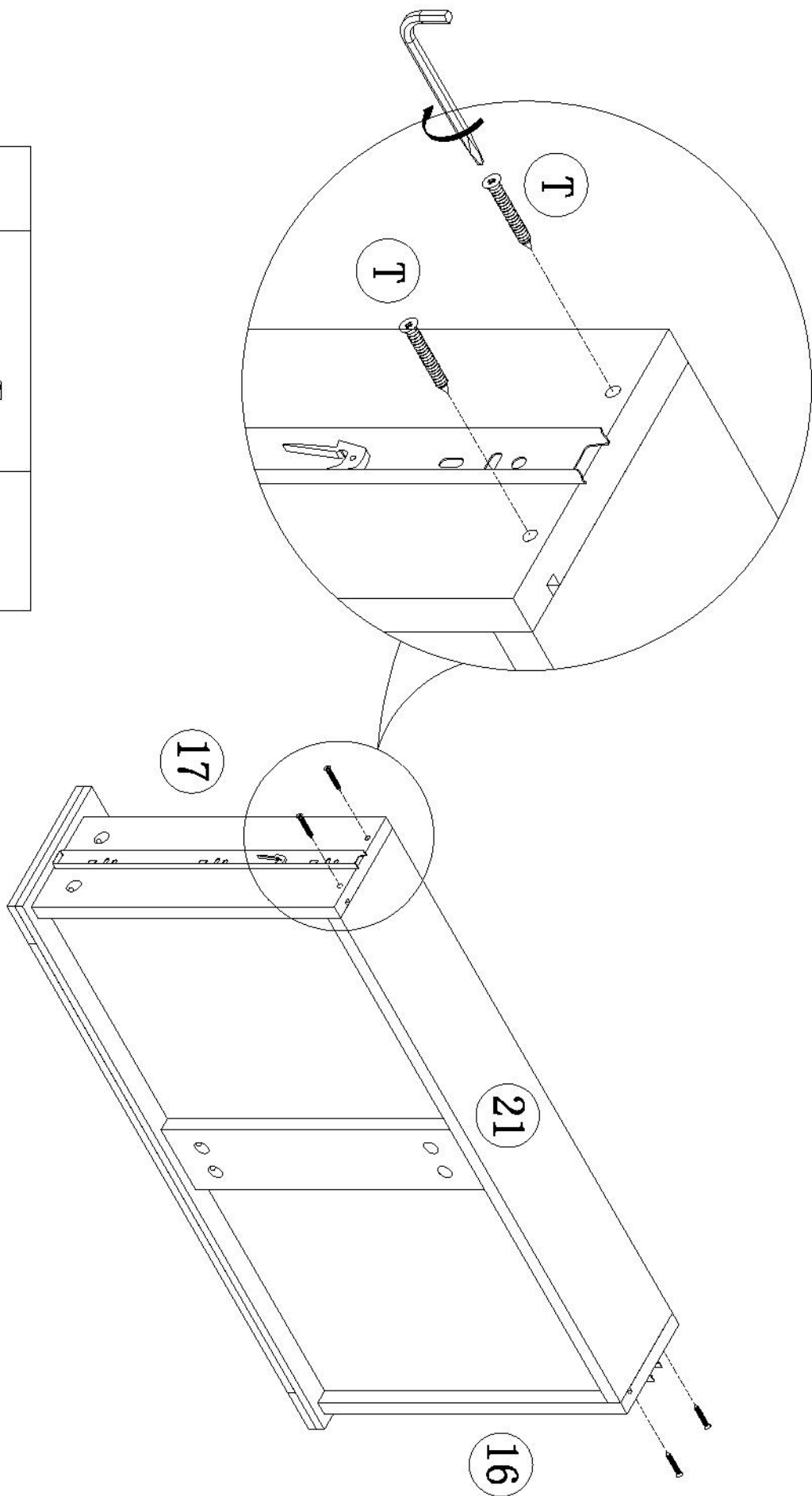
A		*2
B		*2

Step 19.

Insert Panel 20 into Panel 16,17;

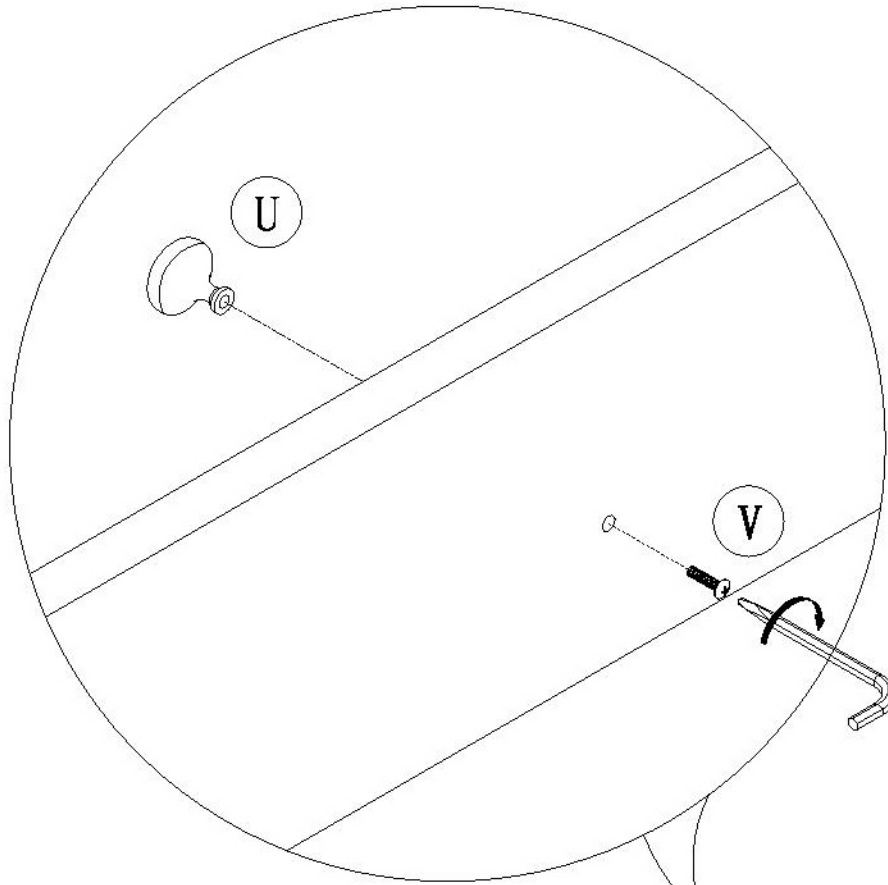
and then connect Panel 21 to Panel 16,17 with Cam Coupling A&B.



T		*4
	3,5*35mm	

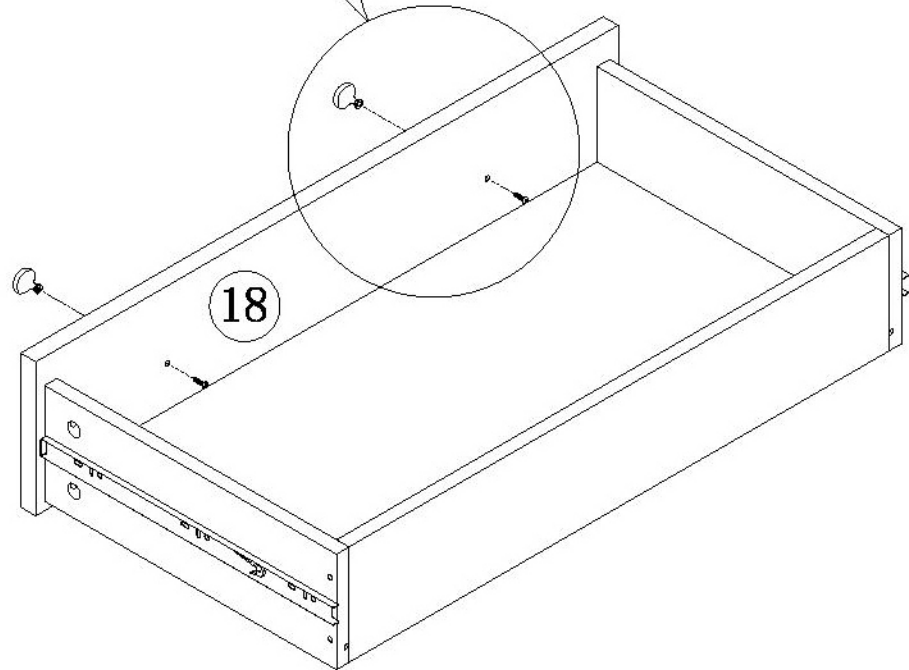


Step 20.

Strengthen Panel 21 and Panel 16,17 with Screw T.

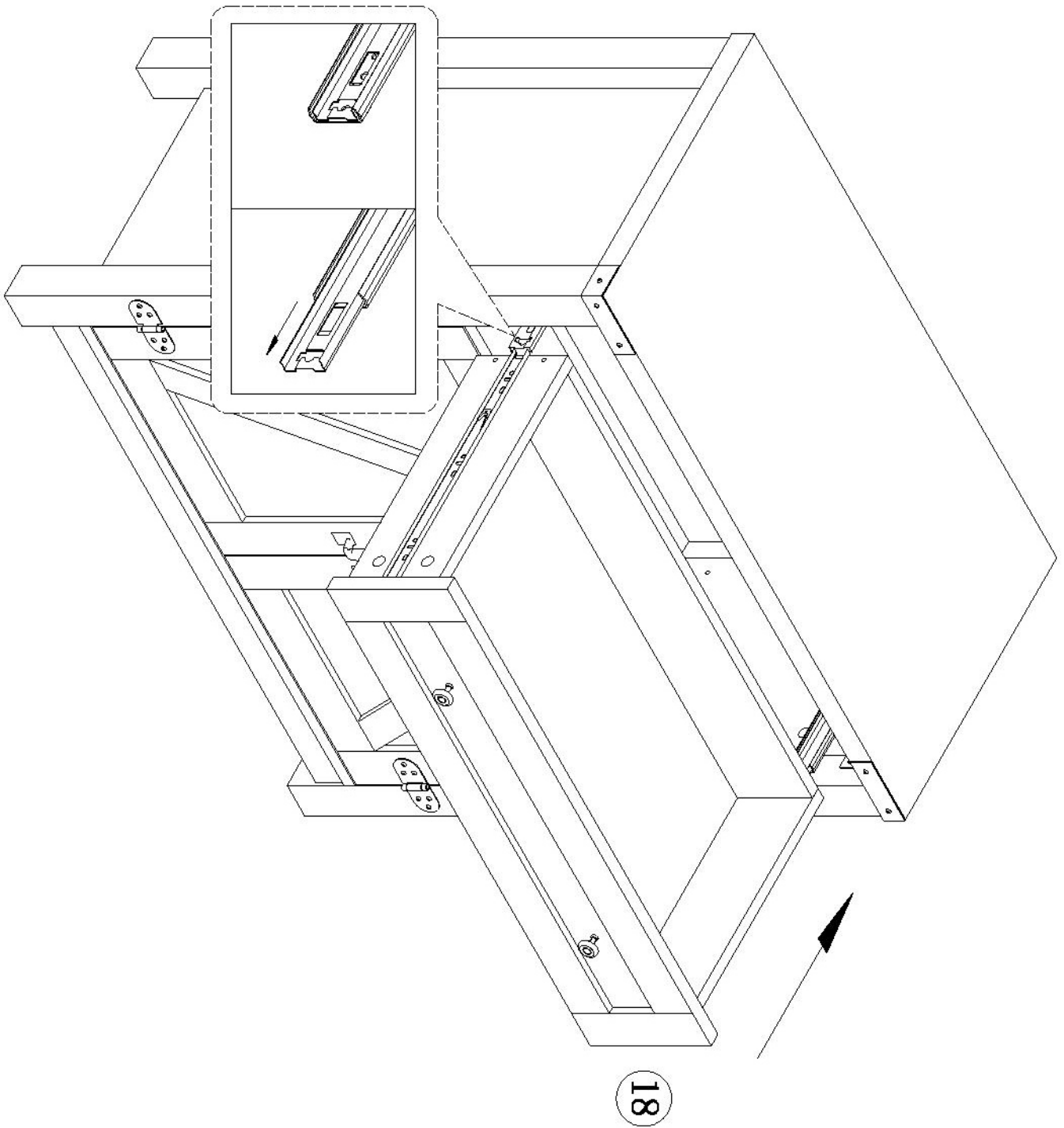


U		*2
V	 4*12mm	*2



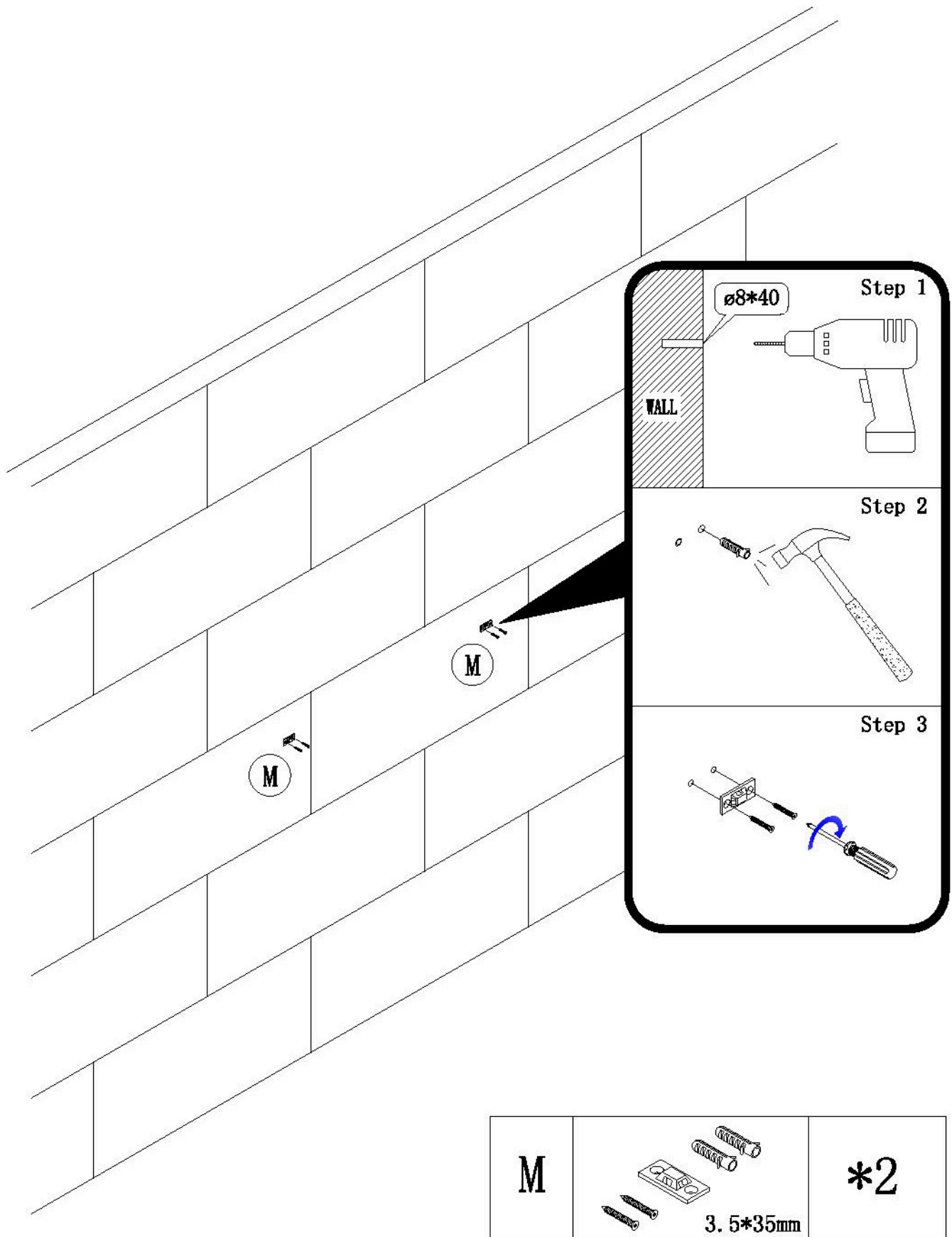
Step 21.

Put on Handle U on Panel 18 with Screw V.



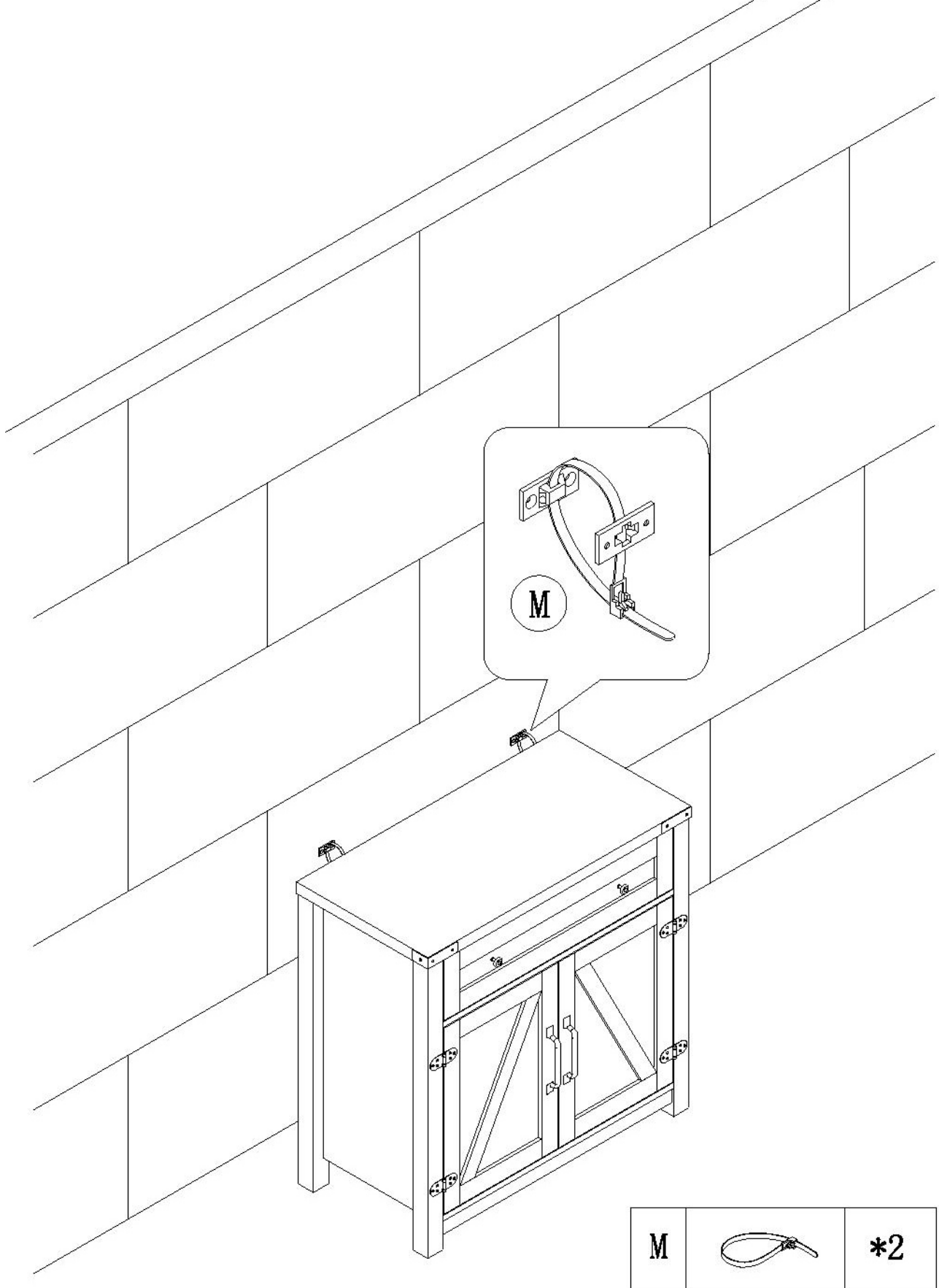
Step 22.

Insert the drawer into the cabinet body.



Step 23.

Drill holes ($\Phi 8 \times 40$) on the wall at proper positions with electric drill, fix M on the wall with hammer and screwdriver.

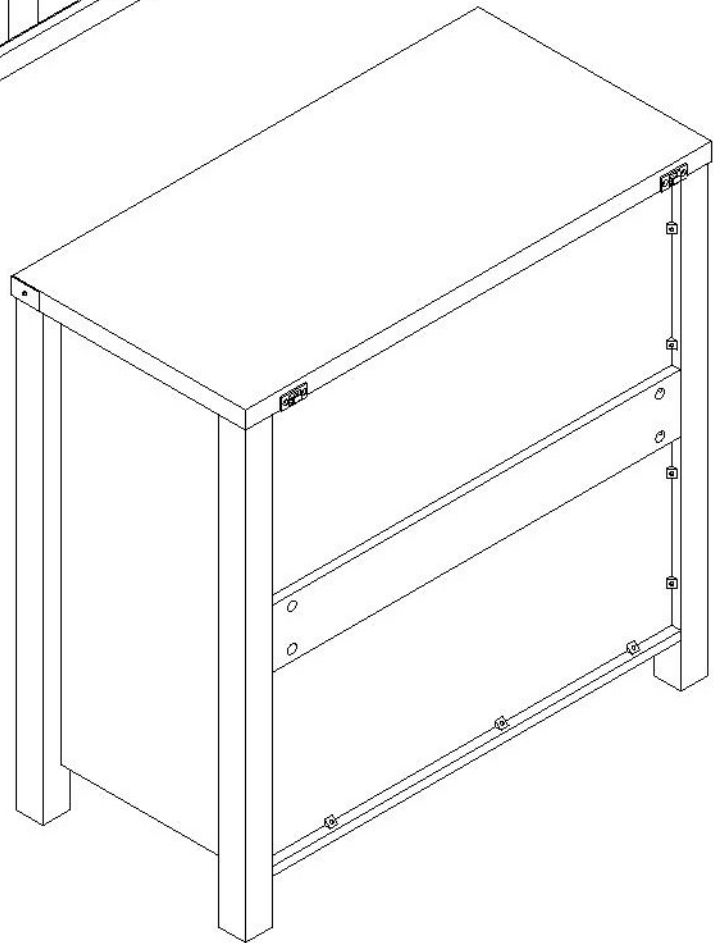
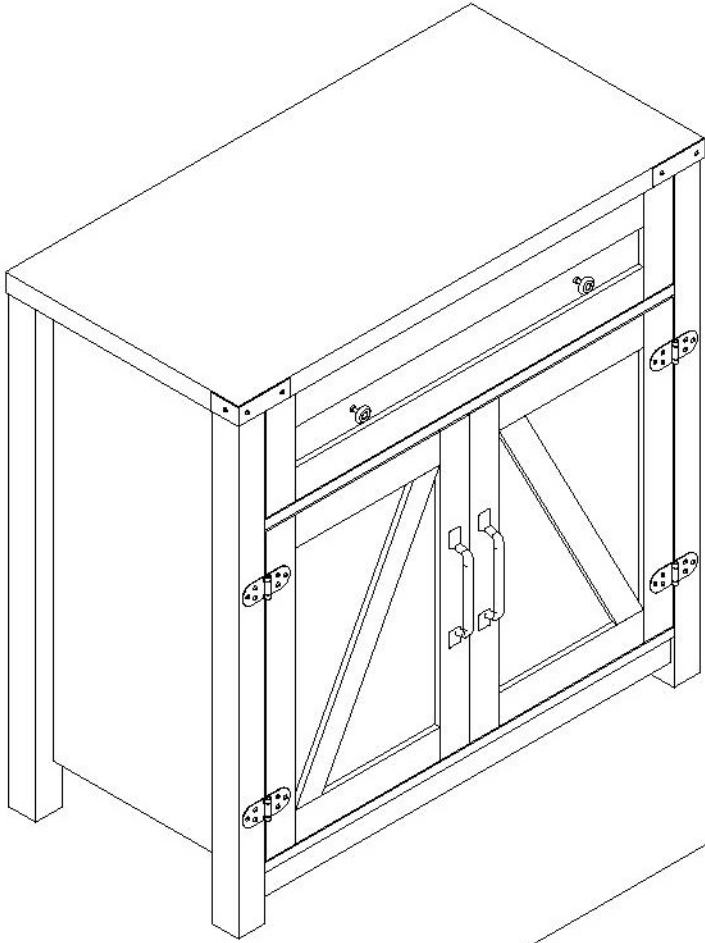


Step 24.

Using plastic ribbon M to tie the cabinet on the wall.

It will prevent the cabinet from falling.

Enjoy Your Life



CD-070