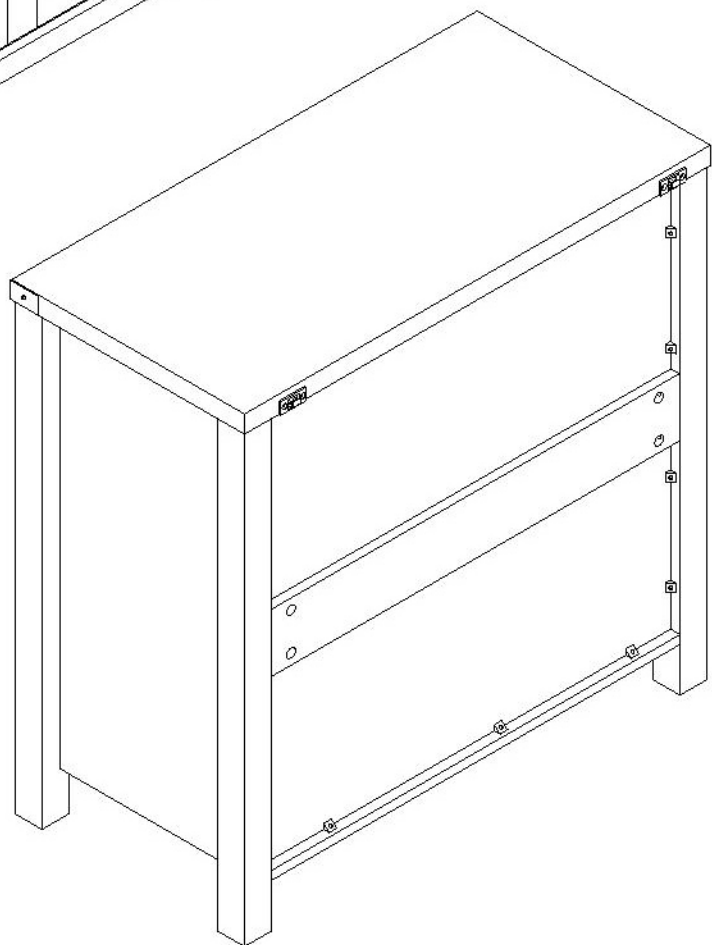
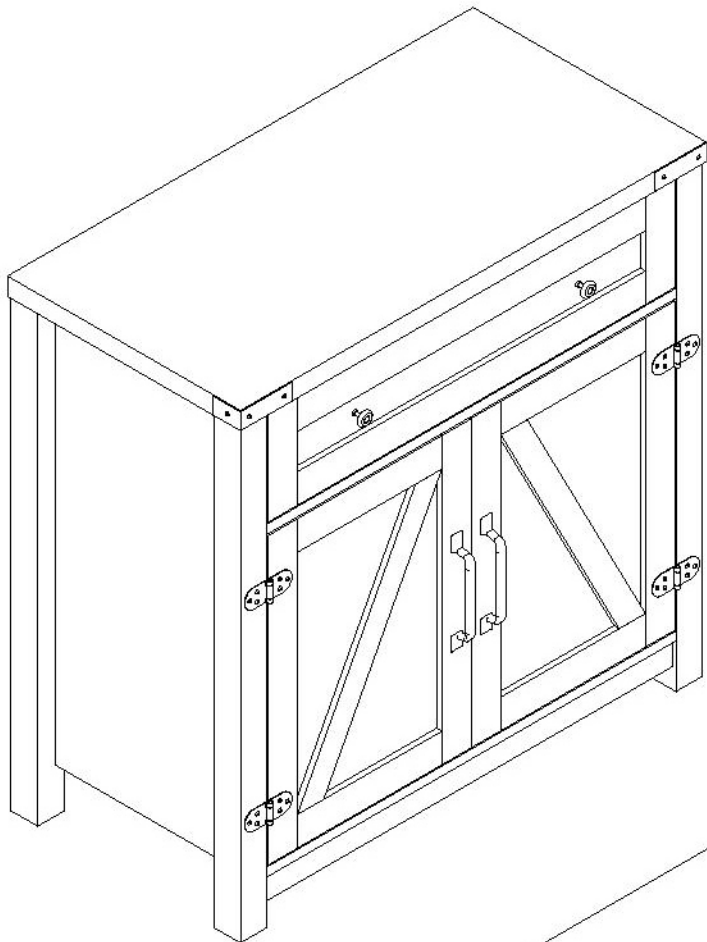







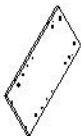




User Manual

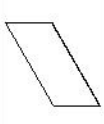

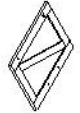
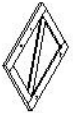
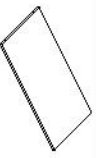
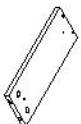
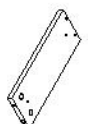




ASSEMBLY INSTRUCTION





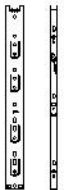



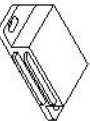

CD-070









Parts List

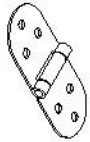







| NO. | Drawing | Dimension | QTY |
|-----|---|--------------|-----|
| 1 |  | 770*46*46mm | *1 |
| 2 |  | 770*46*46mm | *1 |
| 3 |  | 770*46*46mm | *1 |
| 4 |  | 770*46*46mm | *1 |
| 5 |  | 690*302*15mm | *1 |
| 6 |  | 690*302*15mm | *1 |
| 7 |  | 702*394*15mm | *1 |
| 8 |  | 702*40*15mm | *1 |
| 9 |  | 702*100*15mm | *1 |
| 10 |  | 702*100*15mm | *1 |

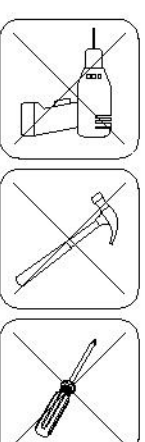
| NO. | Drawing | Dimension | QTY |
|-----|---|--------------|-----|
| 11 |  | 712*342*4mm | *2 |
| 12 |  | 800*400*30mm | *1 |
| 13 |  | 490*348*18mm | *1 |
| 14 |  | 490*348*18mm | *1 |
| 15 |  | 700*352*15mm | *1 |
| 16 |  | 350*120*15mm | *1 |
| 17 |  | 350*120*15mm | *1 |
| 18 |  | 698*160*18mm | *1 |
| 19 |  | 334*80*15mm | *1 |
| 20 |  | 657*344*4mm | *1 |
| 21 |  | 647*120*15mm | *1 |

Hardware Fitting

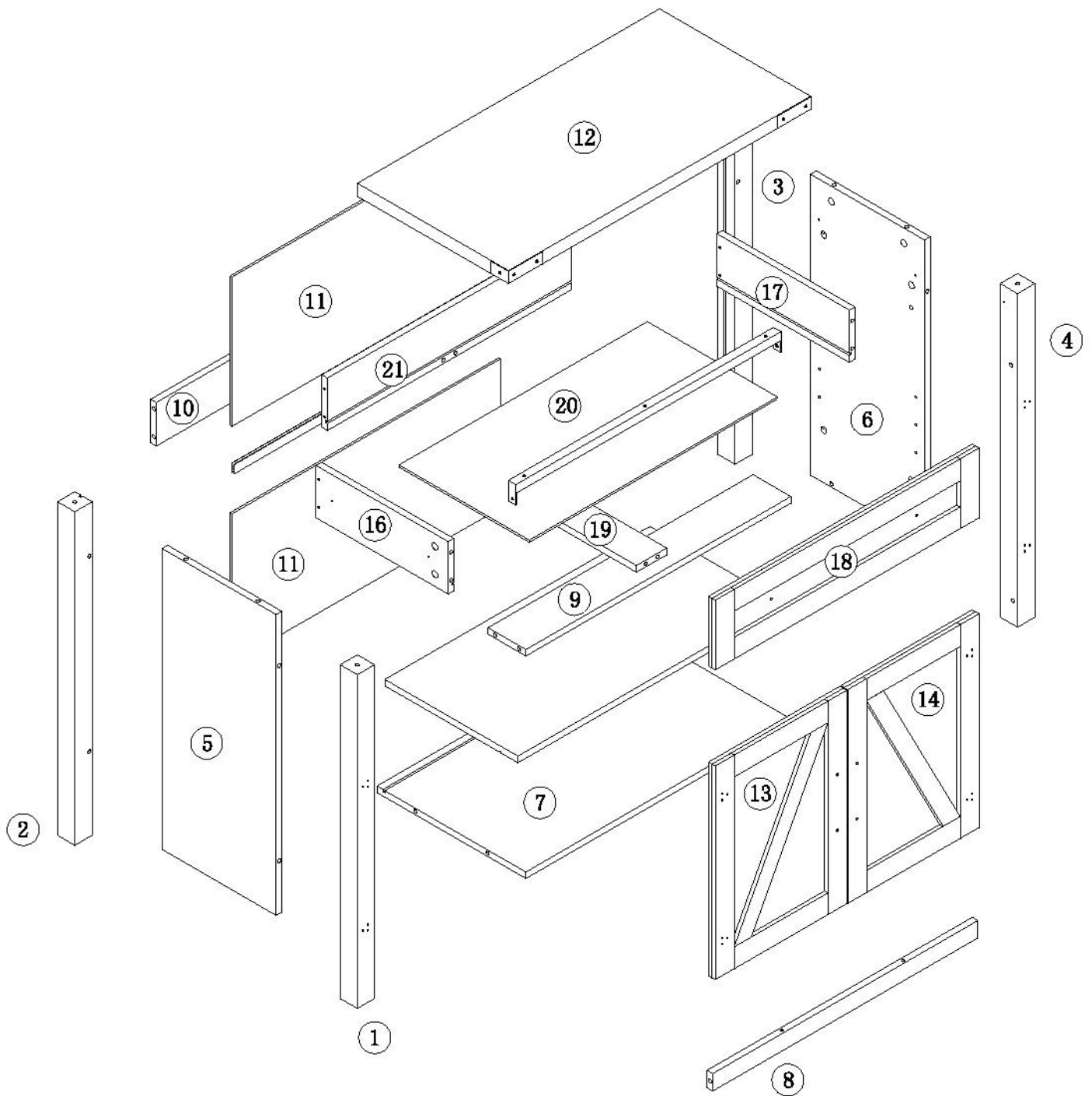
| NO. | Drawing | QTY |
|-----|---|-----|
| A |  *34 | *34 |
| B |  *34 | *34 |
| C |  *2 | *2 |
| D |  3. 5*14 *21 | *21 |
| E |  *2 | *2 |
| F |  *2 | *2 |
| G |  *2 | *2 |
| H |  702*20*417mm *1 | *1 |

| NO. | Drawing | QTY |
|-----|--|-----|
| I |  L=702mm *1 | *1 |
| J |  ø8*40mm *4 | *4 |
| K |  *14 | *14 |
| L |  3. 0*14mm *14 | *14 |
| M |  3. 5*35mm 3. 5*14mm *2 | *2 |
| N |  *2 | *2 |
| O |  *2 | *2 |
| P |  4*20mm *4 | *4 |

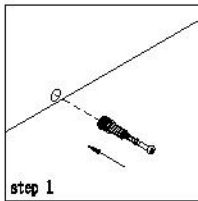
| NO. | Drawing | QTY |
|-----|---|-----|
| Q |  *4 | *4 |
| R |  3. 5*14mm *24 | *24 |
| S |  5*14mm *4 | *4 |
| T |  3. 5*35mm *4 | *4 |
| U |  *2 | *2 |
| V |  4*12mm *2 | *2 |
| |  4mm *1 | *1 |
| |  *36 | *36 |



Split Graph

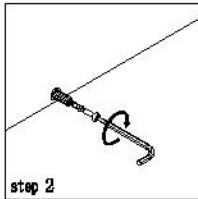


Cam Coupling Using Methods



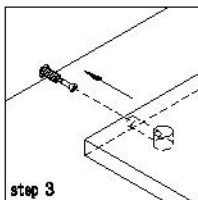
Step1.

Connect the cam coupling A as directed in the assembly instructions using hand.



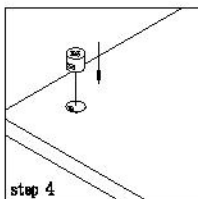
Step2.

Screw the cam coupling A as directed in the assembly instructions.



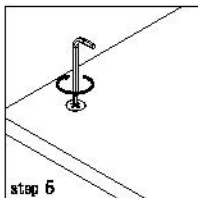
Step3.

Push the cam coupling A into the entry hole.



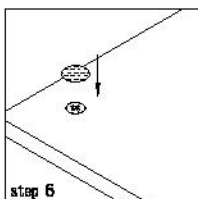
Step4.

Insert the cam coupling B as shown in the instructions.



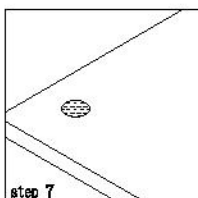
Step5.

Turn the cam coupling B clockwise with a screwdriver.



Step6.

Put on Beautycam.



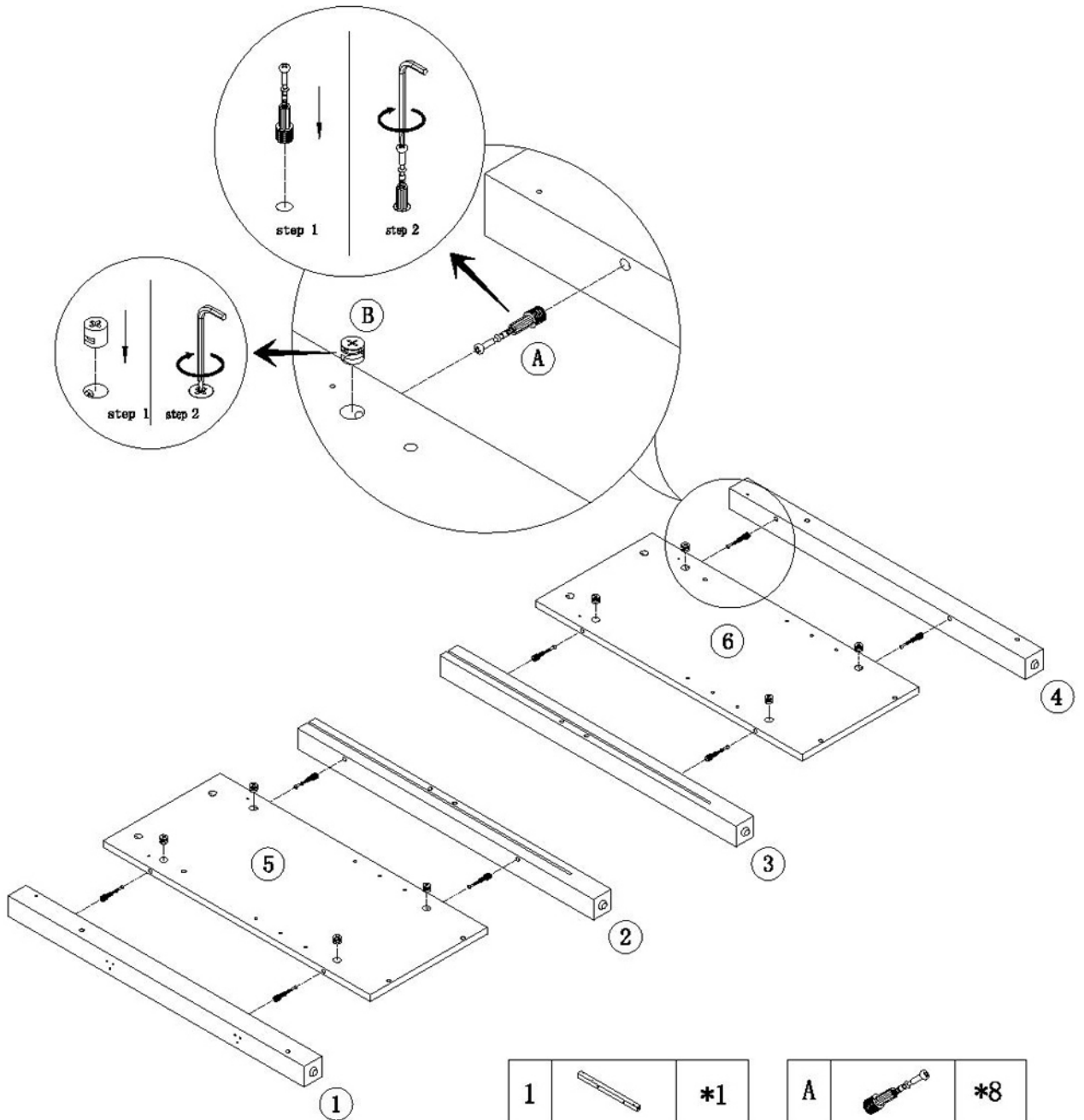
Step7.

Finished.

You should feel a click when the camlock is locked in place.

The joint is now secure.

**Note: Cam Coupling Using Methods,
please refer to Page No.5**



Step 1.

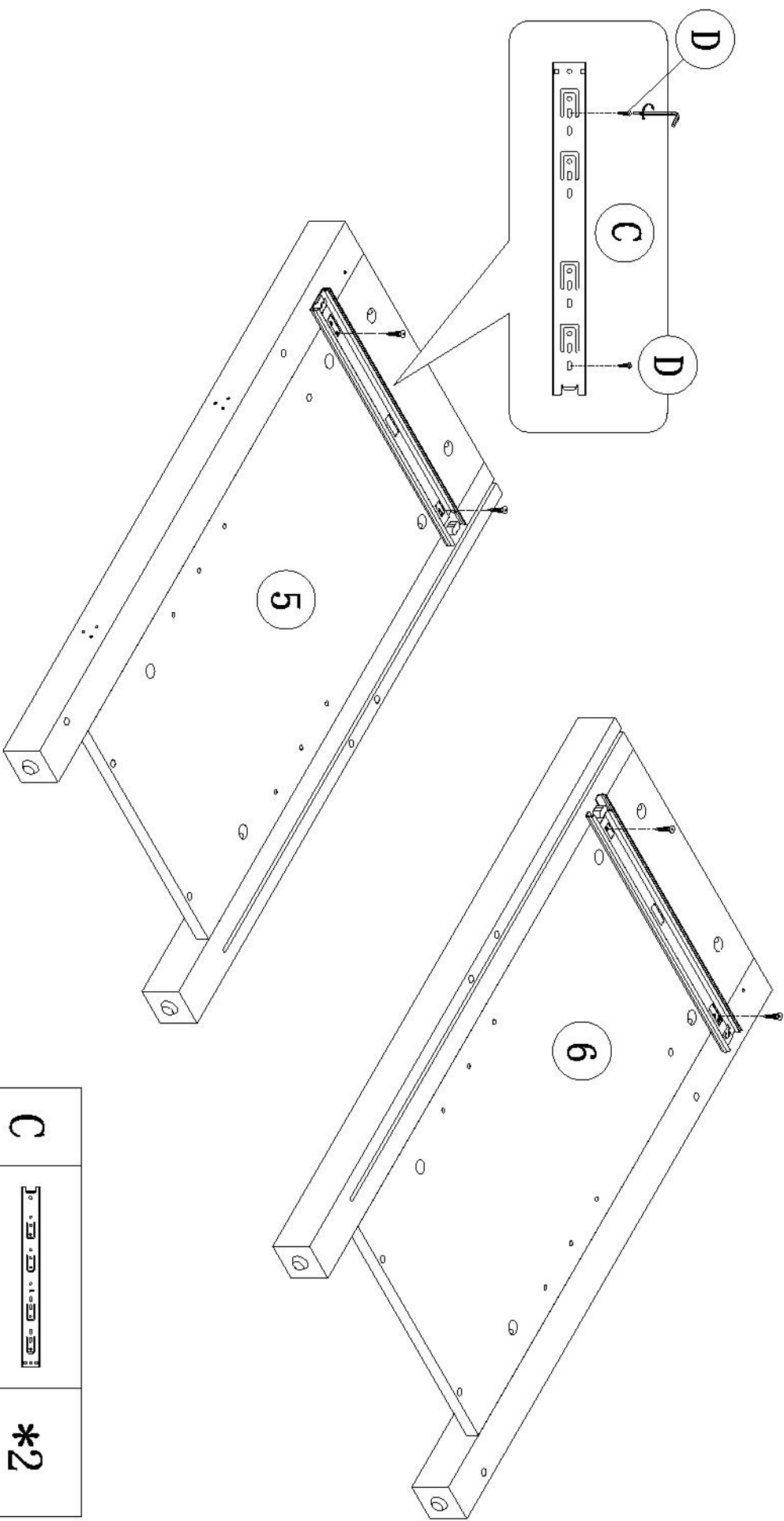
Connect Panel 1 and Panel 2 to Panel 5,
and Connect Panel 3 and Panel 4 to

Panel 6 with Cam Coupling A&B,

please watch the right side of Panel 2 and Panel 3.



| | | |
|---|--|----|
| 1 | | *1 |
| 2 | | *1 |
| 3 | | *1 |
| 4 | | *1 |
| 5 | | *1 |
| 6 | | *1 |



| | | |
|---|--|----|
| A | | *8 |
| B | | *8 |





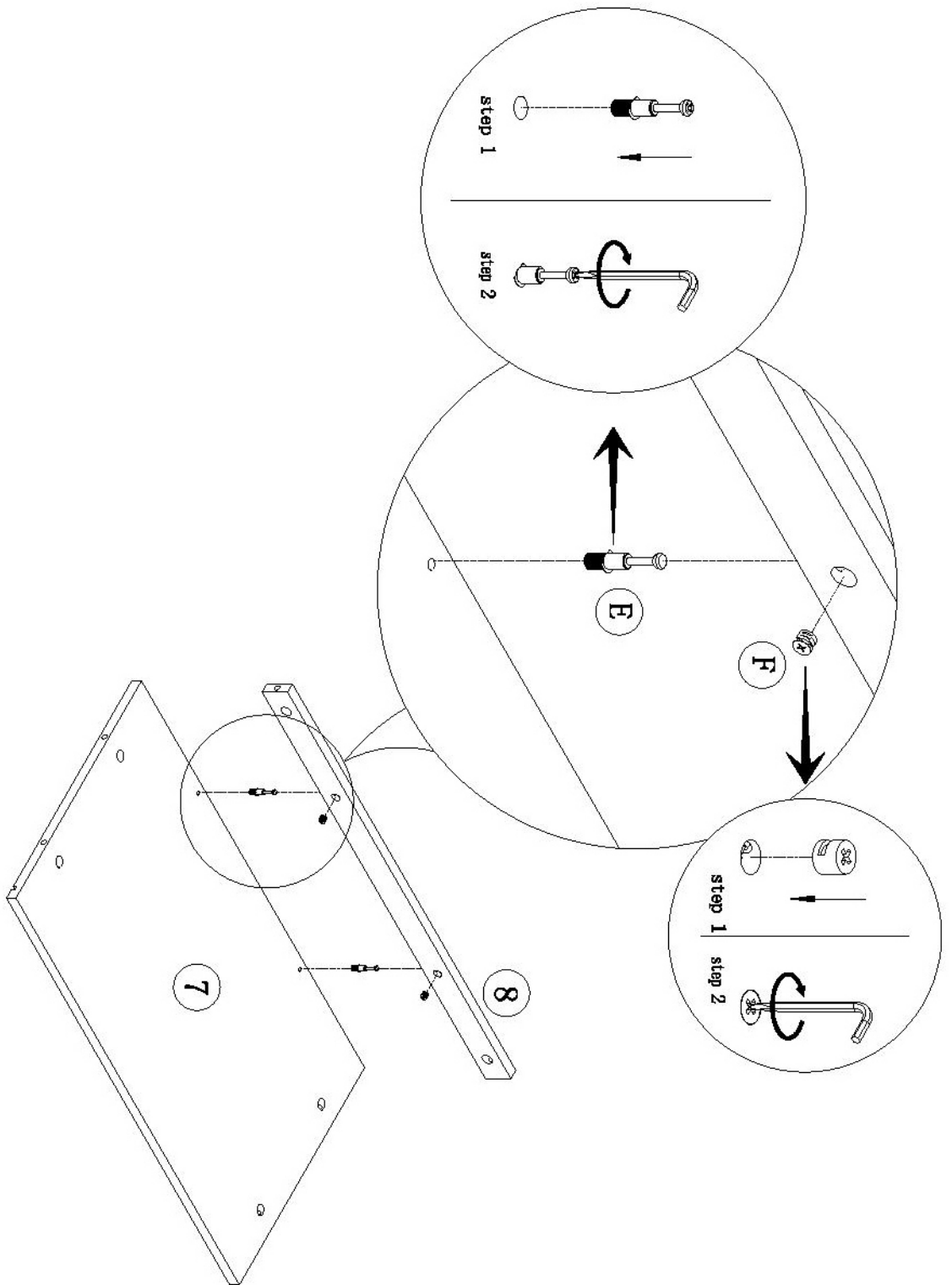
Step 2.

Put on guide rail C on panel 5 and panel 6 with screw D.

| | | |
|----------|---|-----------|
| C |  | *2 |
| D |  3.5*14 | *4 |

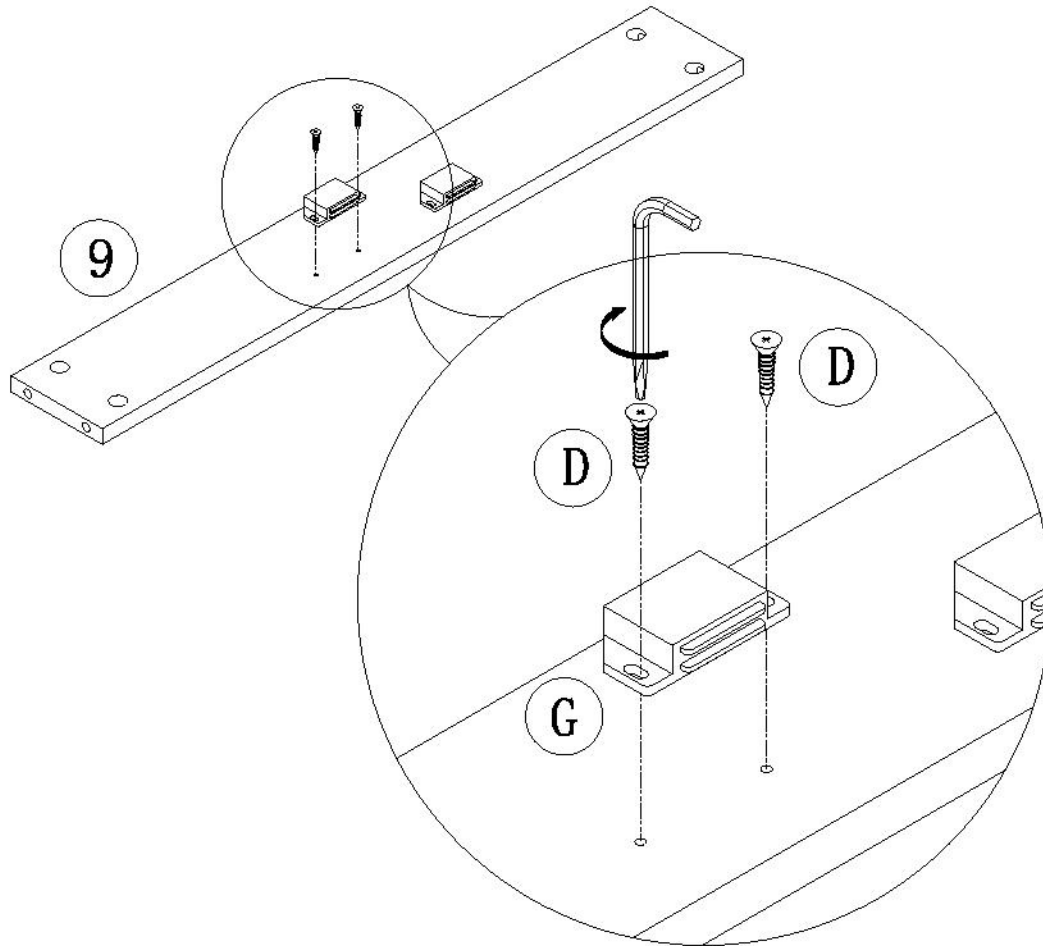
| | | |
|---|---|----|
| 7 |  | *1 |
| 8 |  | *1 |

| | | |
|---|---|----|
| E |  | *2 |
| F |  | *2 |



Step 3.

Connect Panel 8 to Panel 7 with Cam Coupling E&F.

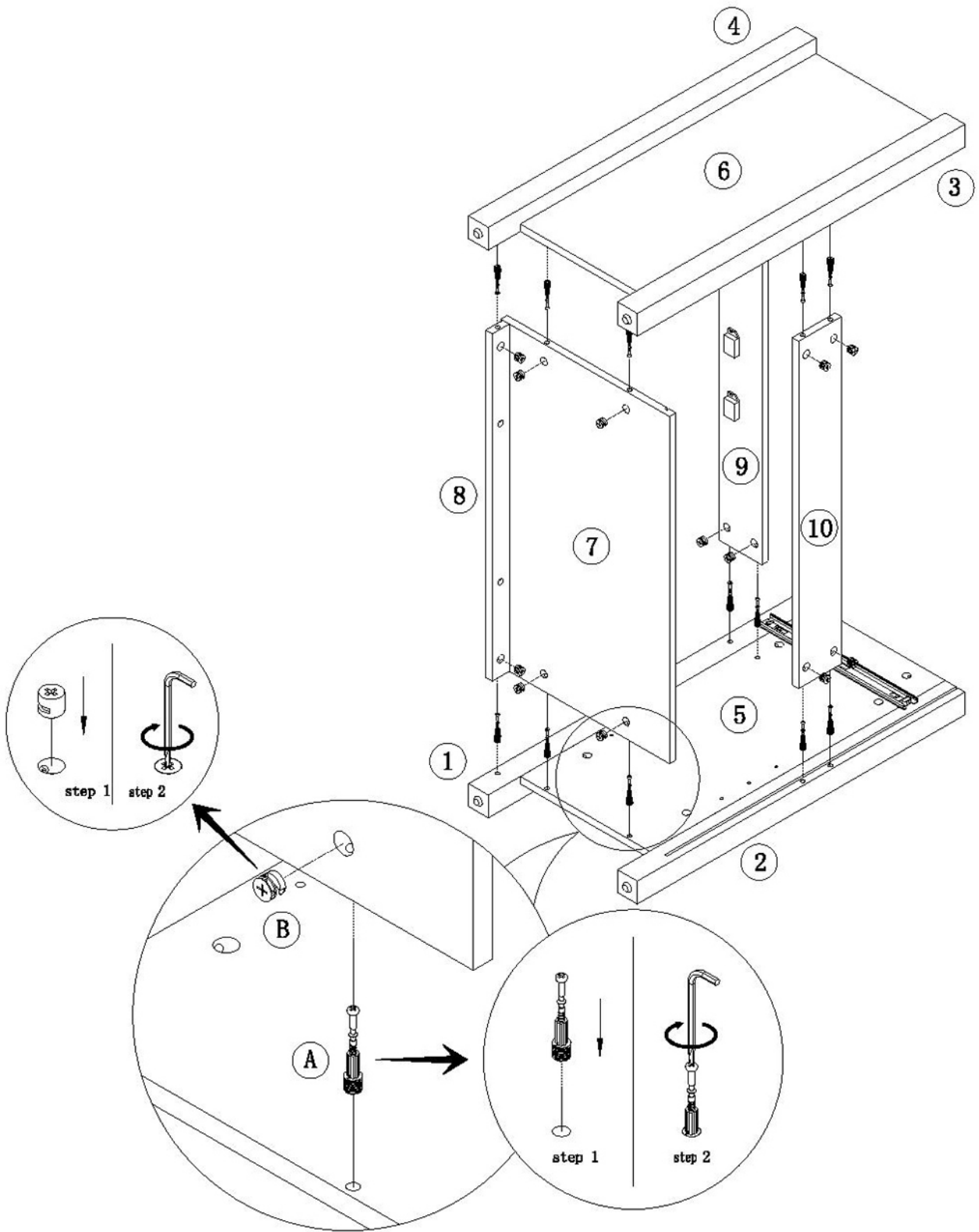


| | | |
|---|--|----|
| 9 | | *1 |
|---|--|----|



| | | |
|---|--|----|
| G | | *2 |
| D | | *4 |

Step 4.

fix the magnetic lock G on Panel 9 with screw D.



| | | |
|----|---|----|
| 10 |  | *1 |
|----|---|----|

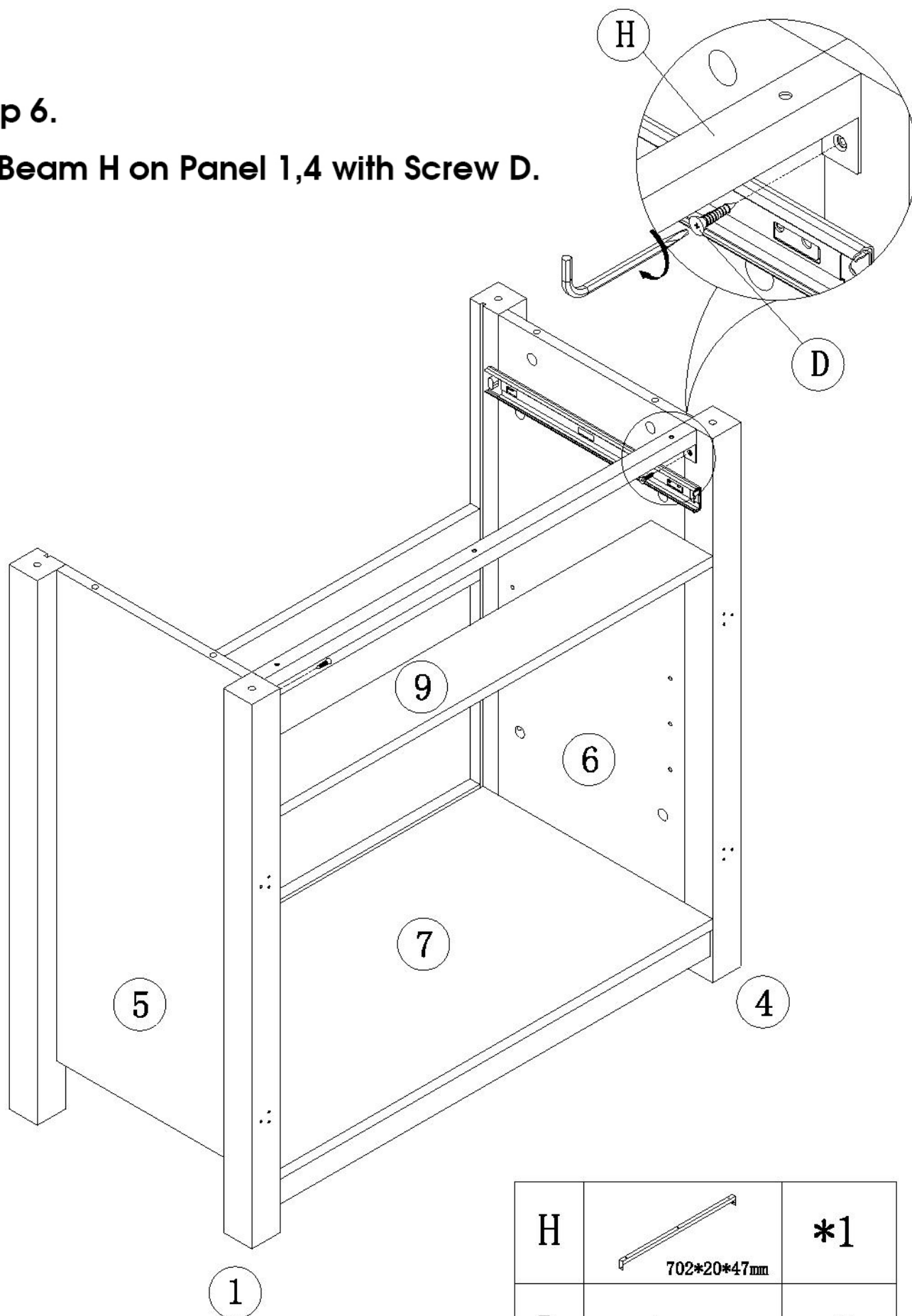
| | | |
|---|---|-----|
| A |  | *14 |
| B |  | *14 |

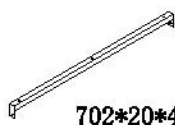
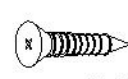
Step 5.

**Connect Panel 7,8,9,10 to Panel 1,2,5 with Cam Coupling A&B;
Connect Panel 7,8,9,10 to Panel 3,4,6 with Cam Coupling A&B.**

Step 6.

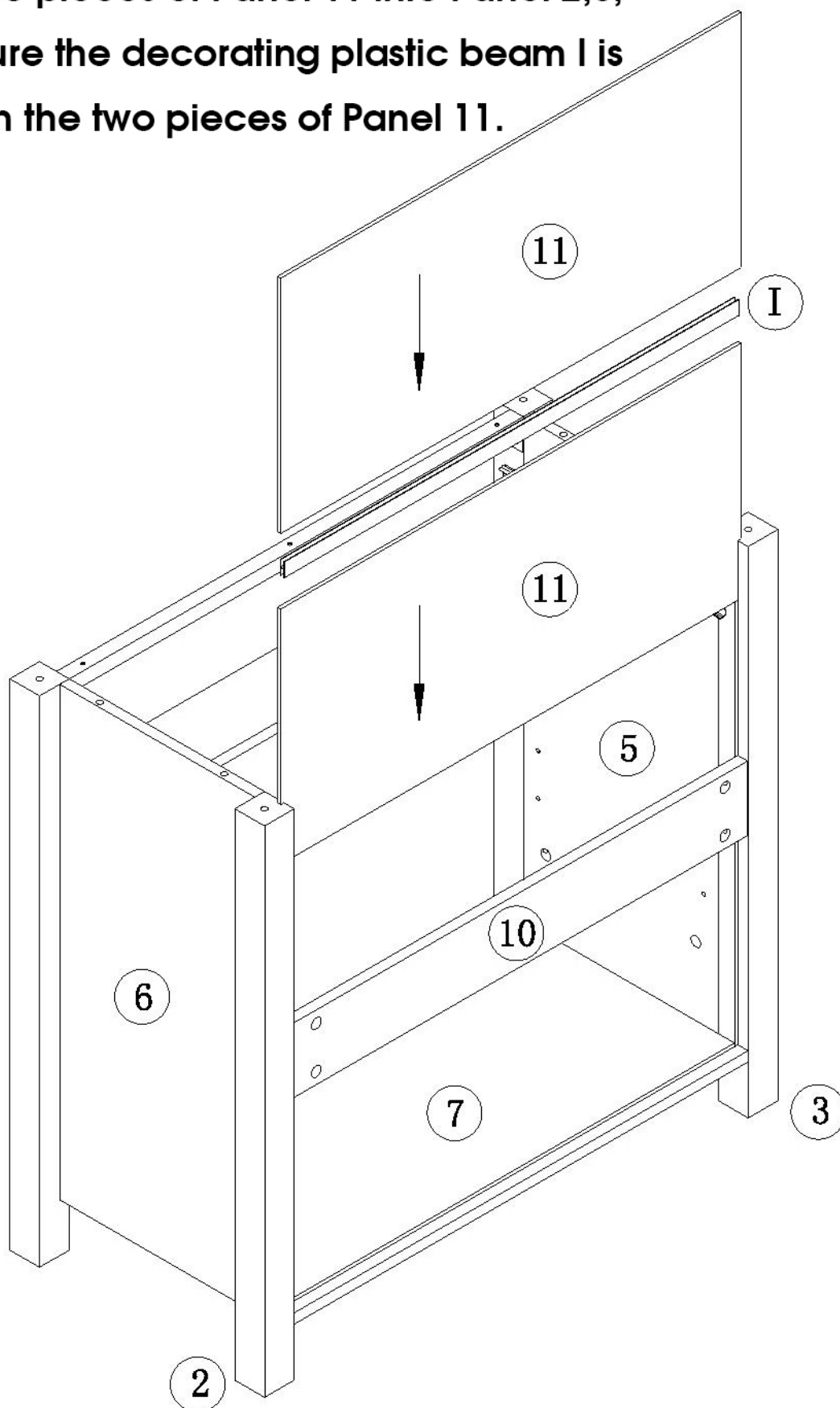
fix Beam H on Panel 1,4 with Screw D.

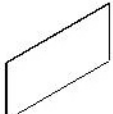


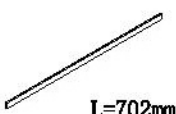
| | | |
|---|--|----|
| H |  702*20*47mm | *1 |
| D |  3.5*14mm | *2 |

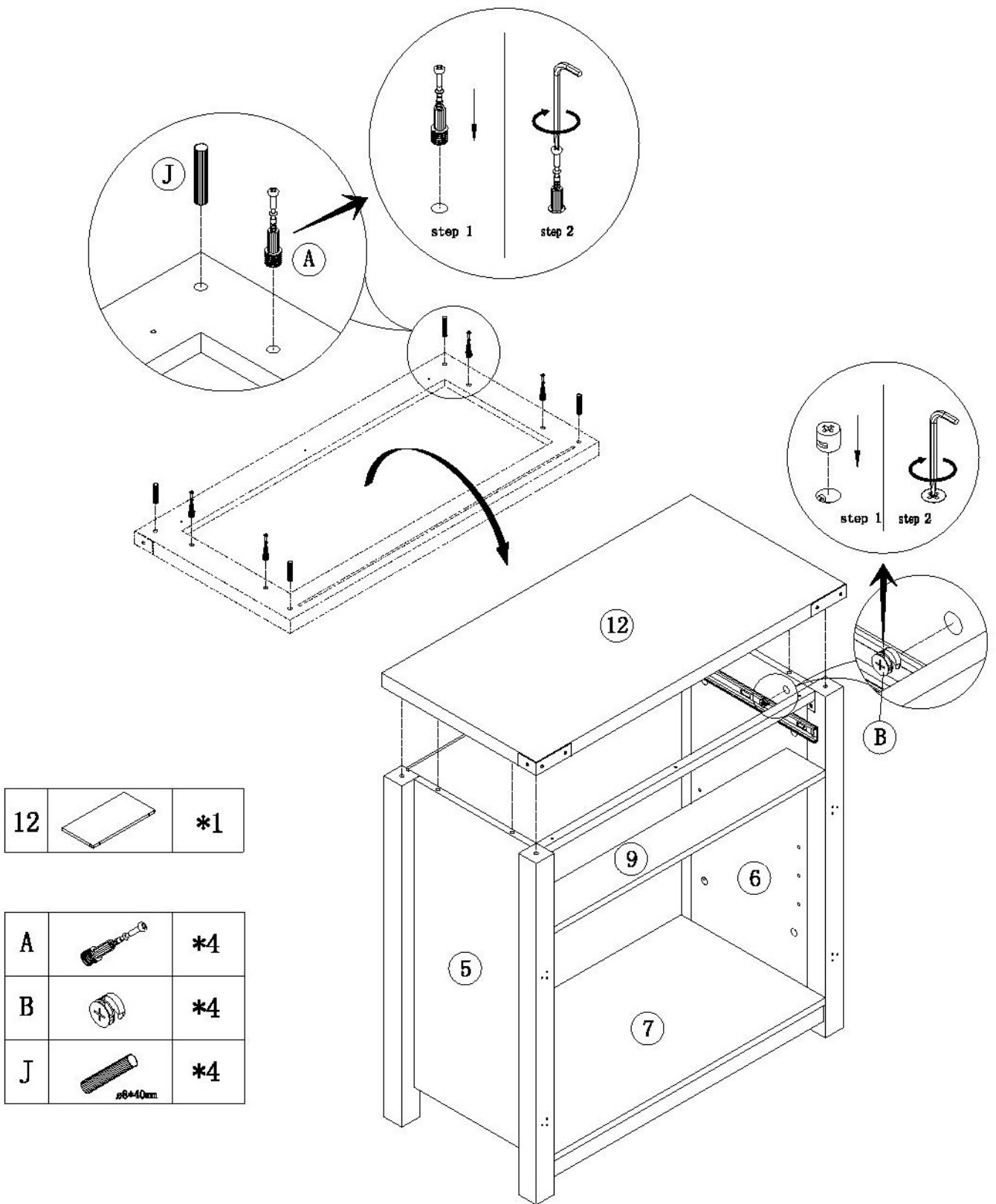
Step 7.

Insert two pieces of Panel 11 into Panel 2,3;
make sure the decorating plastic beam I is
between the two pieces of Panel 11.



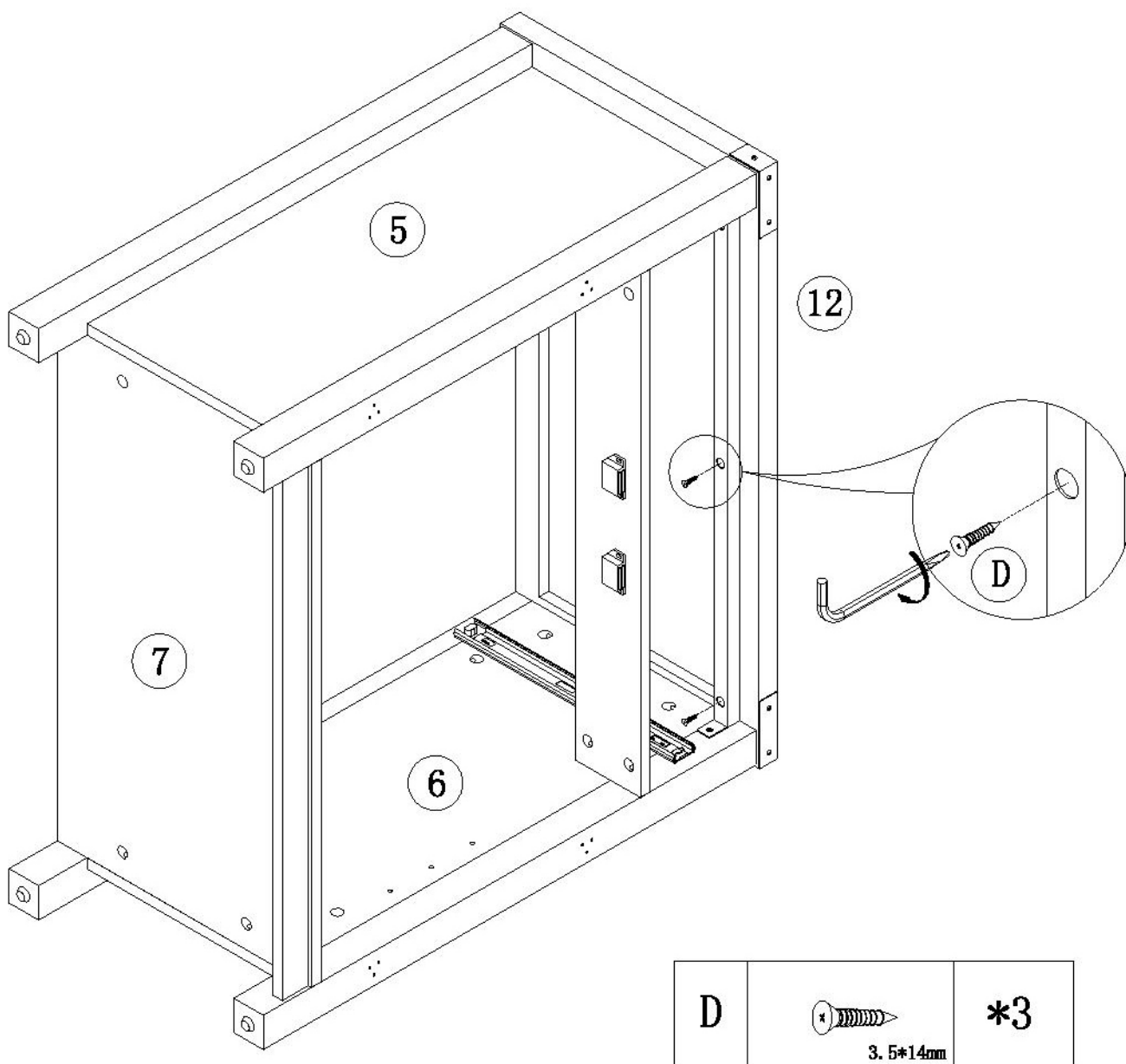
| | | |
|----|---|----|
| 11 |  | *2 |
|----|---|----|

| | | |
|---|---|----|
| I |  L=702mm | *1 |
|---|---|----|



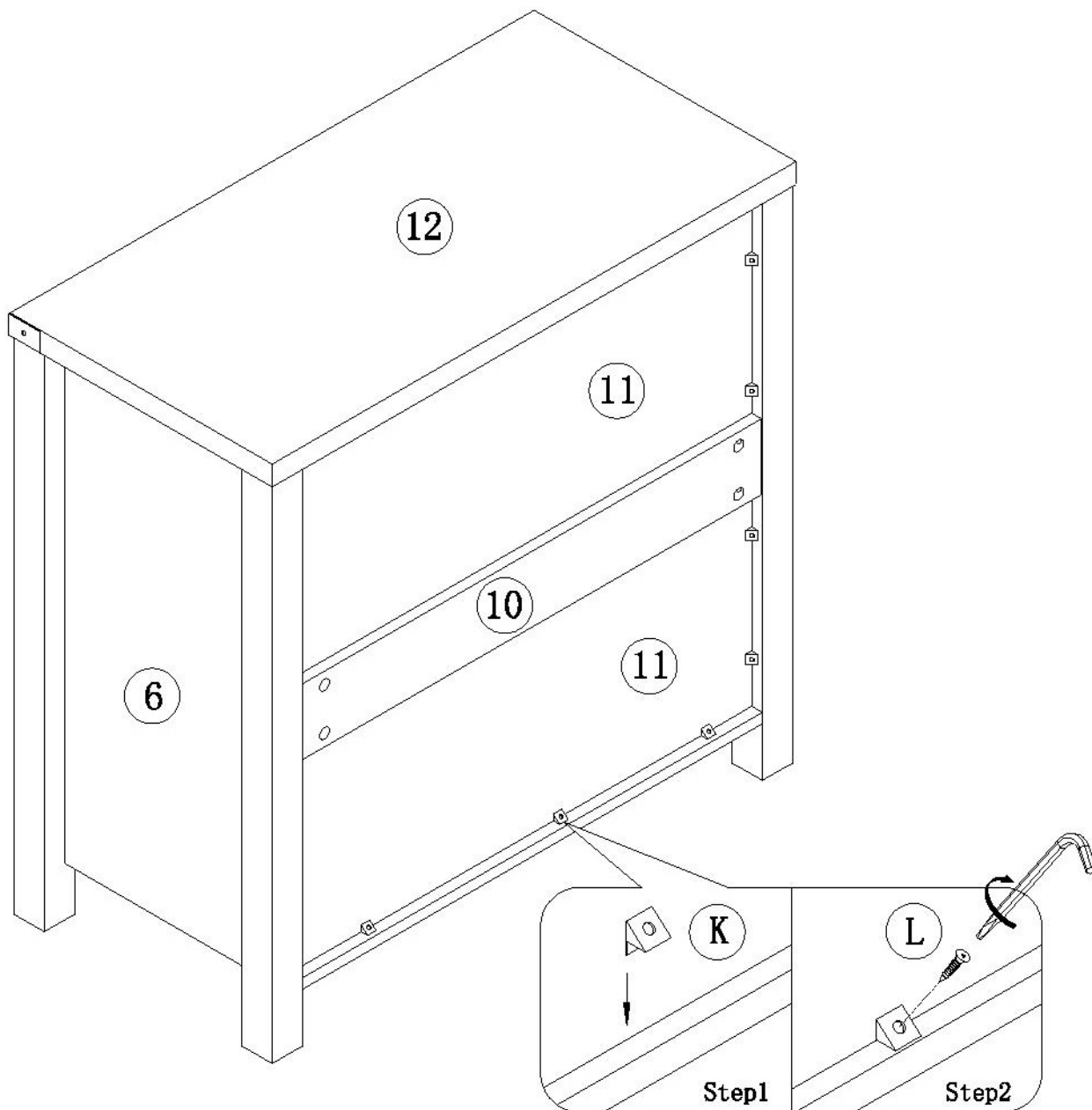
Step 8.



put cabinet top Panel 12 on the cabinet body,
and fix them with Cam Coupling A&B.



Step 9.

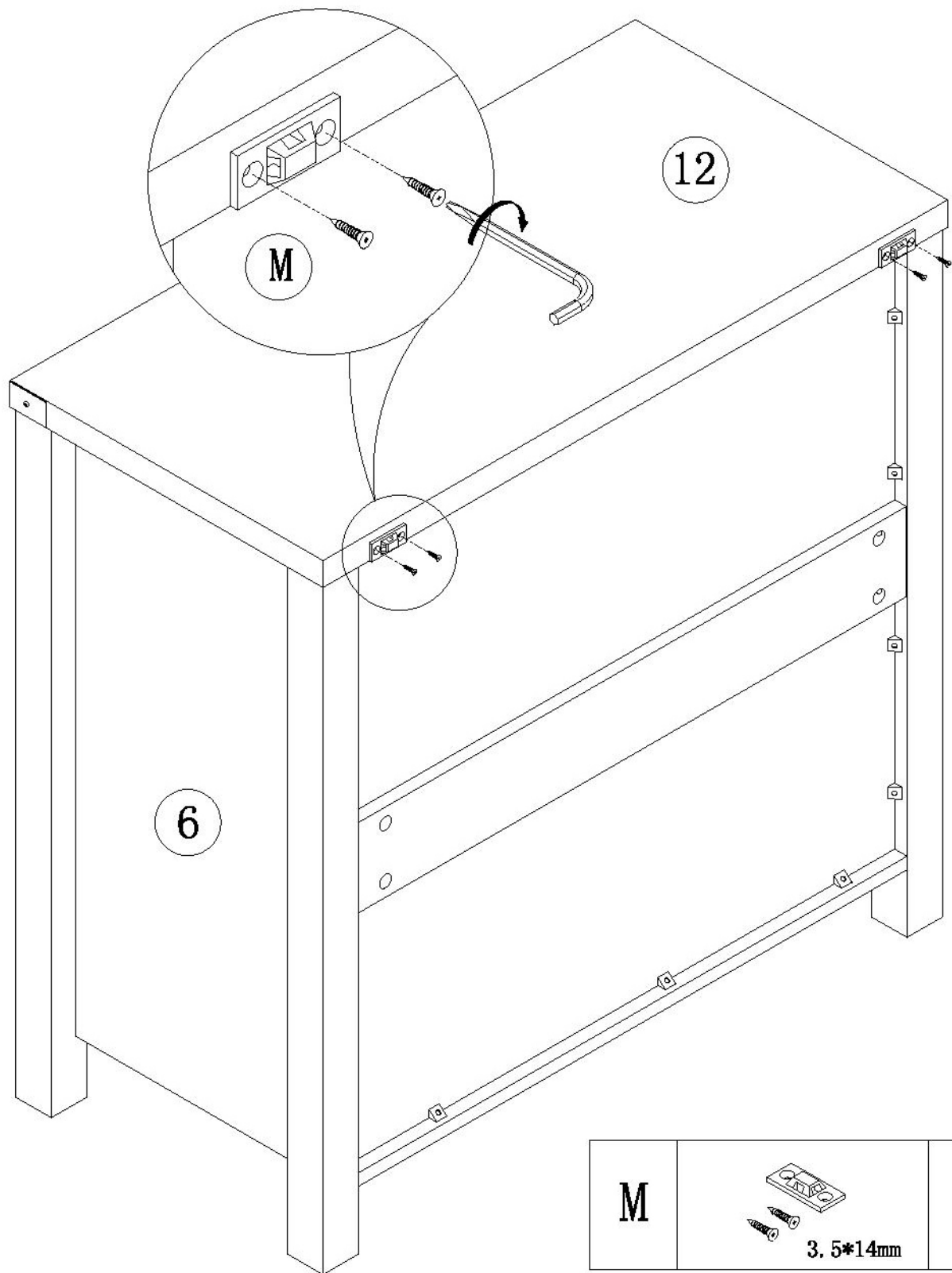
Strengthen the beam H and the cabinet top panel 12 with screw D.



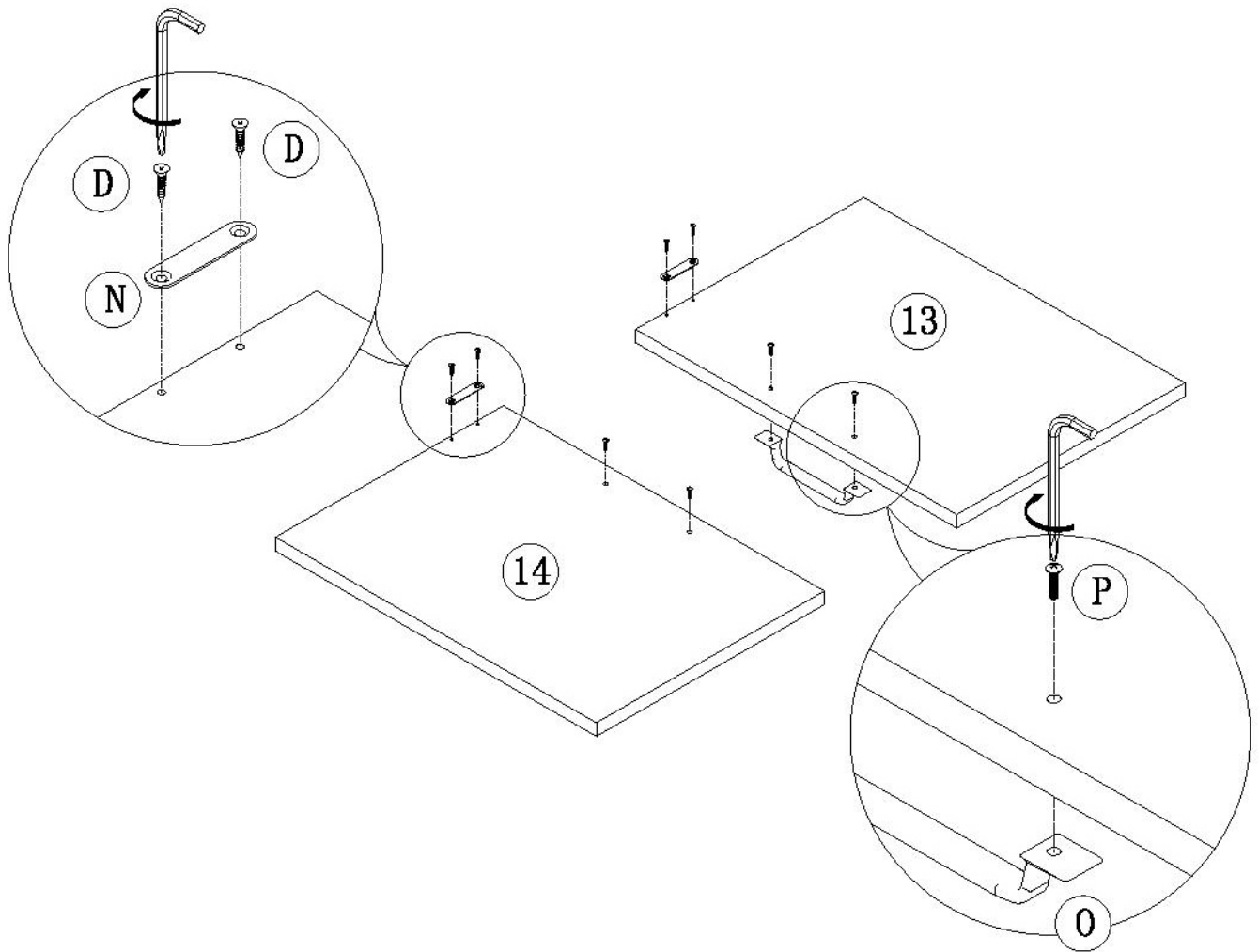
| | | |
|---|---|-----|
| K |  | *14 |
| L |  3.0*14mm | *14 |

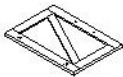
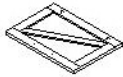
Step 10.


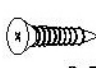
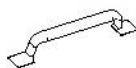

**Strengthen two pieces of Panel 11
with component K by screw L.**



Step 11.
fix M on panel 12 (on the background side).

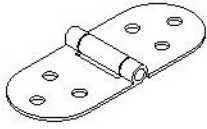
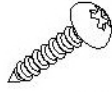


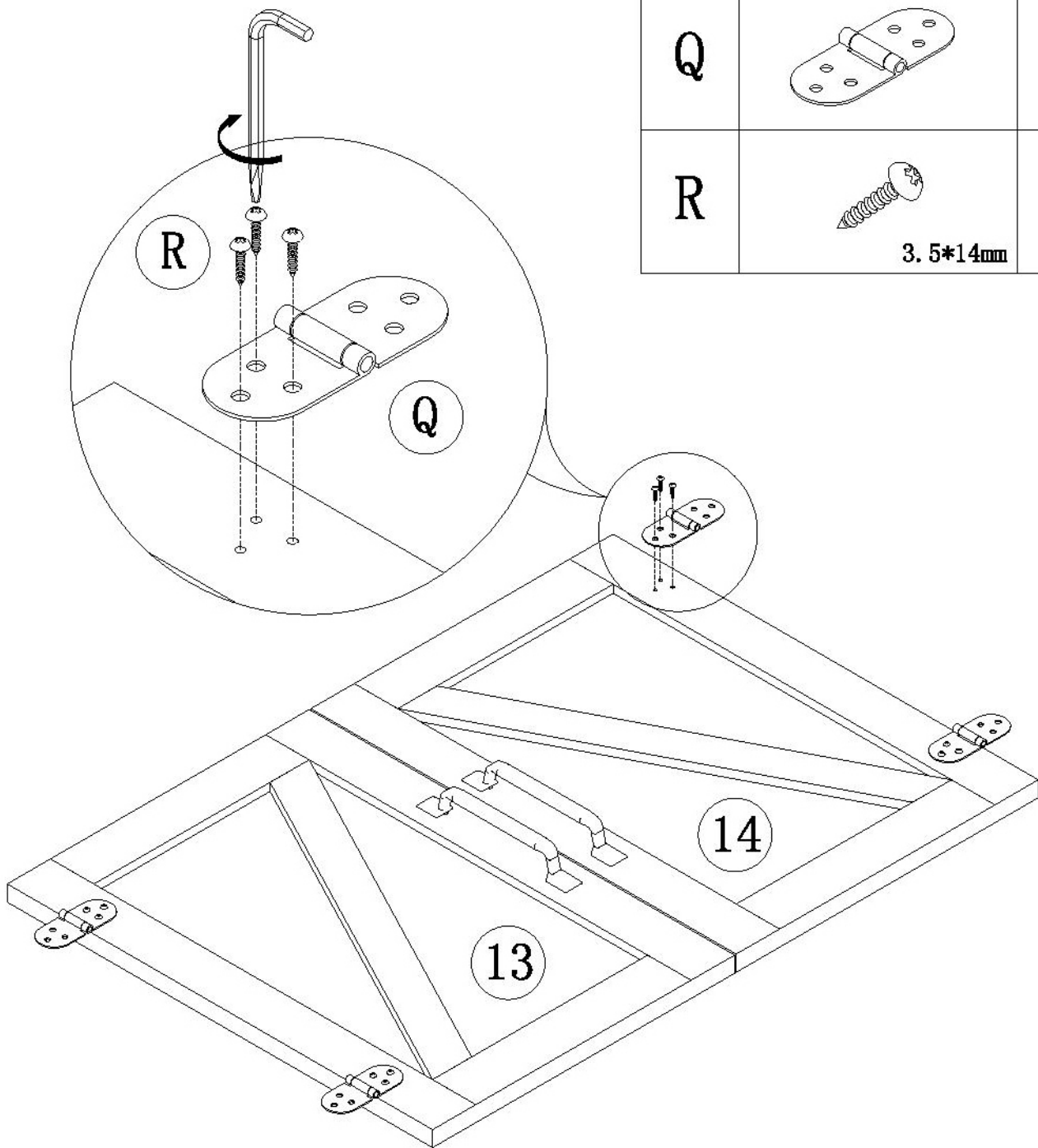
| | | |
|----|---|----|
| 13 |  | *1 |
| 14 |  | *1 |

| | | |
|---|---|----|
| N |  | *2 |
| D |  3.5*14mm | *4 |
| O |  | *2 |
| P |  4*20mm | *4 |

Step 12.

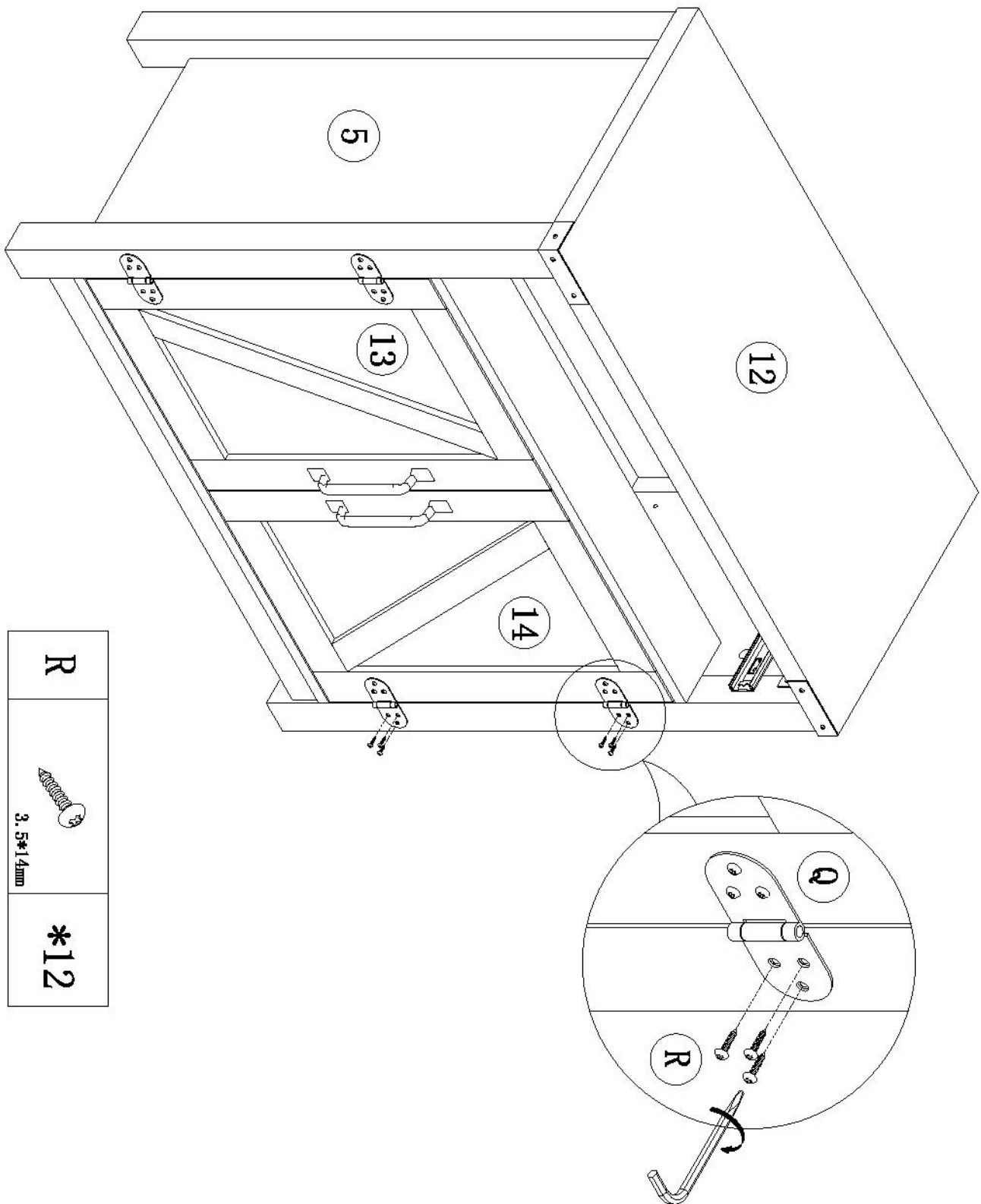
**Fix the Handle O on the doors Panel 13,14 with Screw P;
fix the metal part N on the doors Panel 13,14 with Screw D.**

| | | |
|---|---|-----|
| Q |  | *4 |
| R |  3.5*14mm | *12 |



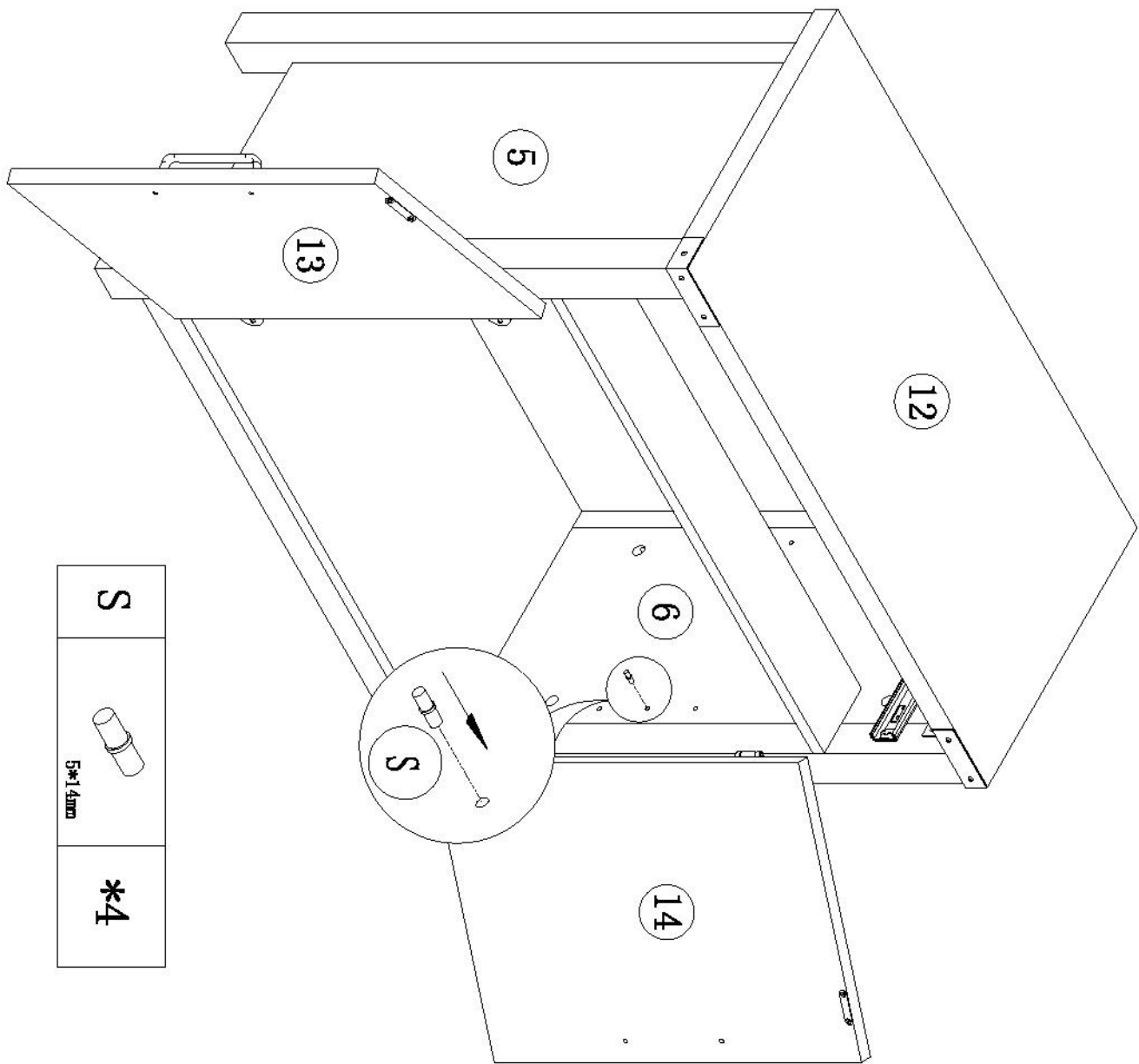
Step 13.

Fix the Hinge Q on the doors Panel 13,14 with Screw R.

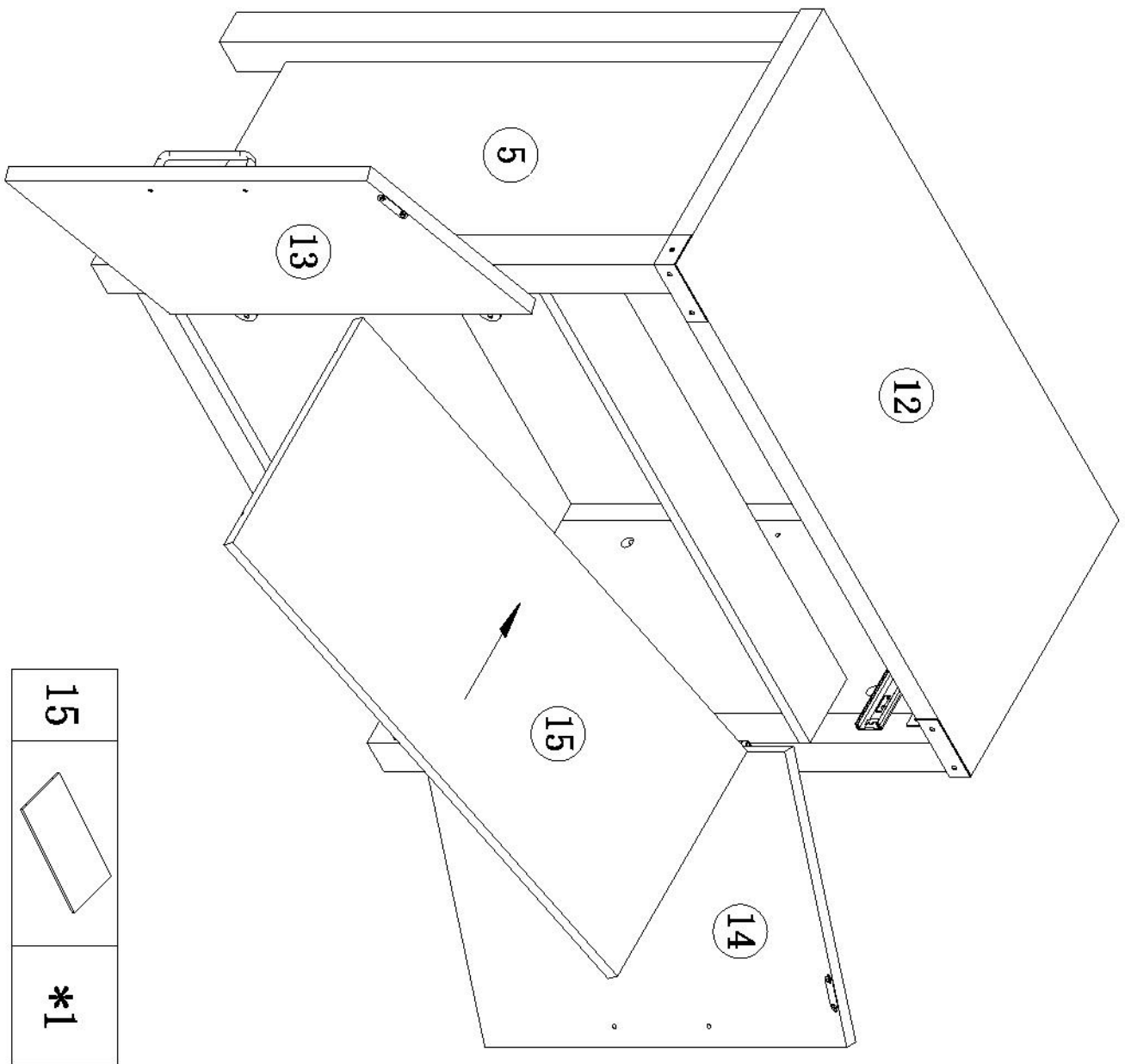


Step 14.

**Connect the doors Panel 13,14
to the cabinet body with Screw R.**

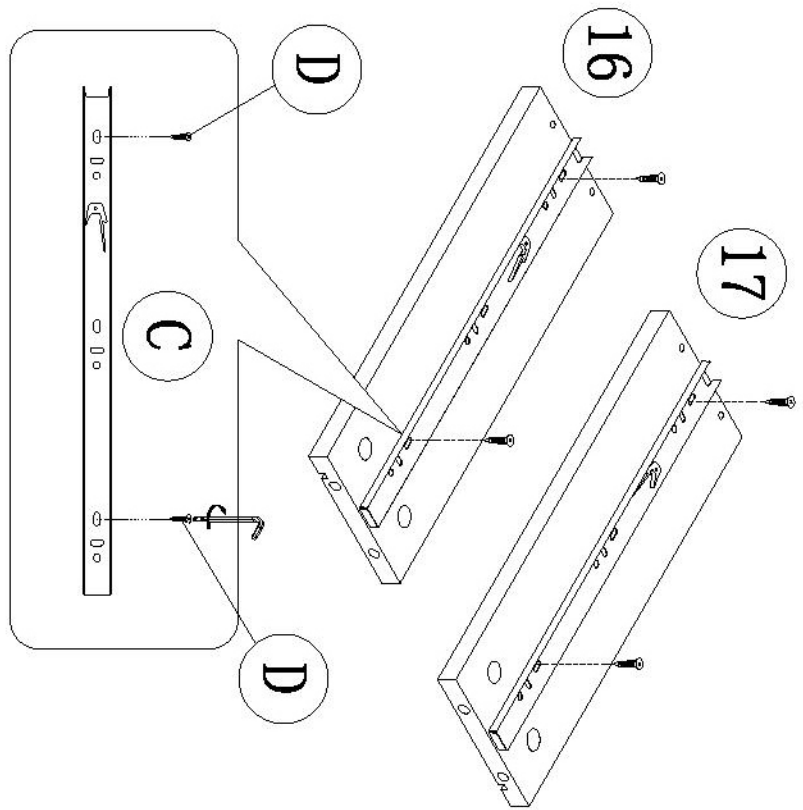


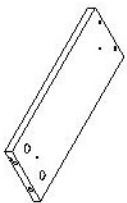
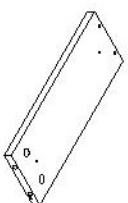
Step 15.
Insert metal part S into Panel 5,6.





Step 16.

Put on Panel 15 on the metal part S.

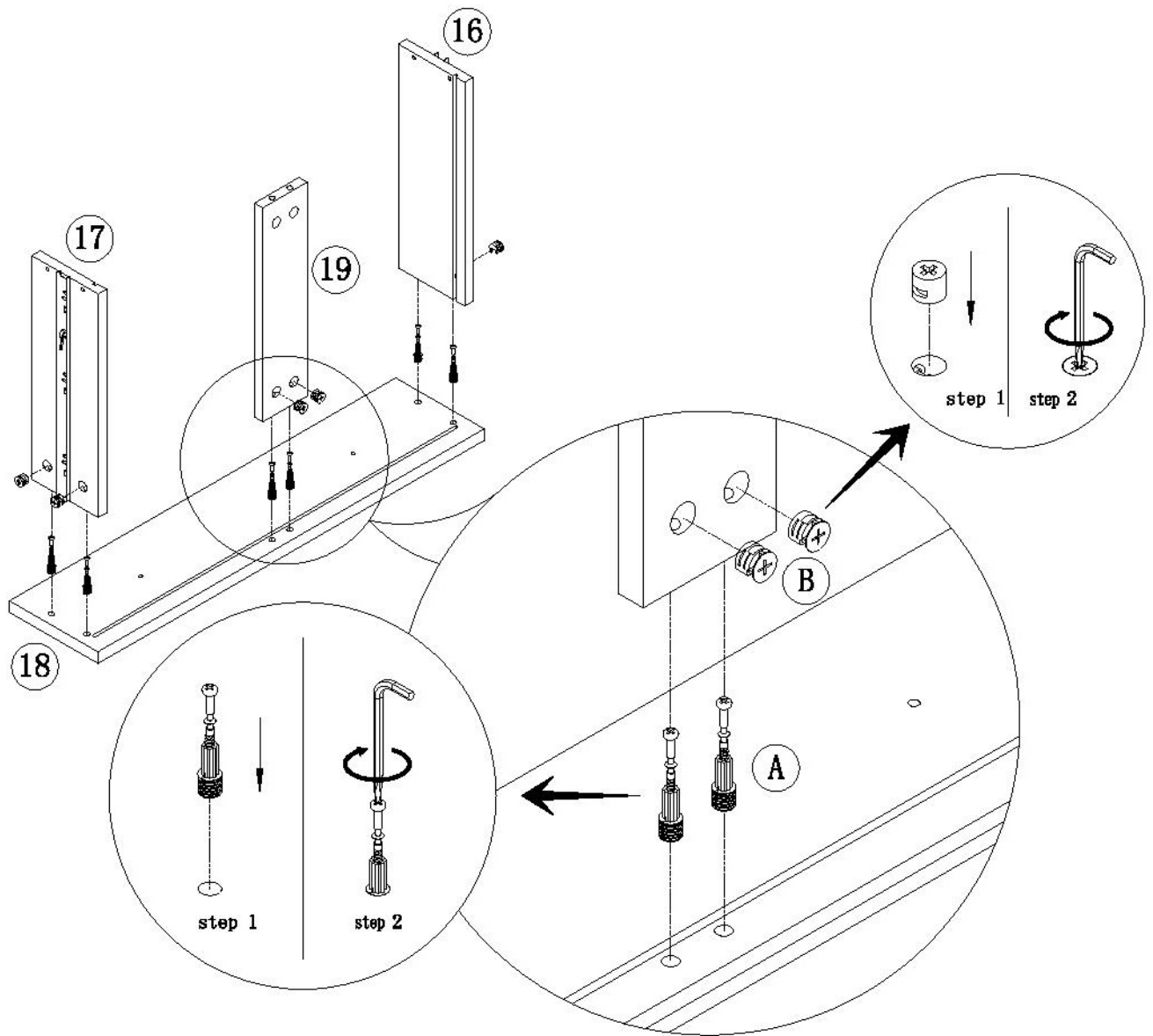



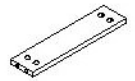
| | | |
|----|---|----|
| 16 |  | *1 |
| 17 |  | *1 |



| | | |
|---|---|----|
| C |  | *2 |
| D |  3.5*14mm | *4 |

Step 17.

fix guide rail C on Panel 16, 17 separately with Screw D.

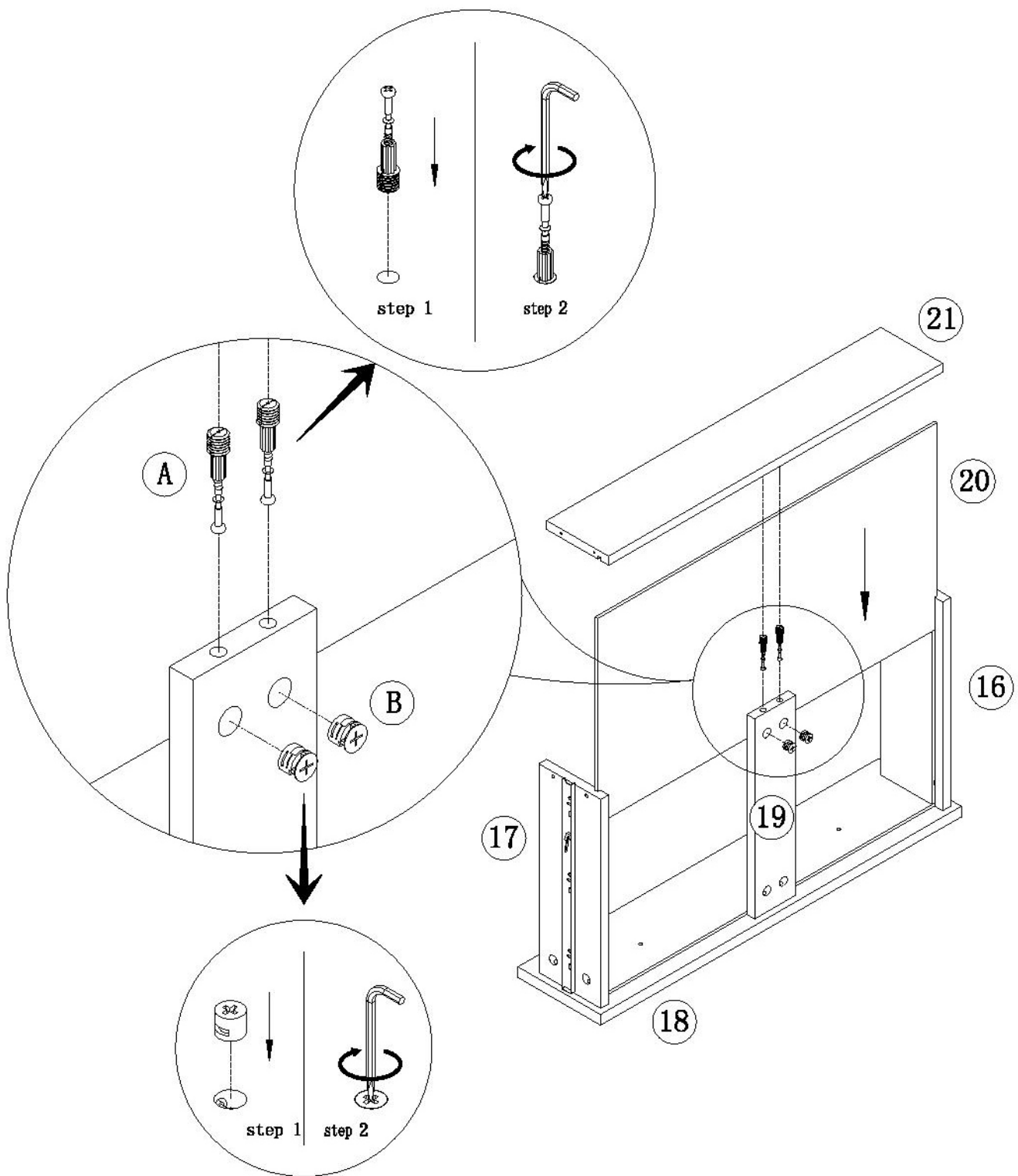


| | | |
|----|---|----|
| 18 |  | *1 |
| 19 |  | *1 |

| | | |
|---|---|----|
| A |  | *6 |
| B |  | *6 |

Step 18.

Connect Panel 16,17,19 to Panel 18 with Cam Coupling A&B.




| | | |
|----|--|----|
| 20 | | *1 |
| 21 | | *1 |

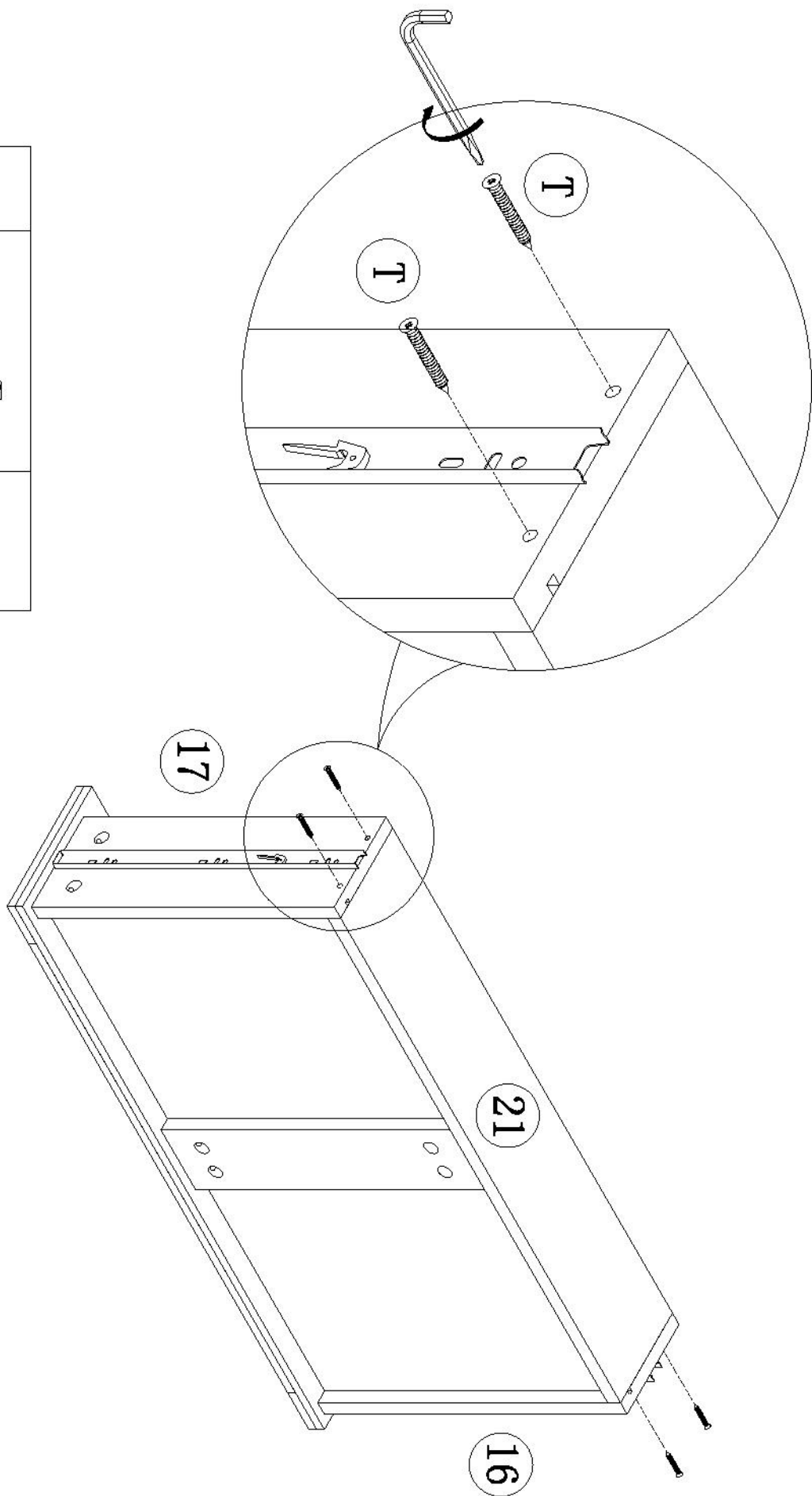
| | | |
|---|--|----|
| A | | *2 |
| B | | *2 |

Step 19.

Insert Panel 20 into Panel 16,17;

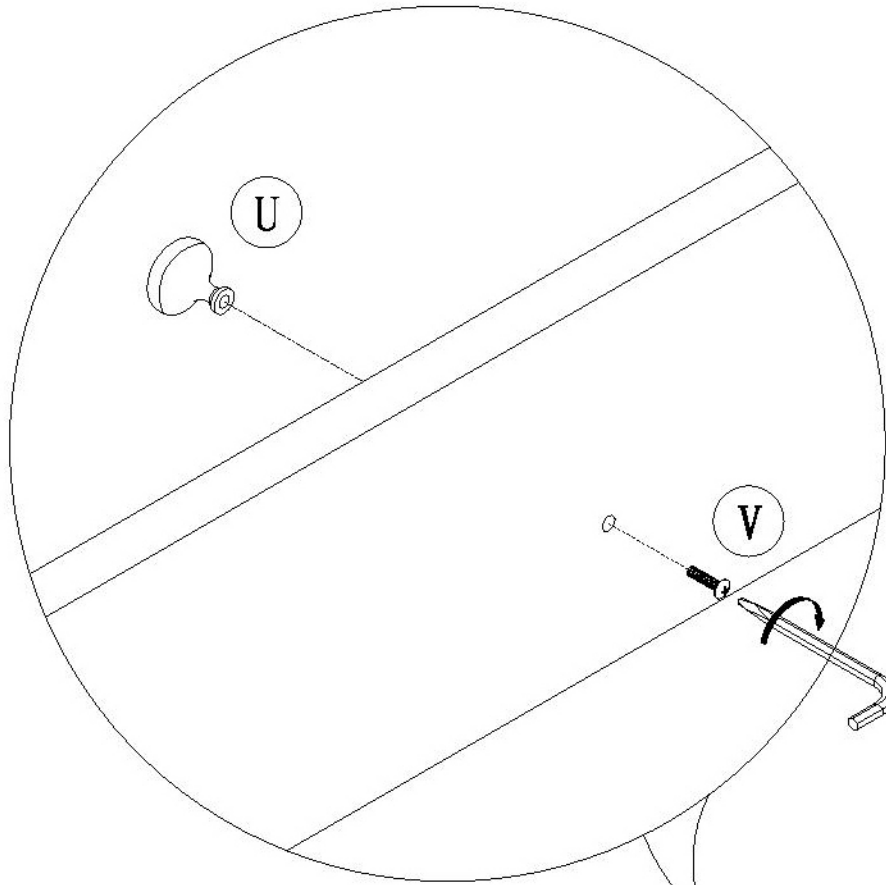
and then connect Panel 21 to Panel 16,17 with Cam Coupling A&B.



| | | |
|---|---|----|
| T |  | *4 |
| | 3,5*35mm | |

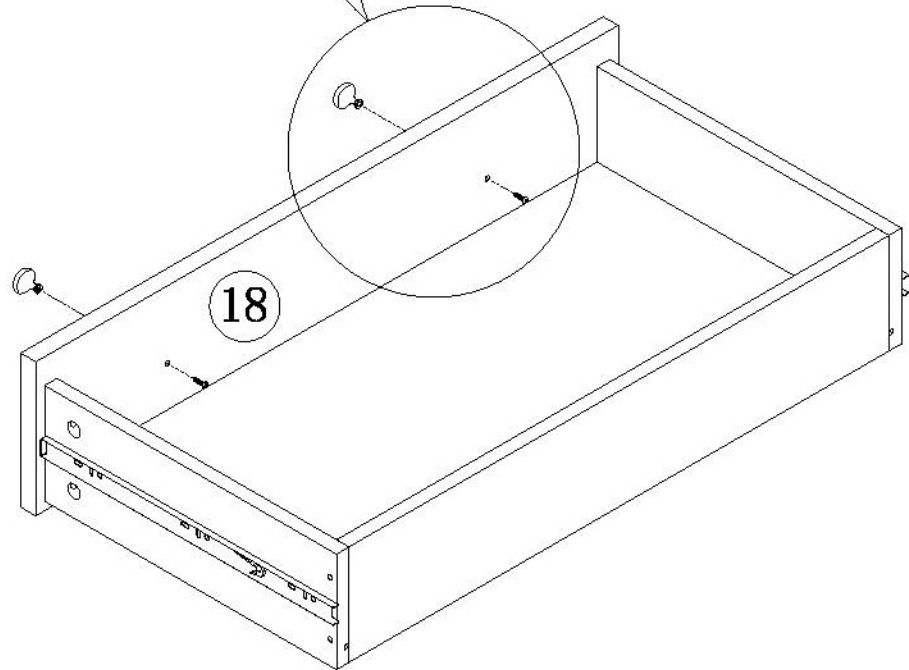


Step 20.

Strengthen Panel 21 and Panel 16,17 with Screw T.

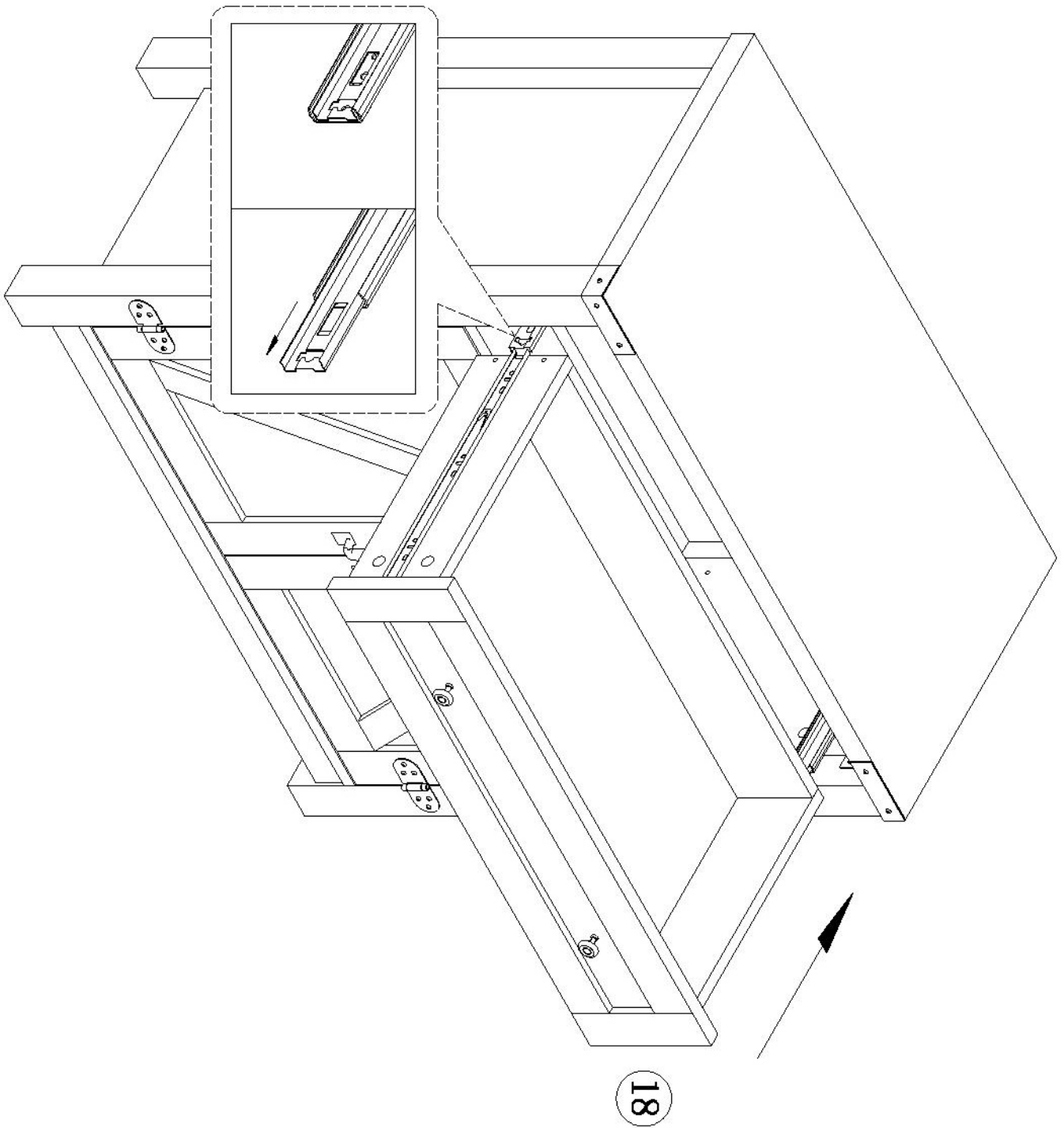


| | | |
|---|---|----|
| U |  | *2 |
| V |  4*12mm | *2 |



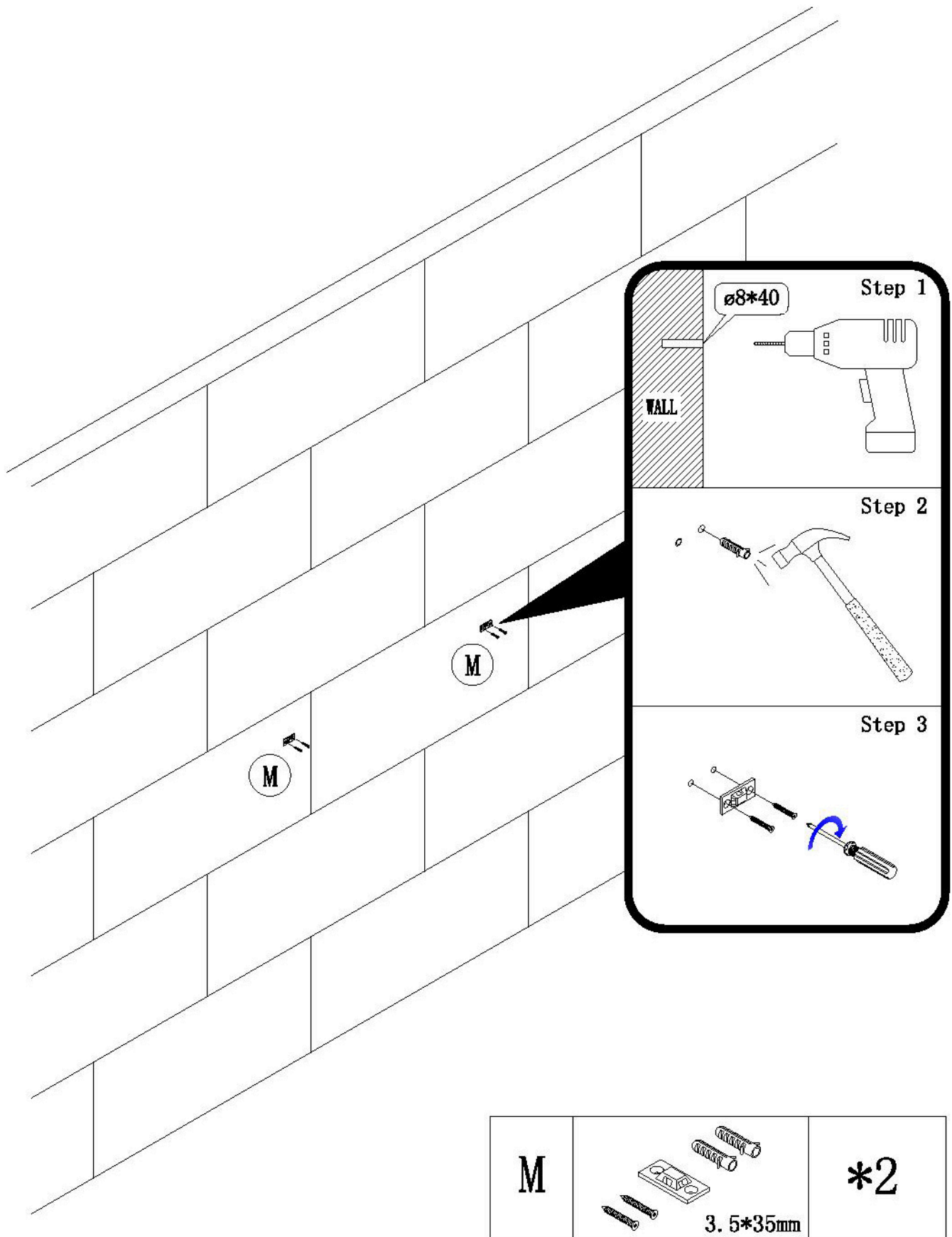
Step 21.

Put on Handle U on Panel 18 with Screw V.



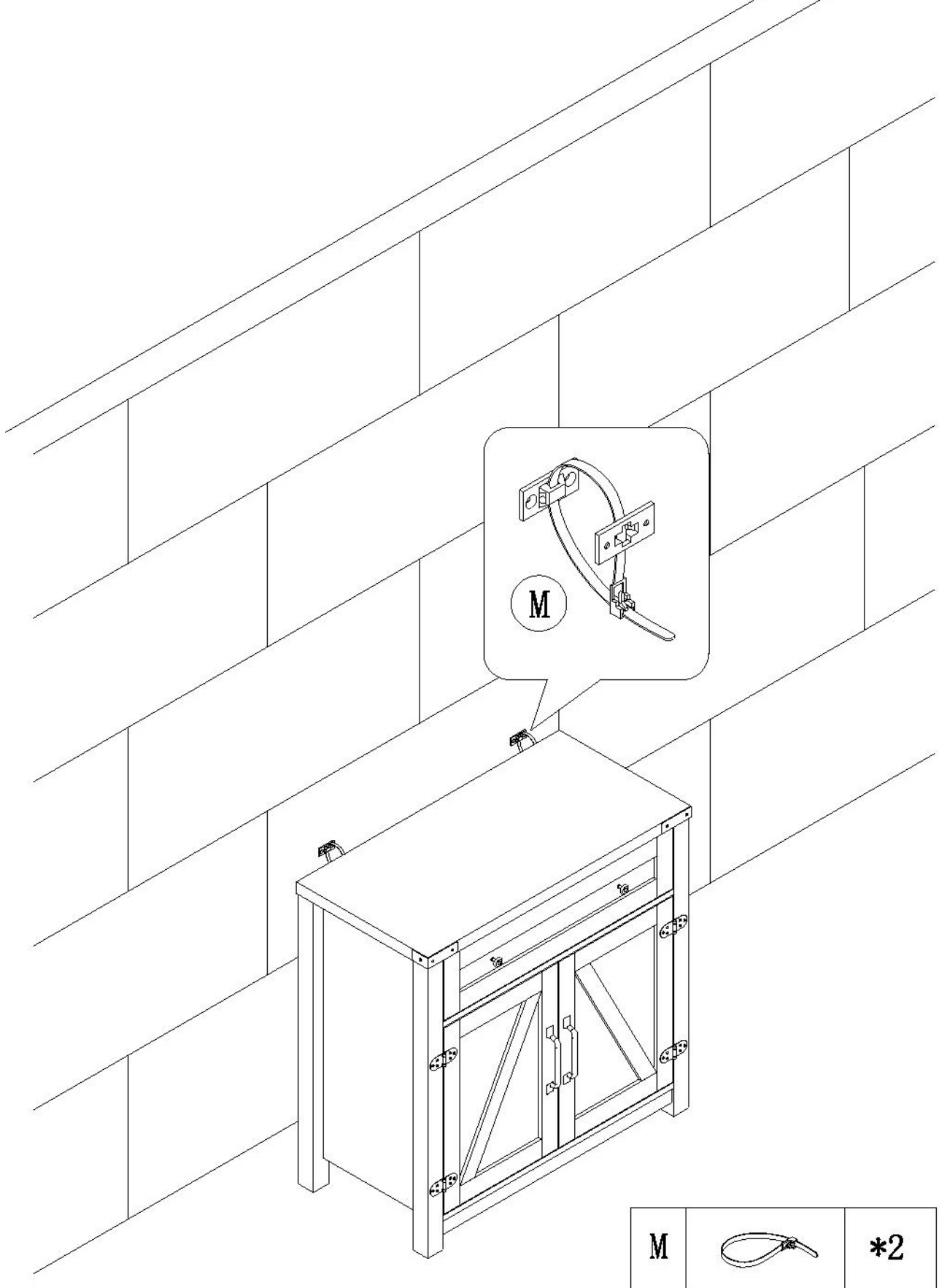
Step 22.

Insert the drawer into the cabinet body.



Step 23.

Drill holes ($\Phi 8*40$) on the wall at proper positions with electric drill,
fix M on the wall with hammer and screwdriver.

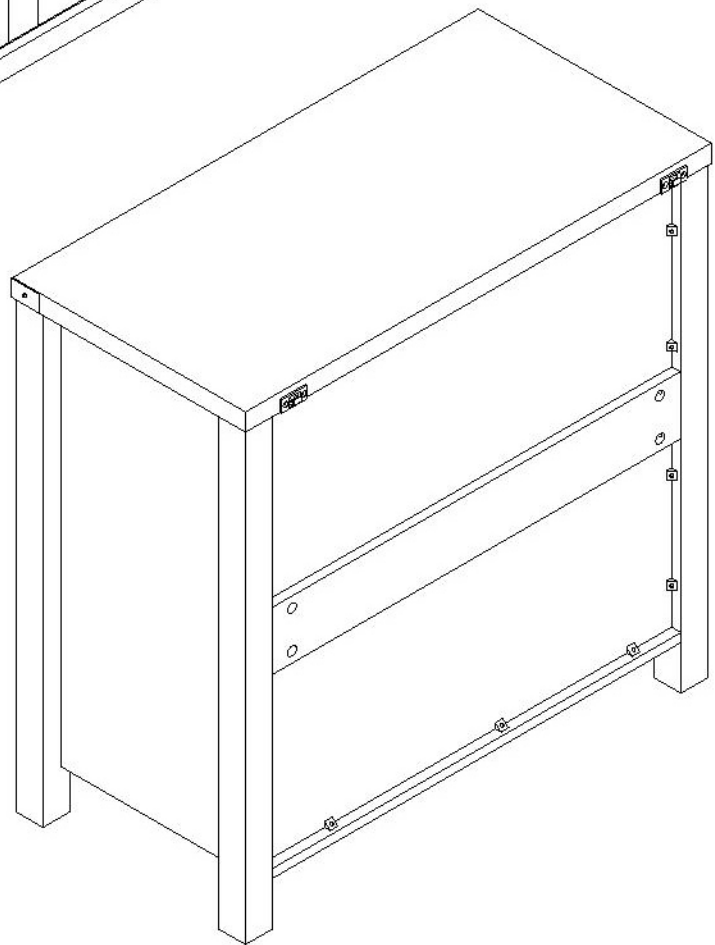
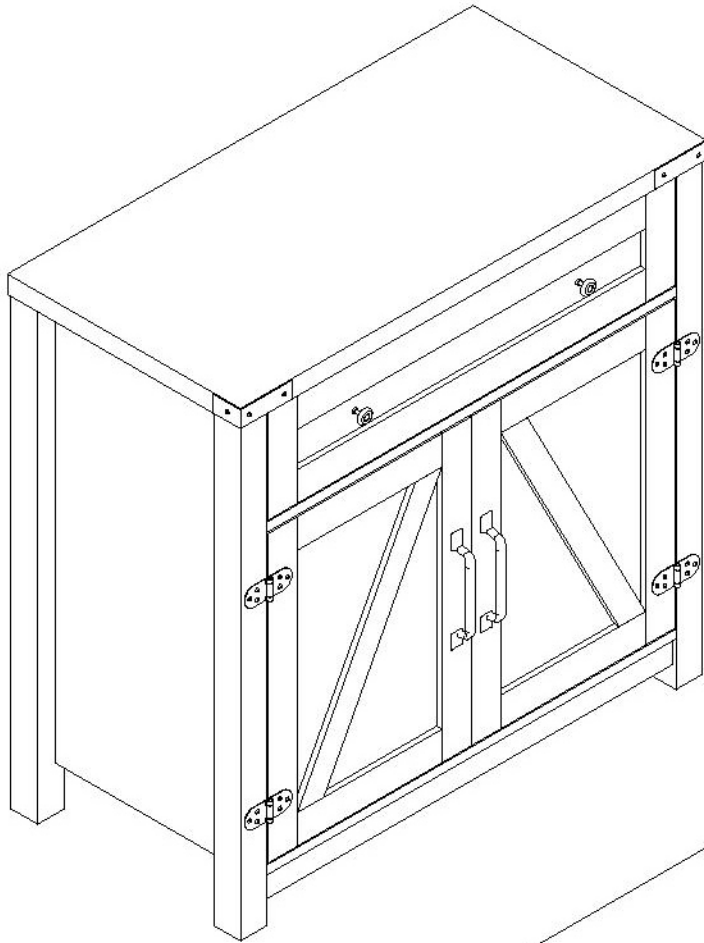


Step 24.

Using plastic ribbon M to tie the cabinet on the wall.

It will prevent the cabinet from falling.

Enjoy Your Life



CD-070