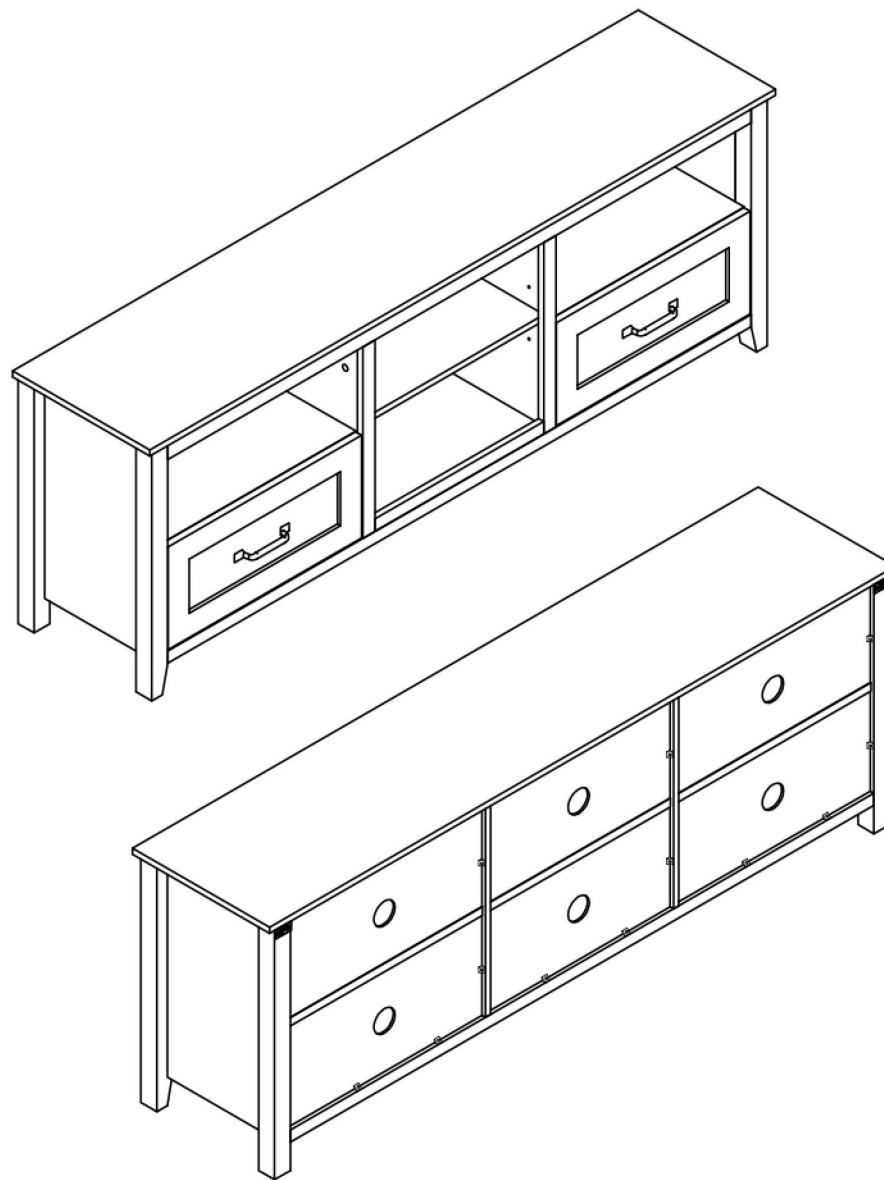





















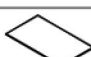
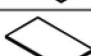


User Manual  
ASSEMBLY INSTRUCTION  
TV 40173-2








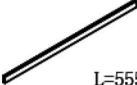
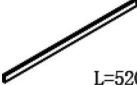











# Parts List

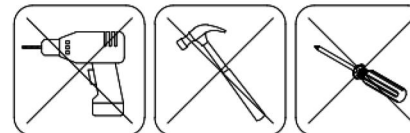
NO.	Drawing	Dimension	QTY
1		515*365*15mm	1
2		515*365*15mm	1
3		472*35*15mm	1
4		472*35*15mm	1
5		480*31*15mm	1
6		1660*380*30mm	1
7		545*290*15mm	1
8		545*290*15mm	1
9		615*45*45mm	1
10		615*45*45mm	1
11		615*45*45mm	1
12		615*45*45mm	1

NO.	Drawing	Dimension	QTY
13		555*346*15mm	2
14		1660*43*15mm	1
15		565*262*4mm	4
16		530*262*4mm	2
17		1780*390*15mm	1
18		300*140*15mm	2
19		300*140*15mm	2
20		551*253*18mm	2
21		500*140*15mm	2
22		510*294*4mm	2
23		518*344*15mm	1

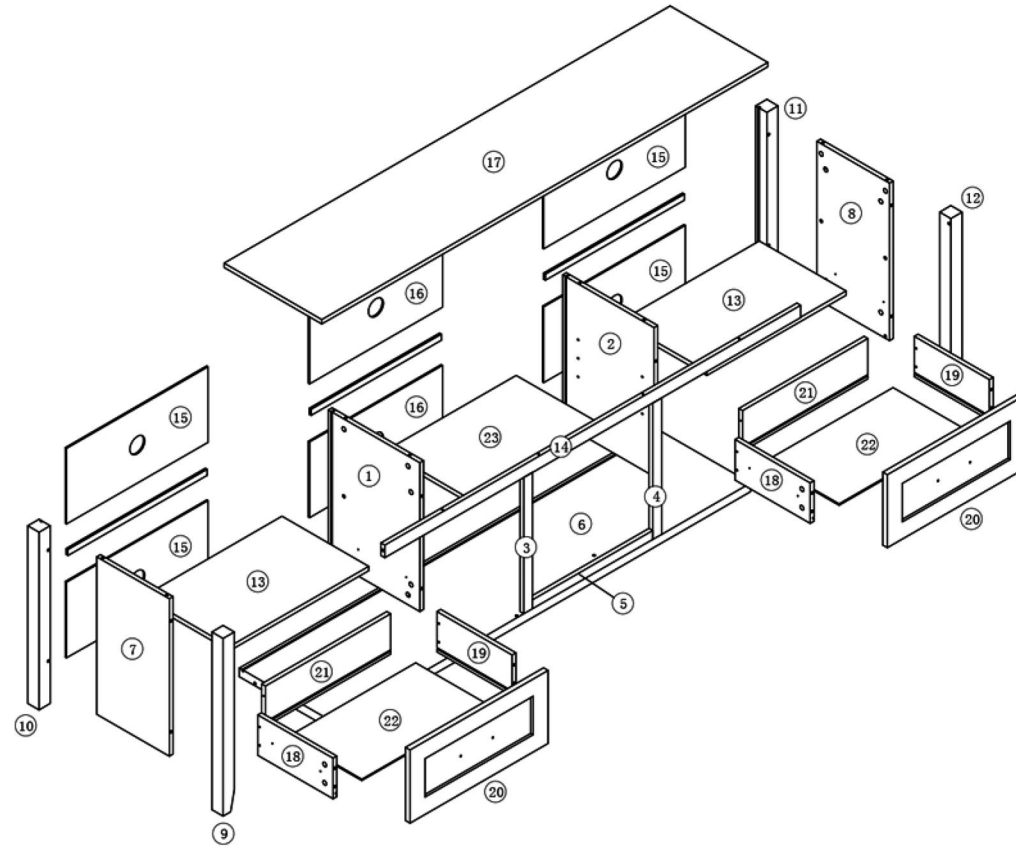
# Hardware Fitting

NO.	Drawing	QTY
A		46
B		46
C		4
D	 3.5*14mm	24
E	 8*40mm	2
F	 7*38mm	2
G	 38*80mm	2
H	 L=555mm	2
I	 L=520mm	1
J		24
K	 3.0*14mm	24

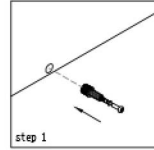
NO.	Drawing	QTY
L	 3.5*35mm 3.5*14mm	2
M	 3.5*35mm	12
N		2
O	 4*12mm	4
P	 5*14mm	4
	 4mm	1
		48



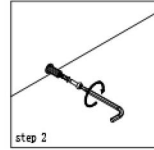
# Split Graph



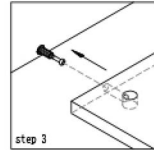
# Cam Coupling Using Methods



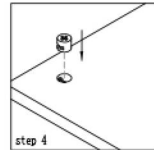
Step1.  
Connect the cam coupling A as directed in the assembly instructions using hand.



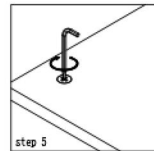
Step2.  
Screw the cam coupling A as directed in the assembly instructions.



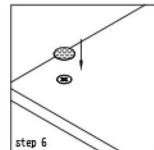
Step3.  
Push the cam coupling A into the entry hole.



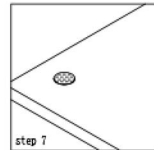
Step4.  
Insert the cam coupling B as shown in the instructions.



Step5.  
Turn the cam coupling B clockwise with a screwdriver



Step6.  
Put on Beautycam.



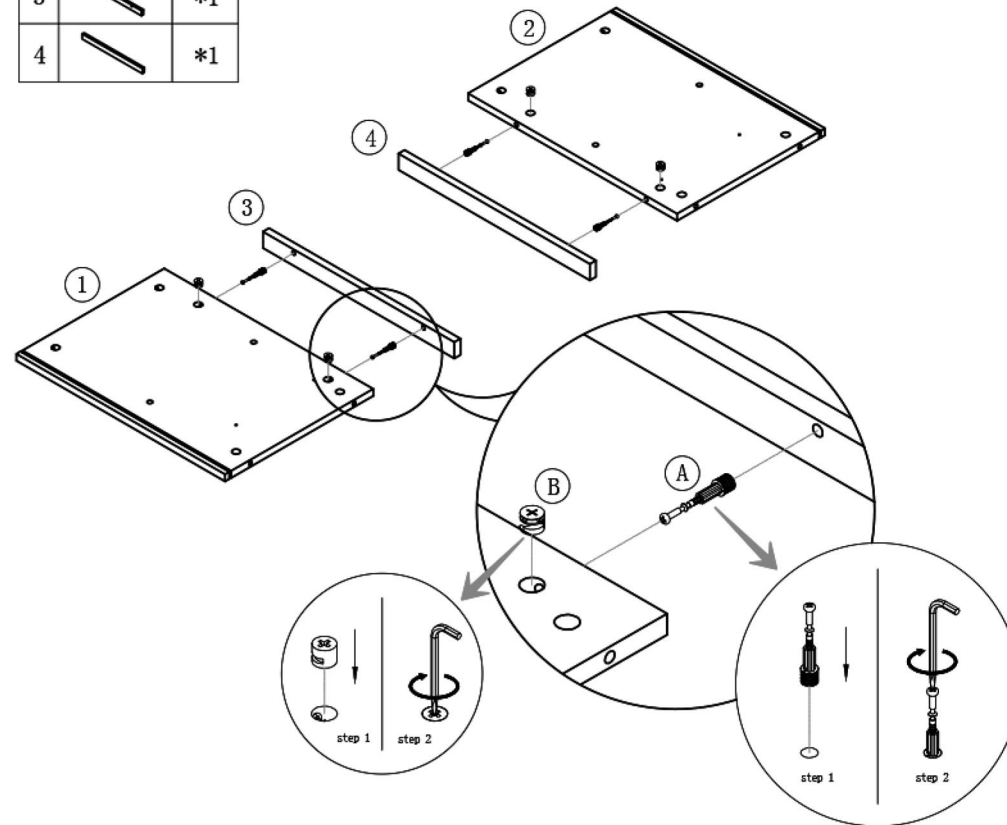
Step7.  
Finished.

You should feel a click when the camlock is locked in place.  
The joint is now secure.

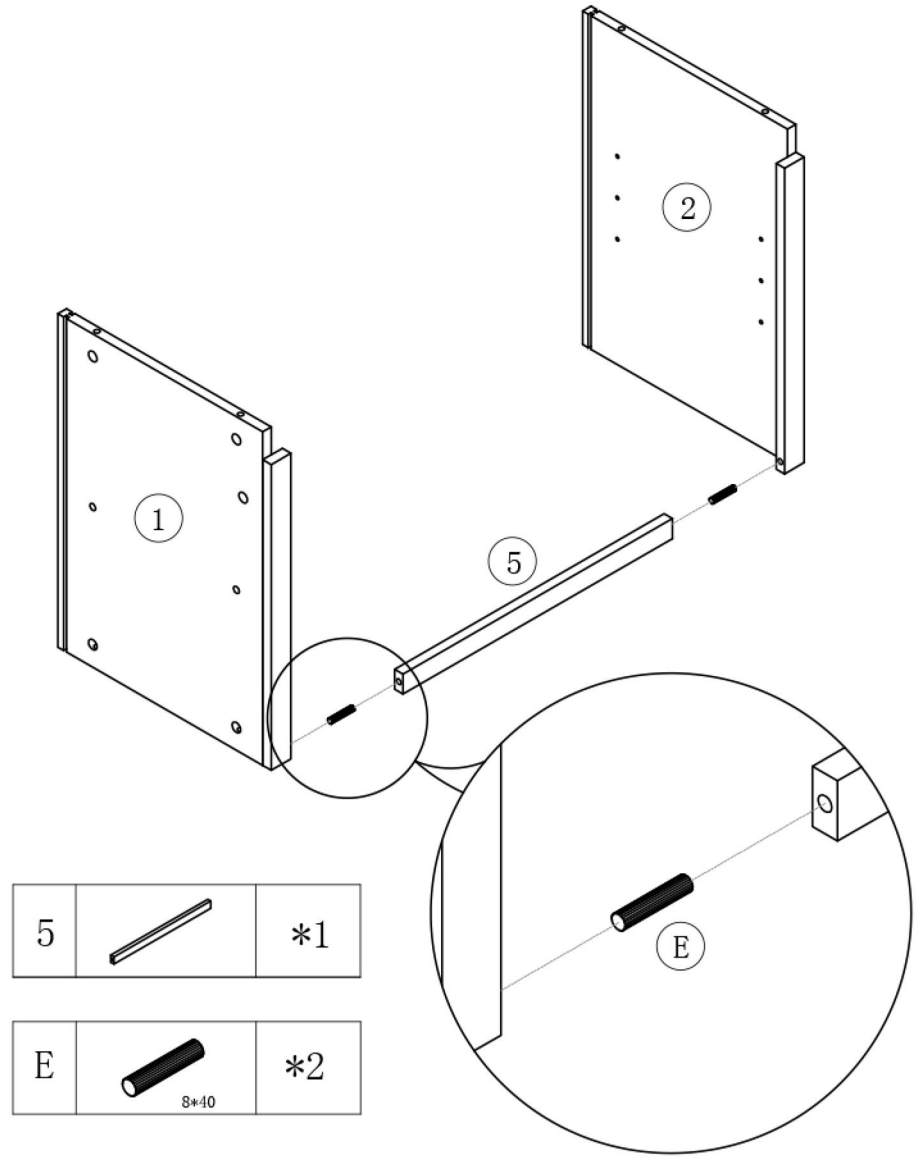
# Note: Cam Coupling Using Method, Please refer to Page 4.

1		*1
2		*1
3		*1
4		*1

A		*4
B		*4

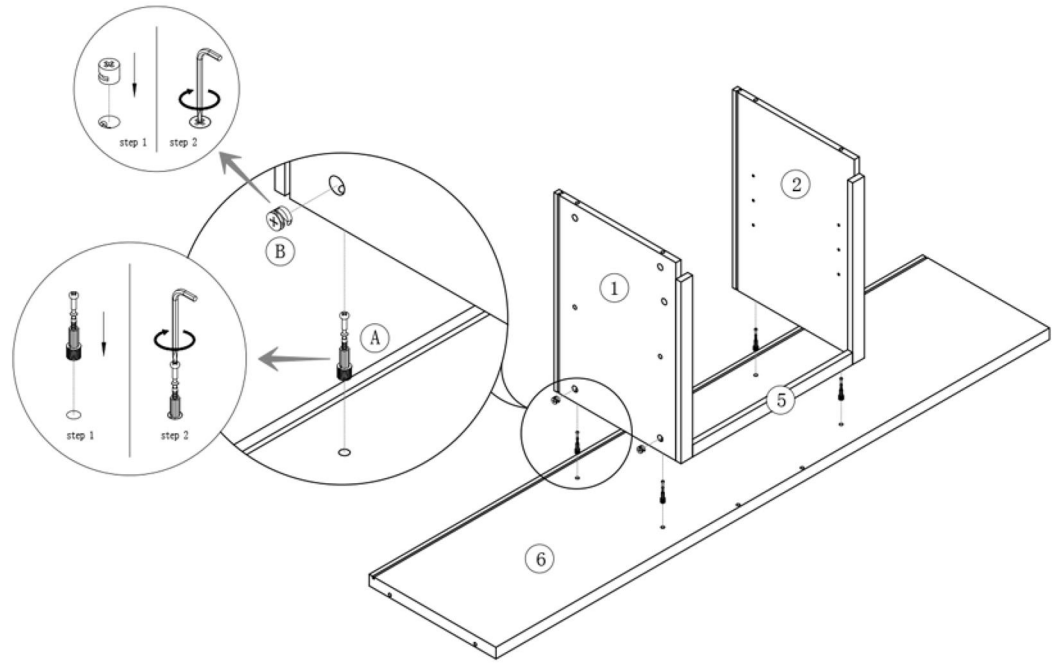


Step 1.  
Connect Panel 3 to Panel 1,  
And Connect Panel 4 to Panel 2 with Cam Coupling A&B.



5		*1
E		*2

Step 2.  
Connect Panel 5 to Panel 3,4 with E.

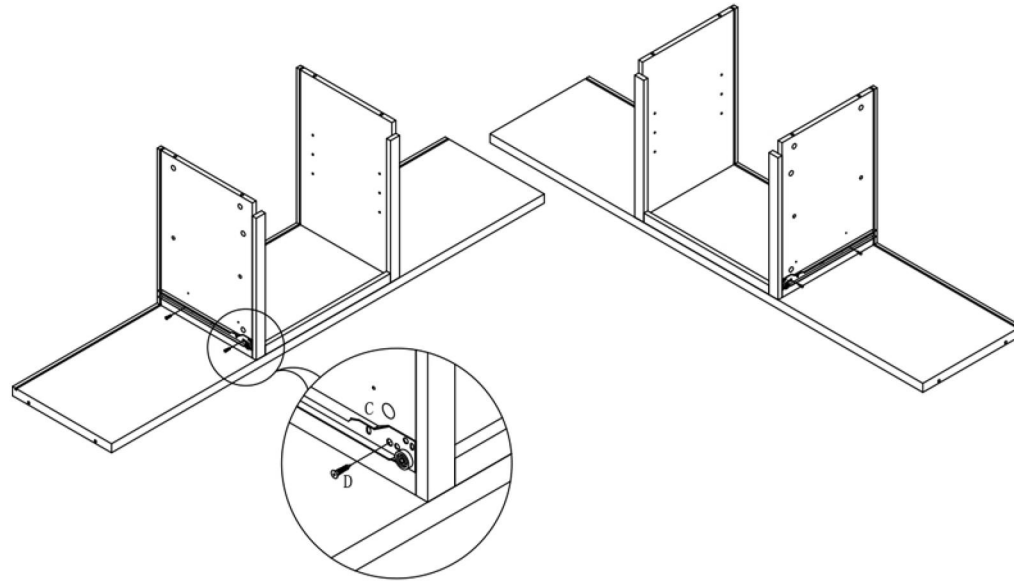


6		*1
---	--	----

A		*4
B		*4

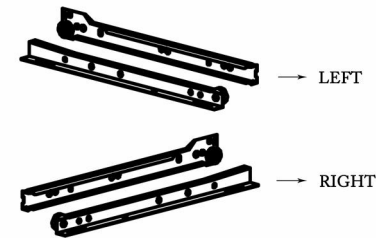
Step 3.  
Connect Panel 1,2 to Panel 6 with Cam Coupling A&B.



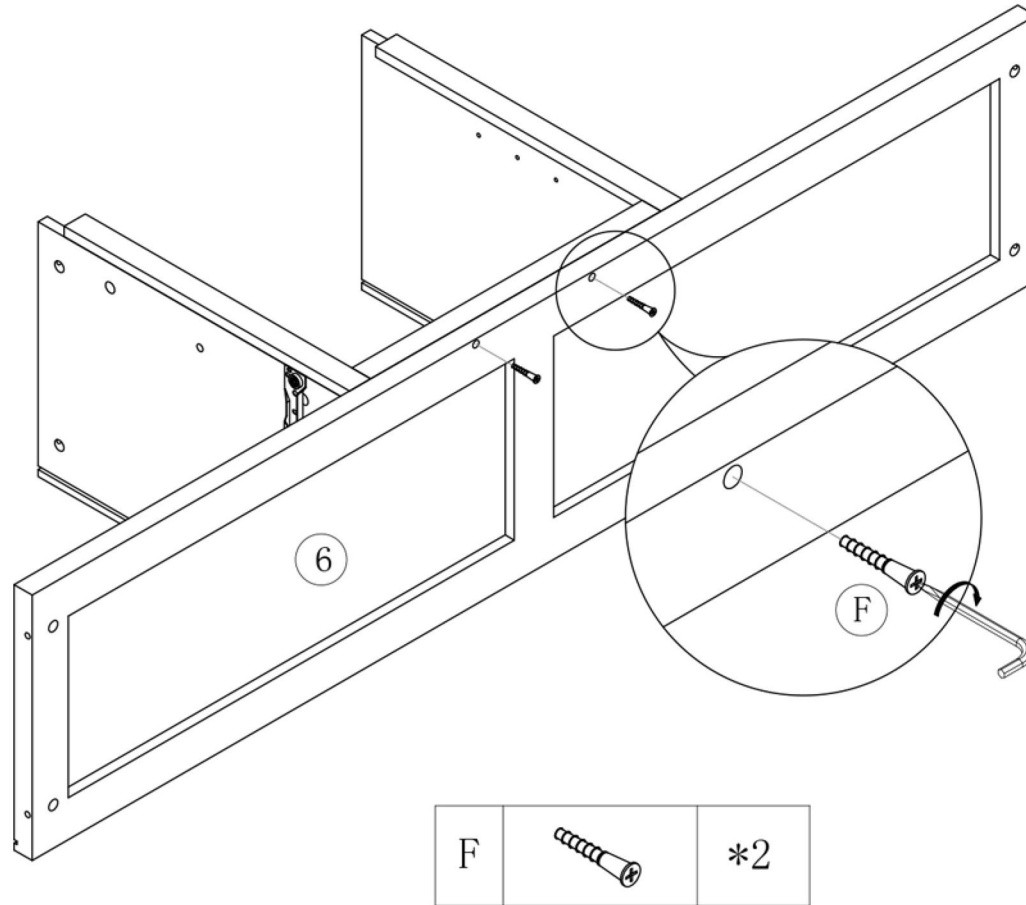


1		*1	C		*2
2		*1	D		*4
6		*1			

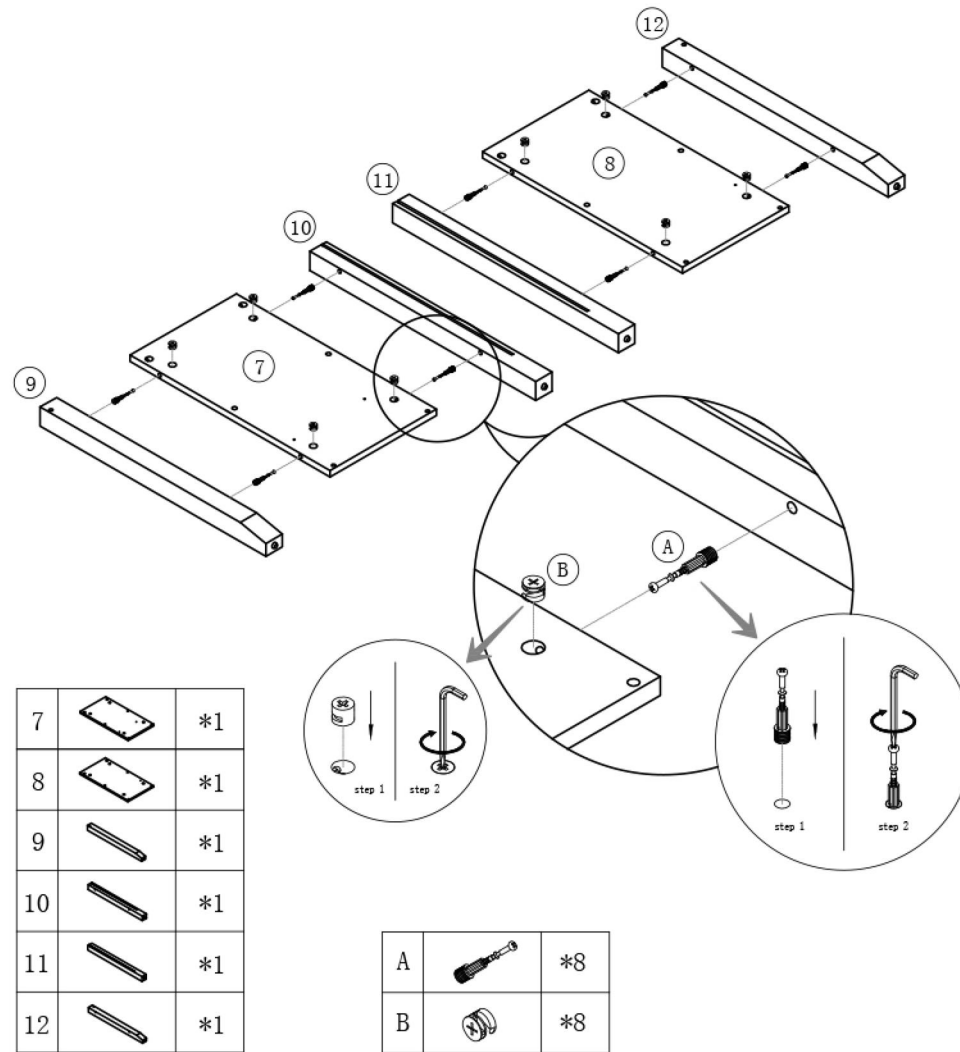
NOTE: Drawer rails should be assembled separately .



Step 4.  
Fix C to Panel 1,2 with Screw D separately.



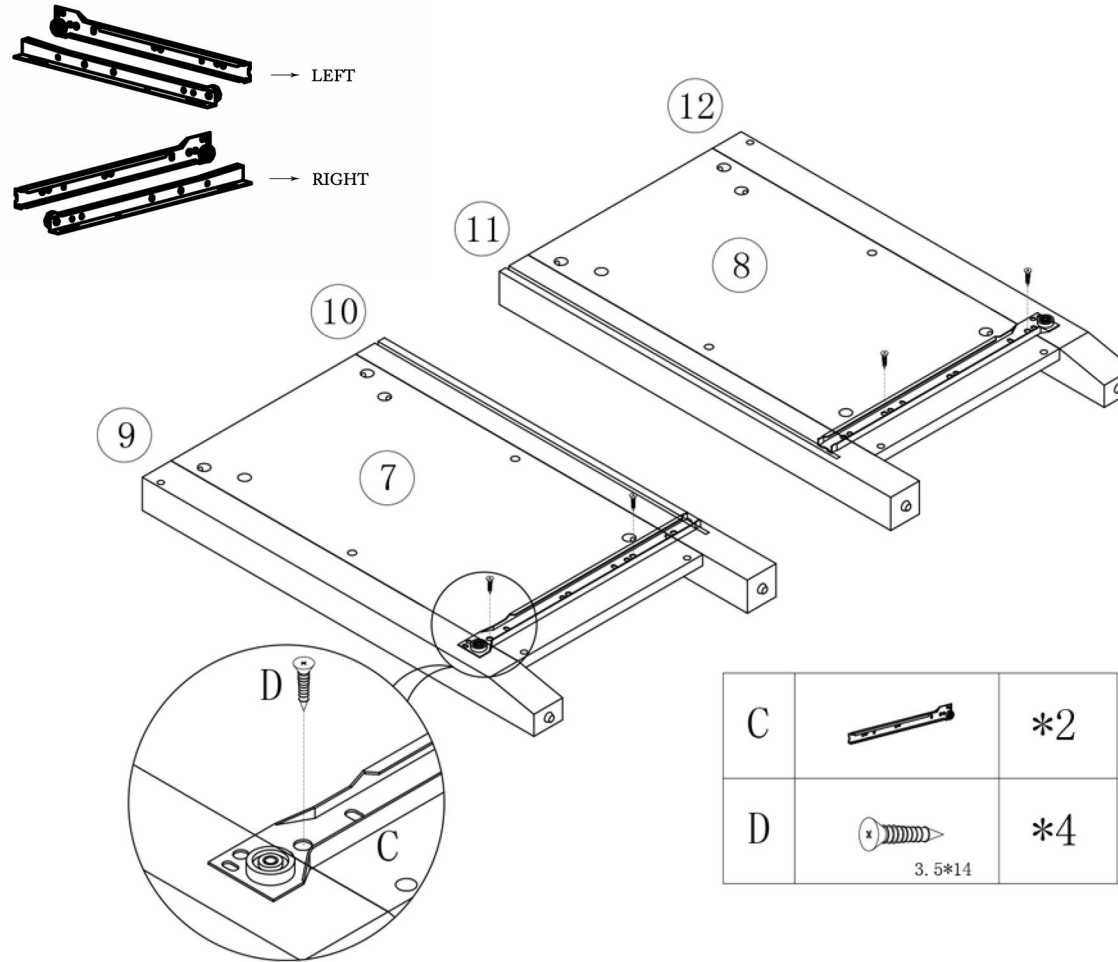
Step 5.  
Fix Panel 6 to Panel 5 with Screw F.



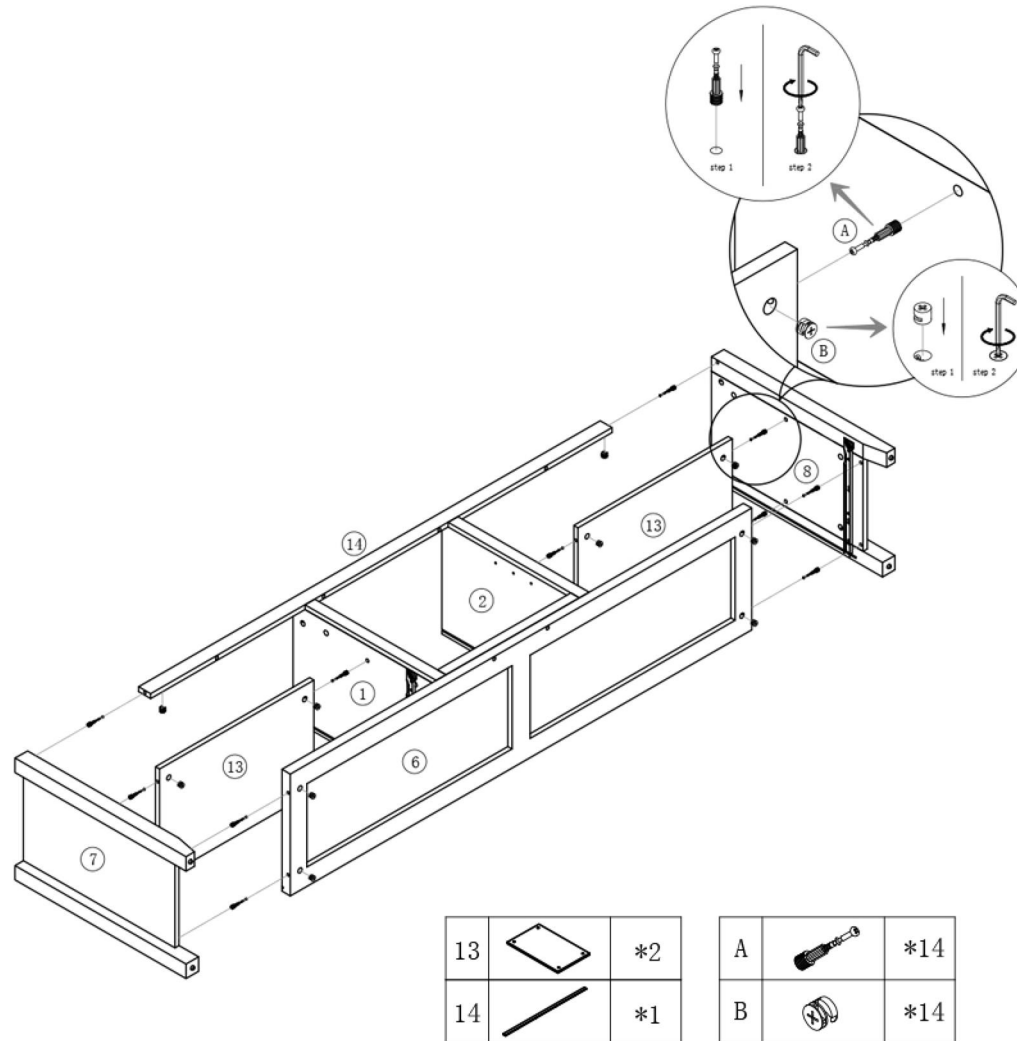
Step 6.

Connect Panel 9,10 to Panel 7 with Cam Coupling A&B.  
 Connect Panel 11,12 to Panel 8 with Cam Coupling A&B.

NOTE: Drawer rails should be assembled separately .

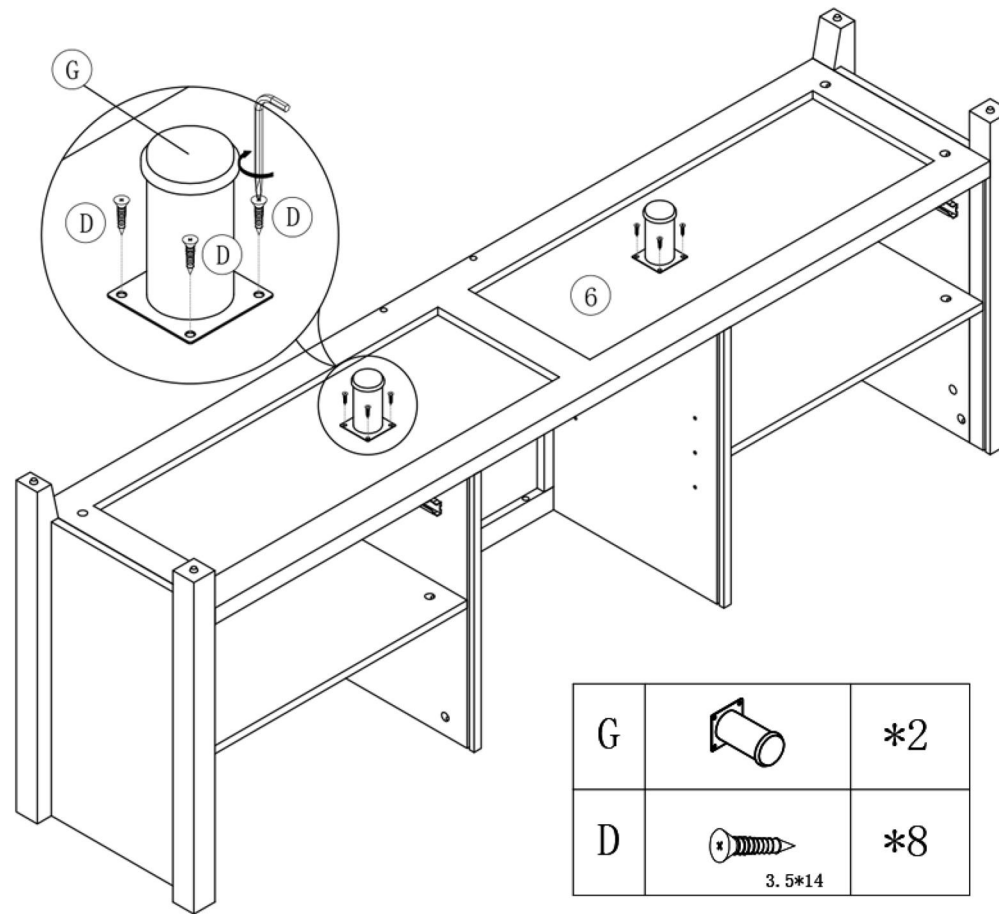


Step 7.  
Fix C to Panel 7,8 with Screw D separately.

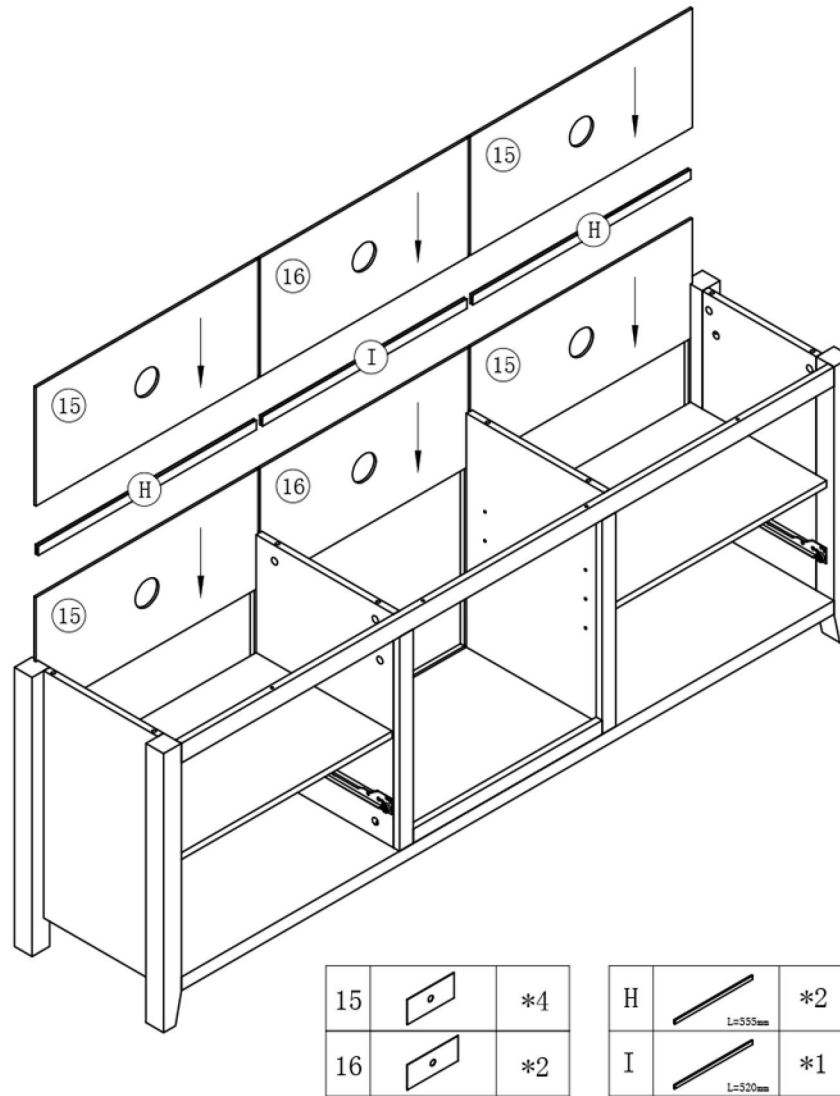


Step 8.

Connect Panel 1,2 to Panel 14 with Cam Coupling A&B;  
 Connect 2PCS Panel 13 to Panel 1,2 with Cam Coupling A&B;  
 Connect Panel 7,9,10 to Panel 6,13,14 with Cam Coupling A&B;  
 Connect Panel 8,11,12 to Panel 6,13,14 with Cam Coupling A&B.

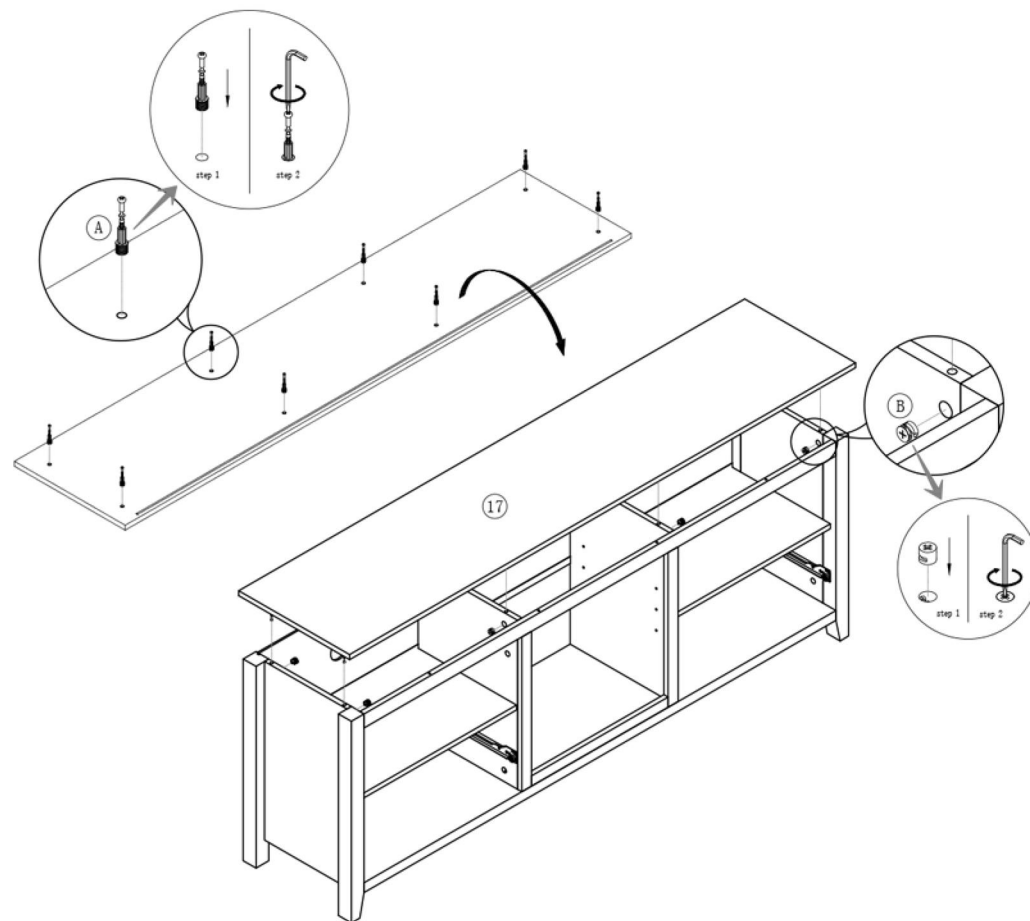



Step 9.  
Fix G to Panel 6 with Screw D.





Step 10.

Insert Panel 15, Plastic H, Panel 15 into Panel 1,10 one by one;  
 Then insert Panel 16, Plastic I, Panel 16 into Panel 1,2;  
 Insert Panel 15, Plastic H, Panel 15 into Panel 11,12.

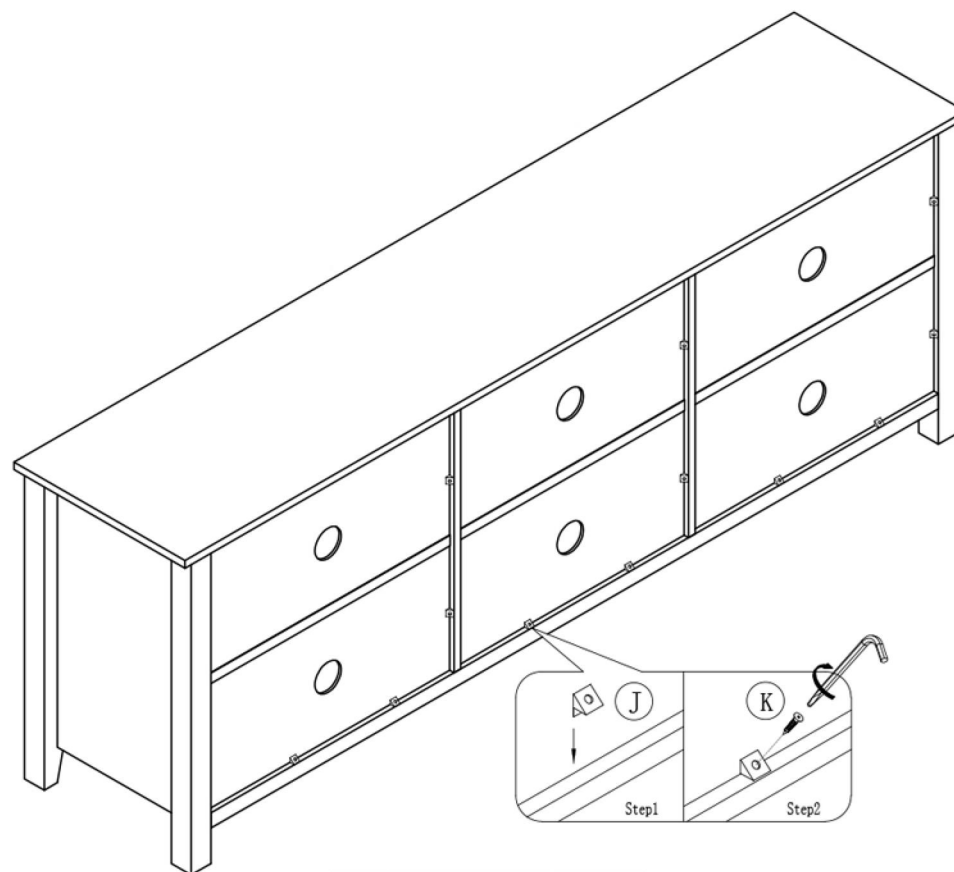




17		*1
----	--	----

A		*8
B		*8

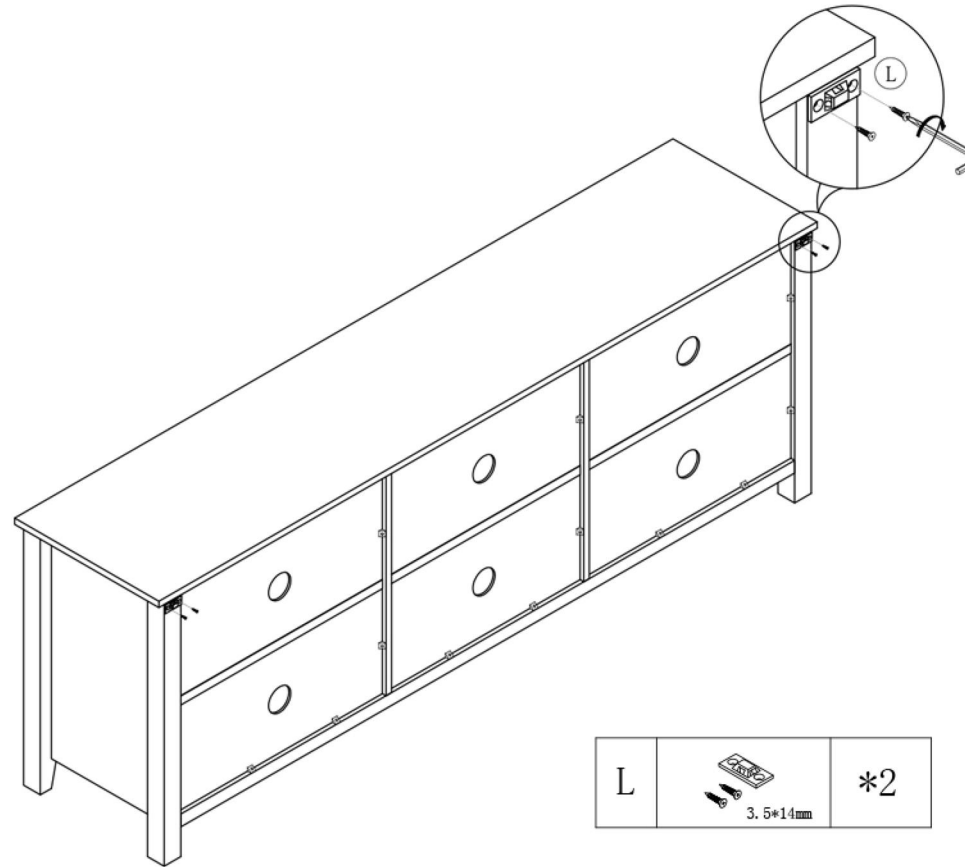
Step 11.  
Fix Panel 17 to TV stand body with Cam Coupling A&B.



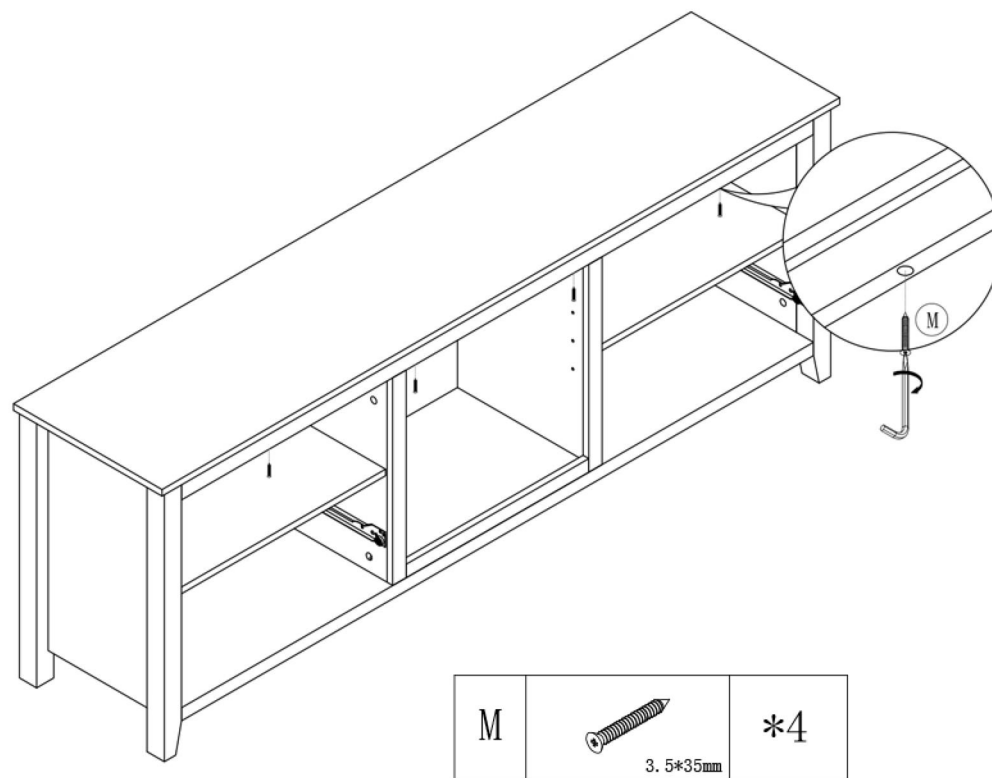


J		*24
K	 3.0*14mm	*24

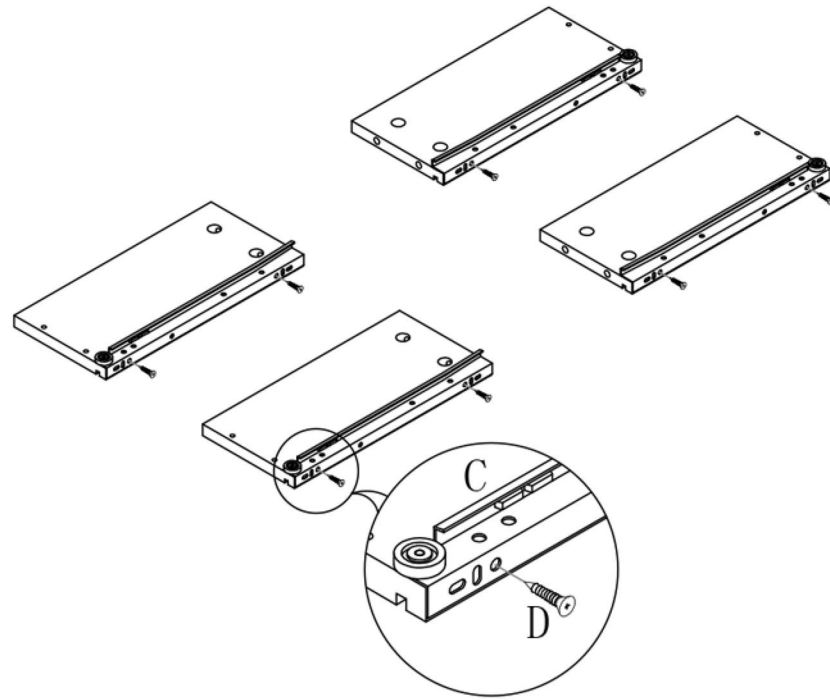
Step 12.  
Strengthen the TV stand body with J by Screw K.



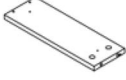



Step 13.  
Fix L on Panel 11,10 by Screw L.

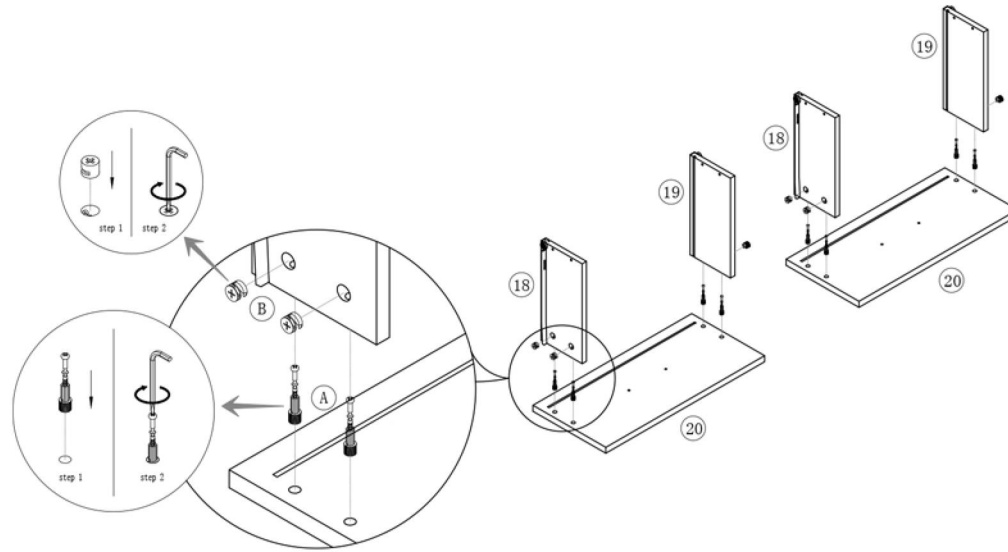



Step 14.  
Fix Panel 14 to Panel 17 by Screw M.




18		*2	C		*4
19		*2	D	 3.5*14mm	*8

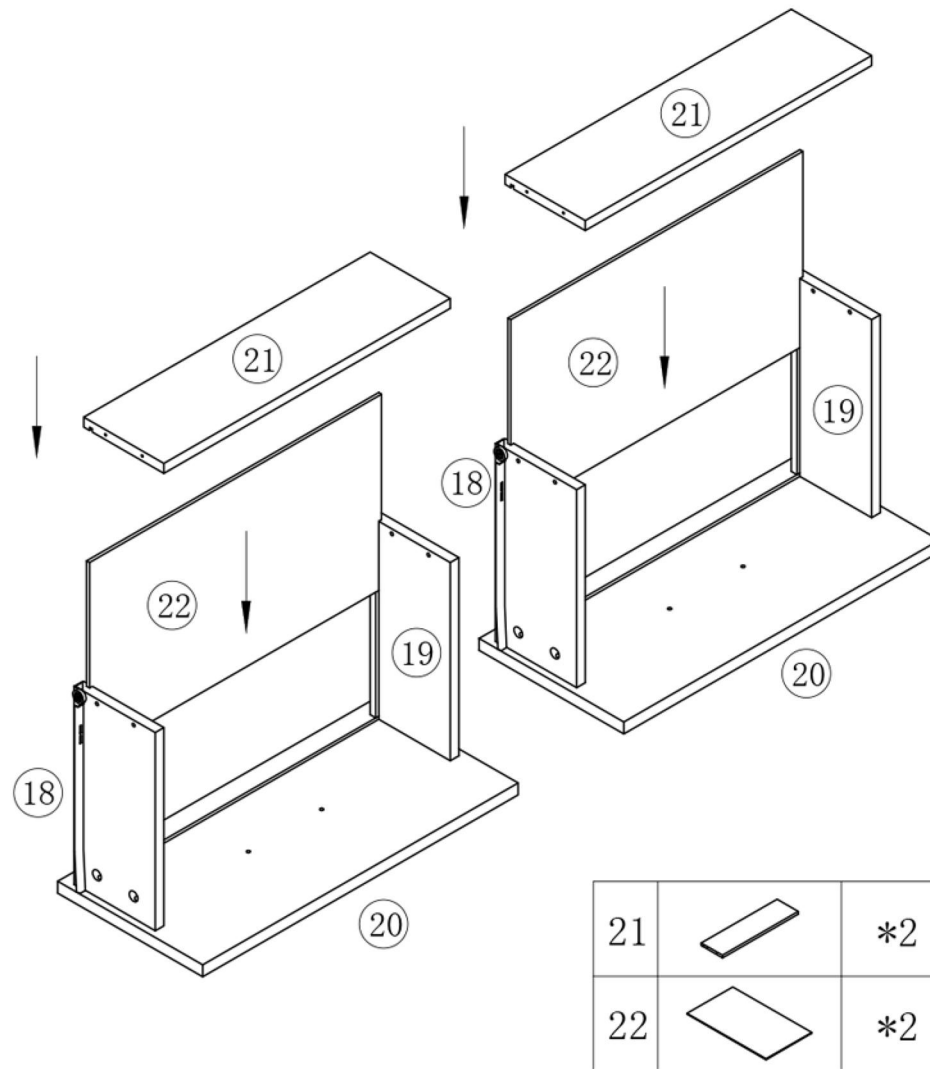
Step 15.  
Fix C to Panel 18,19 with Screw D seperately.



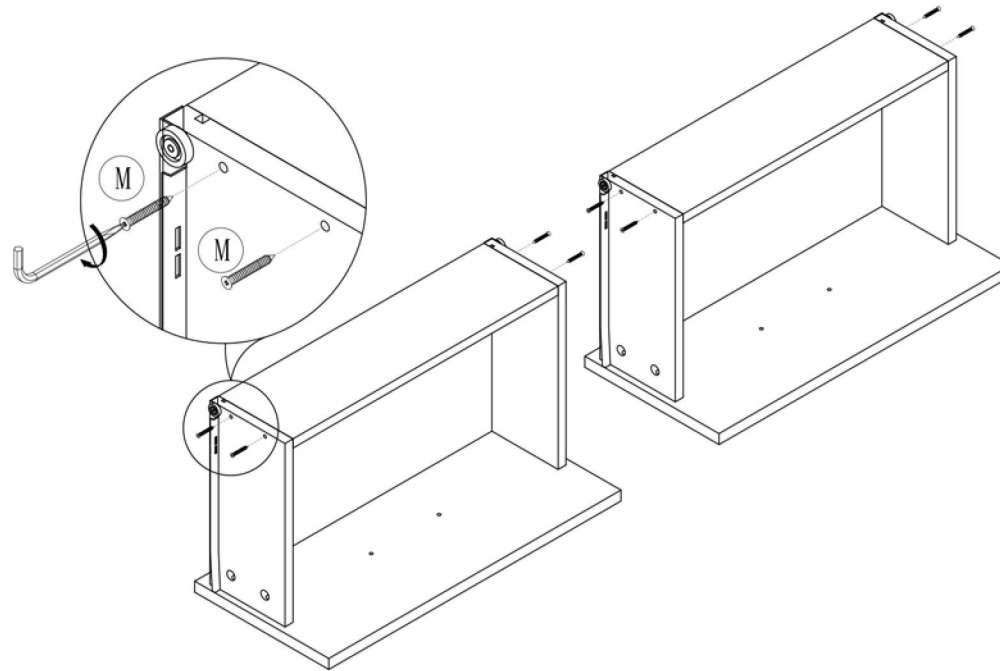
20		*2
----	--	----


A		*8
B		*8

Step 16.  
Connect Panel 18,19 to 2PCS Panel 20 with Cam Coupling A&B.

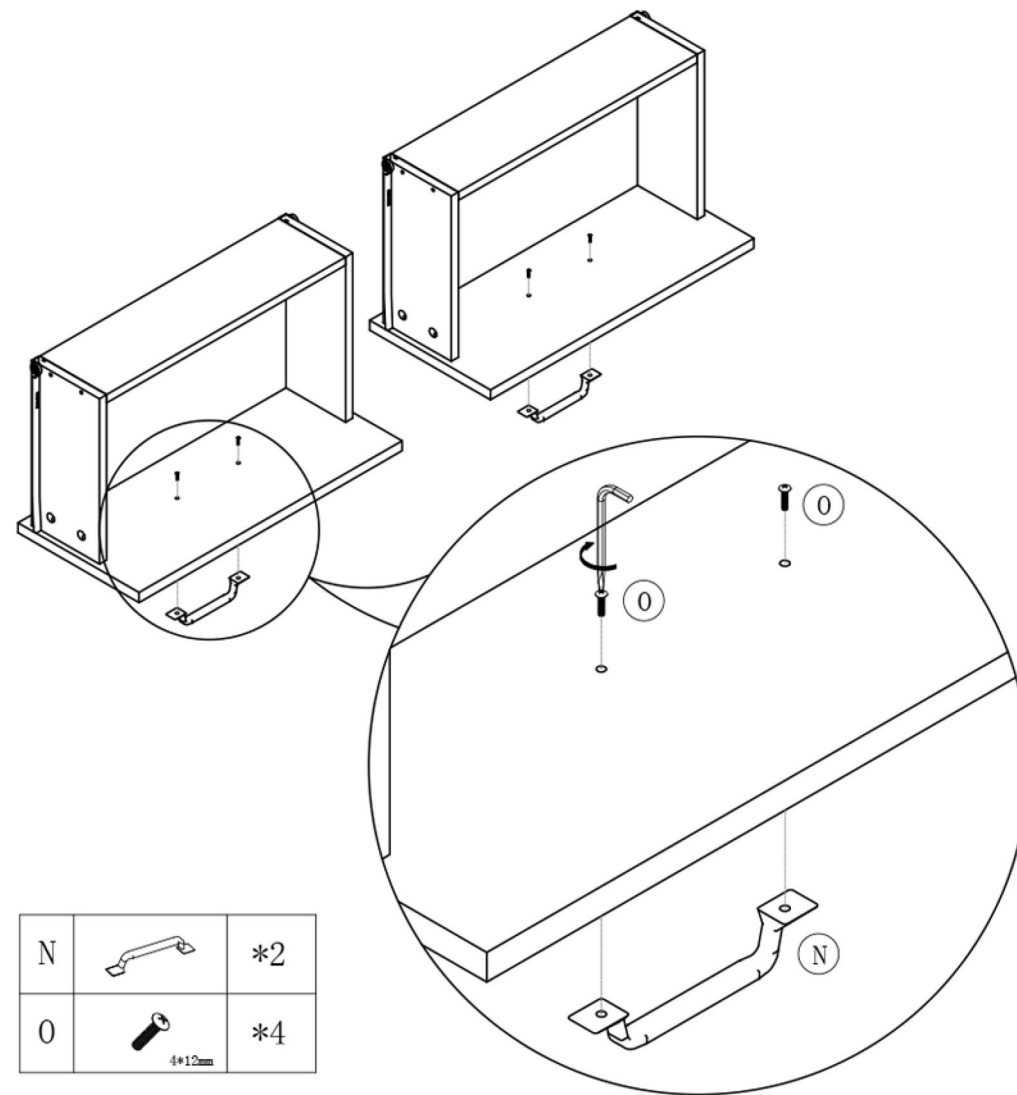


Step 17.  
 Insert Panel 22 into Panel 18,19;  
 Connect Panel 18,19 to Panel 21 with Cam Coupling A&B.



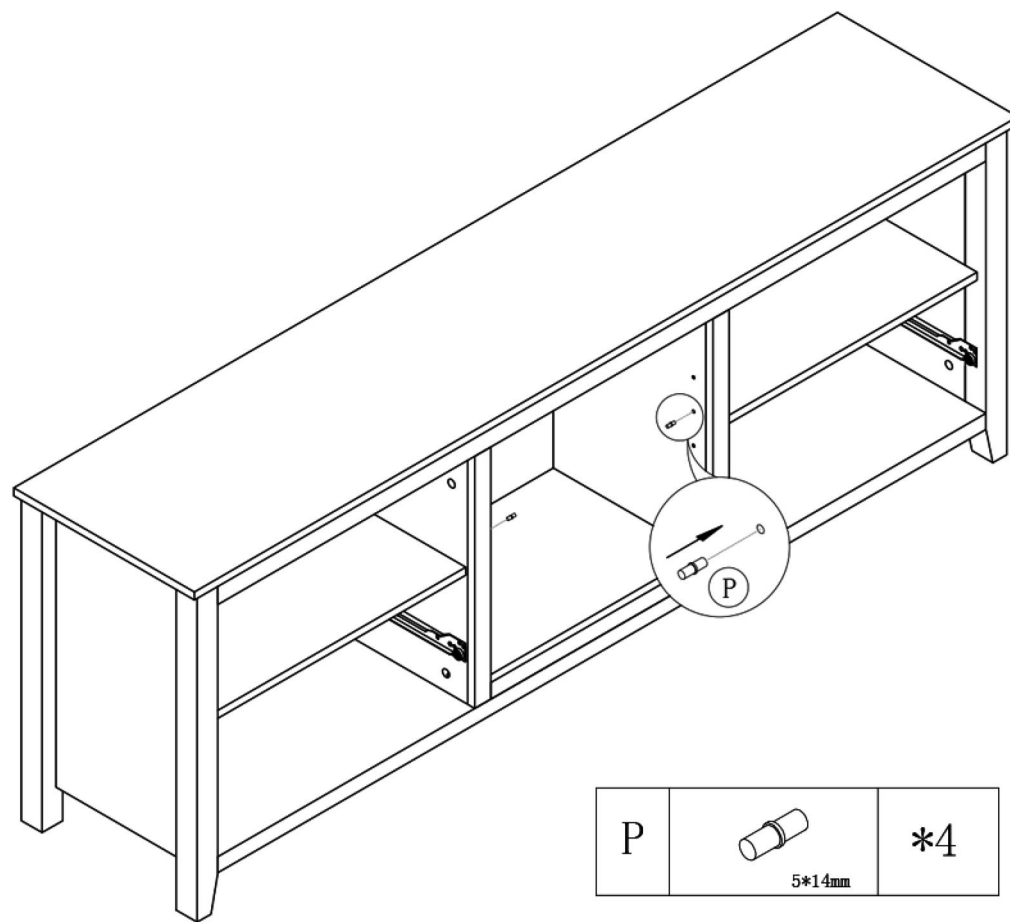
M	 3.5*35mm	*8
---	--	----

Step 18.  
Strengthen Panel 18,19 and Panel 21 with Screw M.

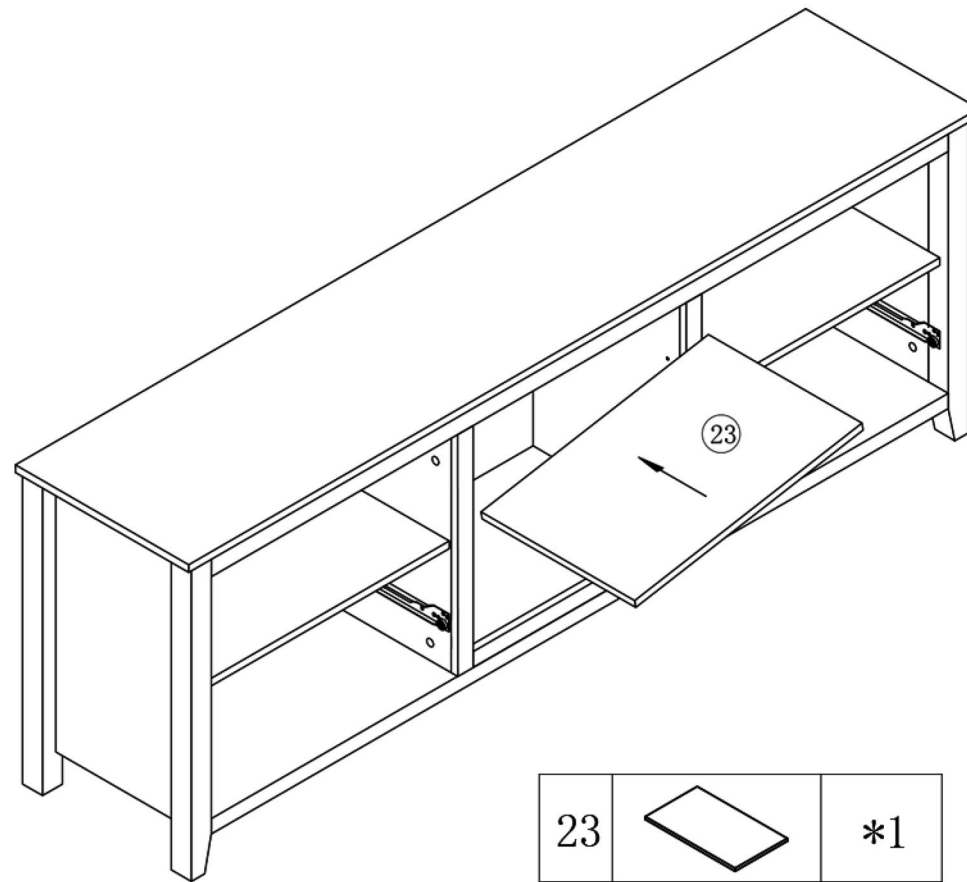


Step 19.  
Fix handle N on Panel 21 with Screw O.

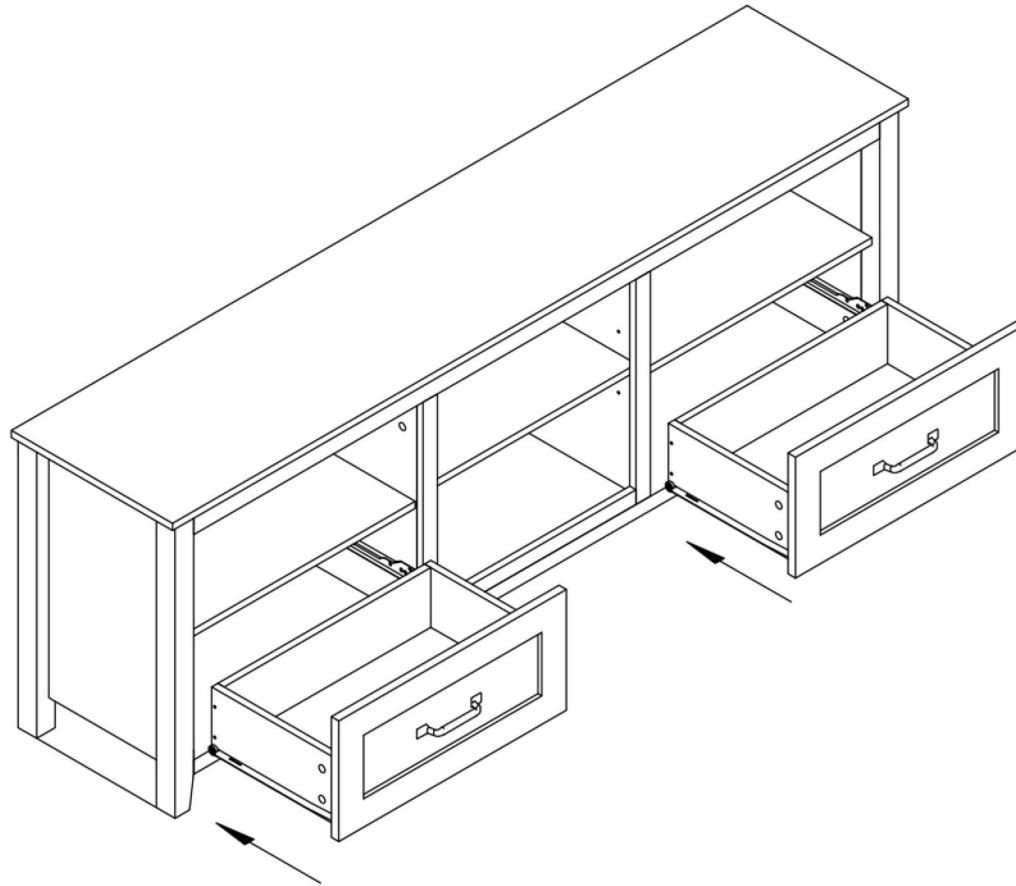




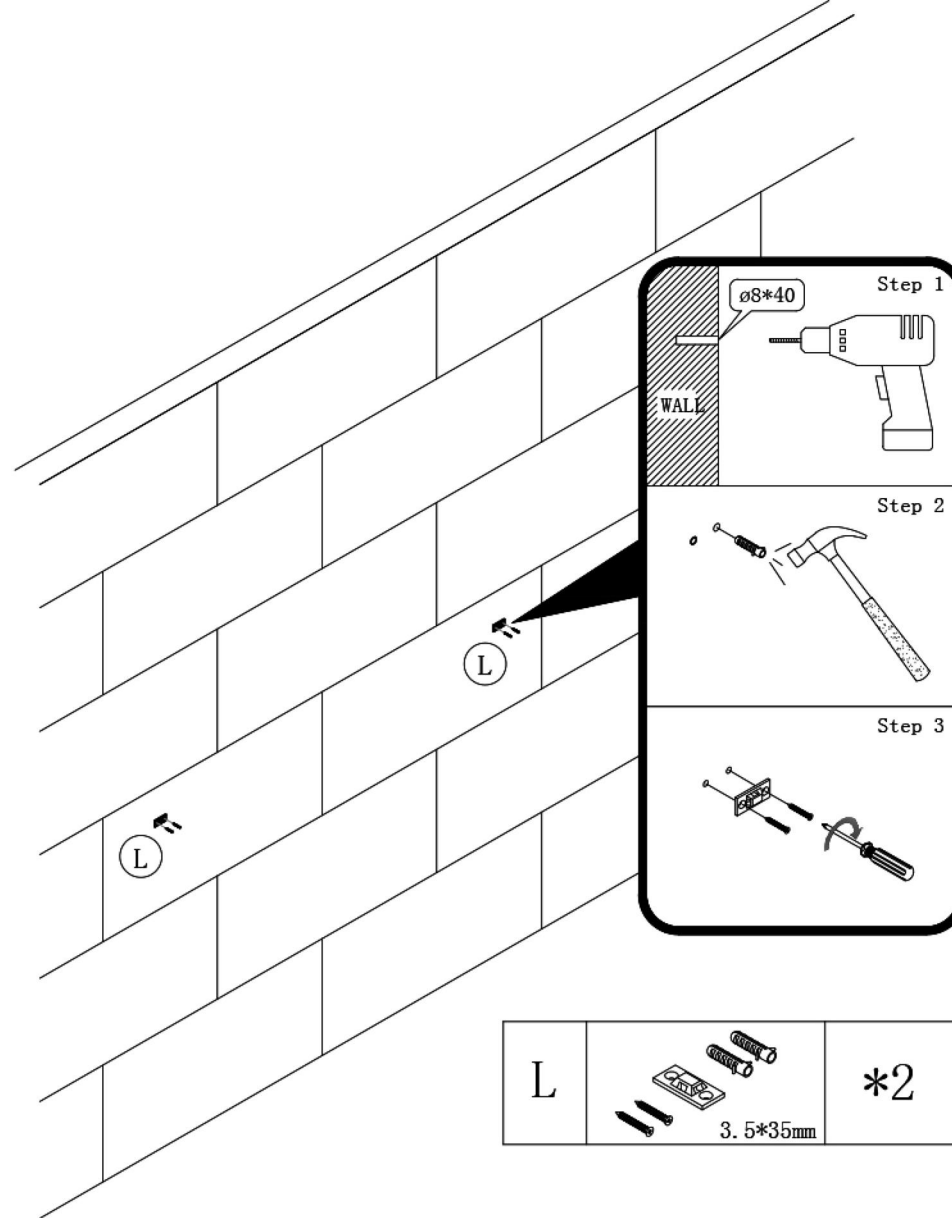
Step 20.  
Insert metal parts P into holes on Panel 1,2.



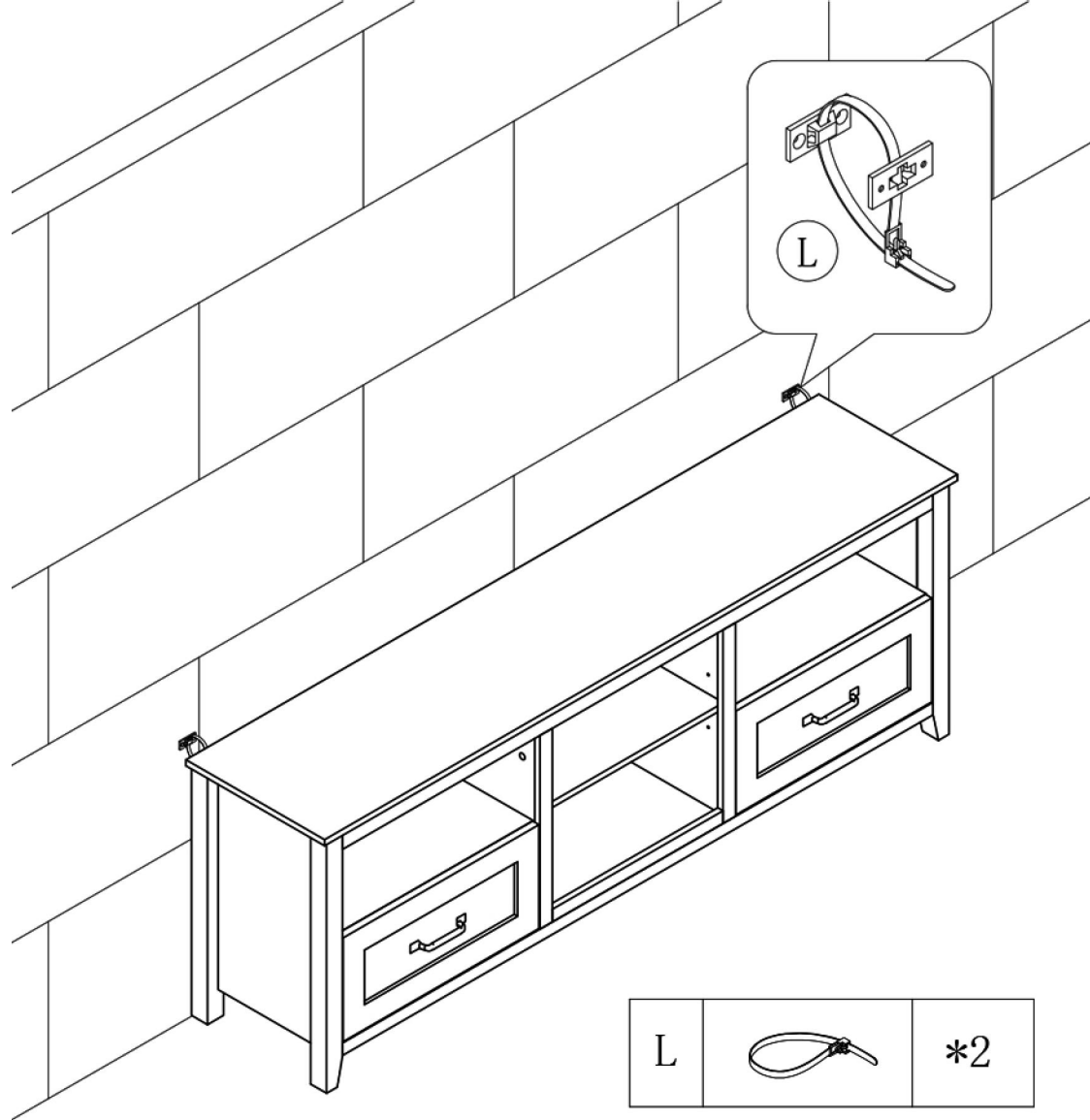
Step 21.  
Put Panel 23 on metal parts P.



Step 22.  
Insert two drawers into the sliders properly.



Step 23.  
 Drill holes( $\phi 8*40$ ) on the wall at proper position with electric drill,  
 Fix L on the wall with hammer and screwdriver.



Step 24.  
Using ribbon L to tie the cabinet on the wall to avoid falling.