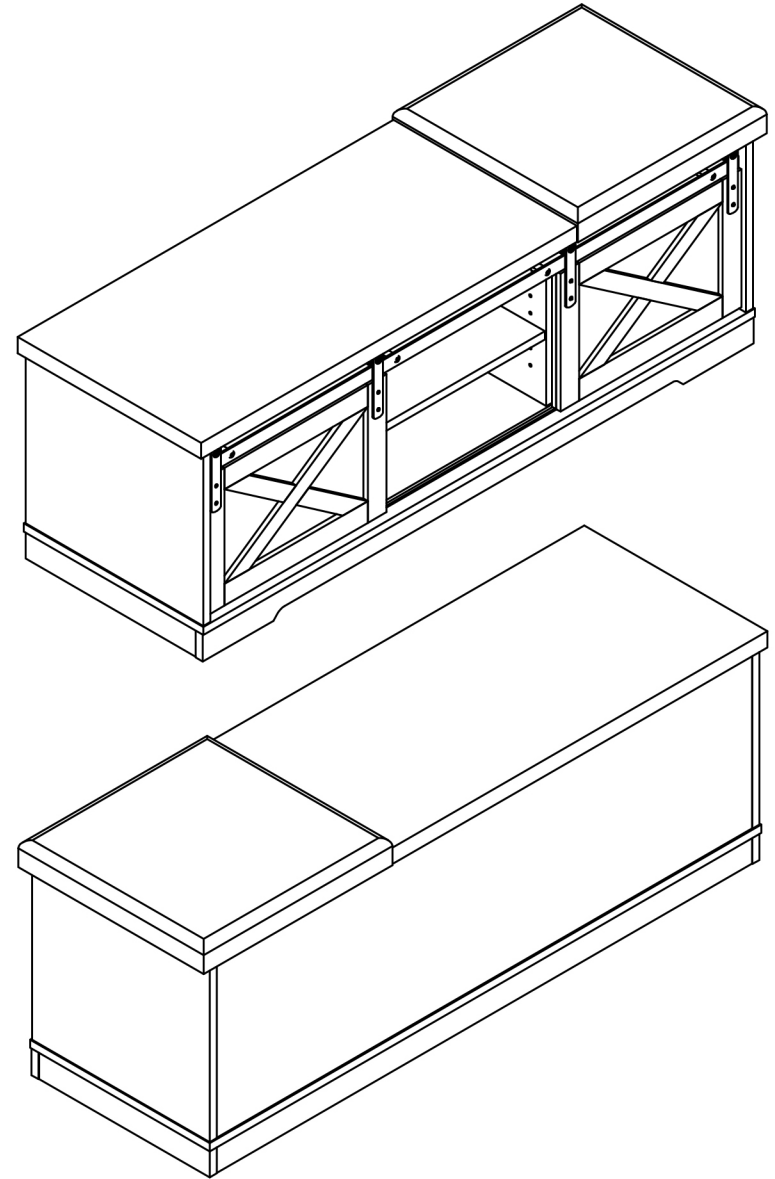



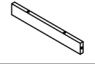
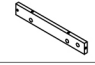
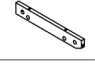



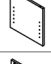

User Manual

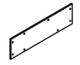

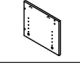





ASSEMBLY INSTRUCTION

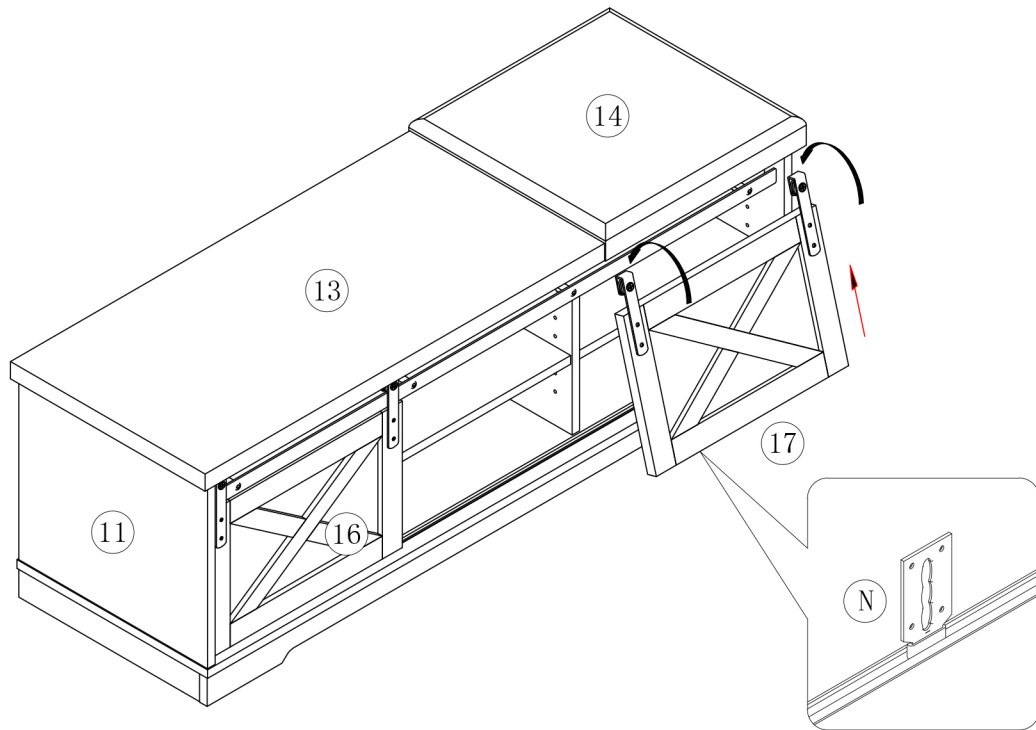


CD-086

Parts List








NO.	Drawing	Dimension	QTY
1		1140*50*15mm	*1
2		363*50*15mm	*1
3		363*50*15mm	*1
4		347*50*15mm	*1
5		1172*50*15mm	*1
6		1174*382*15mm	*1
7		1140*60*15mm	*1
8		320*322*15mm	*1
9		320*322*15mm	*1




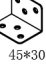


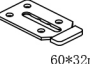
NO.	Drawing	Dimension	QTY
10		1140*320*15mm	*1
11		320*378*15mm	*1
12		320*378*15mm	*1
13		800*390*30mm	*1
14		400*390*60mm	*1
15		368*320*15mm	*3
16		385*254*18mm	*1
17		385*254*18mm	*1

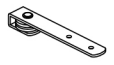
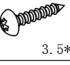



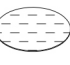


Into the slot

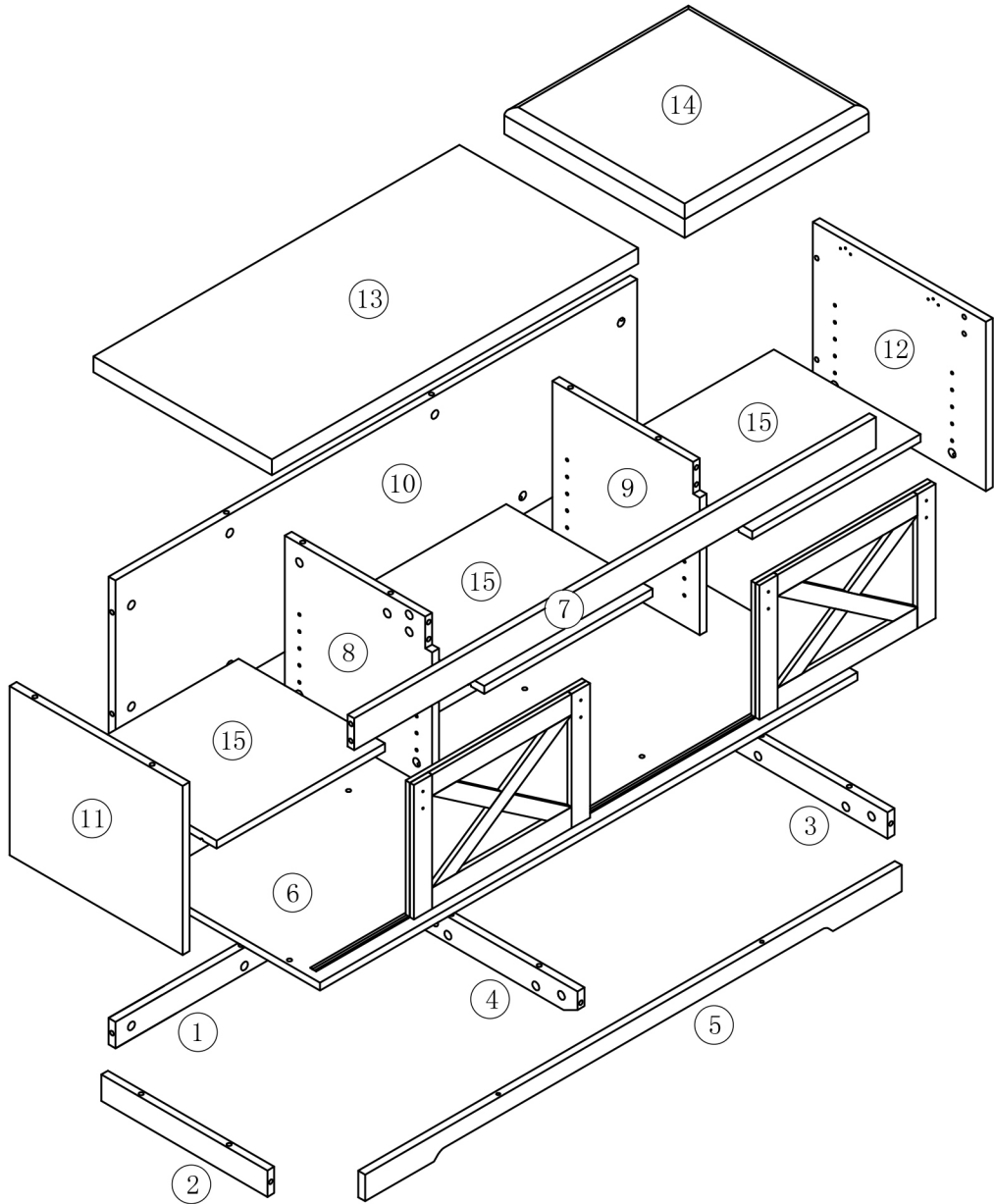
Hardware Fitting

NO.	Drawing	QTY
A		*40
B		*40
C		*2
D		*2
E	 6*55mm	*4
F	 L=1134mm	*1
G		*4

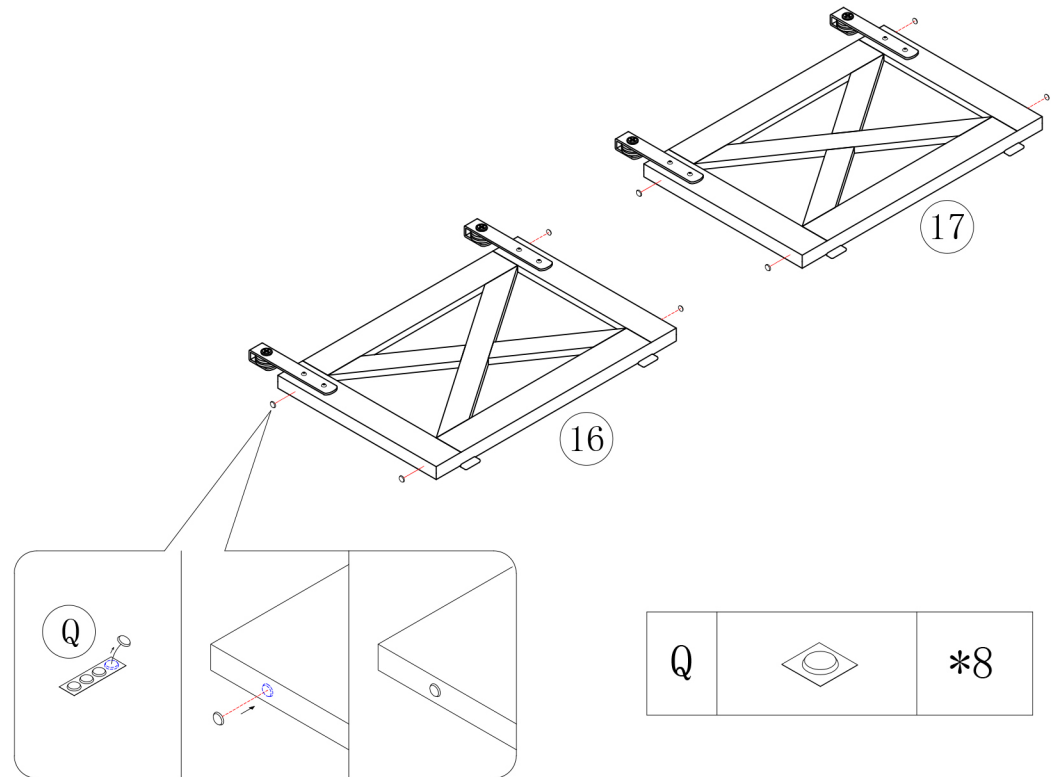
NO.	Drawing	QTY
H		*4
I		*4
J	 8*40mm	*1
K	 45*30*30mm	*4
L	 3.5*14mm	*40
M	 5*14mm	*12
N	 60*32mm	*4

NO.	Drawing	QTY
O		*4
P	 3.5*14mm	*8
Q		*8
	 4mm	*1
	 6mm	*1
		*42

Split Graph

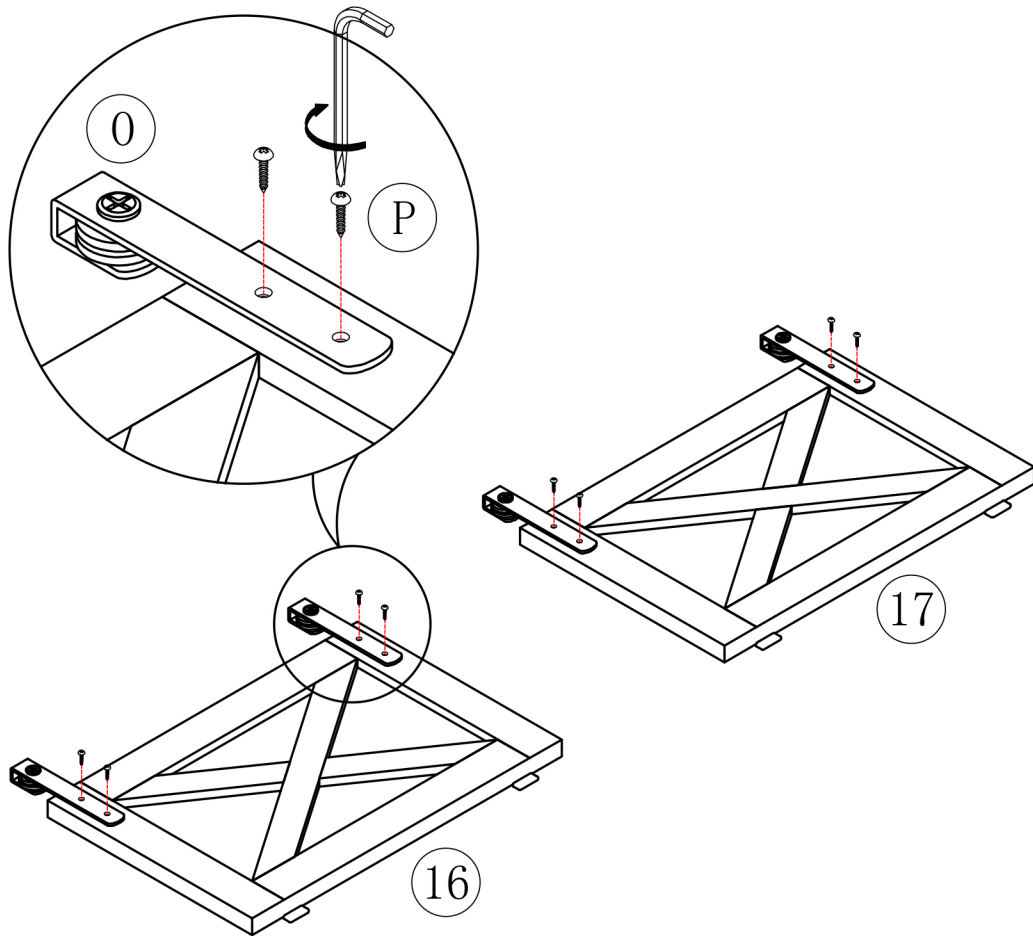




3

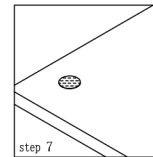
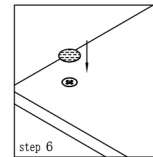
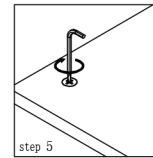
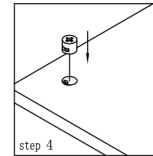
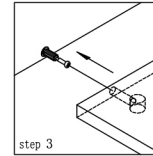
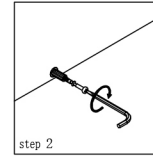
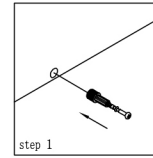


20

Cam Coupling Using Methods



O		*4
P	 3.5*14mm	*8



Step1.
Connect the cam coupling A as directed in the assembly instructions using hand.

Step2.
Screw the cam coupling A as directed in the assembly instructions.

Step3.
Push the cam coupling A into the entry hole.

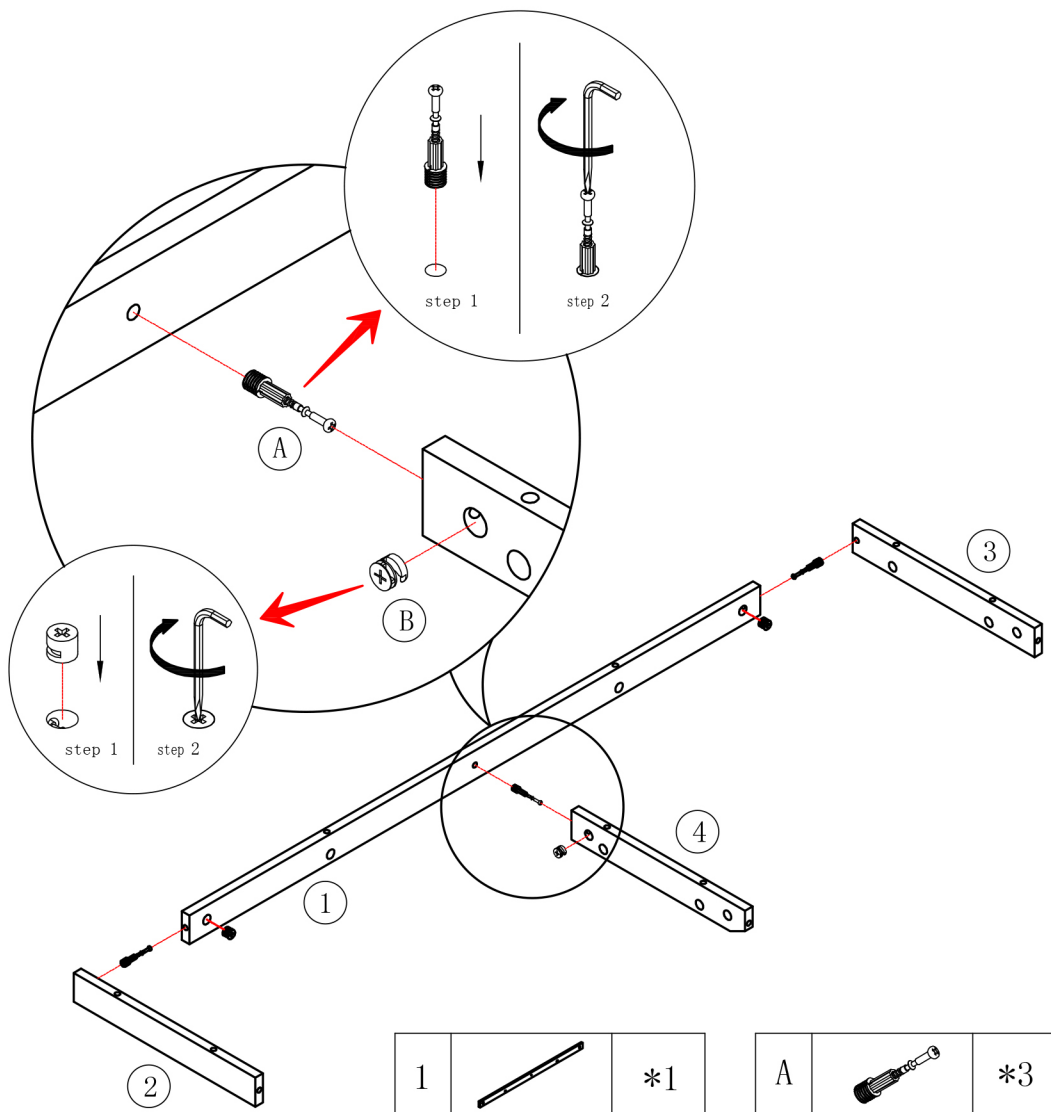
Step4.
Insert the cam coupling B as shown in the instructions.

Step5.
Turn the cam coupling B clockwise with a screwdriver

Step6.
Put on Beautycam.

Step7.
Finished.

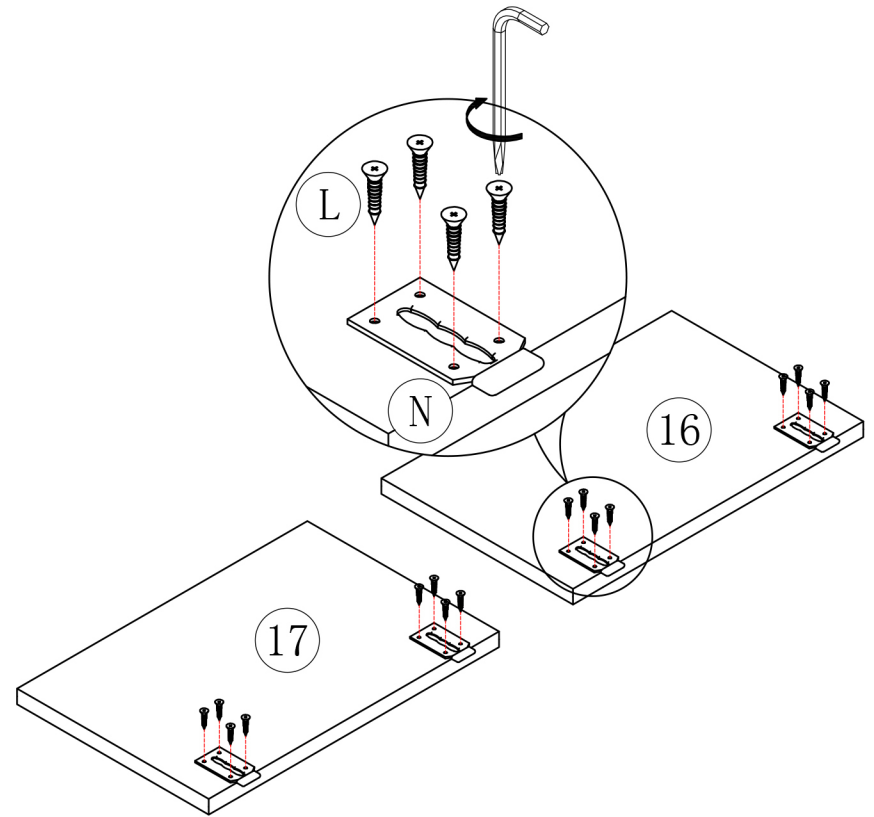
You should feel a click when the camlock is locked in place. The joint is now secure.



1		*1
2		*1
3		*1
4		*1

A		*3
B		*3

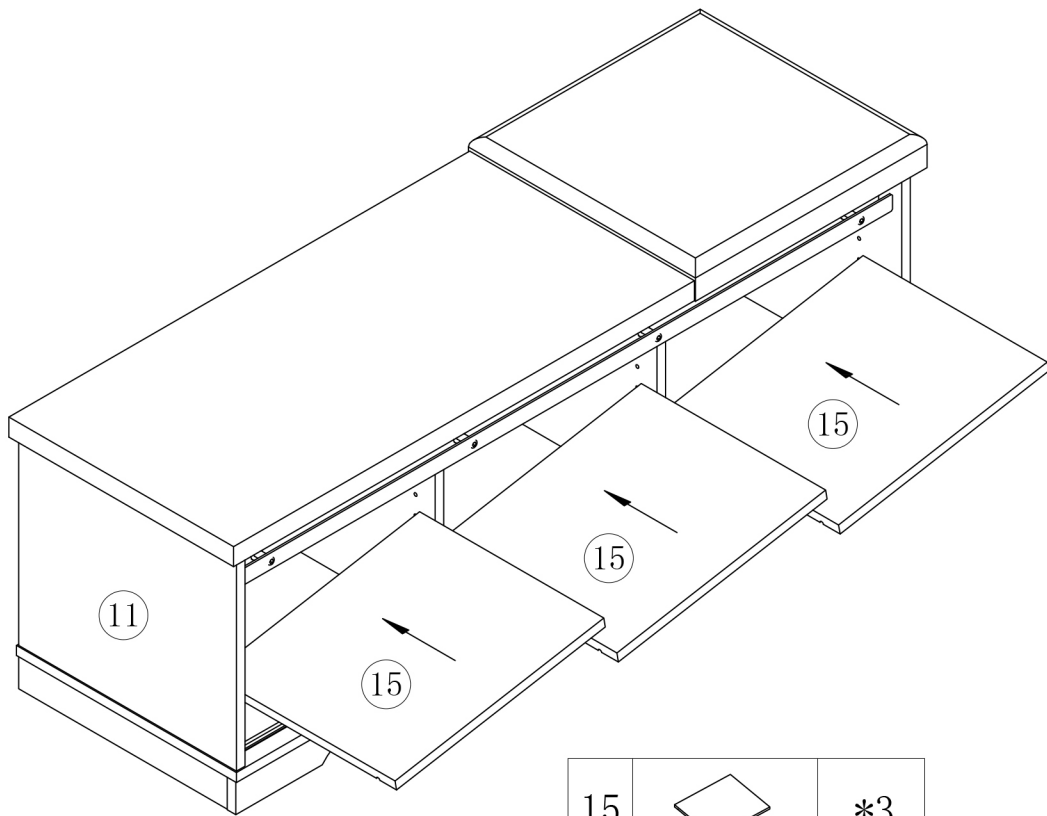
5




16		*1
17		*1

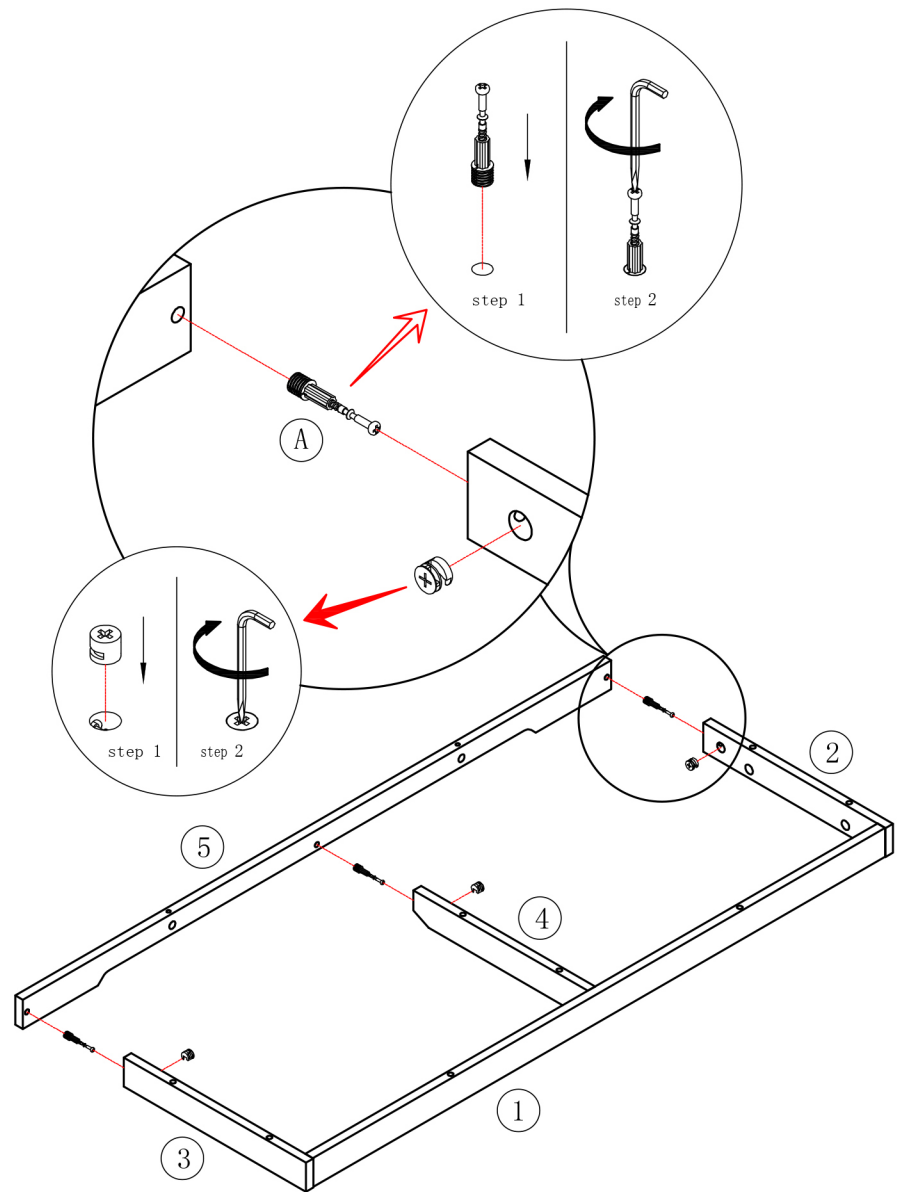
N	 60*32mm	*4
L	 3.5*14mm	*16

18





15		*3
----	-------------------------------------------------------------------------------------	----

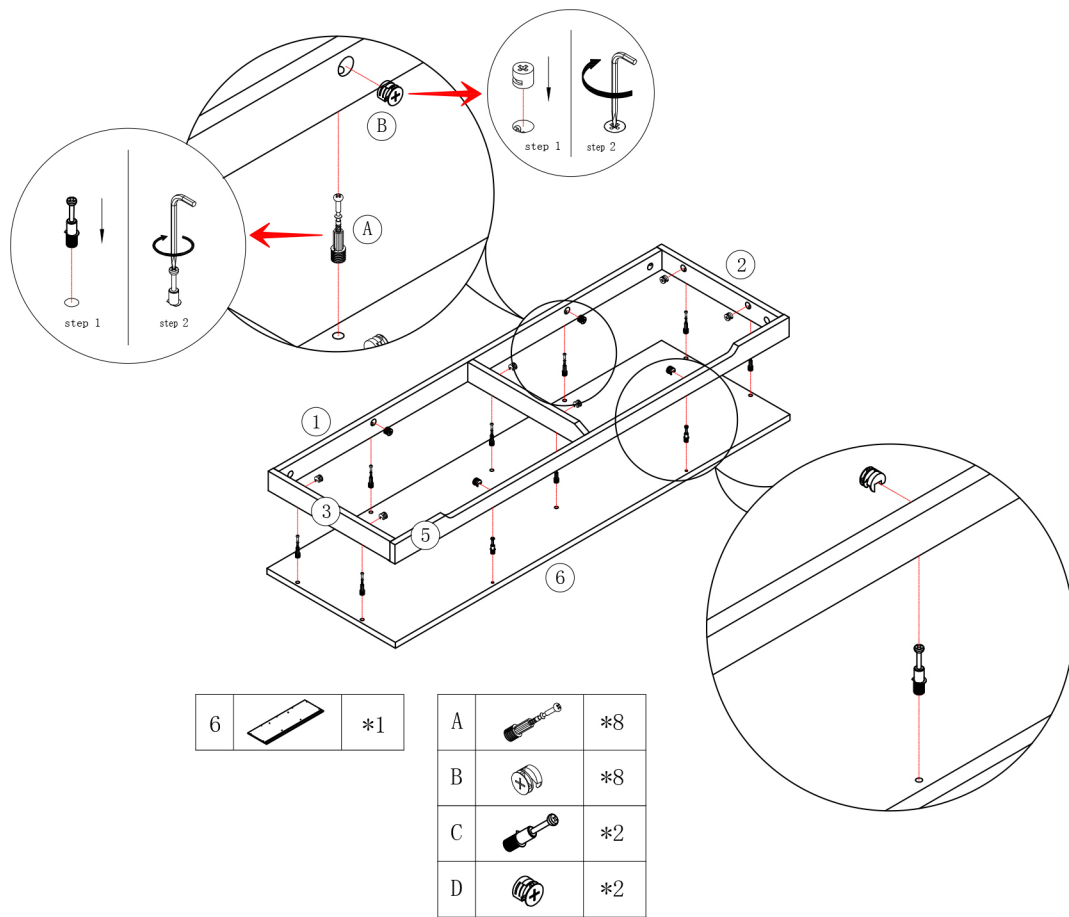
17



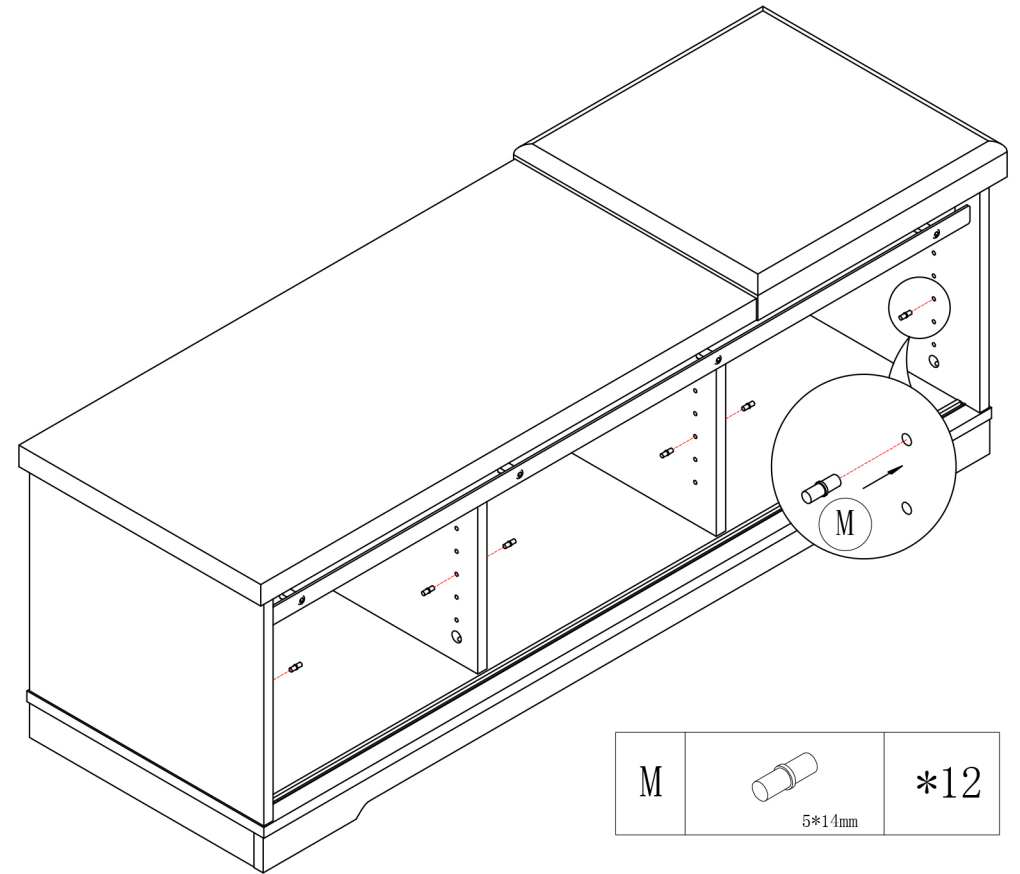
5		*1
---	---------------------------------------------------------------------------------------	----

A		*3
B		*3

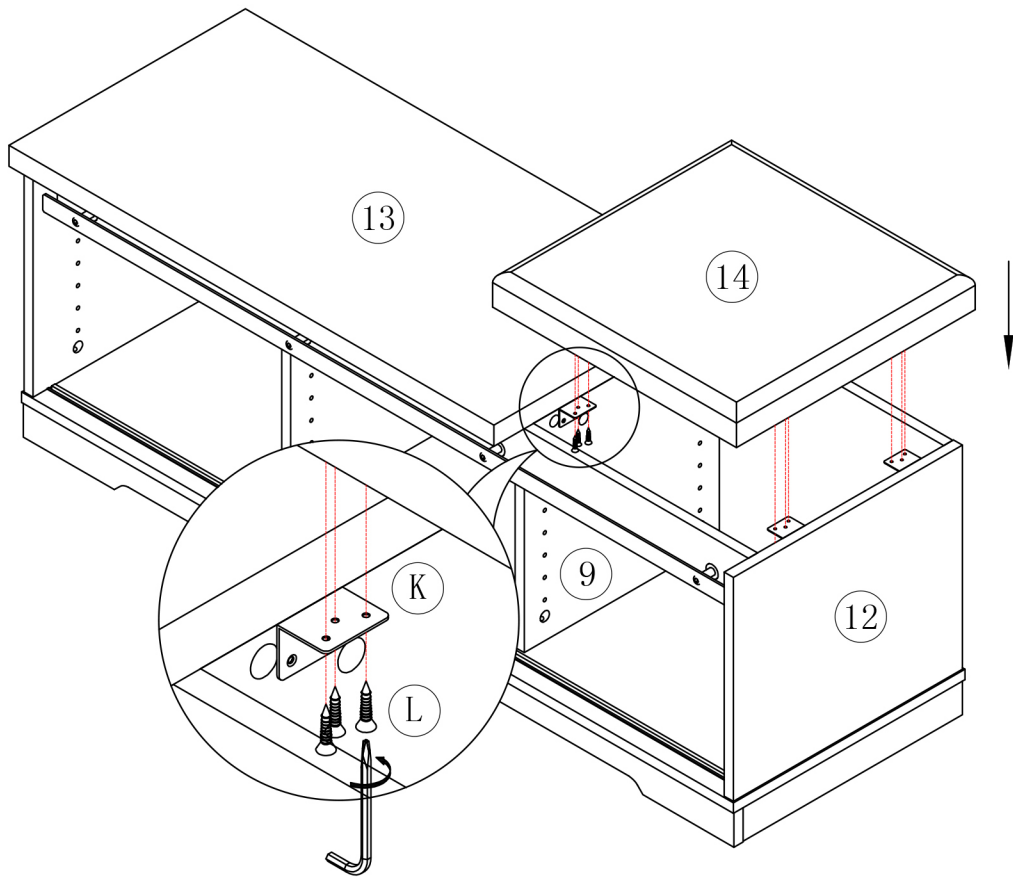
6



7



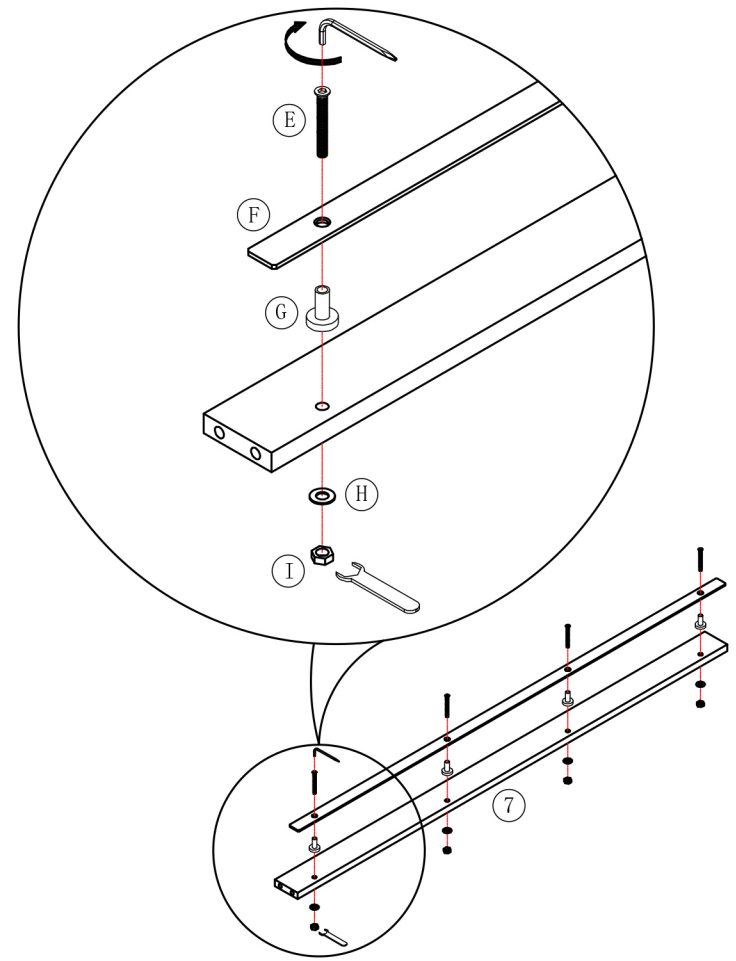
16



14		*1
----	--	----

L	 3.5*14mm	*12
---	--------------	-----

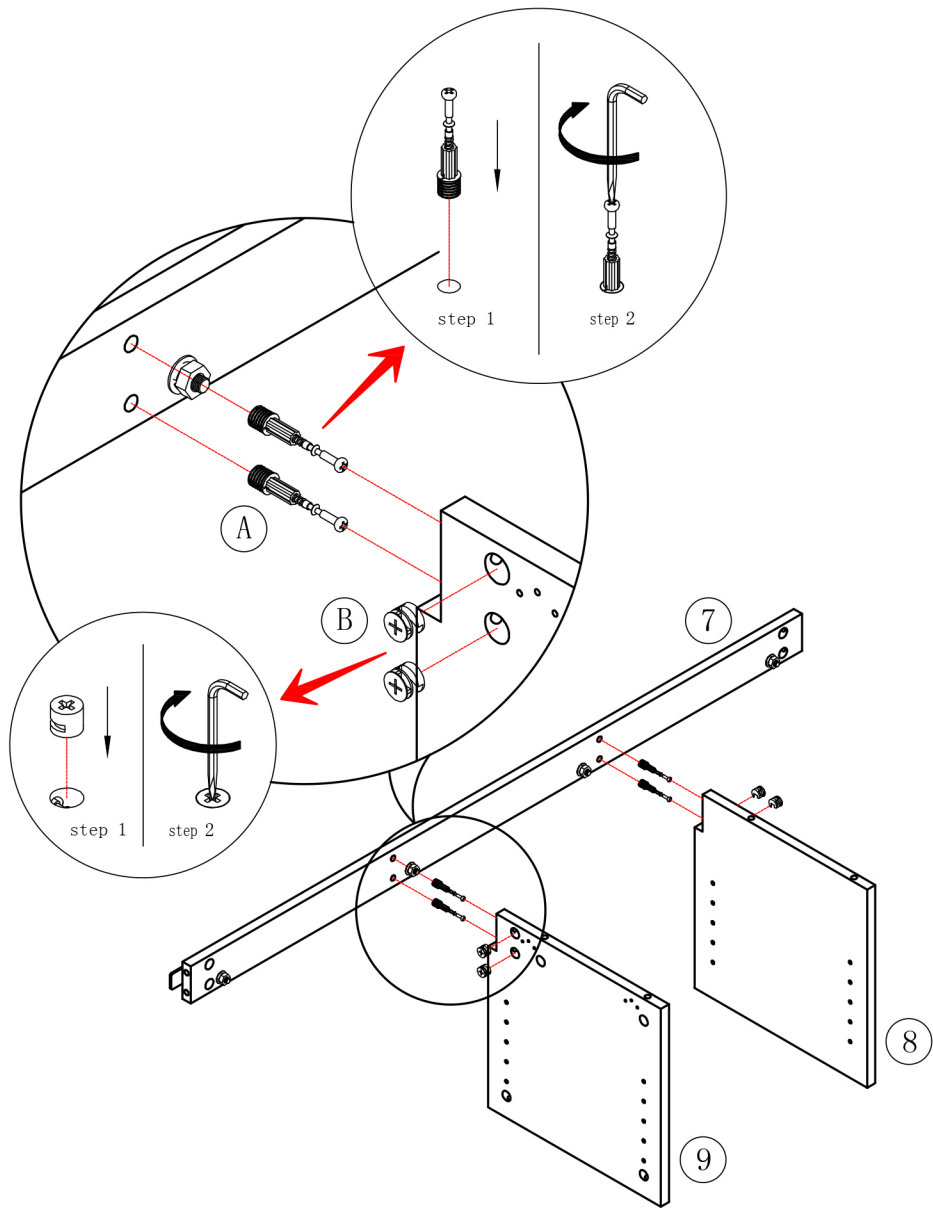
15







7		*1
---	--	----

E	 6*55mm	*4
F	 L=1131mm	*1
G		*4
H		*4
I		*4

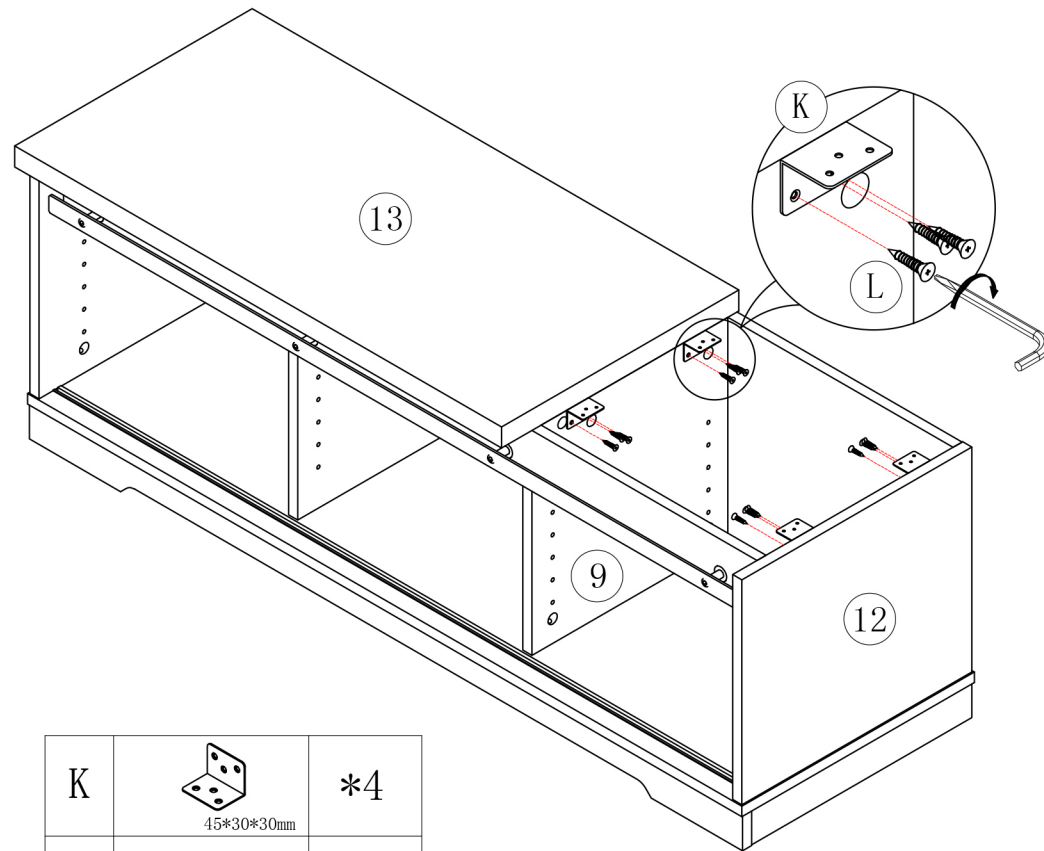
8





8		*1
9		*1

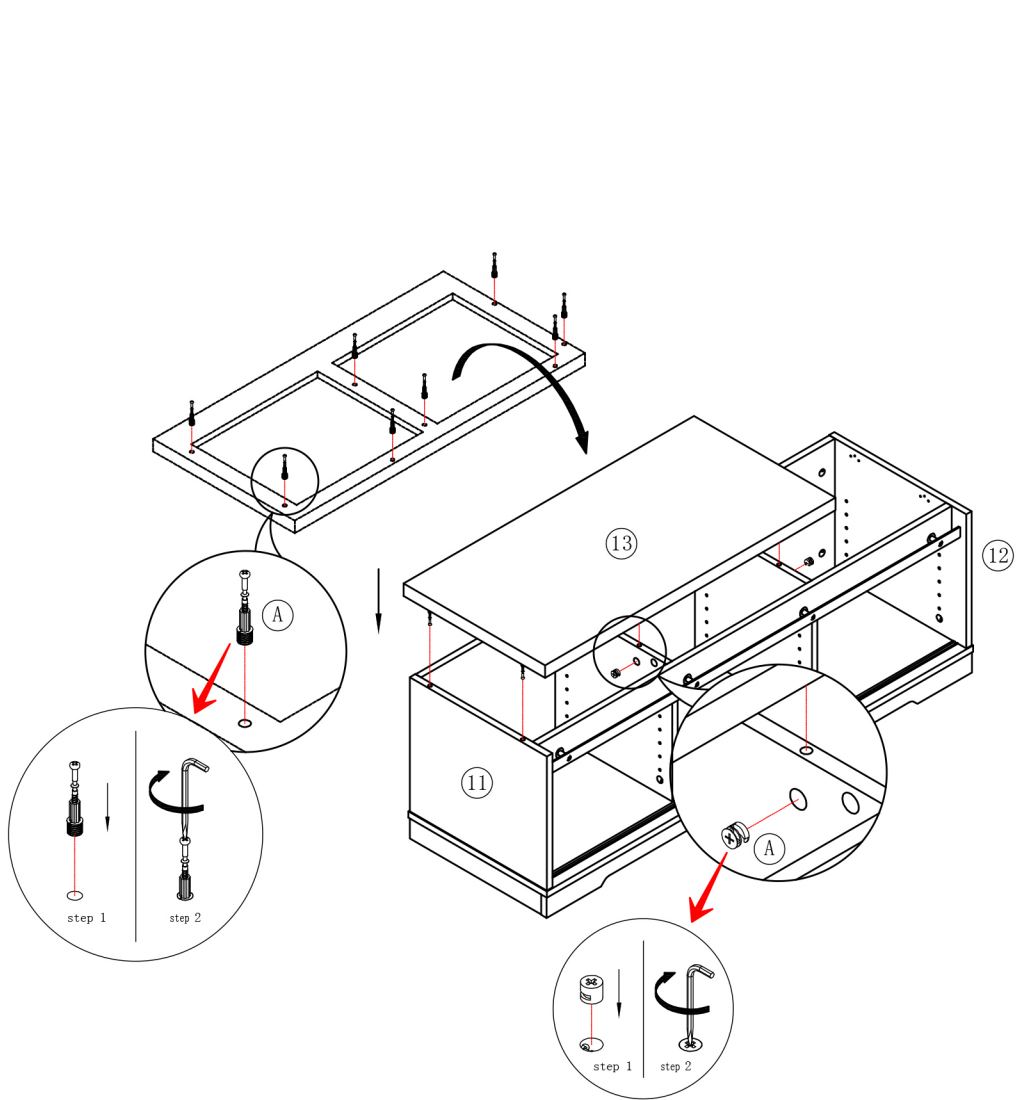
A		*4
B		*4

9



K	 45*30*30mm	*4
L	 3.5*14mm	*12

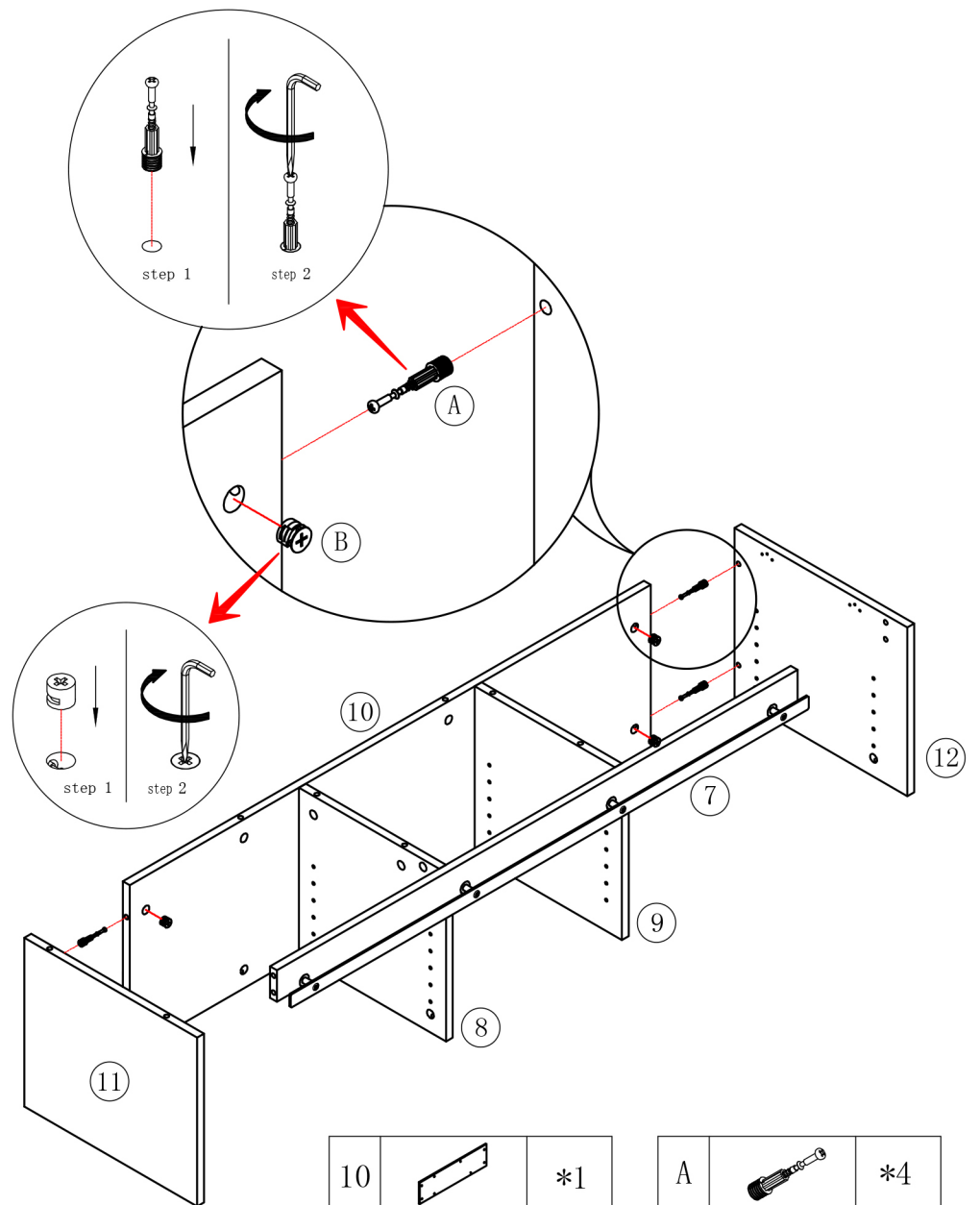
14



13		*1
----	--	----

A		*8
B		*8

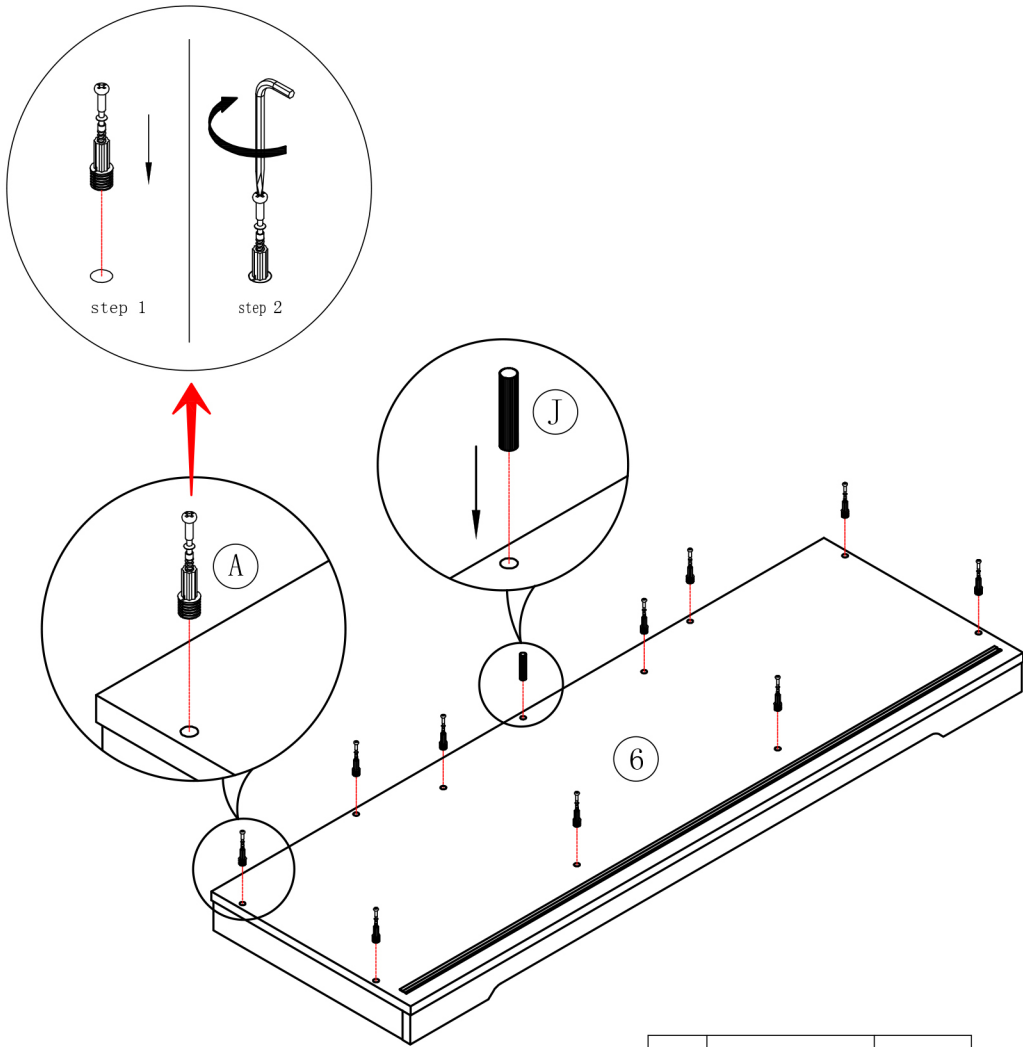
13





10		*1
11		*1
12		*1

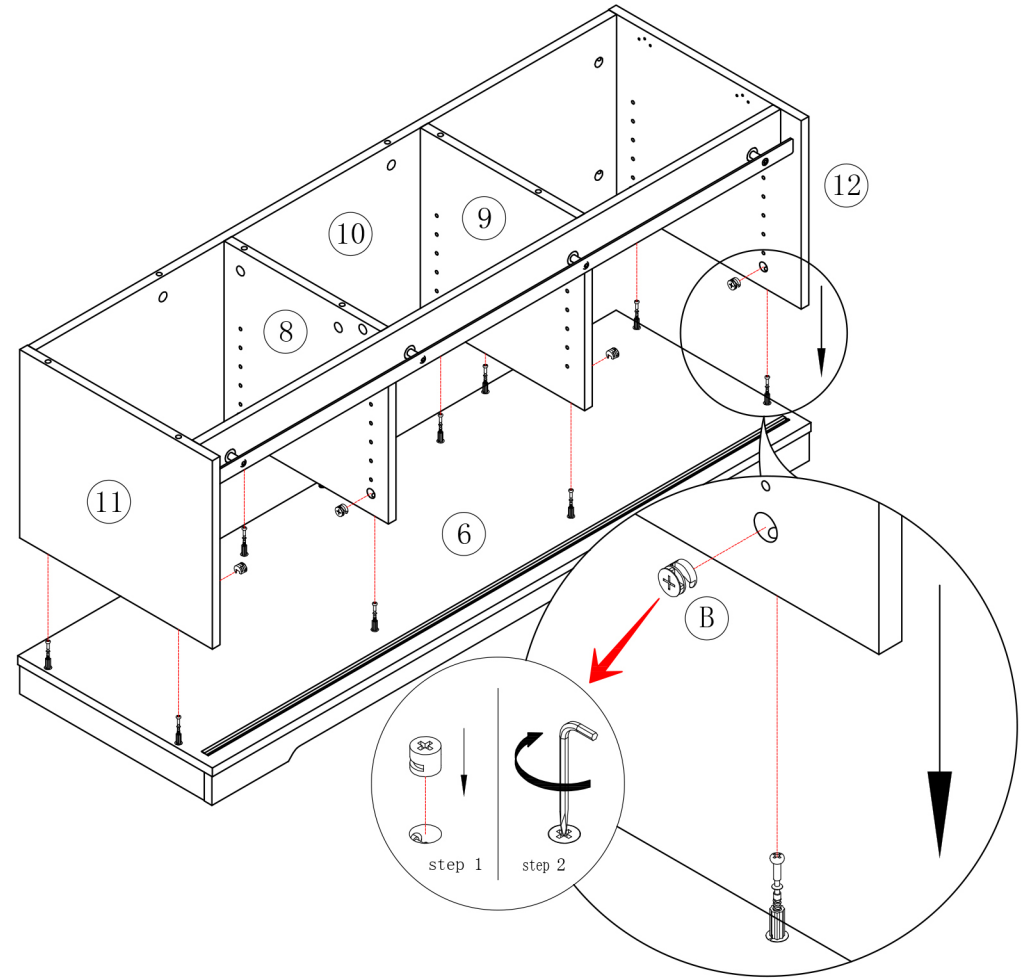
A		*4
B		*4

10



A		*10
J		*1

11



12