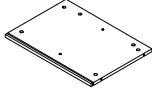
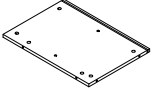
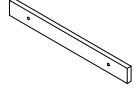

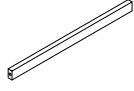
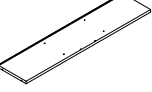
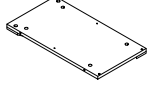
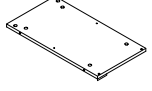
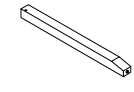
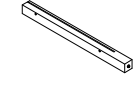

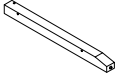
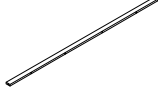
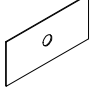
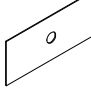
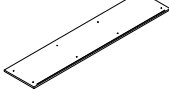
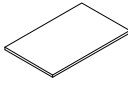
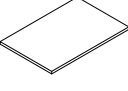
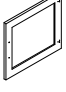
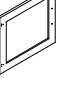
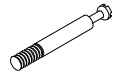

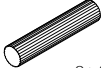

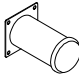
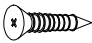
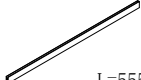
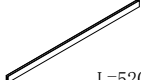


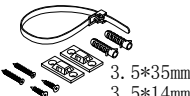











Parts List

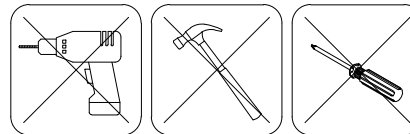
NO.	Drawing	Dimension	QTY
1		515*365*15mm	1
2		515*365*15mm	1
3		472*55*15mm	1
4		472*55*15mm	1
5		480*31*15mm	1
6		1660*380*30mm	1
7		545*290*15mm	1
8		545*290*15mm	1
9		615*45*45mm	1
10		615*45*45mm	1

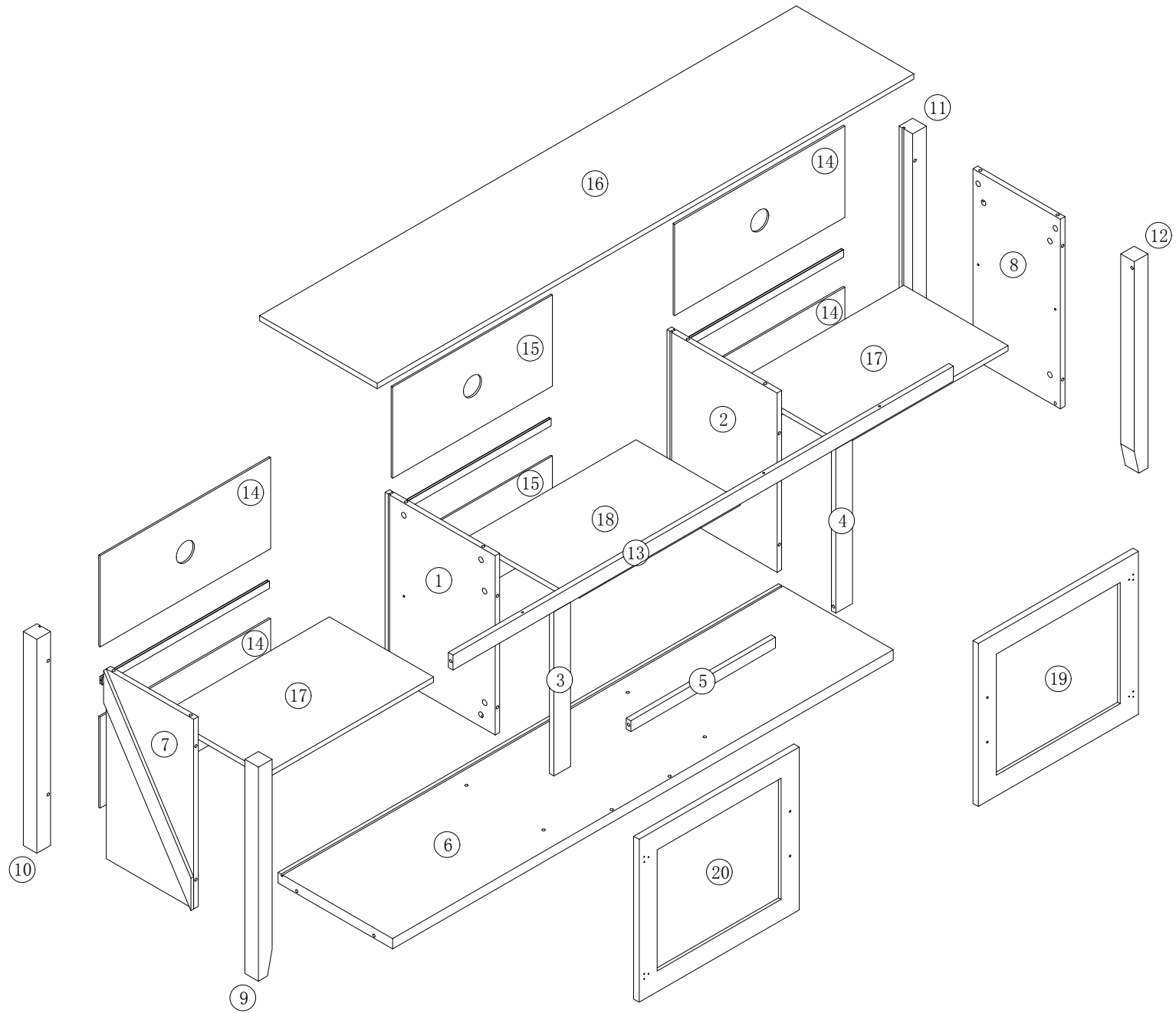
NO.	Drawing	Dimension	QTY
11		615*45*45mm	1
12		615*45*45mm	1
13		1660*43*15mm	1
14		565*262*4mm	4
15		530*262*4mm	2
16		1780*390*15mm	1
17		554*346*15mm	2
18		518*348*15mm	1
19		468*531*15mm	1
20		468*531*15mm	1

Hardware Fitting

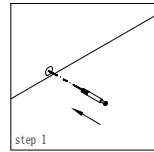
NO.	Drawing	QTY
A		30
B		30
C	 8*40	10
D		2
E		2
F	 3.5*14	16
G	 L=555mm	2
H	 L=520mm	1
I		24
J	 3.0*14mm	24
K	 3.5*35mm 3.5*14mm	2

NO.	Drawing	QTY
L	 3.5*35mm	4
M	 5*14mm	8
N		2
O		4
P		2
Q		4
Y	 3.5*14-圆头	24
	 4mm	1
		32

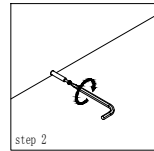




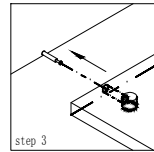
Cam Coupling Using Methods



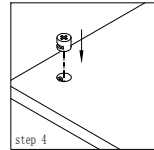
Step1.
Connect the cam coupling A as directed in the assembly instructions using hand.



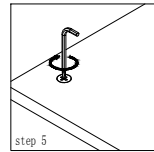
Step2.
Screw the cam coupling A as directed in the assembly instructions.



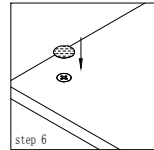
Step3.
Push the cam coupling A into the entry hole.



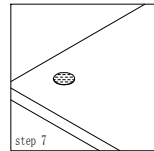
Step4.
Insert the cam coupling B as shown in the instructions.



Step5.
Turn the cam coupling B clockwise with a screwdriver

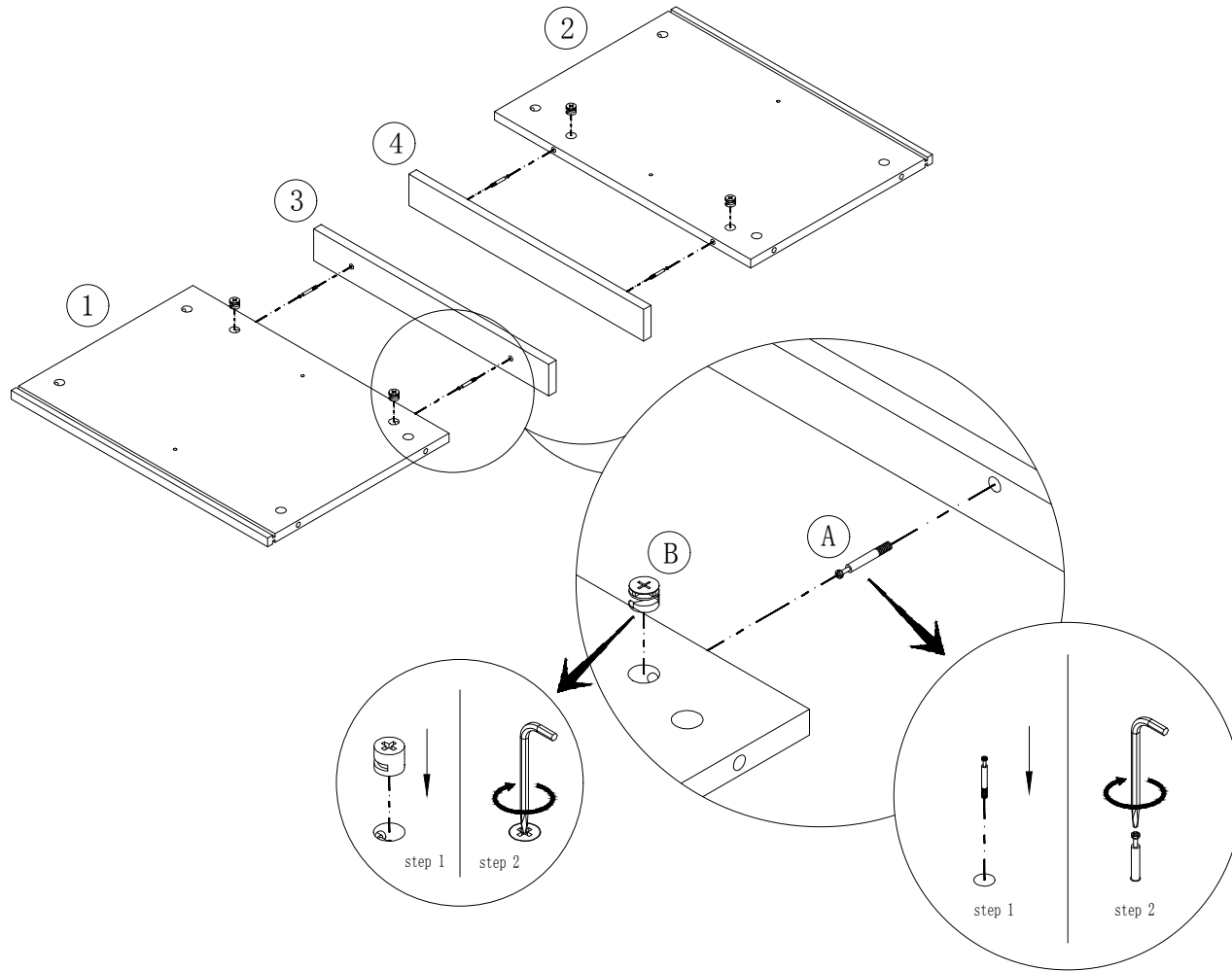


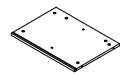
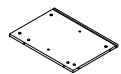
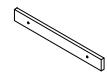
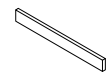
Step6.
Put on Beautycam.





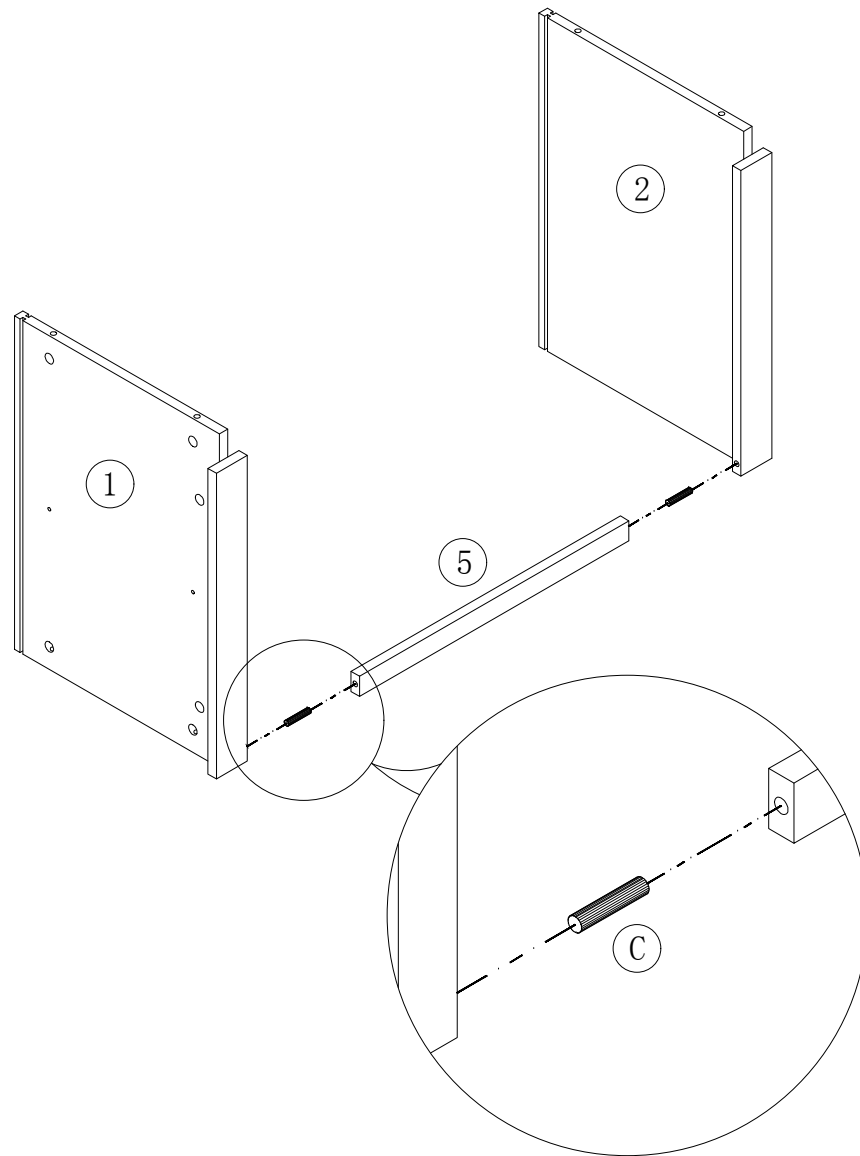
Step7.
Finished.


You should feel a click when the camlock is locked in place.
The joint is now secure.

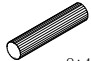


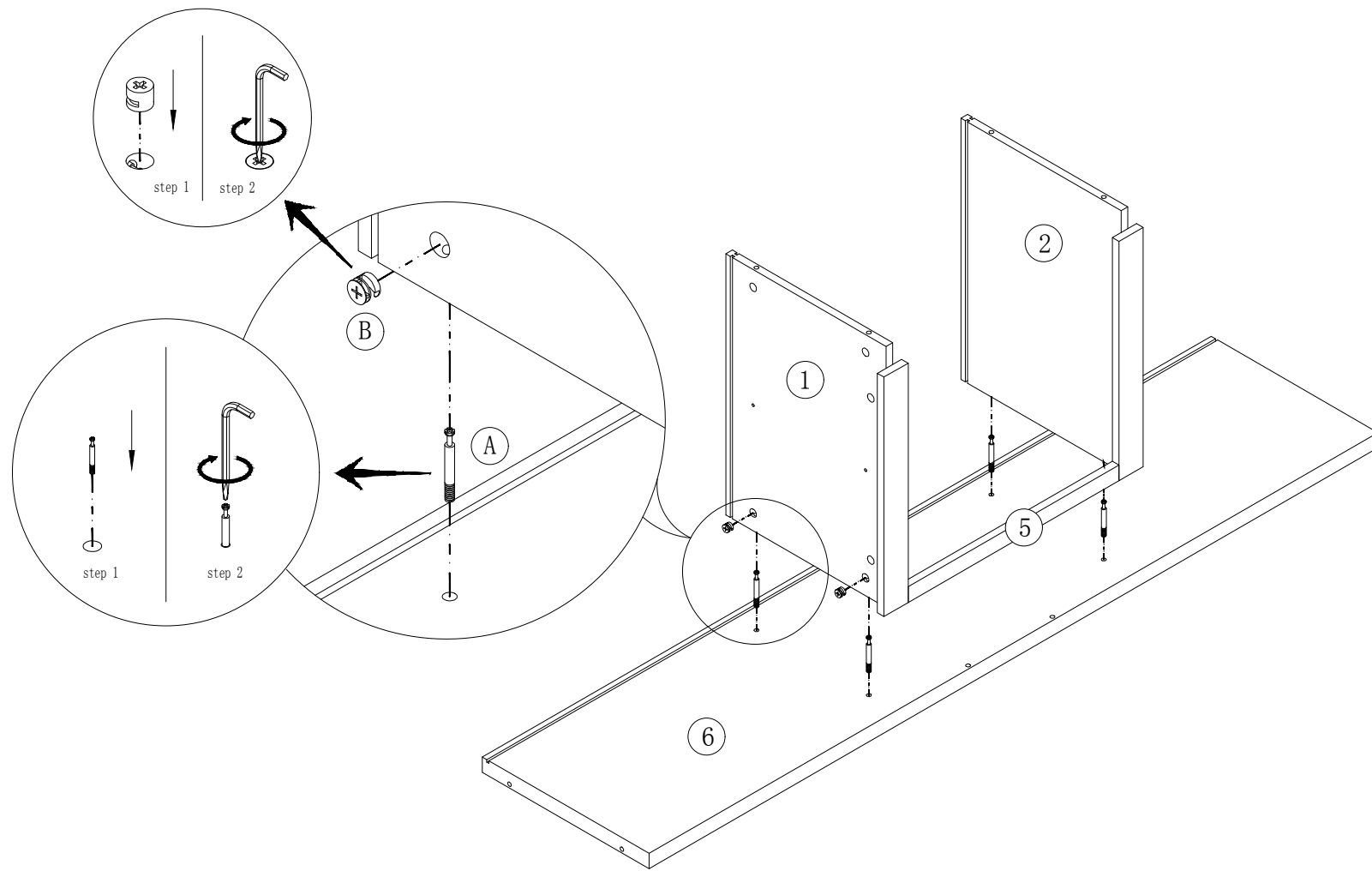
1		*1
2		*1
3		*1
4		*1

A		*4
B		*4



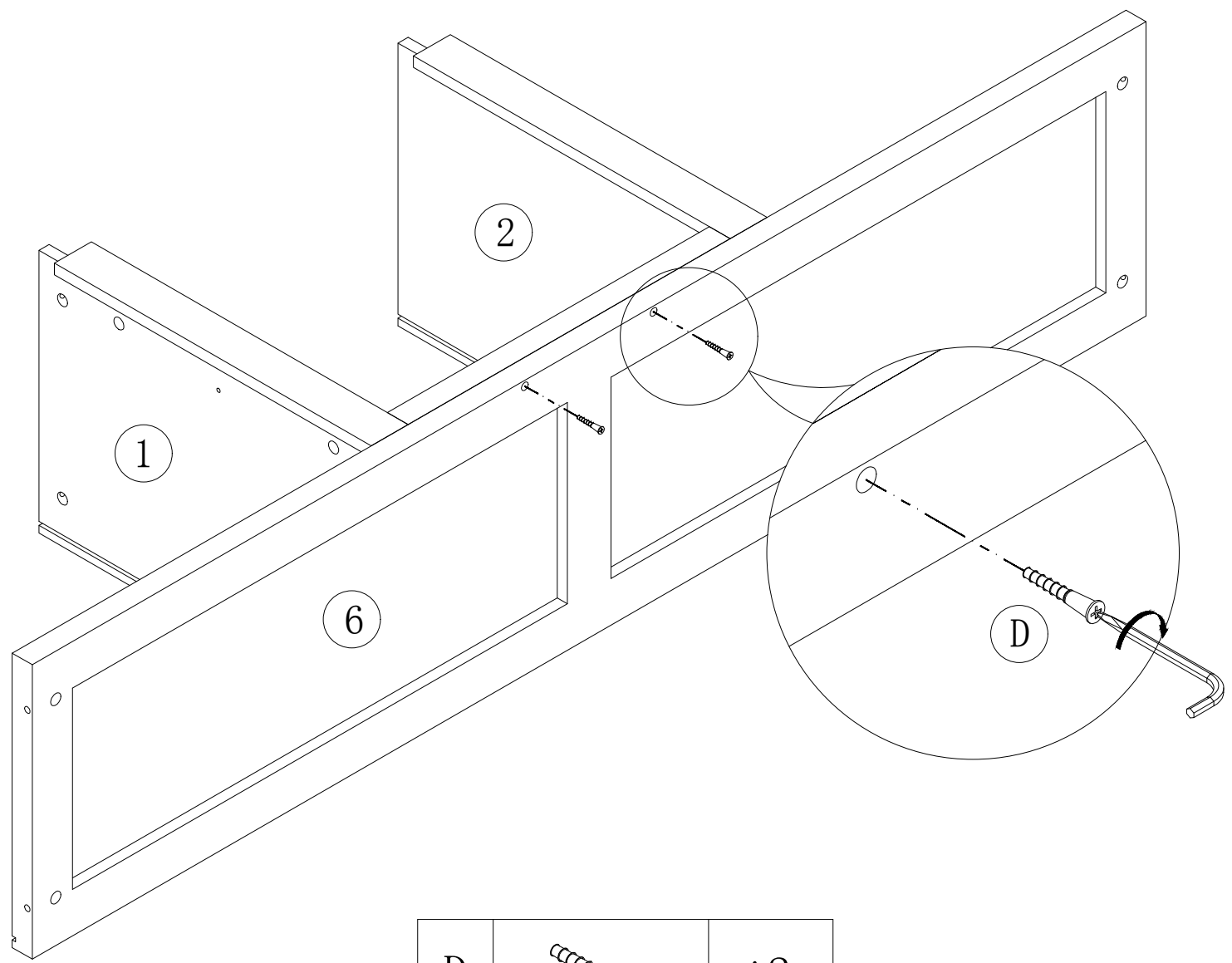
5		*1
---	---	----

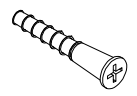
C	 8*40	*2
---	---	----

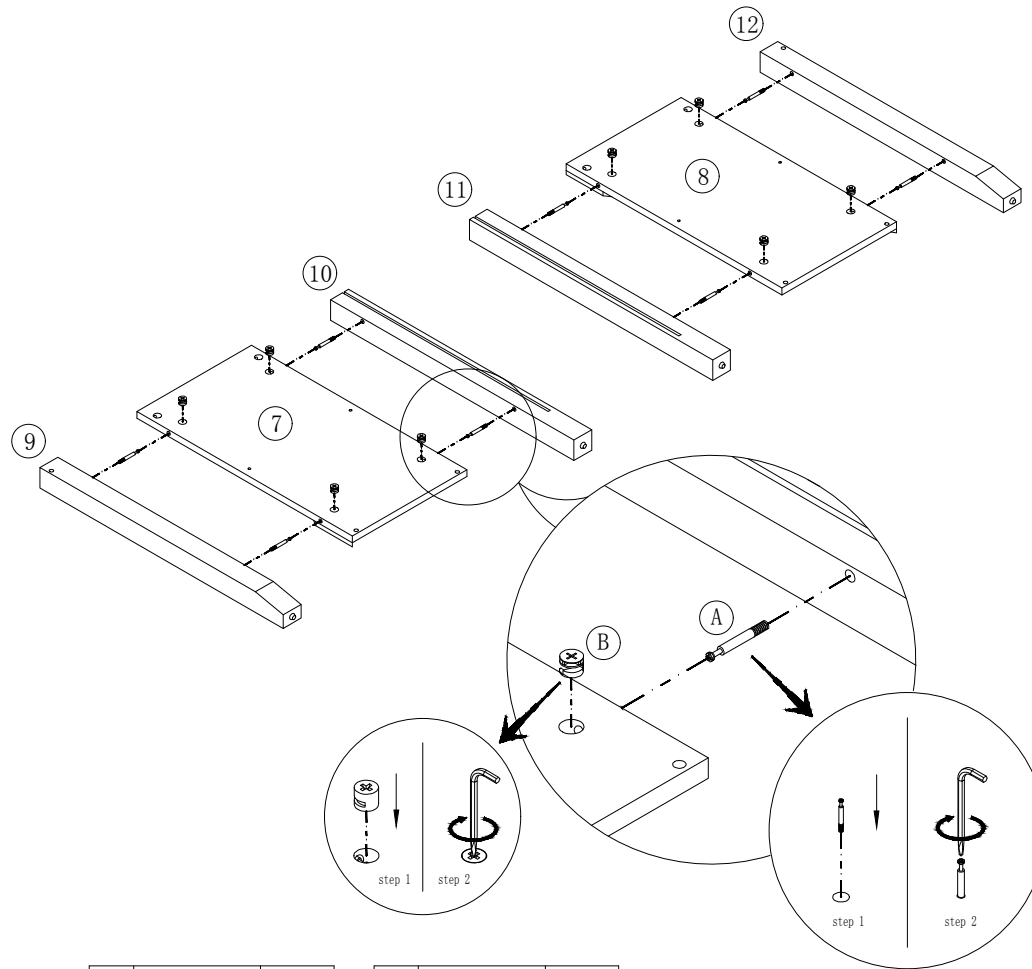


6		*1
---	--	----

A		*4
B		*4

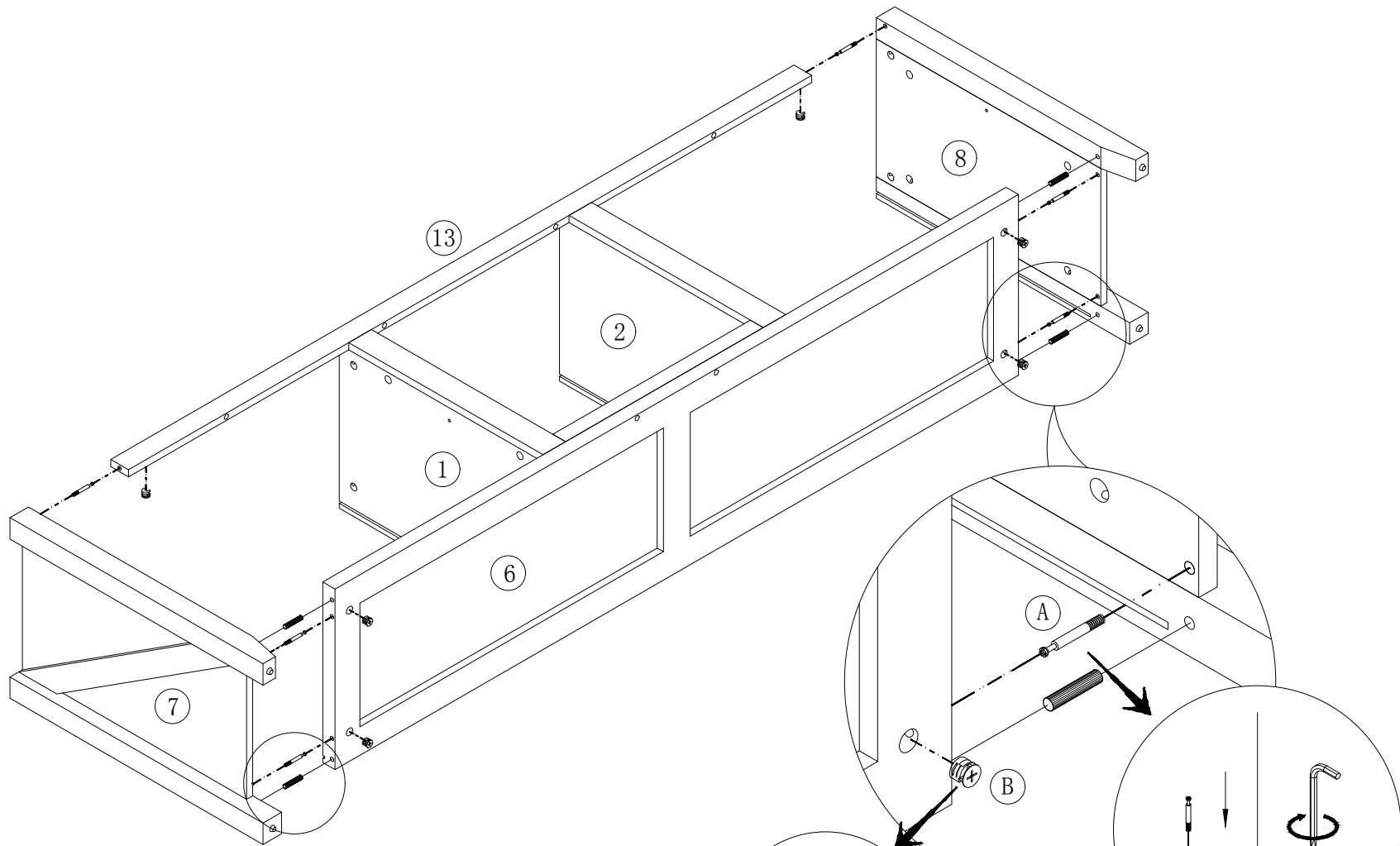



D		*2
---	---	----



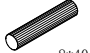


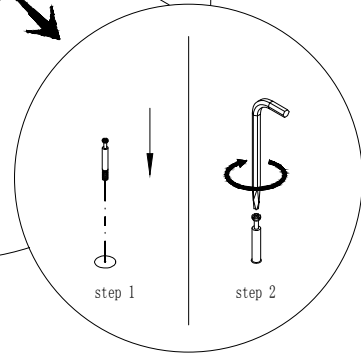
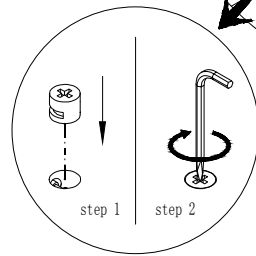
7		*1
8		*1
9		*1
10		*1
11		*1
12		*1

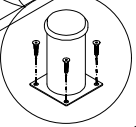
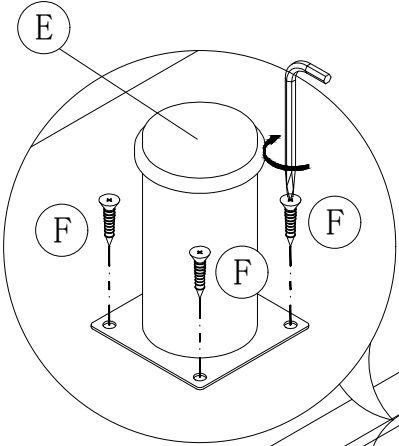
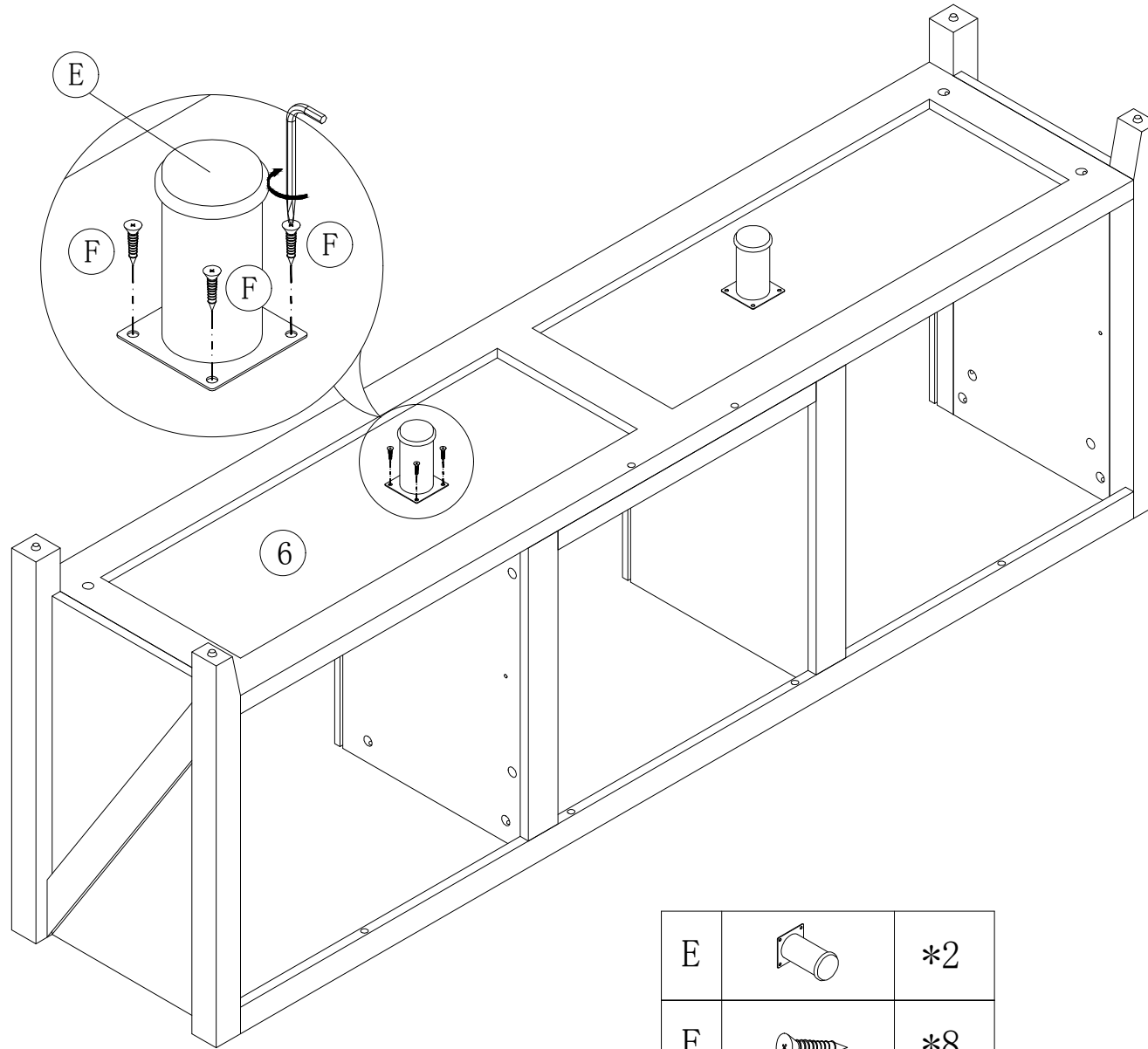
A		*8
B		*8

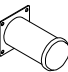
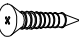


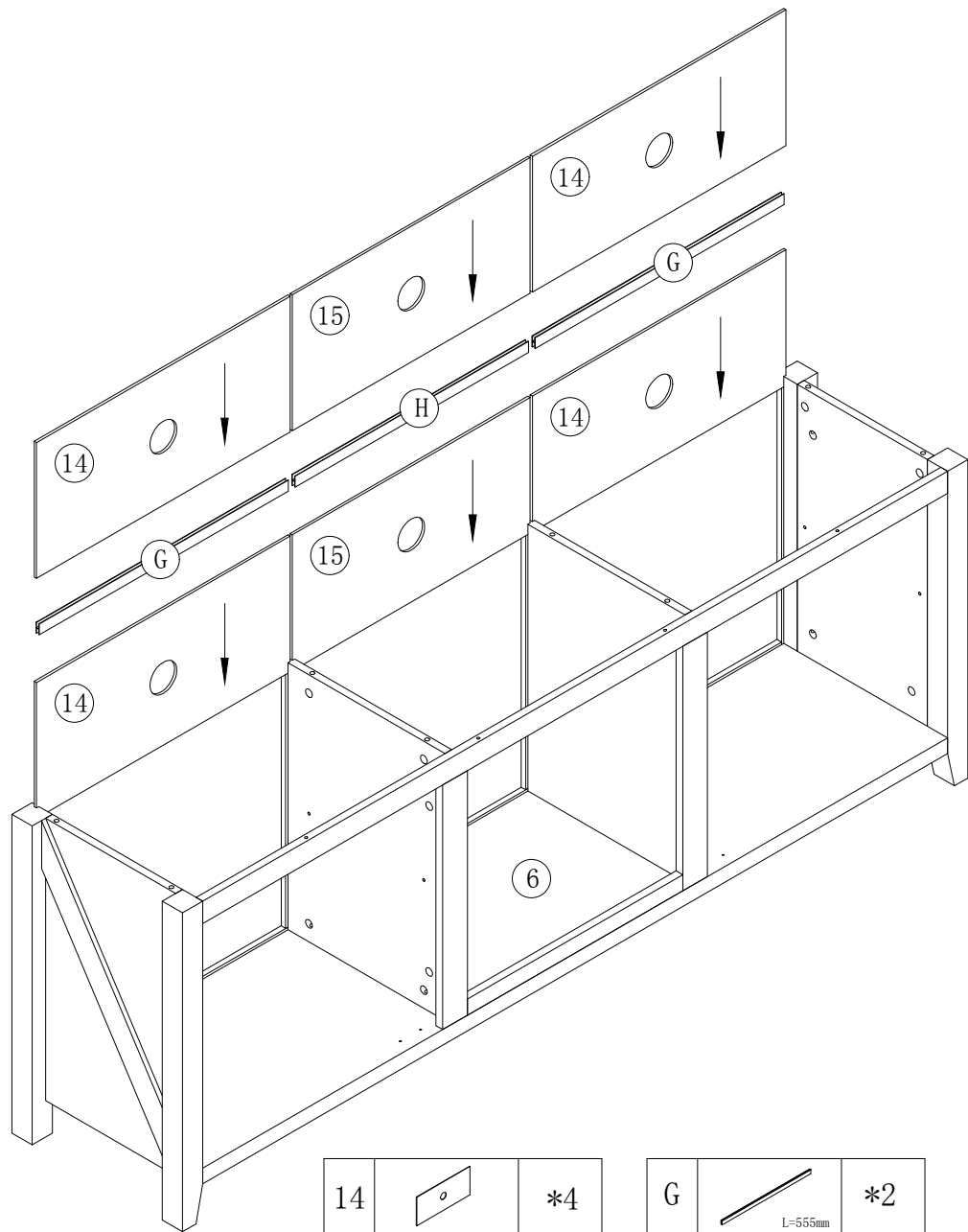
13		*1
----	---	----

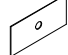
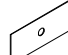
A		*6
B		*6
C	 8*40	*4

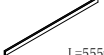



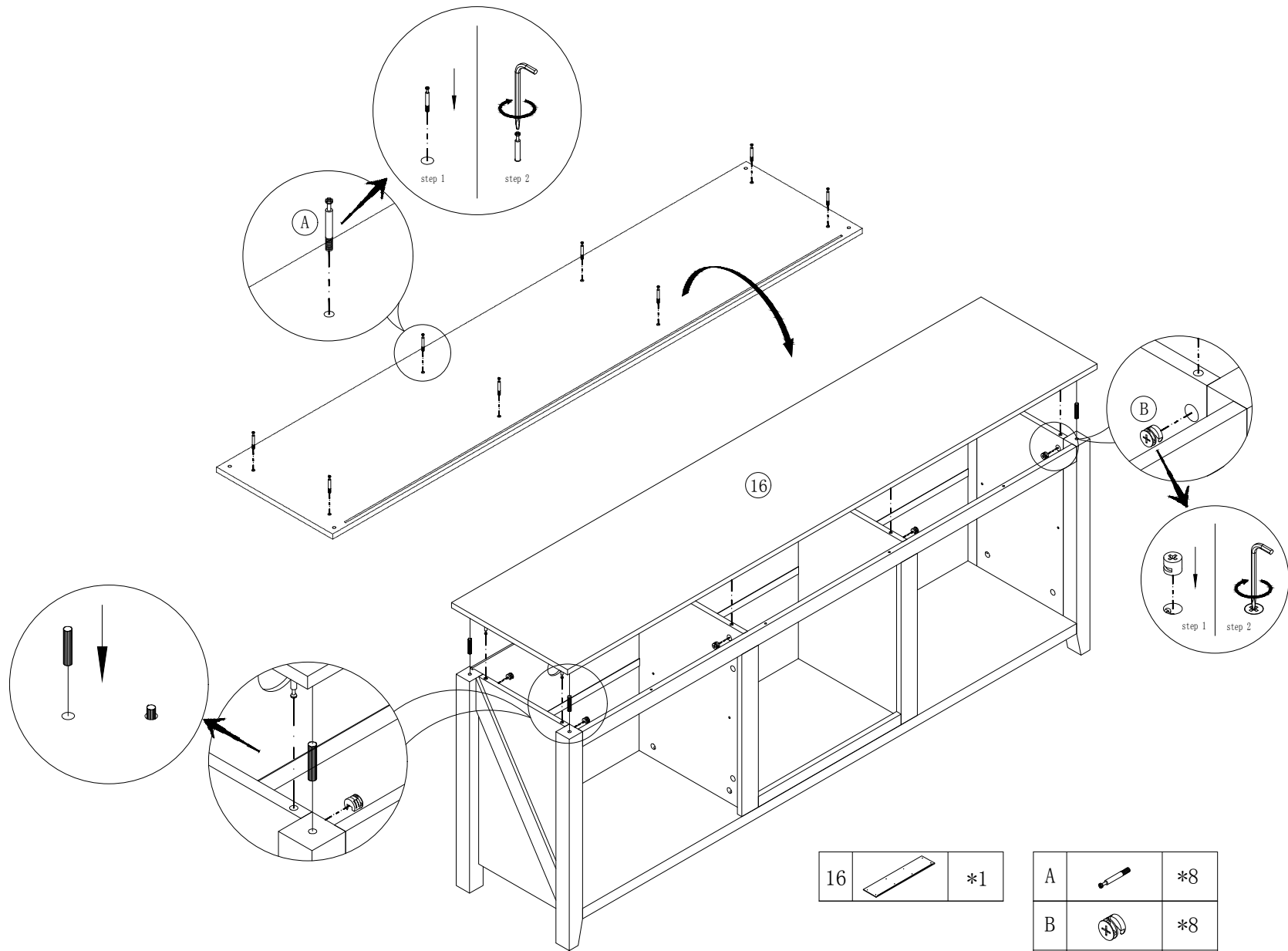


E		*2
F	 3.5*14	*8



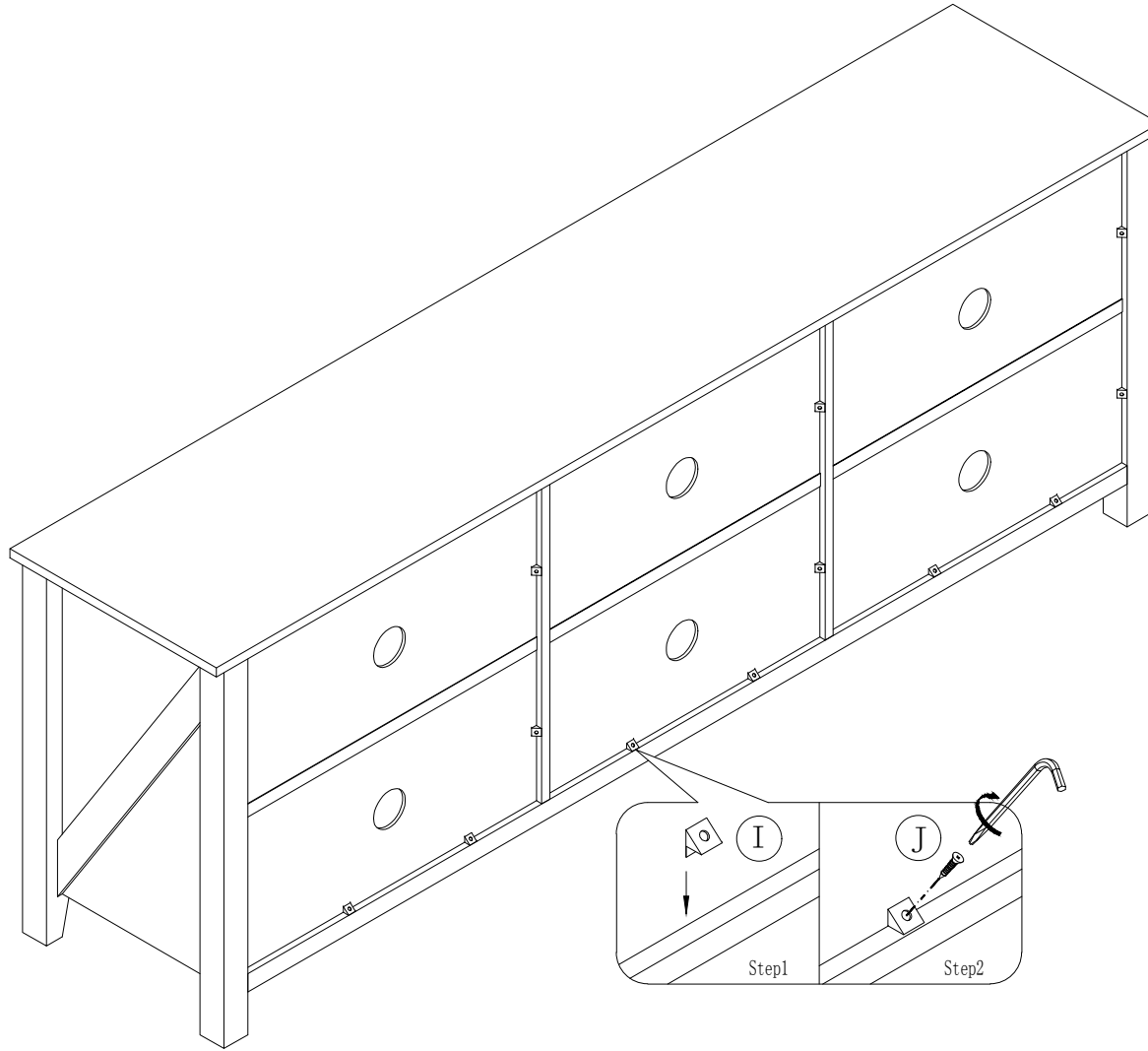
14		*4
15		*2



G	 L=555mm	*2
H	 L=520mm	*1

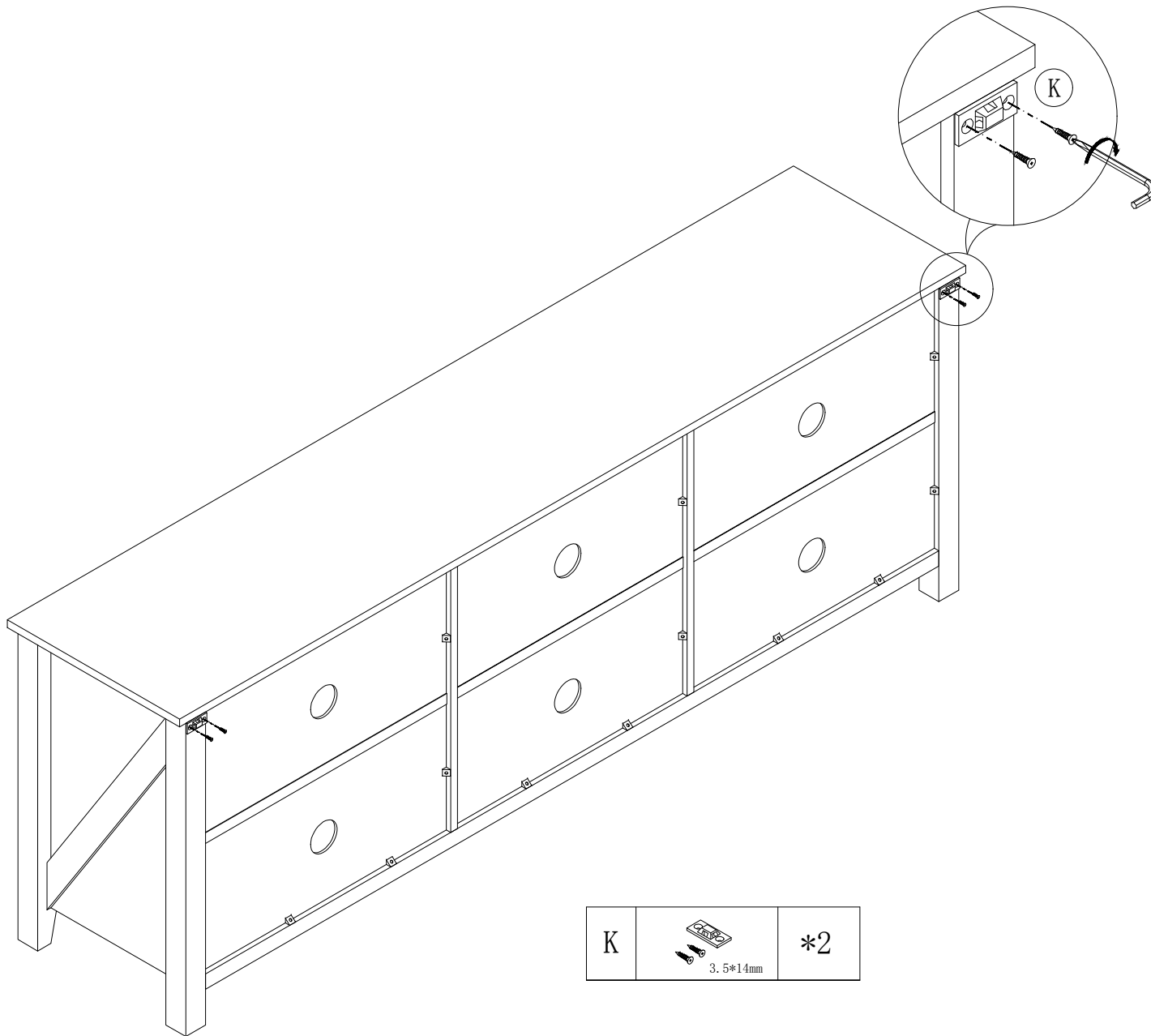



16		*1
----	--	----

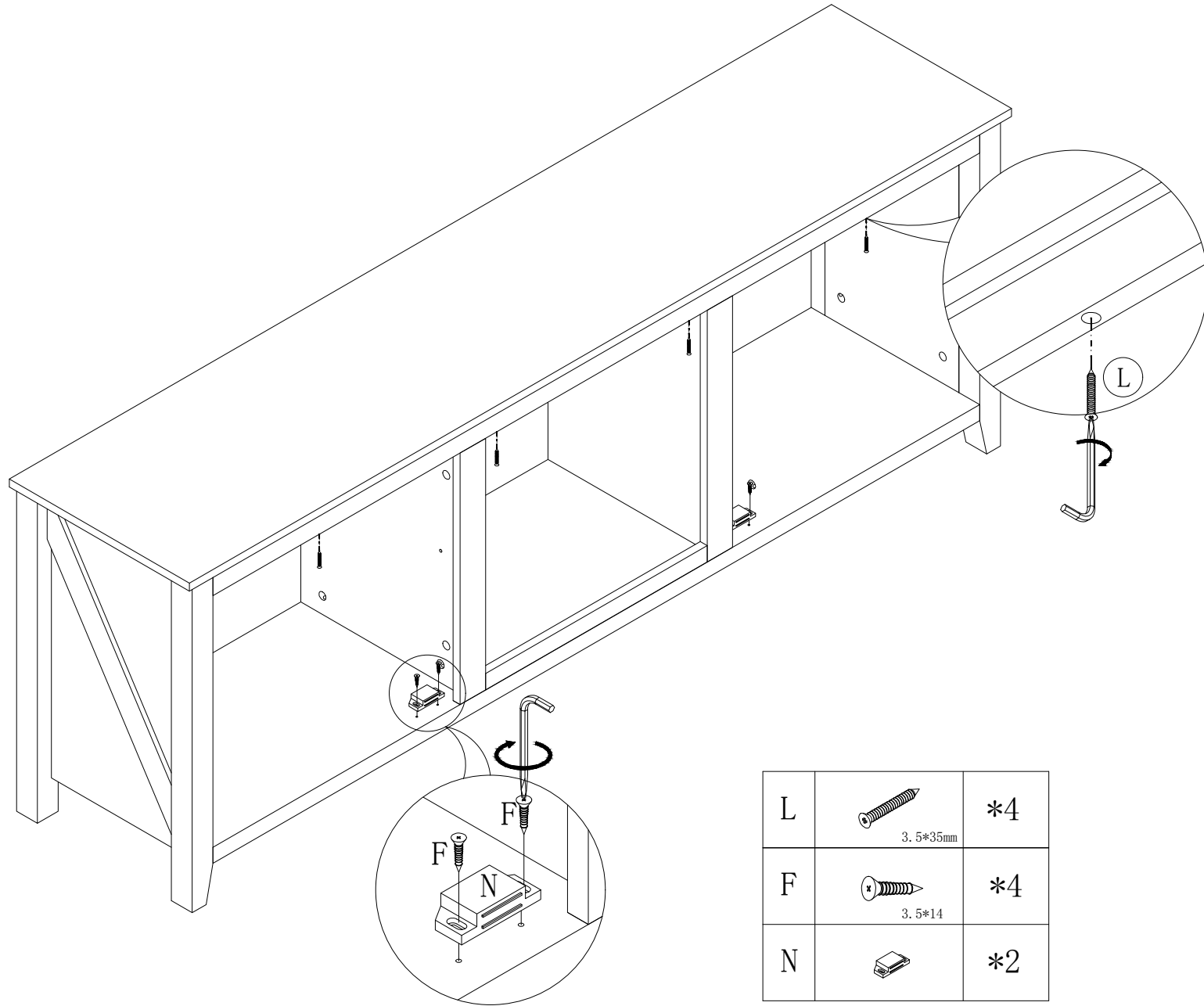
A		*8
B		*8
C		*4






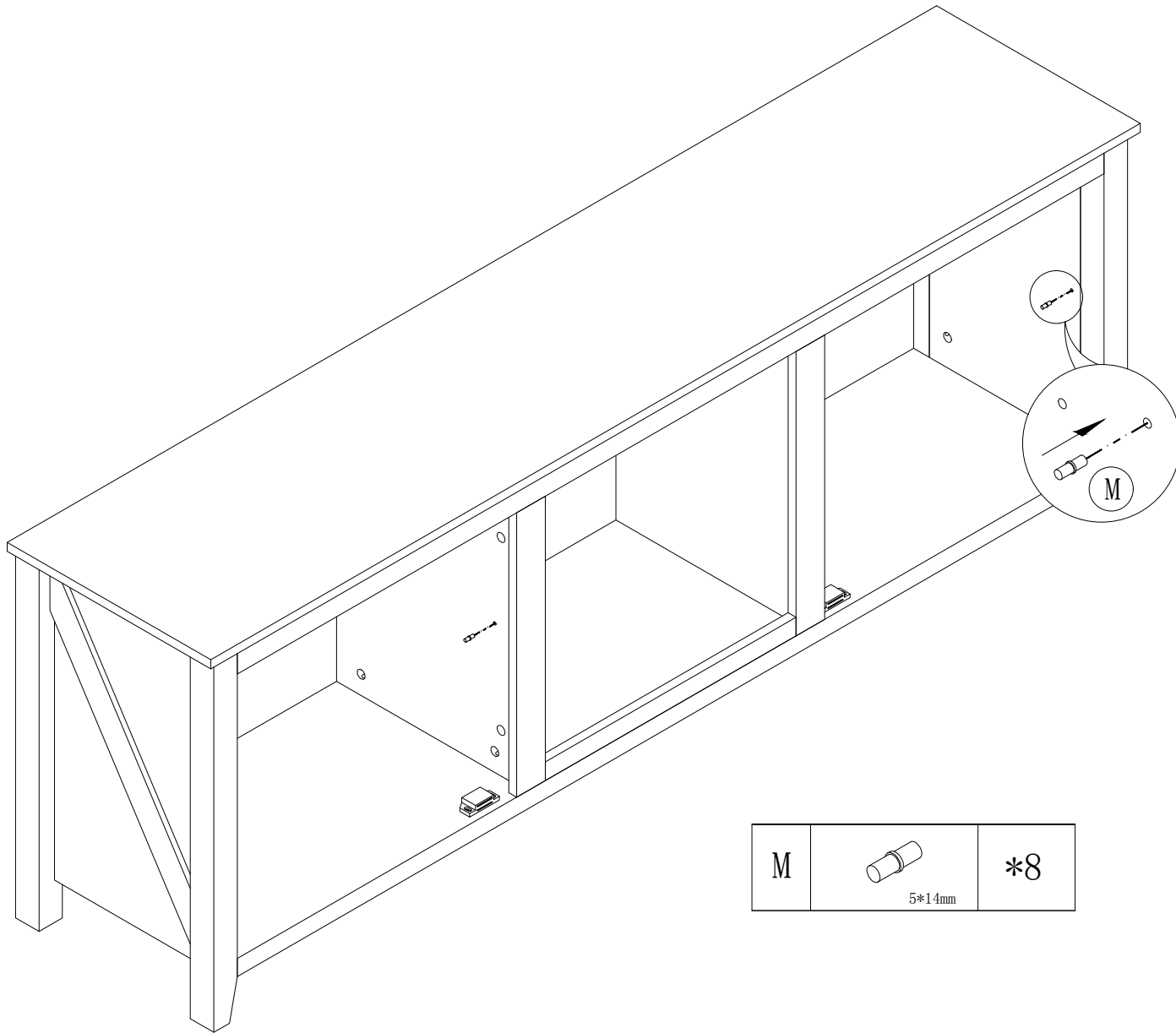
I		*24
J	 3.0*14mm	*24

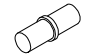


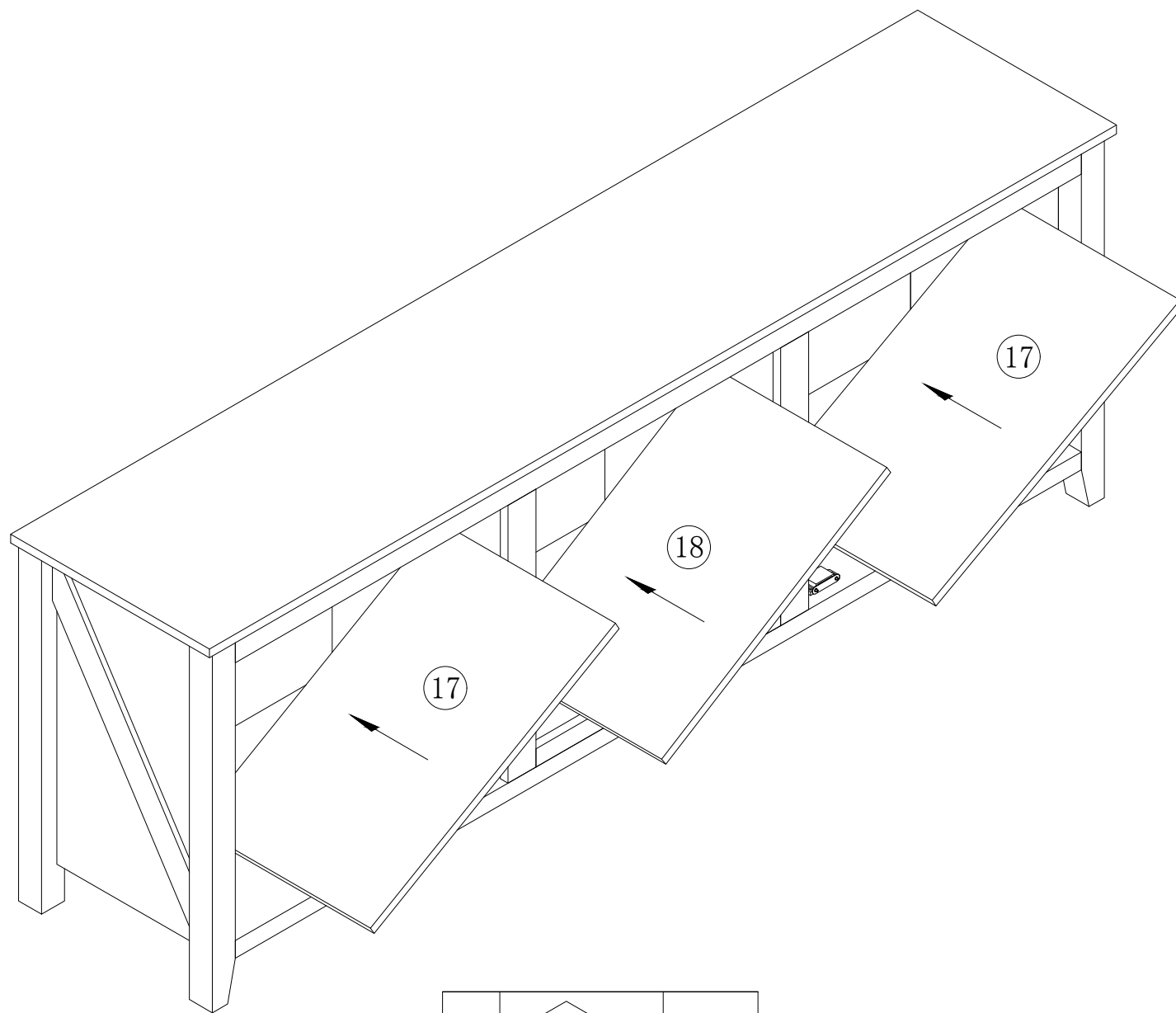
K	 3.5*14mm	*2
---	---	----

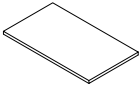
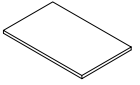


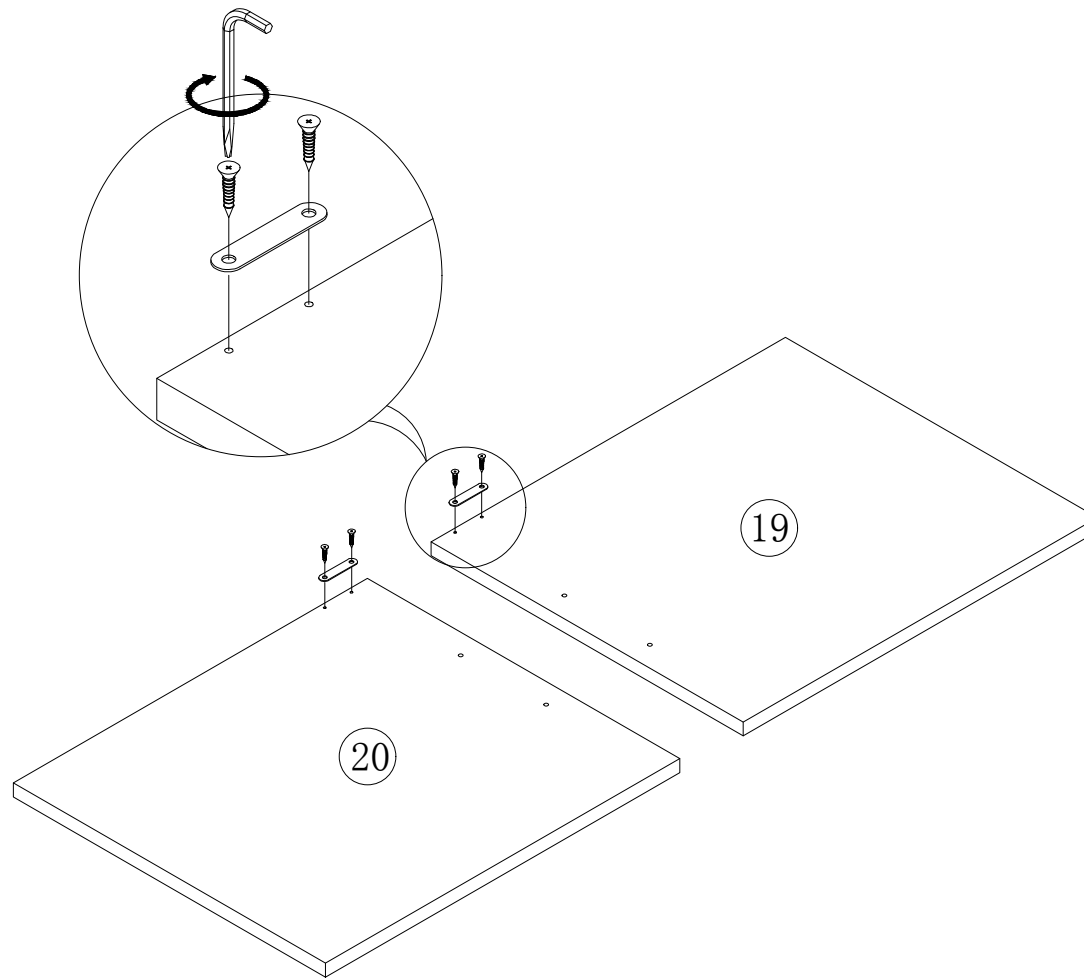
L	 3.5*35mm	*4
F	 3.5*14	*4
N		*2

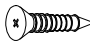



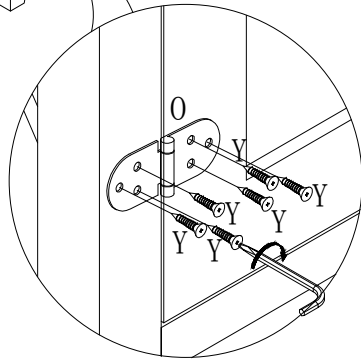
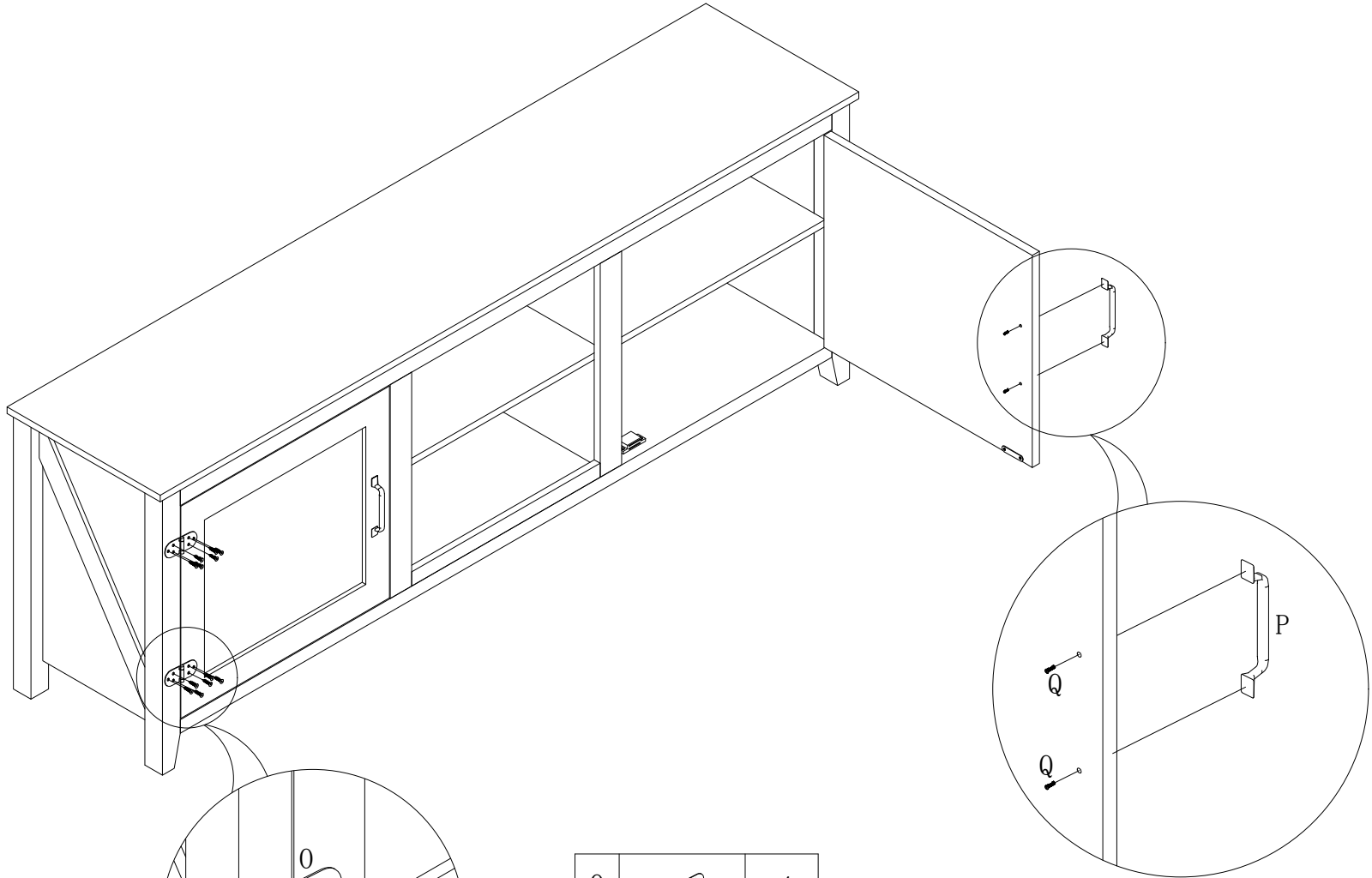
M	 5*14mm	*8
---	---	----







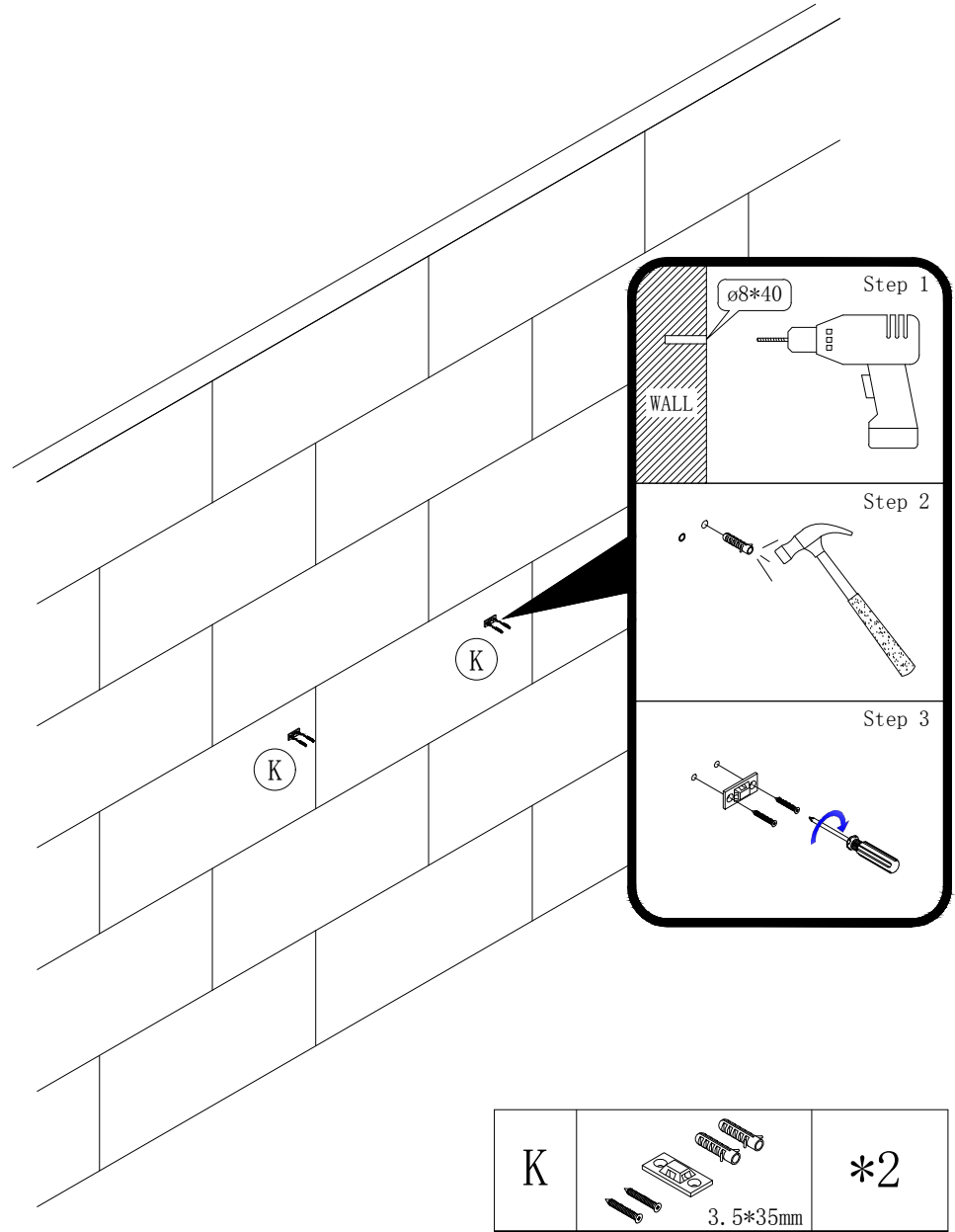
17		*2
18		*1



F	 3.5*14	*4
N		*2



O		*4
P		*2
Q		*4
Y	 3.5"14-圆头	*24




Step 1

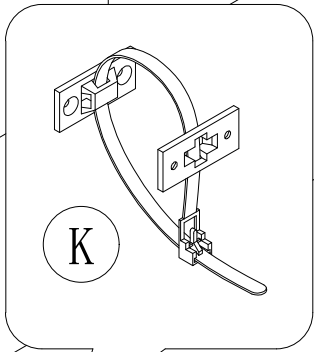
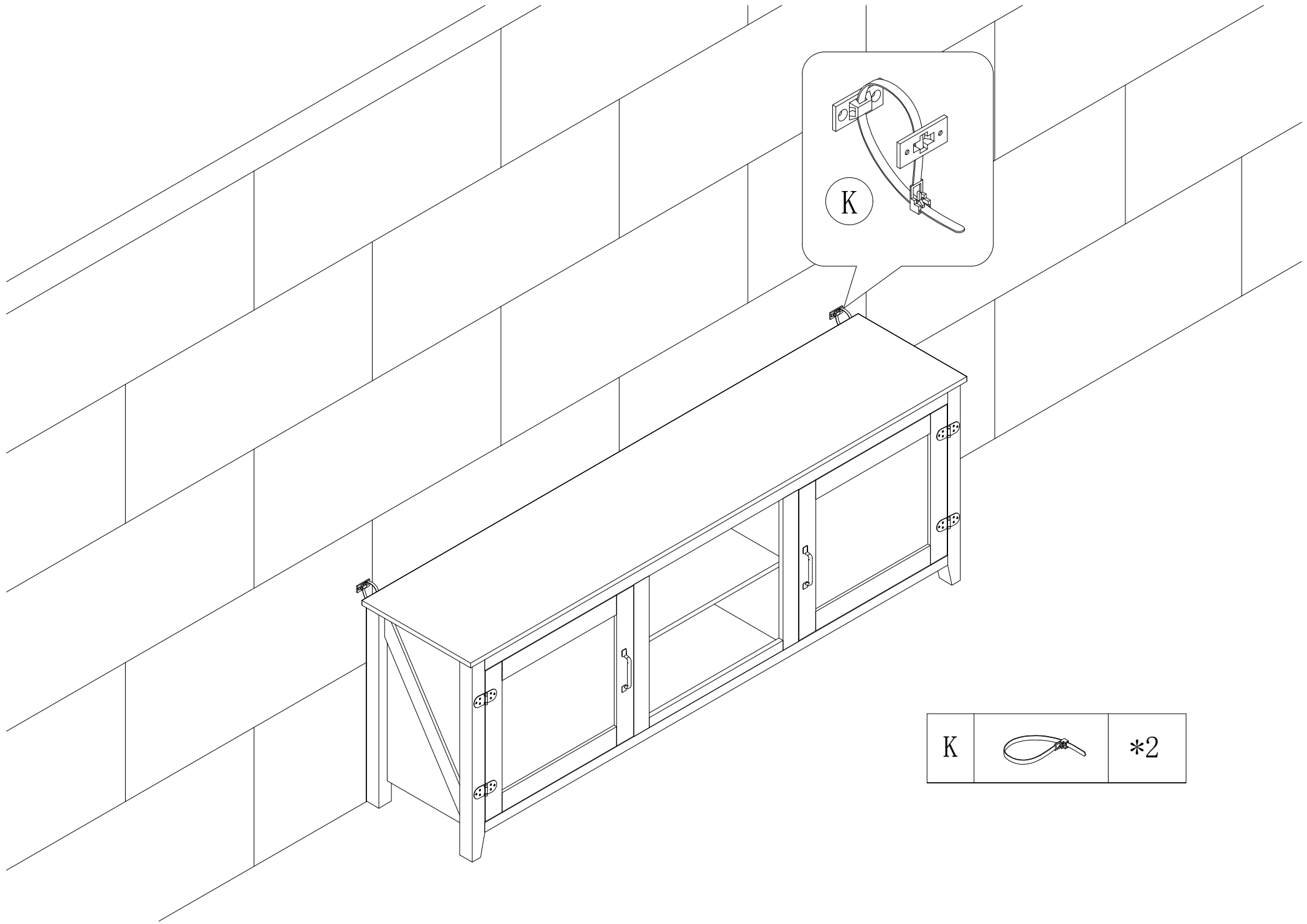
ø8*40


WALL

Step 2

Step 3

K	 <p>3.5*35mm</p>	*2
---	---	----



K		*2
---	---	----