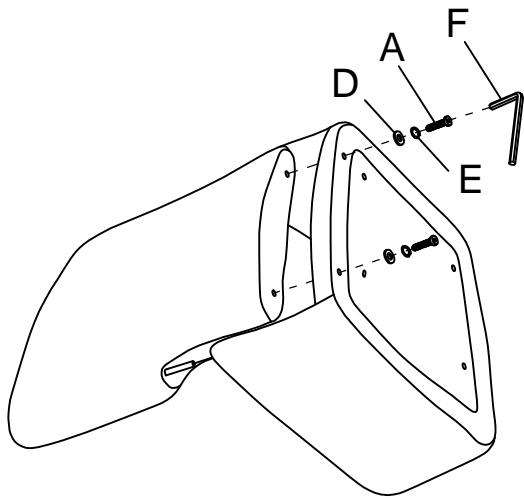
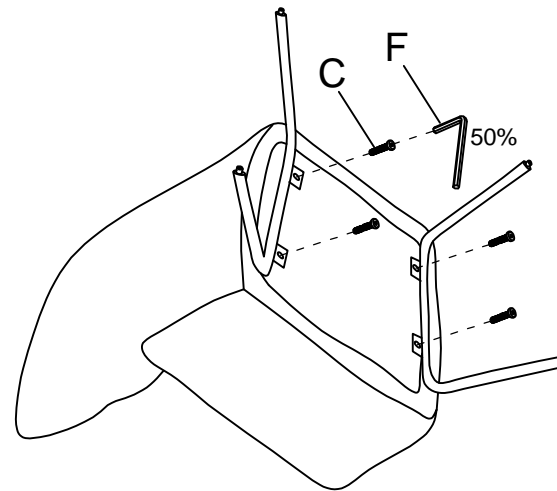


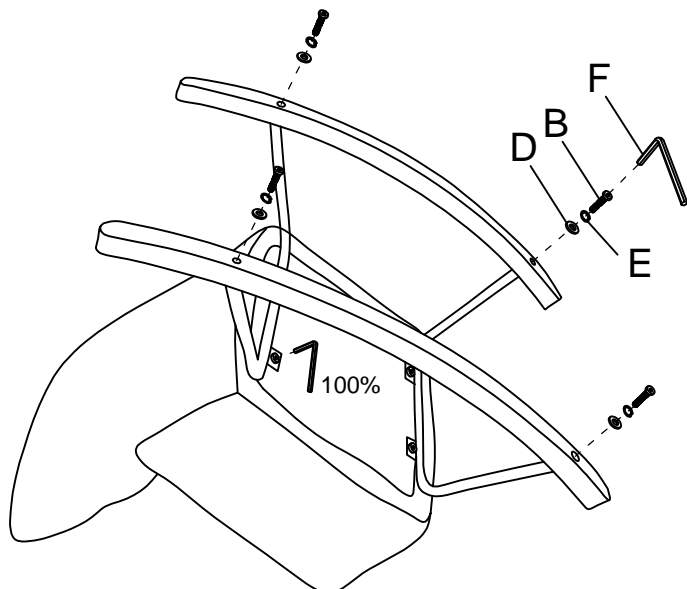
01



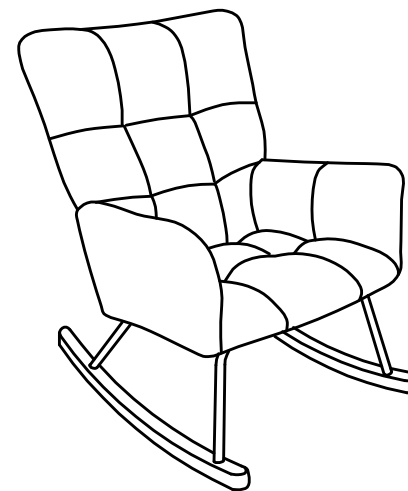
02



03



04



J20393

A



M8*30

x2

B



M8*35

x4

C



M8*25

x4

D



Φ8*17*2

x6

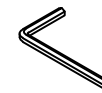
E



Φ8*13*2.0

x6

F



M5

x1