

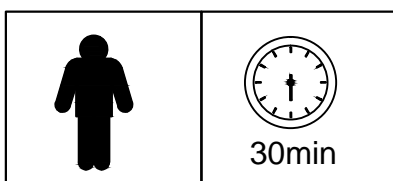
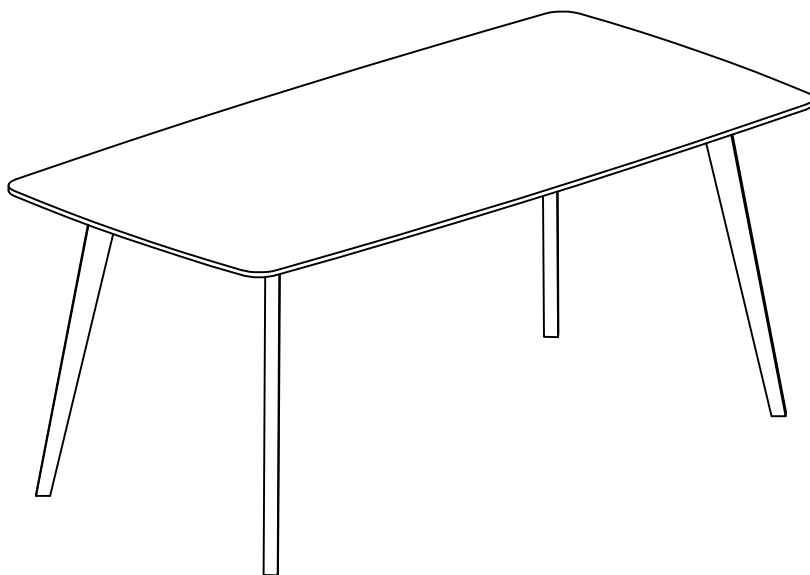
Assembly Instruction

Assembly & Manual

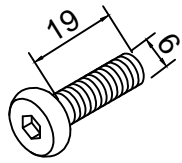
Thank you for choosing our product. This product is designed to be with compact package to save shipping cost. All components and accessories or hardware are separately packed and enclosed within the carton. please follow with the Manual/Instructions (enclosed within the cartons) step by step to install and assemble. Enjoy!

Wherever you purchased from, if you are happy with our products, your rating review or feedback would be highly appreciated. In case the carton came with any damages or defectives, please feel free to contact us for free replacement or money refunding

Thanks again.



A X 16



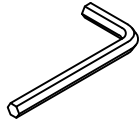
B X 16

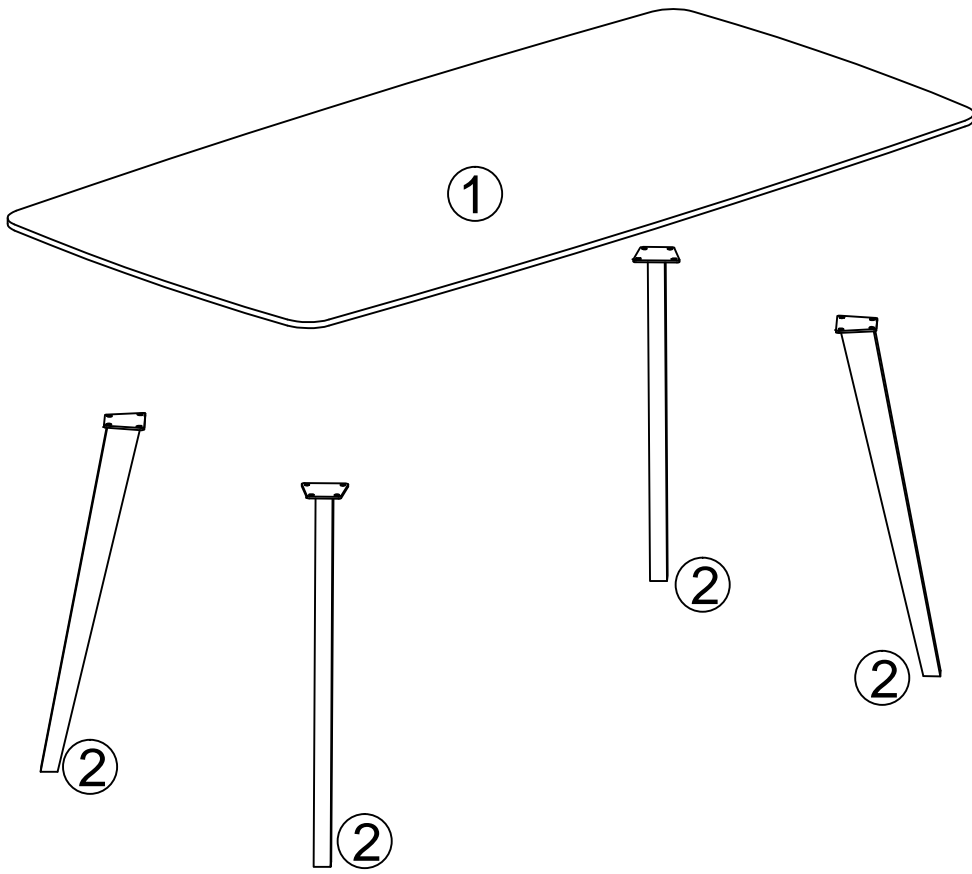


C X 16

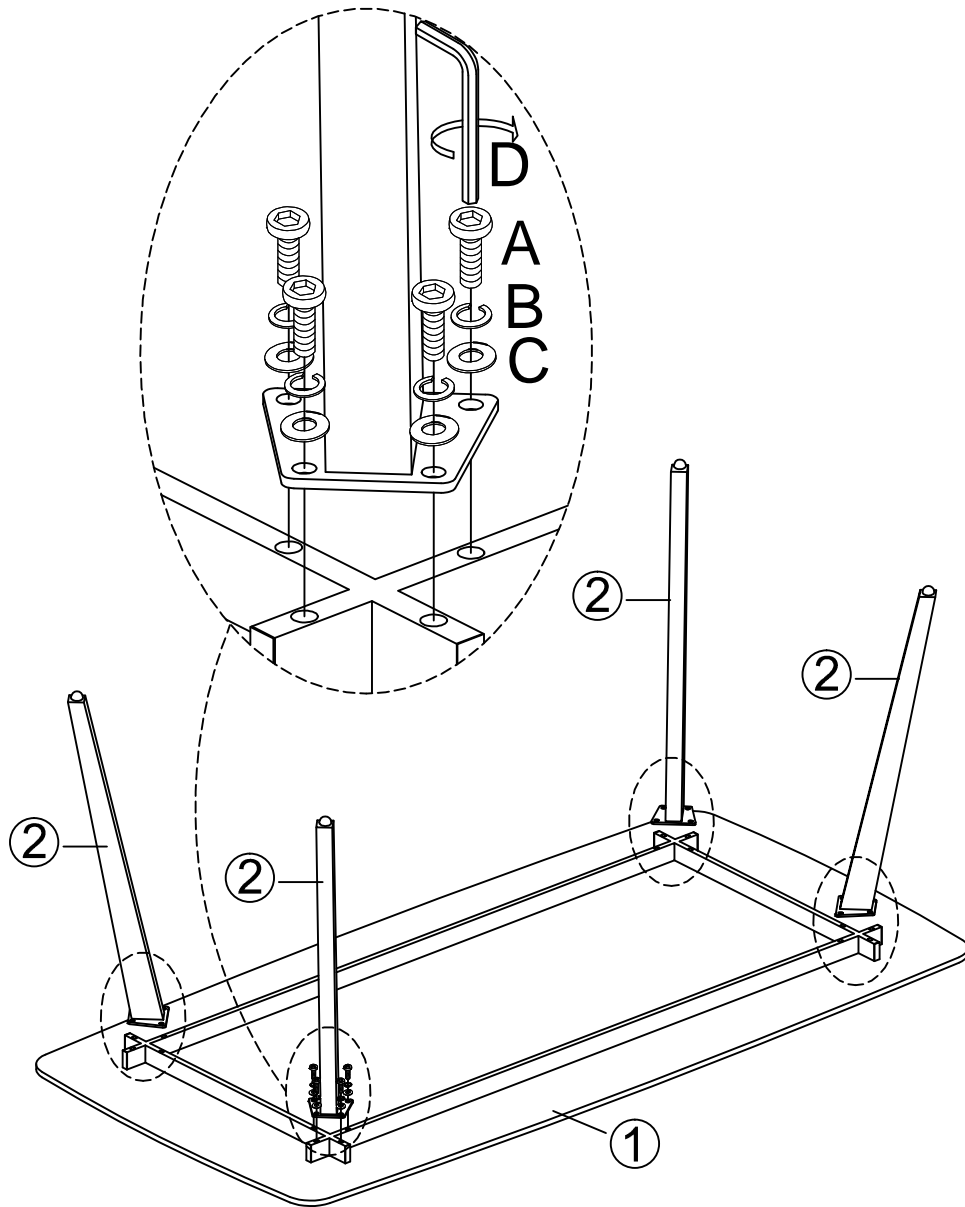


D X 1

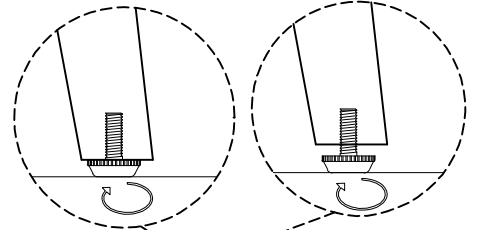
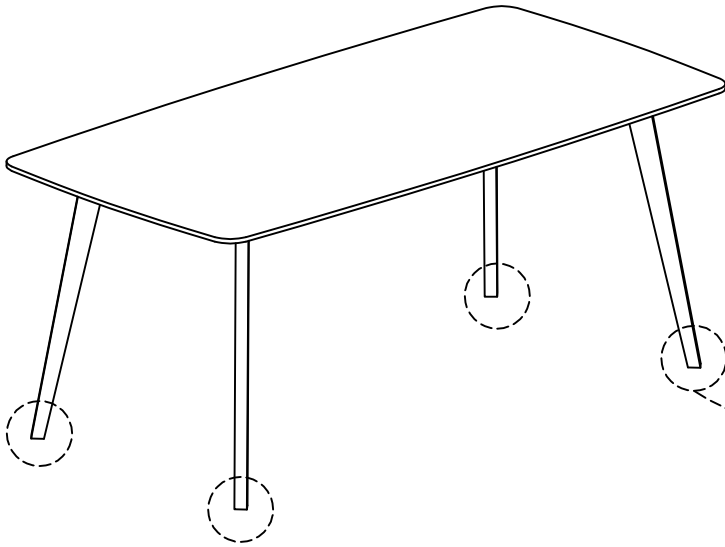




1



2



Adjust Pre-installed Levelers height to achieve balance.

3

