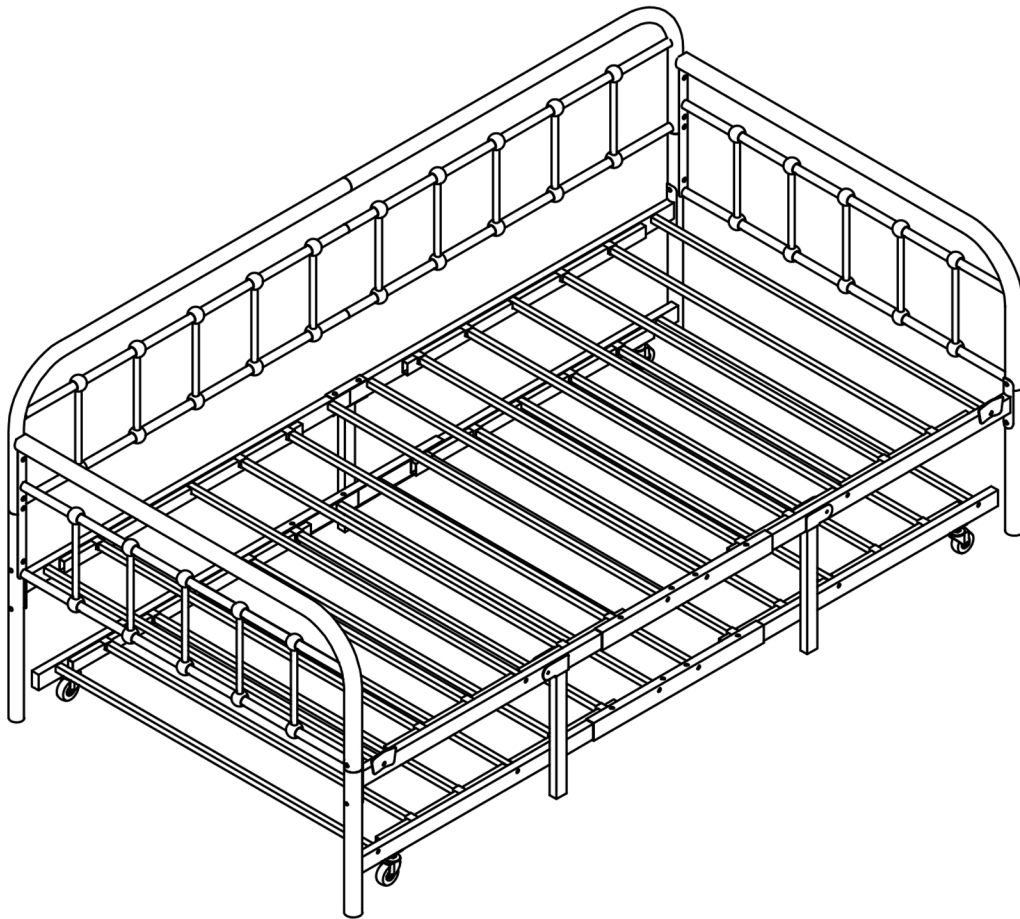


ASSEMBLY INSTRUCTION

MODEL NUMBER :BF-712C



WARRANTY:

We stand behind our products & service with confidence! If parts damaged or missing please feel free to contact us for a FREE REPLACEMENT.

We warranty this product to be free from defects in materials. This warranty covers one year from the date of original purchase.

NOTES:

- The item is only intended to be used indoors. The product must be assembled and used in accordance with the provisions of the manual.
- It is recommended that assembly is undertaken by about 2 adults. Please read assembly instructions before assembly and strictly adhere to each step outlined. Estimated assembly time is 30 minutes.





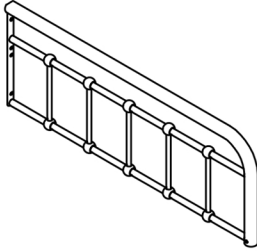
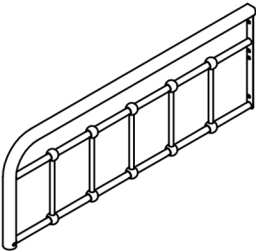
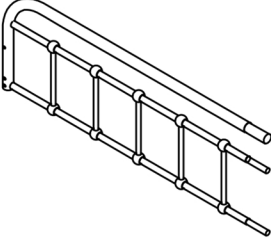
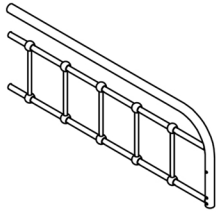
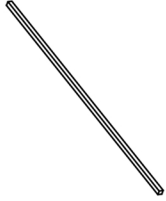
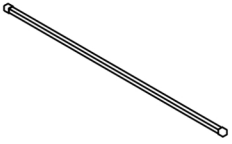
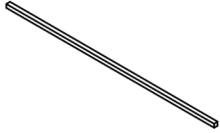
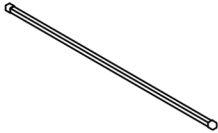
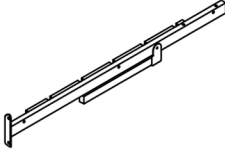
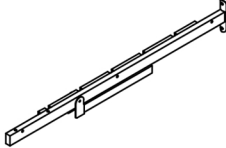
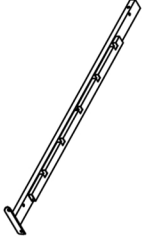
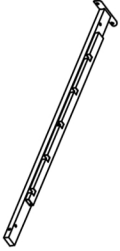
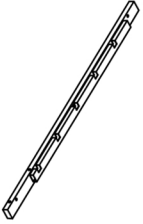
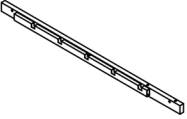
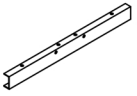
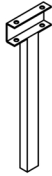


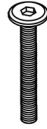
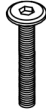




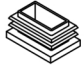


WARNING:

- **WARNING FOR YOUNG CHILDREN** - This product contains small components, please ensure that they are kept away from small children while assembling.

After-sales support email: after-saleservice@outlook.com

1

PARTS LIST

A	B	C	D	E	F	G	H	I					
													
1PC	1PC	1PC	1PC	1PC	1PC	1PC	1PC	6PCS					
J	K	L	M	N	O	P	Q						
													
8PCS	6PCS	8PCS	1PC	1PC	1PC	1PC	1PC						
R	S	V	Z	a	b	c	f	w	t	g	m	y	x
													
1PC	3PCS	1PC	2PCS	1/4*55 14PCS	1/4*45 12PCS	1/4*32 24PCS	1/4*16 10PCS	26PCS	8PCS	4PCS	1PC	2PCS	2PCS

IMPORTANT:

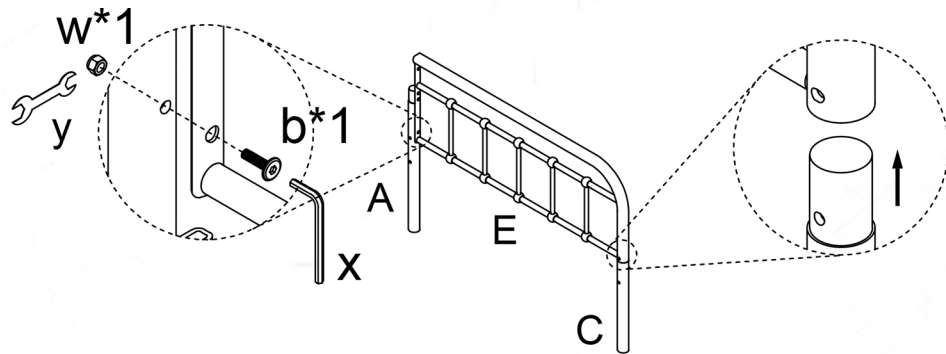
Please check parts list before you start to assembly. If parts damaged or missing. Contact your seller for a FREE REPLACEMENT. Please provide your order number, a brief message about the issue, and your shipping address. Thank you!

After-sales support email: after-saleservice@outlook.com

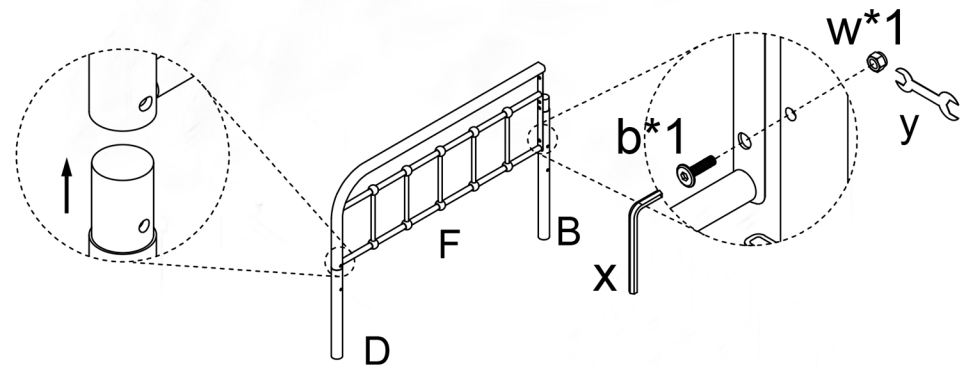
2

NOTE: PLEASE DO NOT TIGHTEN THE BOLTS UNTIL ALL FIXED

①



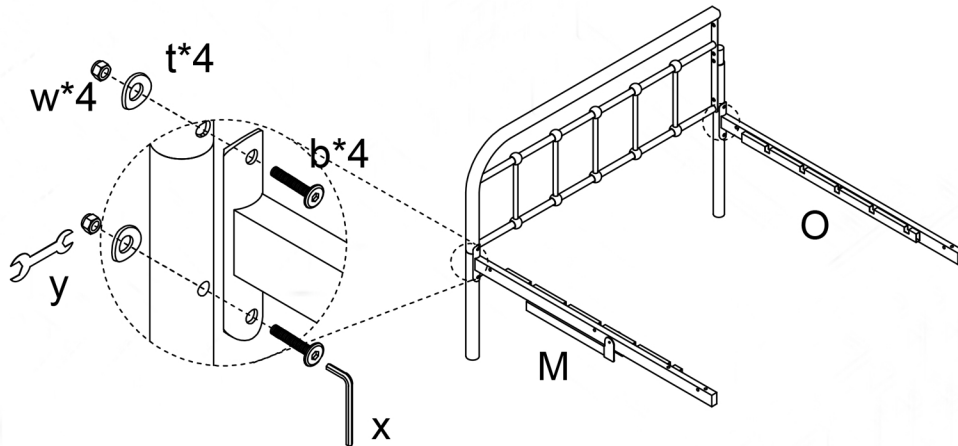
②



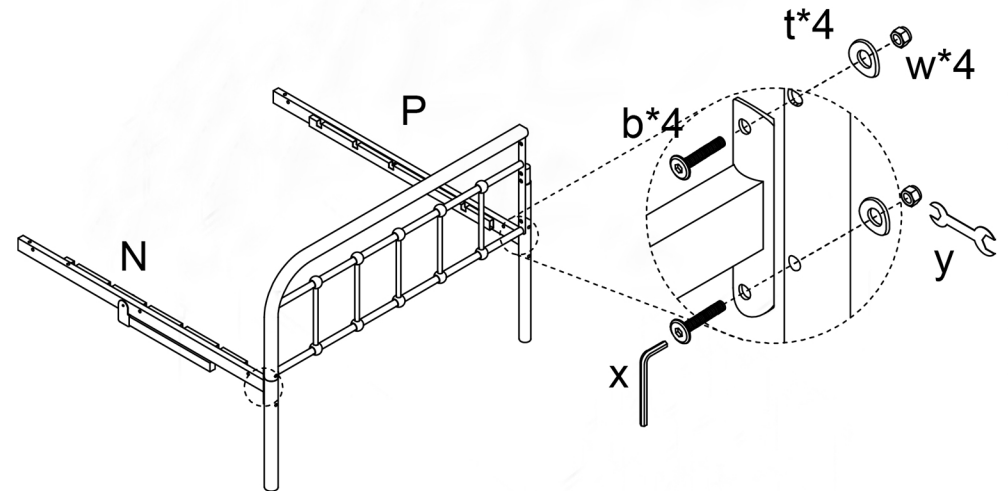
3

NOTE: PLEASE DO NOT TIGHTEN THE BOLTS UNTIL ALL FIXED

3

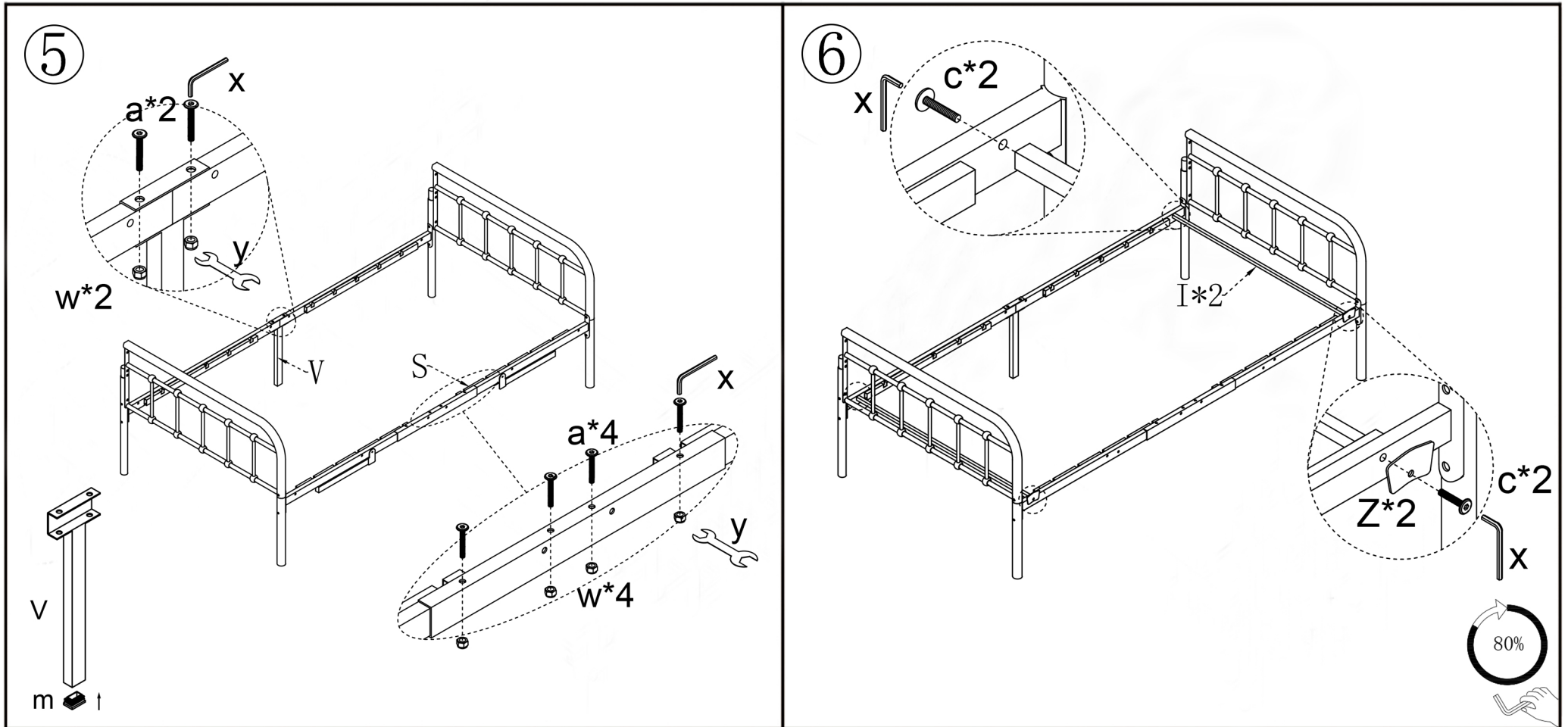


4



4

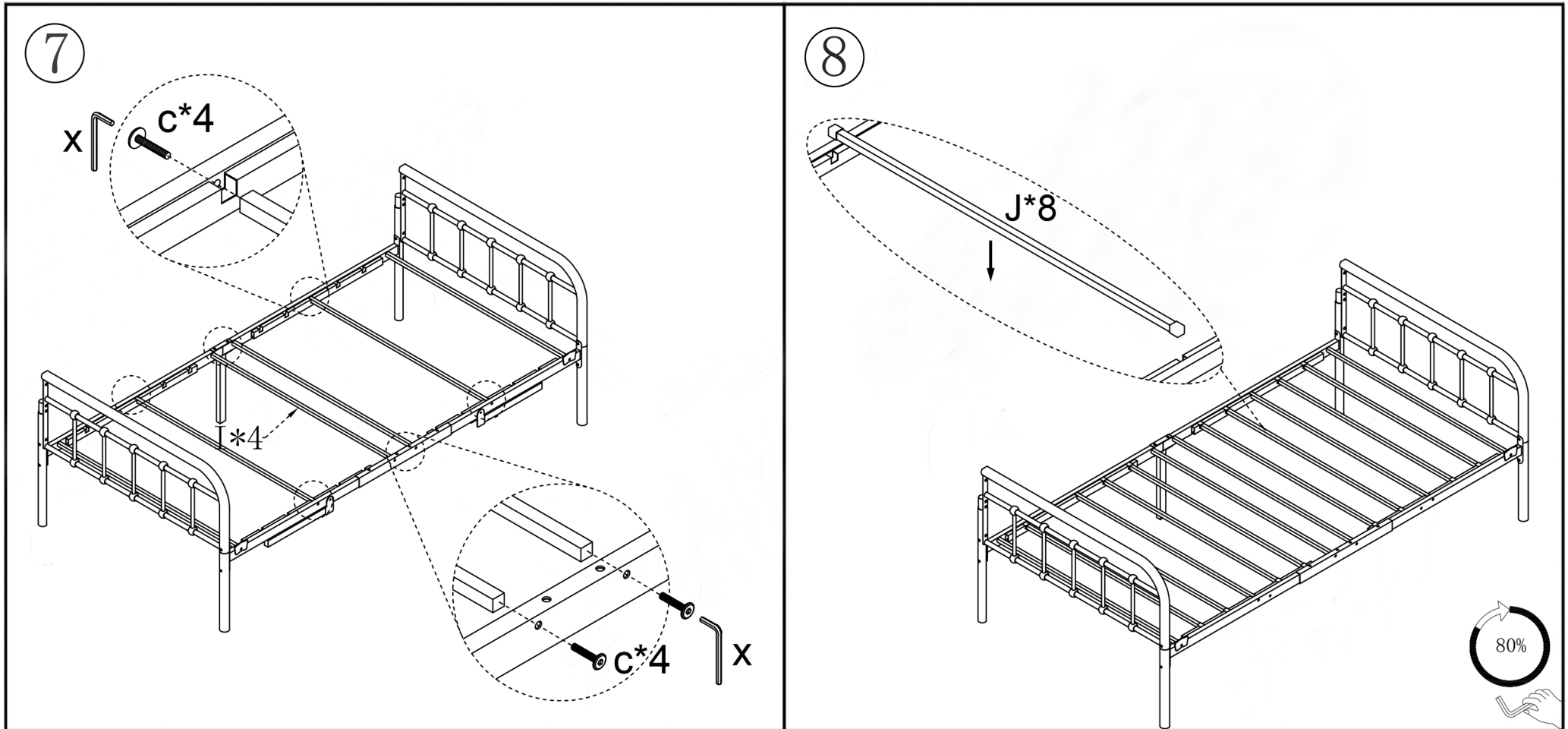
NOTE: PLEASE DO NOT TIGHTEN THE BOLTS UNTIL ALL FIXED



After-sales support email: after-saleservice@outlook.com

5

NOTE: PLEASE DO NOT TIGHTEN THE BOLTS UNTIL ALL FIXED

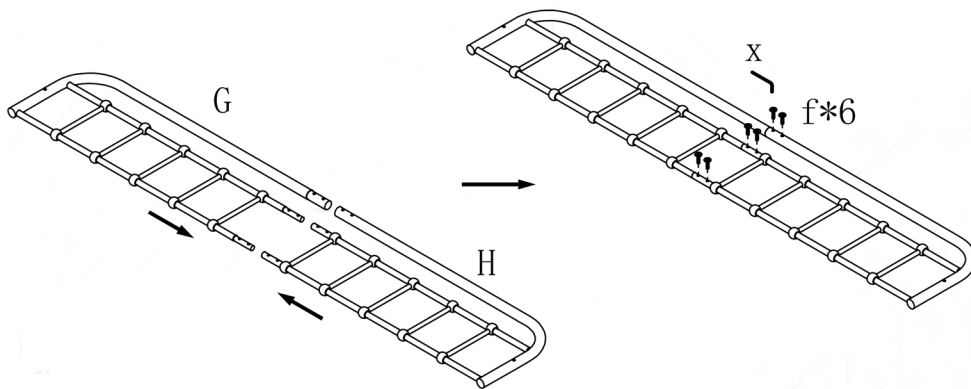


After-sales support email: after-saleservice@outlook.com

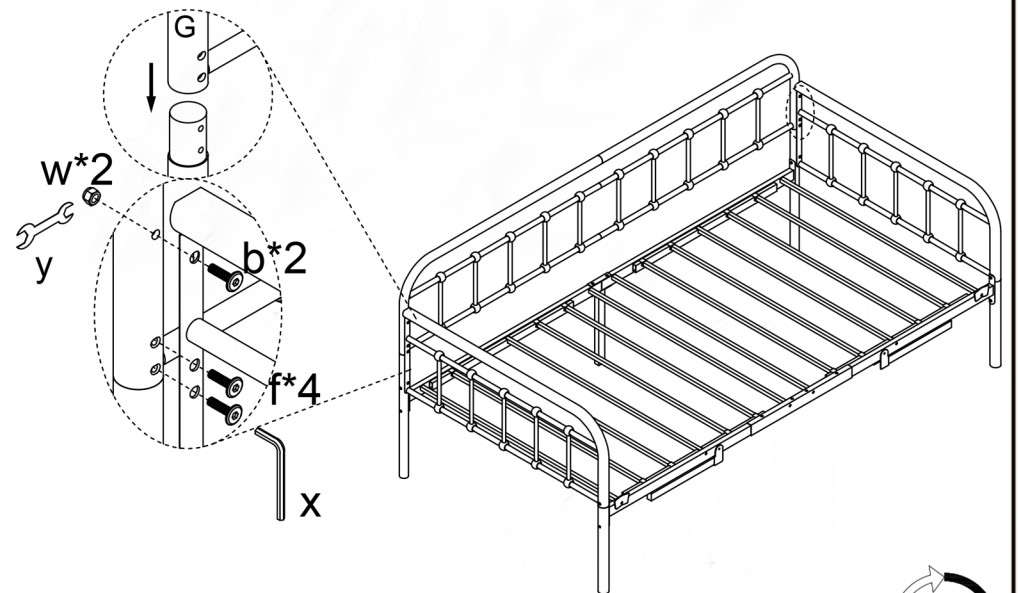
6

NOTE: PLEASE DO NOT TIGHTEN THE BOLTS UNTIL ALL FIXED

9



10

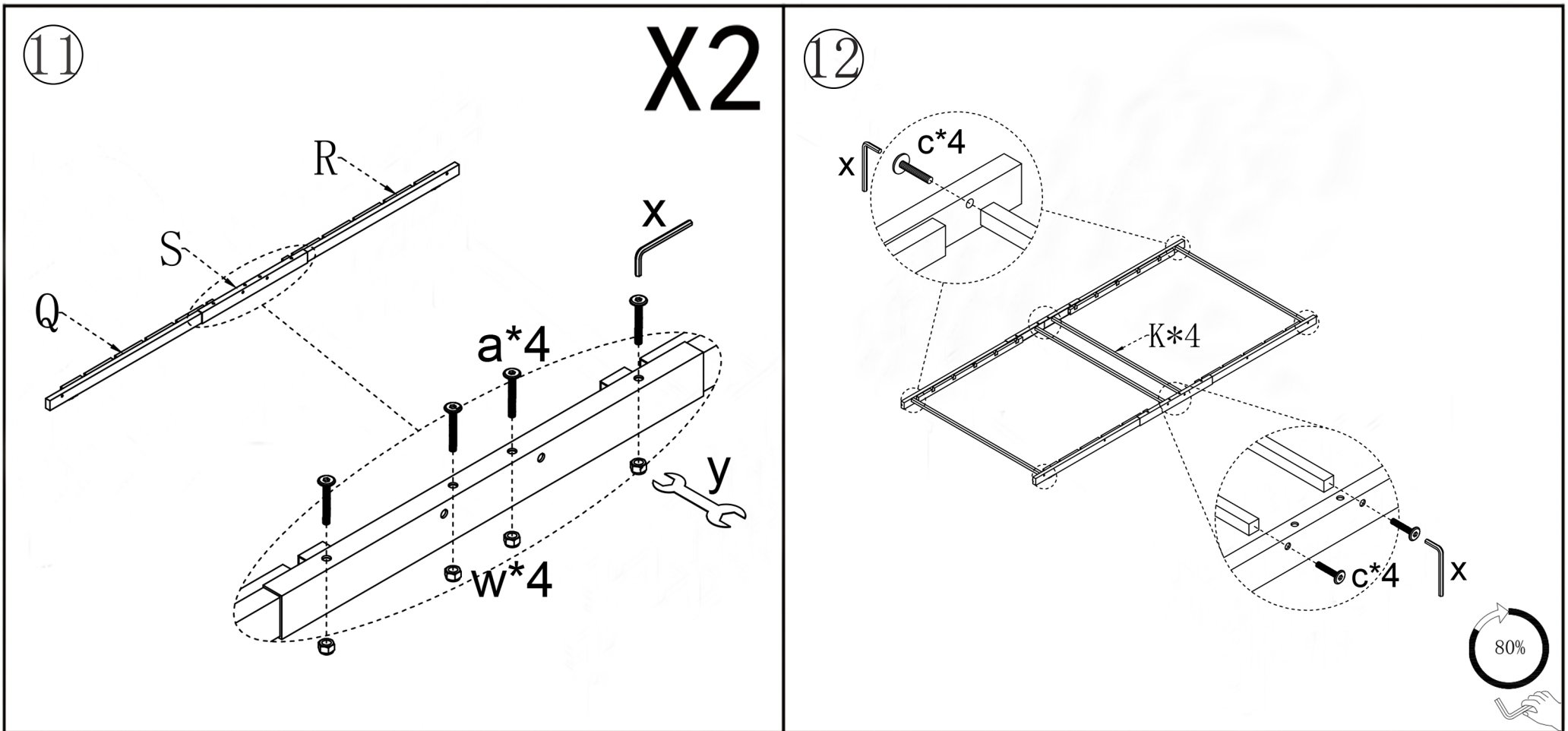


80%

After-sales support email: after-saleservice@outlook.com

7

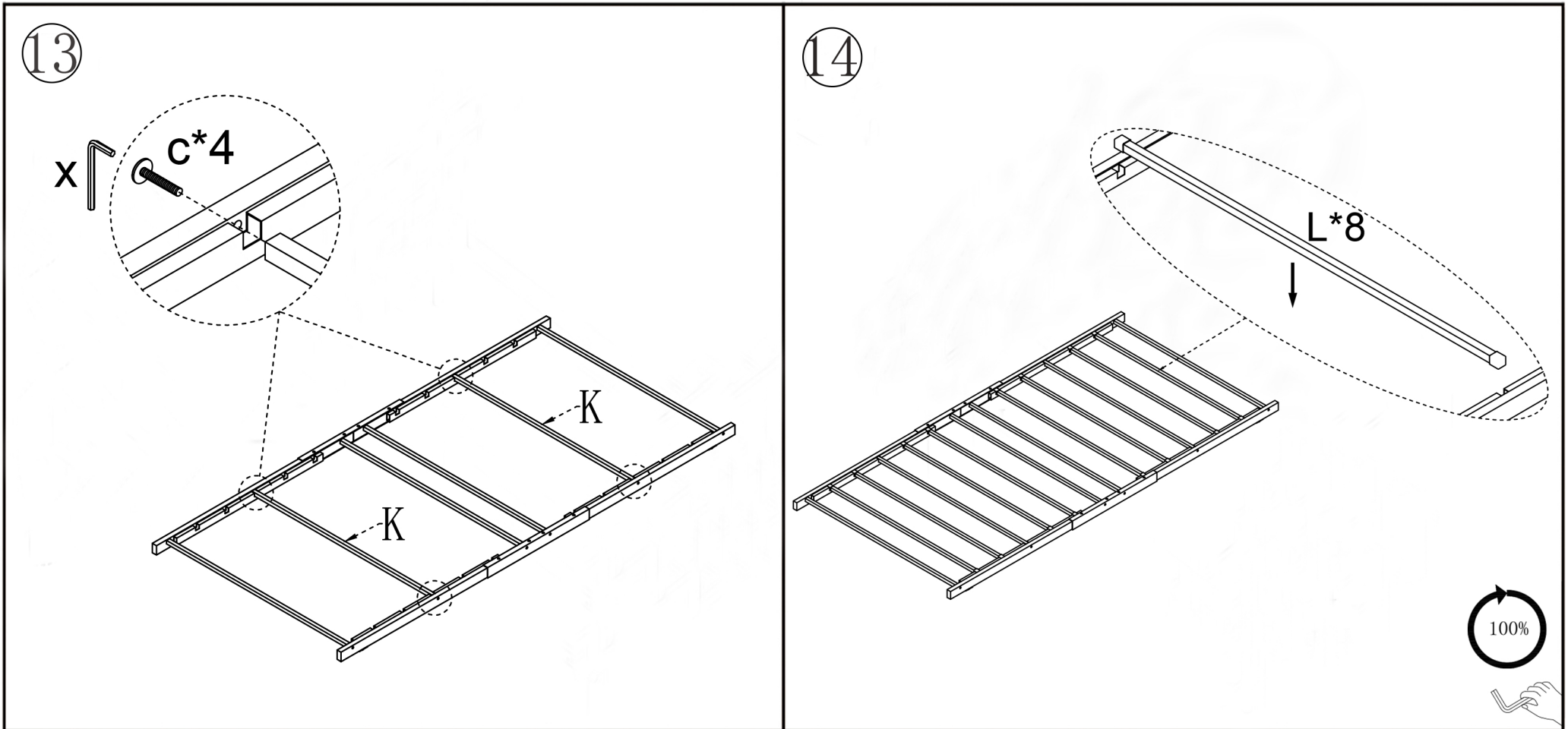
NOTE: PLEASE DO NOT TIGHTEN THE BOLTS UNTIL ALL FIXED



After-sales support email: after-saleservice@outlook.com

8

NOTE: PLEASE DO NOT TIGHTEN THE BOLTS UNTIL ALL FIXED

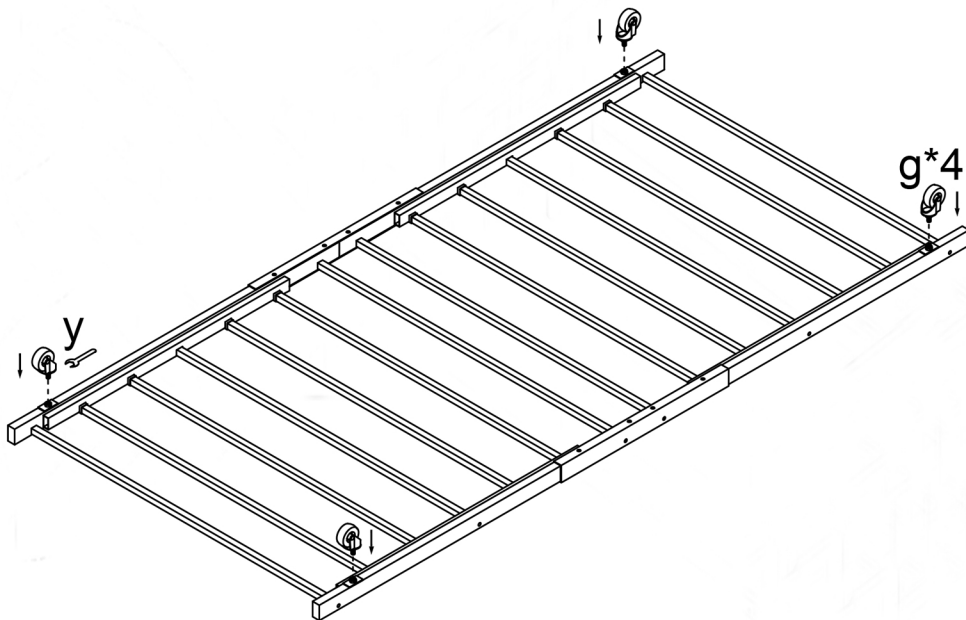


After-sales support email: after-saleservice@outlook.com

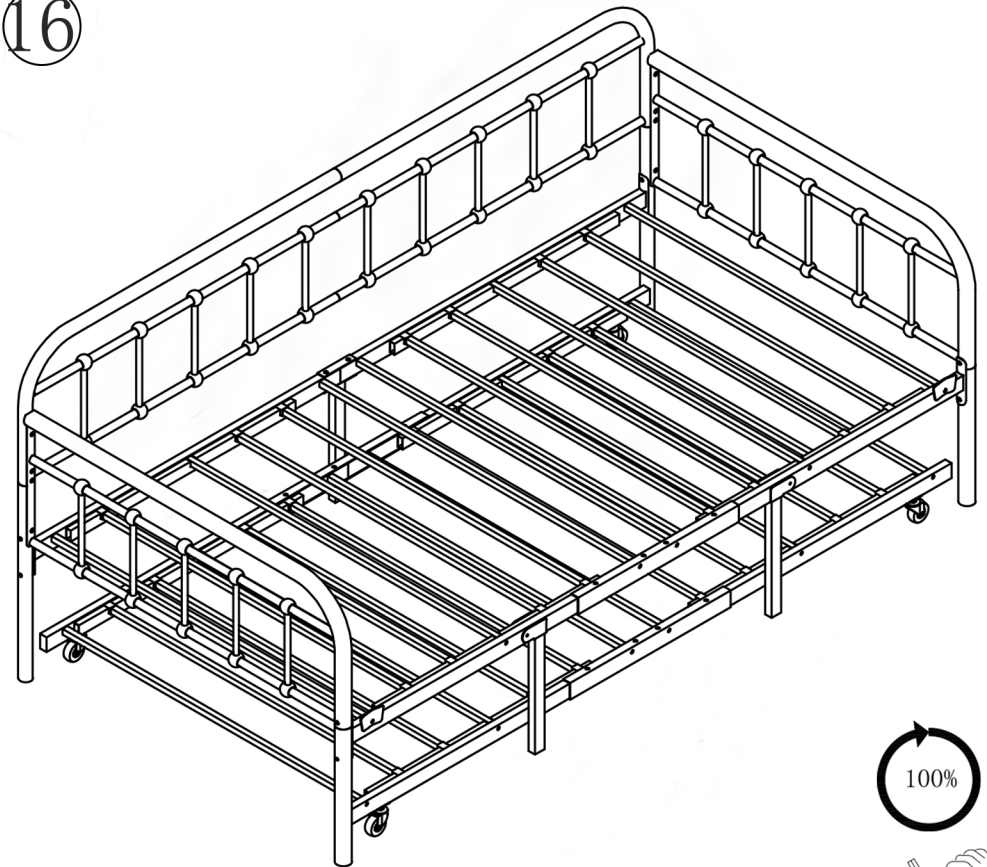
9

NOTE: PLEASE DO NOT TIGHTEN THE BOLTS UNTIL ALL FIXED

15



16



IMPORTANT:Please completely tighten all the bolts and nuts.

After-sales support email: after-saleservice@outlook.com