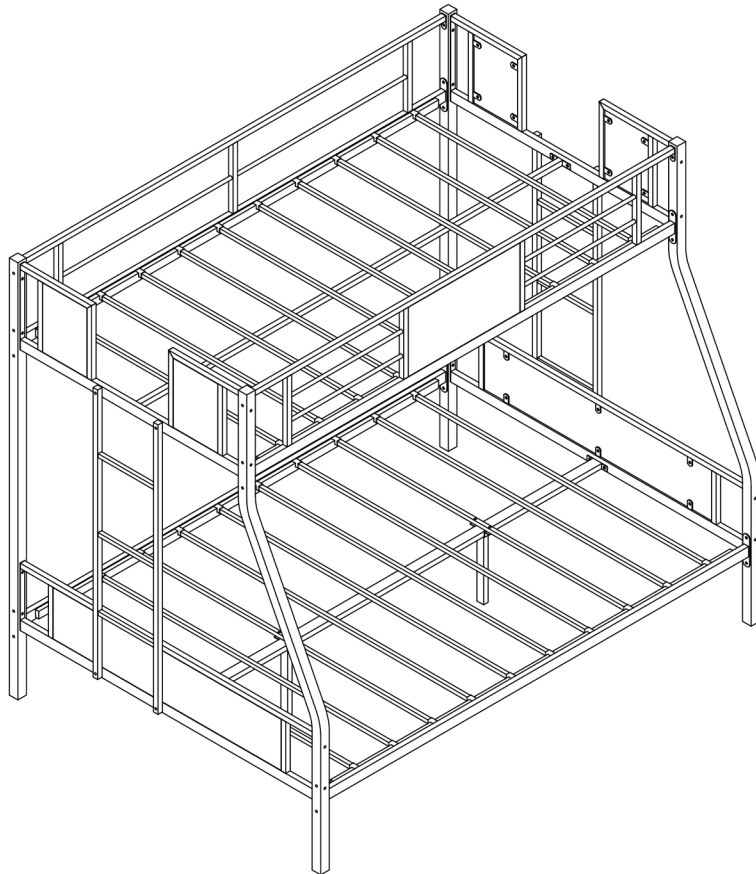


ASSEMBLY INSTRUCTION

MODEL NUMBER : BF-923



WARRANTY:

We stand behind our products & service with confidence! If parts damaged or missing please feel free to contact us for a FREE REPLACEMENT.

We warranty this product to be free from defects in materials. This warranty covers one year from the date of original purchase.

NOTES:

- The item is only intended to be used indoors. The product must be assembled and used in accordance with the provisions of the manual.
- It is recommended that assembly is undertaken by about 2 adults. Please read assembly instructions before assembly and strictly adhere to each step outlined. Estimated assembly time is 30 minutes.



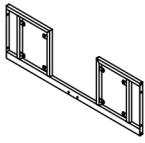
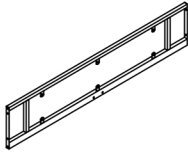
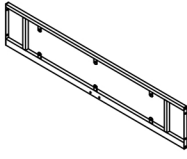
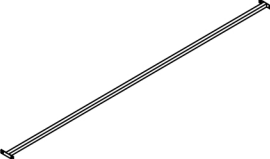
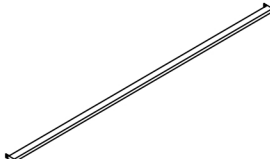
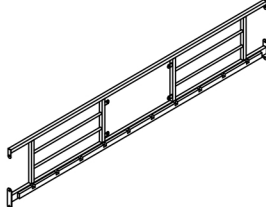
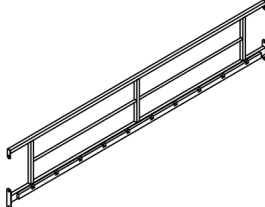


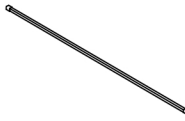
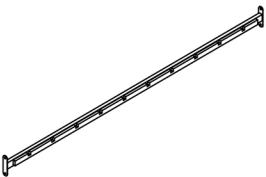
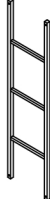
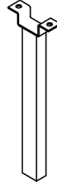
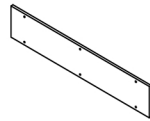

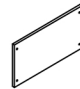









WARNING:

- **WARNING FOR YOUNG CHILDREN** - This product contains small components, please ensure that they are kept away from small children while assembling.

After-sales support email: after-saleservice@outlook.com

1

PARTS LIST

A	B	C	D	E	F	G	H	I	J							
																
2PCS	2PCS	2PCS	1PC	1PC	1PC	1PC	1PC	1PC	10PCS							
K	L	M	N	O	P	Q	R	a	b	c	d	e	f	g	h	i
																
2PCS	8PCS	2PCS	2PCS	2PCS	2PCS	4PCS	1PC	1/4*50 36PCS	1/4*35 8PCS	1/4*28 4PCS	1/4*16 8PCS	M6*12 32PCS	36PCS	40PCS	2PCS	2PCS

IMPORTANT:

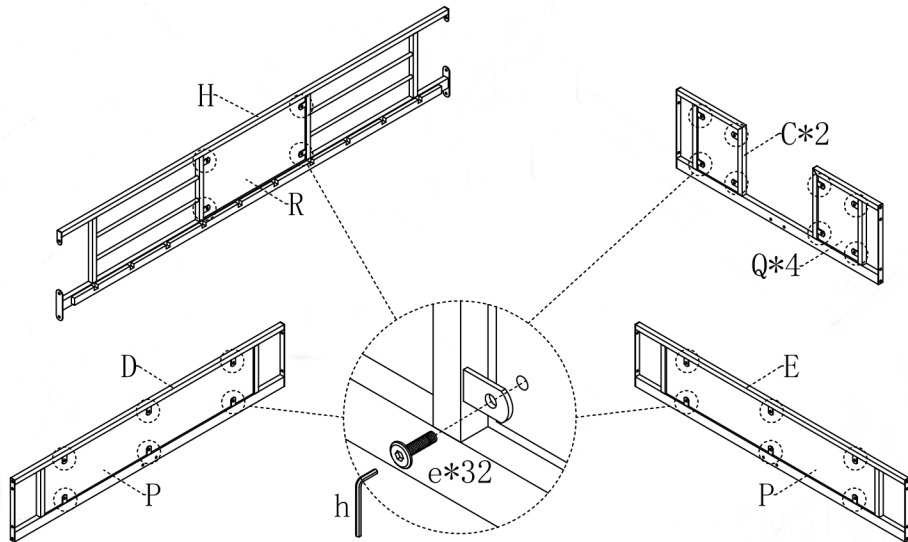
Please check parts list before you start to assembly. If parts damaged or missing. Contact your seller for a FREE REPLACEMENT. Please provide your order number, a brief message about the issue, and your shipping address. Thank you!

After-sales support email: after-saleservice@outlook.com

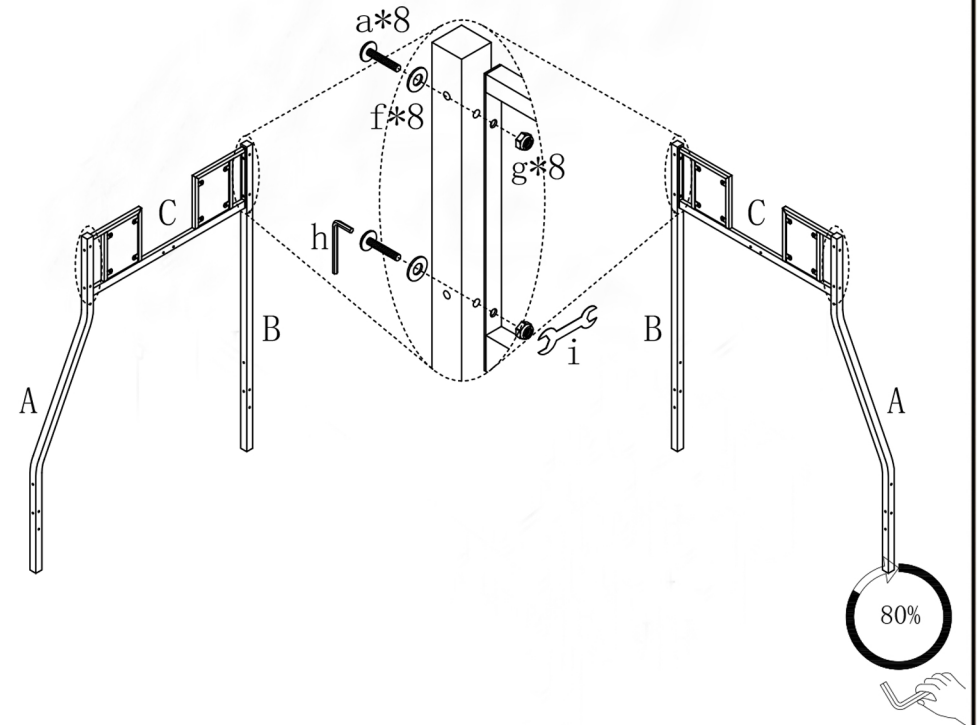
2

NOTE: PLEASE DO NOT TIGHTEN THE BOLTS UNTIL ALL FIXED

1



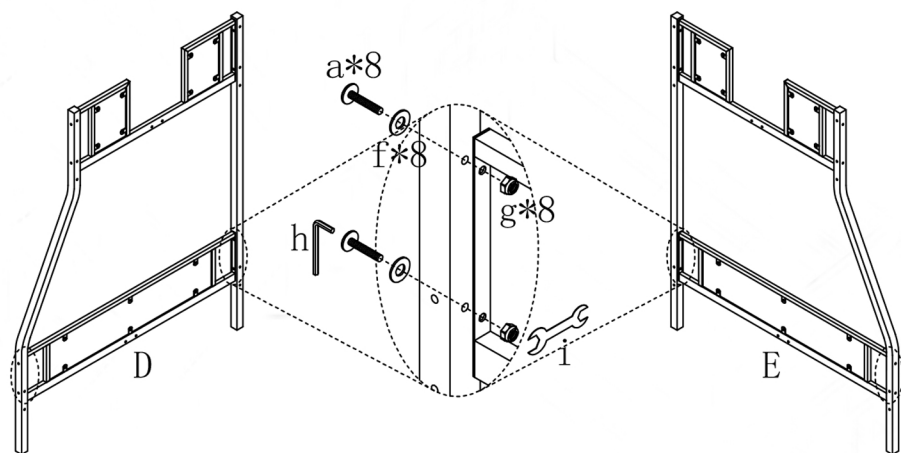
2



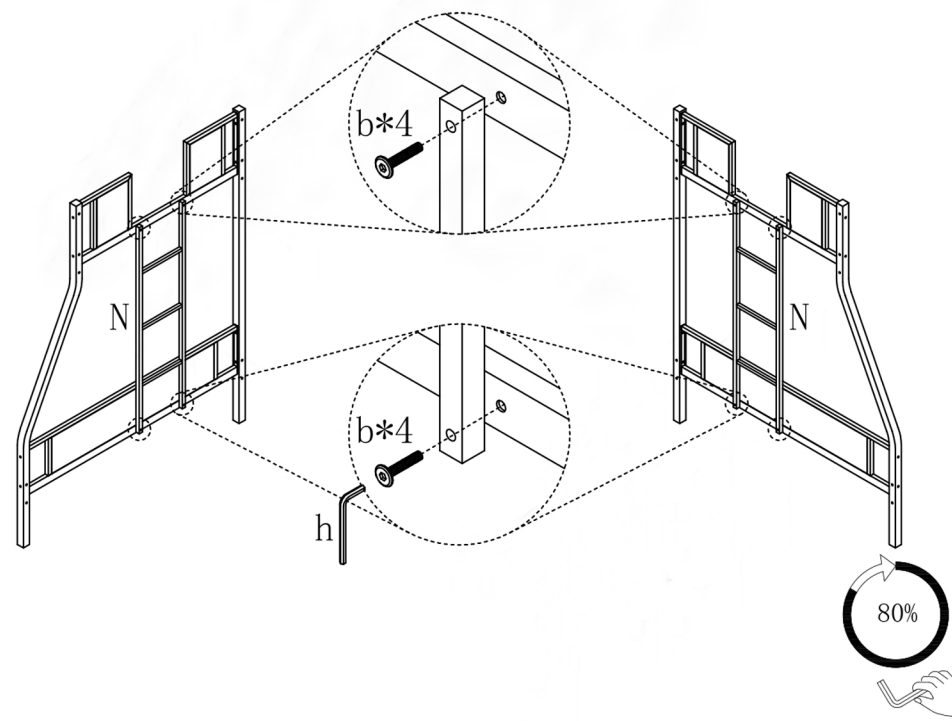
3

NOTE: PLEASE DO NOT TIGHTEN THE BOLTS UNTIL ALL FIXED

3



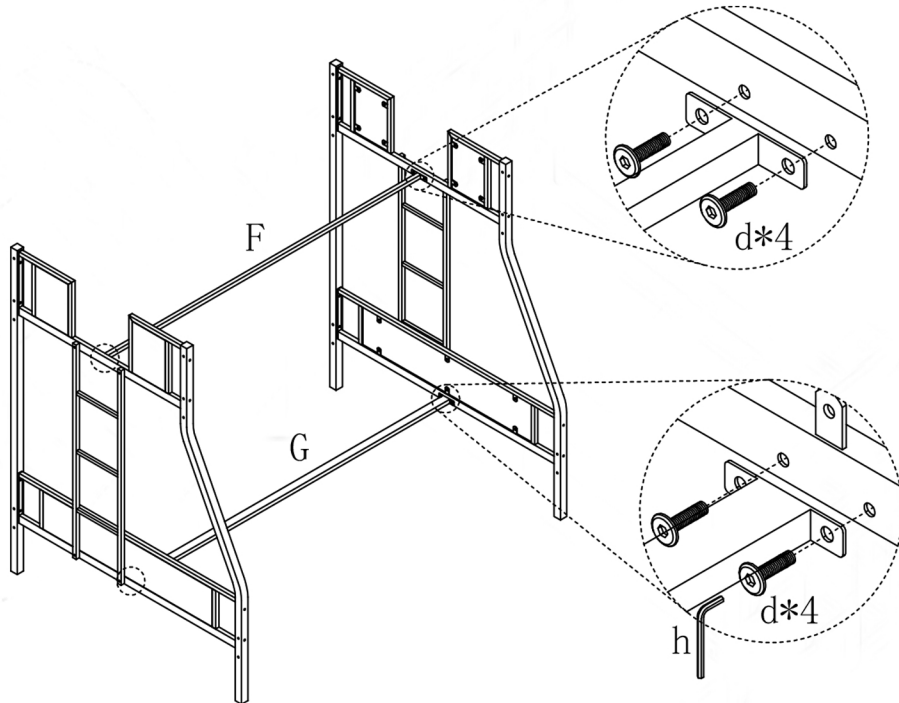
4



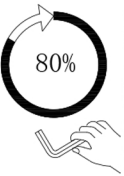
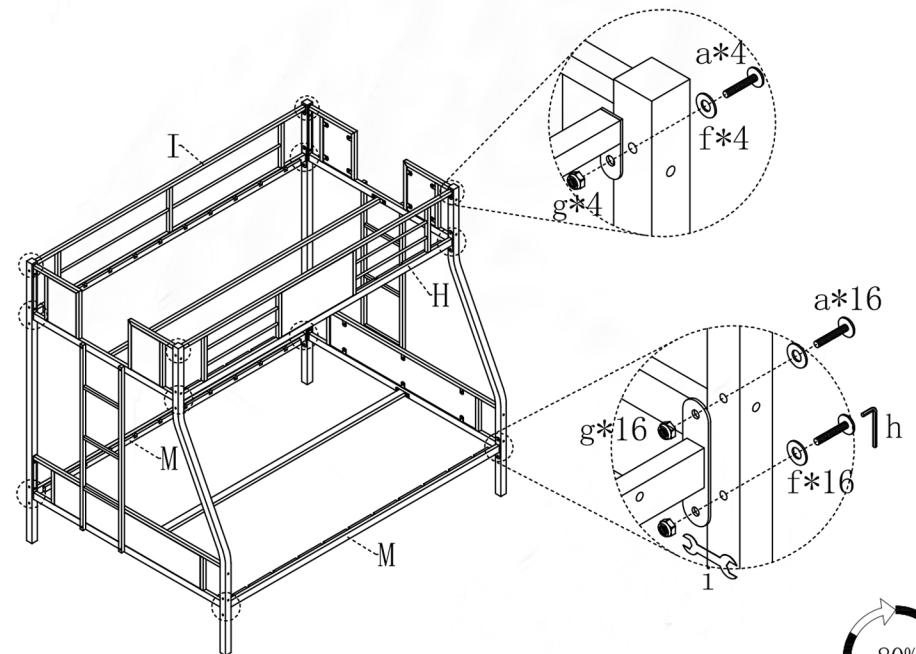
4

NOTE: PLEASE DO NOT TIGHTEN THE BOLTS UNTIL ALL FIXED

5



6

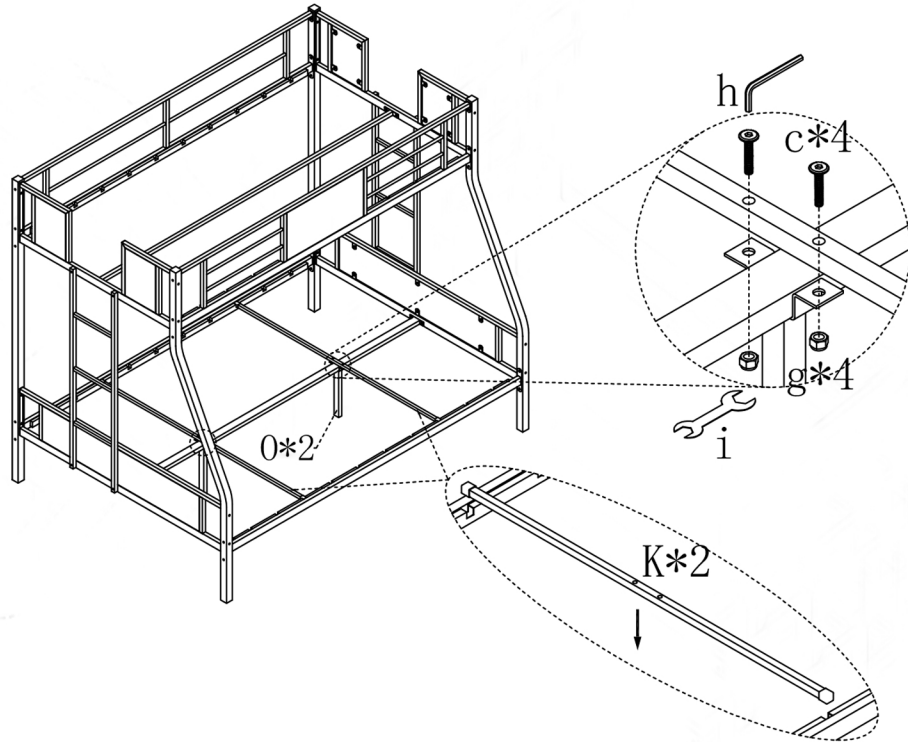


After-sales support email: after-saleservice@outlook.com

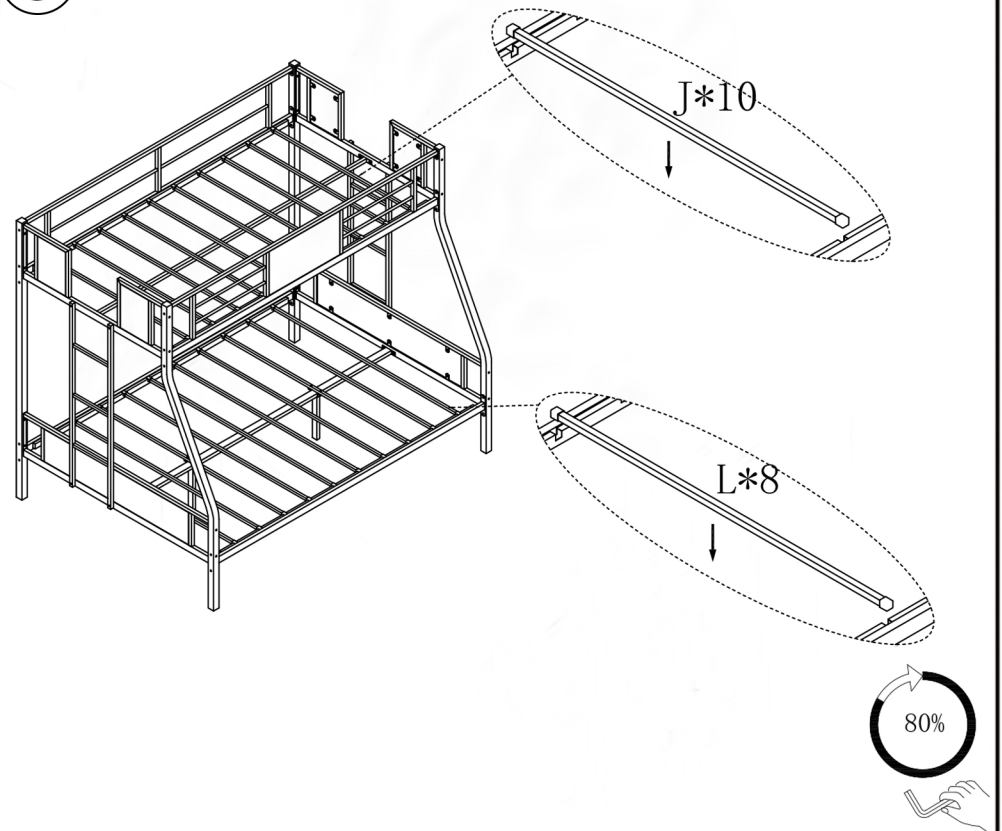
5

NOTE: PLEASE DO NOT TIGHTEN THE BOLTS UNTIL ALL FIXED

7



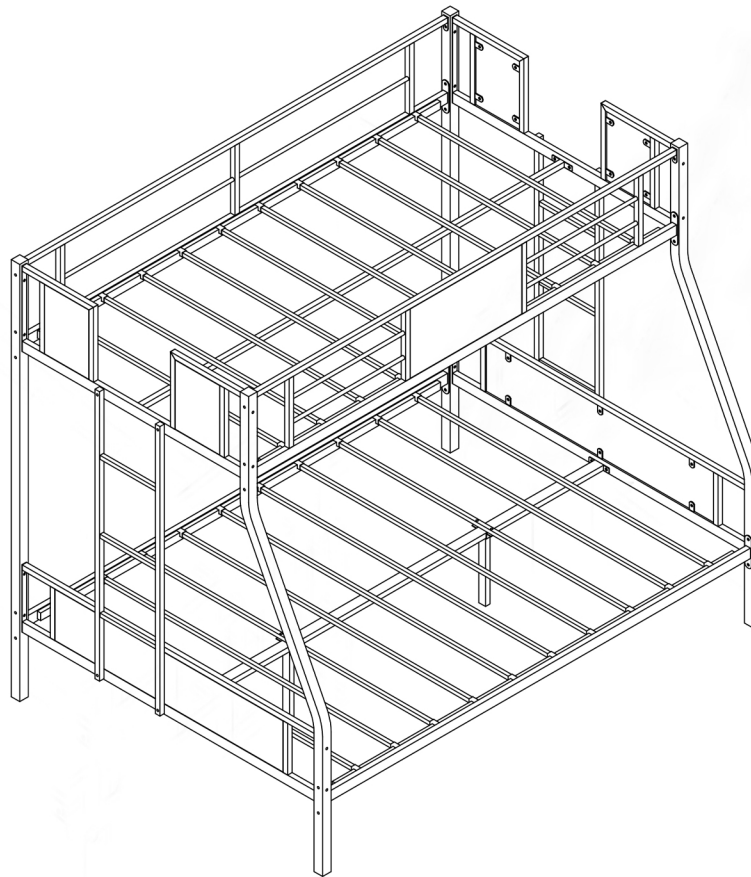
8



6

NOTE: PLEASE DO NOT TIGHTEN THE BOLTS UNTIL ALL FIXED

9



IMPORTANT:Please completely tighten all the bolts and nuts.

After-sales support email: after-saleservice@outlook.com