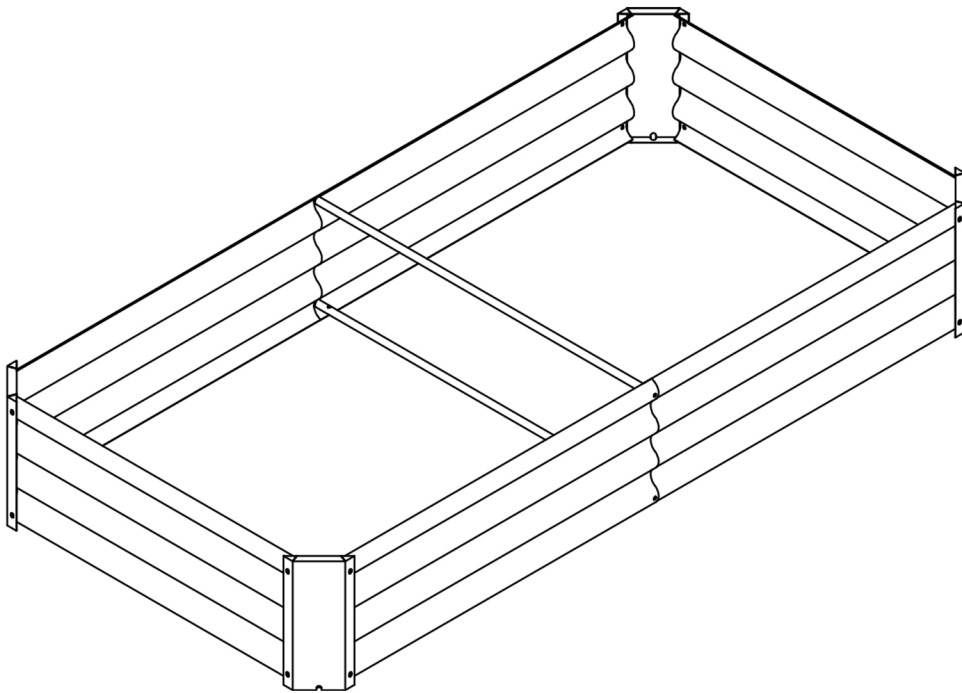


# ASSEMBLY INSTRUCTION

MODEL NUMBER : HW-905C



## WARRANTY:

We stand behind our products & service with confidence! If parts damaged or missing please feel free to contact us for a FREE REPLACEMENT.

We warranty this product to be free from defects in materials. This warranty covers one year from the date of original purchase.

## NOTES:

- The product must be assembled and used in accordance with the provisions of the manual.
- It is recommended that assembly is undertaken by about 2 adults. Please read assembly instructions before assembly and strictly adhere to each step outlined. Estimated assembly time is 30 minutes.

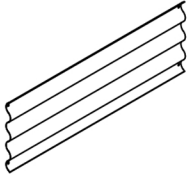
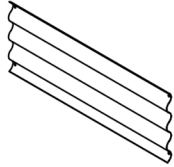
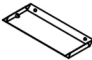
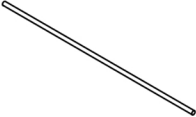
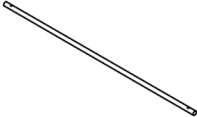





## WARNING:

- **WARNING FOR YOUNG CHILDREN** - This product contains small components, please ensure that they are kept away from small children while assembling.

After-sales support email: [after-saleservice@outlook.com](mailto:after-saleservice@outlook.com)

# 1

# PARTS LIST

A	B	C	D	E	a	b	c	d	e
									
4PCS	2PCS	4PCS	1PC	1PC	1/4*13 20PCS	16PCS	6PCS	1PC	1PC

## IMPORTANT:

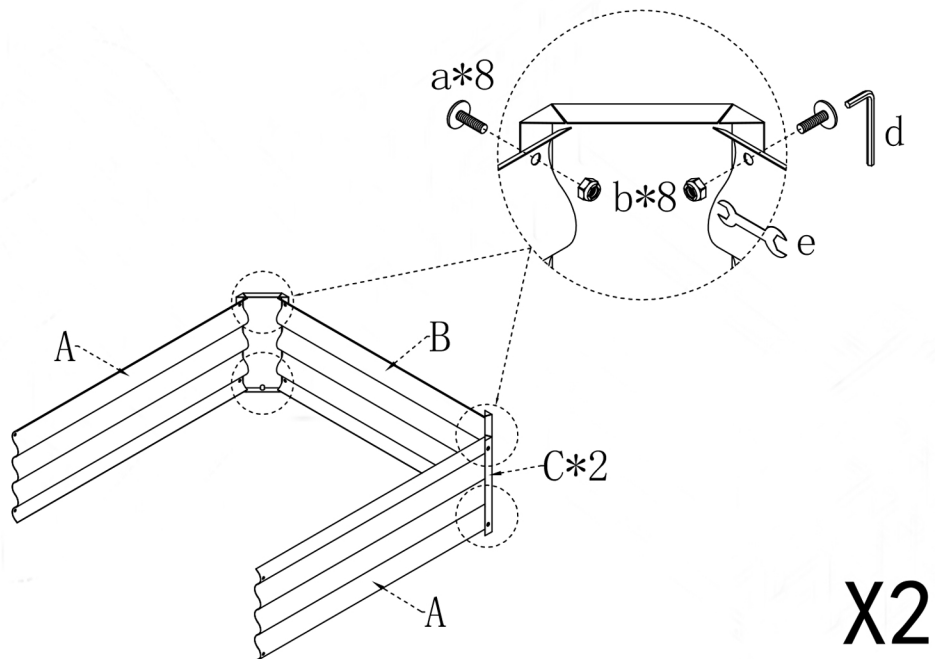
Please check parts list before you start to assembly.If parts damaged or missing.Contact your seller for a FREE REPLACEMENT.Please provide your order number,a brief message about the issue,and your shipping address. Thank you!

After-sales support email: [after-saleservice@outlook.com](mailto:after-saleservice@outlook.com)

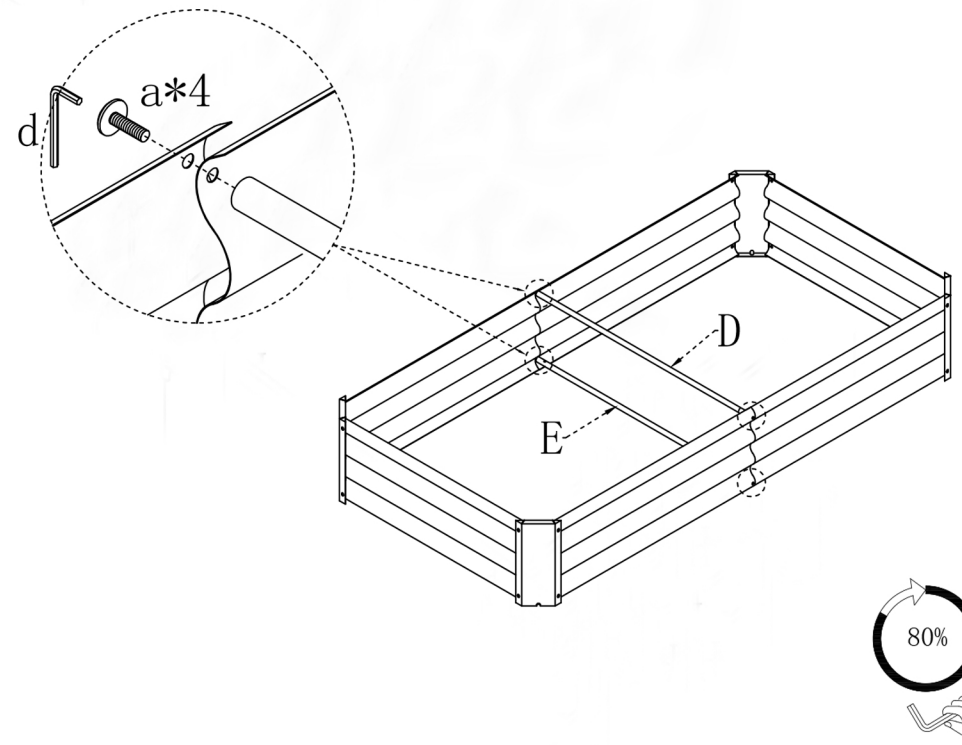
# 2

NOTE: PLEASE DO NOT TIGHTEN THE BOLTS UNTIL ALL FIXED

1



2

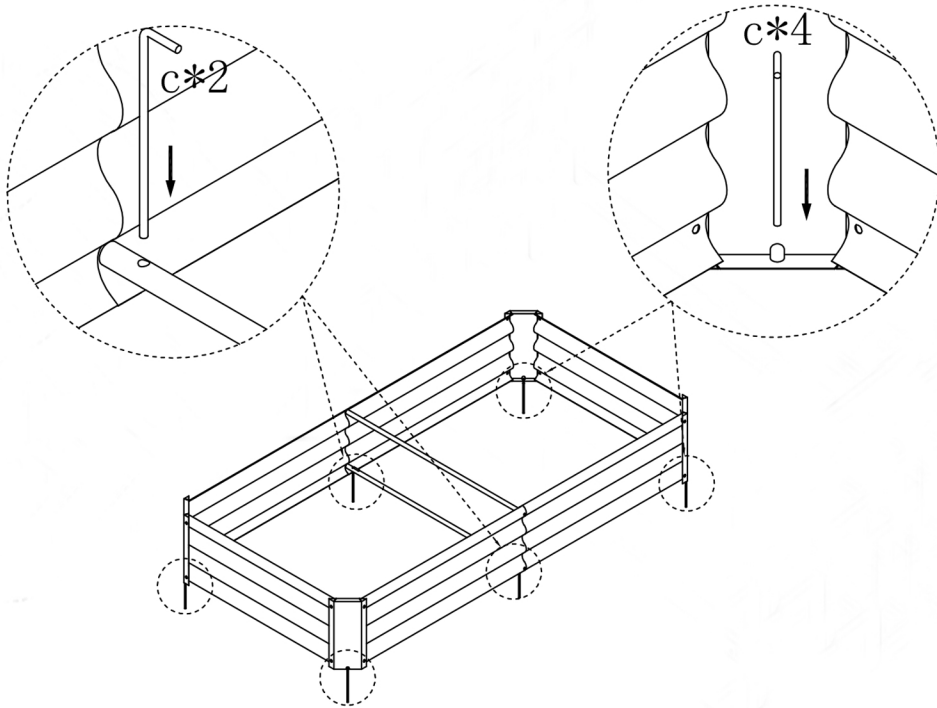


After-sales support email: [after-saleservice@outlook.com](mailto:after-saleservice@outlook.com)

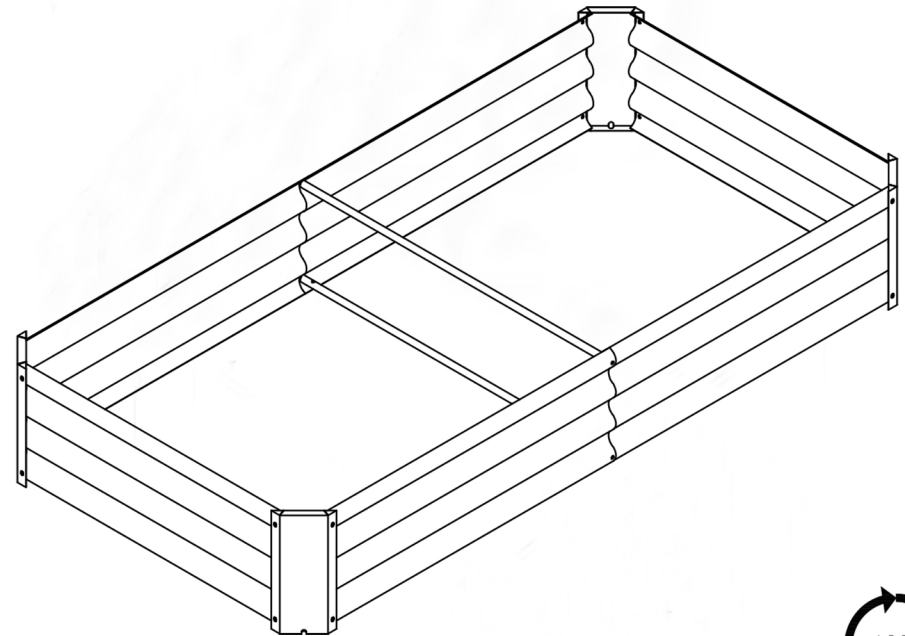
3

NOTE: PLEASE DO NOT TIGHTEN THE BOLTS UNTIL ALL FIXED

3



4



**IMPORTANT: Please completely tighten all the bolts and nuts.**

After-sales support email: **after-saleservice@outlook.com**