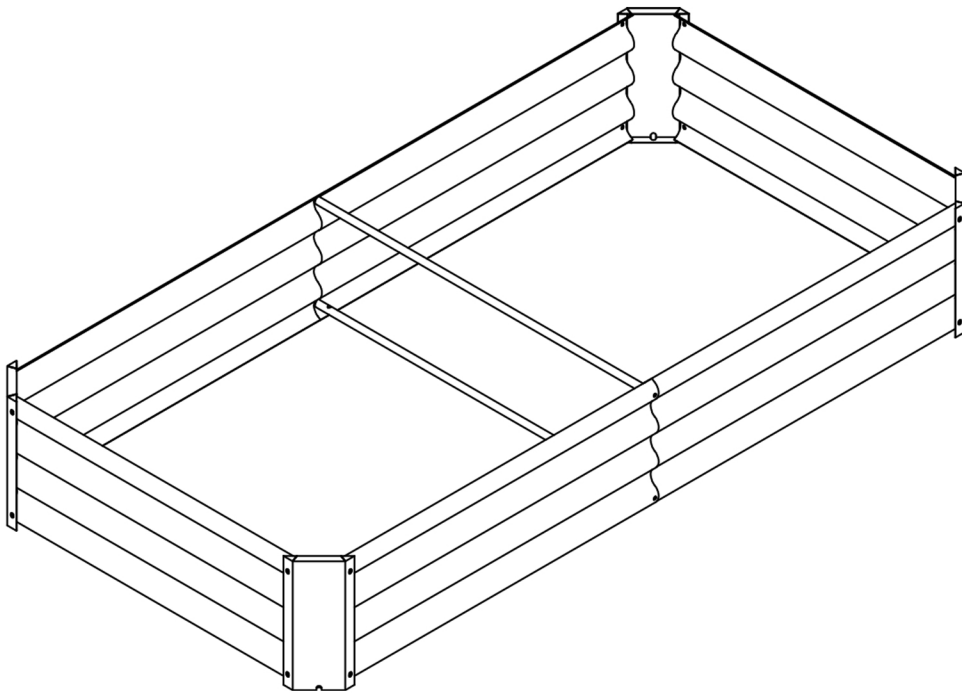


ASSEMBLY INSTRUCTION

MODEL NUMBER : HW-905B



WARRANTY:

We stand behind our products & service with confidence! If parts damaged or missing please feel free to contact us for a FREE REPLACEMENT.

We warranty this product to be free from defects in materials. This warranty covers one year from the date of original purchase.

NOTES:

- The product must be assembled and used in accordance with the provisions of the manual.
- It is recommended that assembly is undertaken by about 2 adults. Please read assembly instructions before assembly and strictly adhere to each step outlined. Estimated assembly time is 30 minutes.

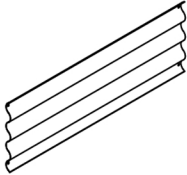
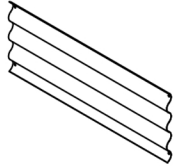
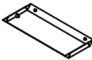
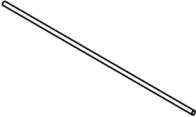
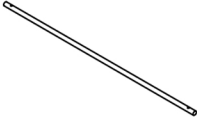





WARNING:

- **WARNING FOR YOUNG CHILDREN** - This product contains small components, please ensure that they are kept away from small children while assembling.

After-sales support email: after-saleservice@outlook.com

1

PARTS LIST

A	B	C	D	E	a	b	c	d	e
									
4PCS	2PCS	4PCS	1PC	1PC	1/4*13 20PCS	16PCS	6PCS	1PC	1PC

IMPORTANT:

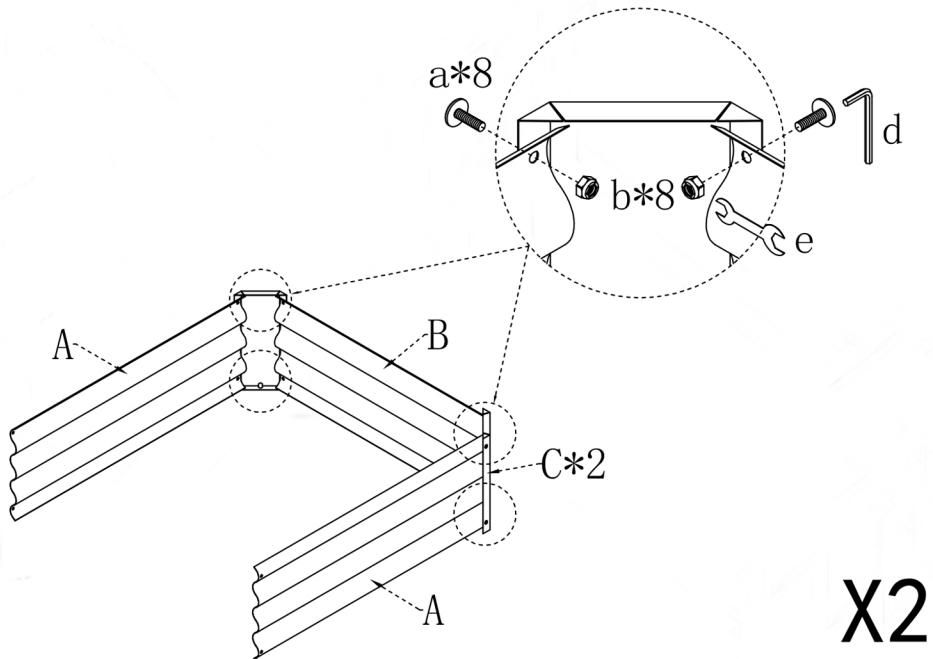
Please check parts list before you start to assembly.If parts damaged or missing.Contact your seller for a FREE REPLACEMENT.Please provide your order number,a brief message about the issue,and your shipping address. Thank you!

After-sales support email: after-saleservice@outlook.com

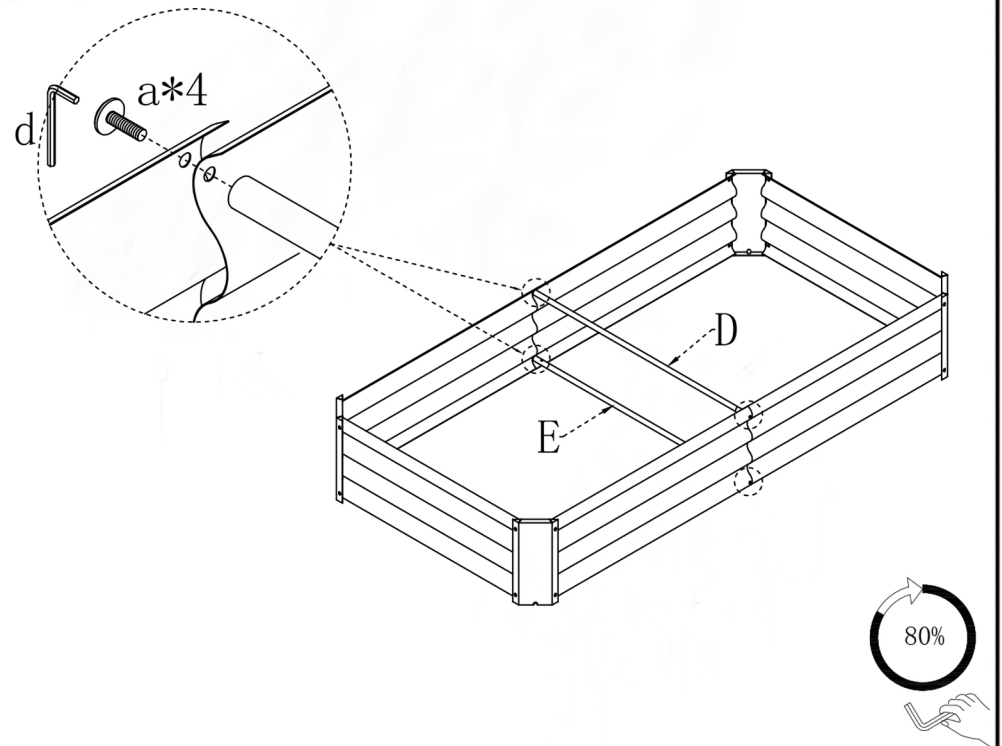
2

NOTE: PLEASE DO NOT TIGHTEN THE BOLTS UNTIL ALL FIXED

①



②

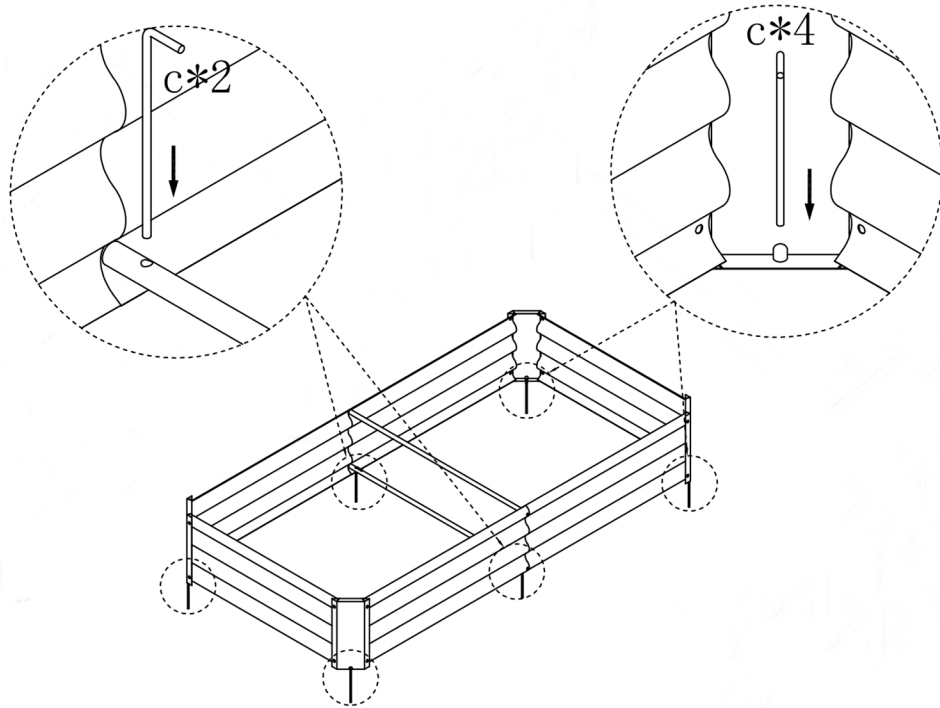


After-sales support email: after-saleservice@outlook.com

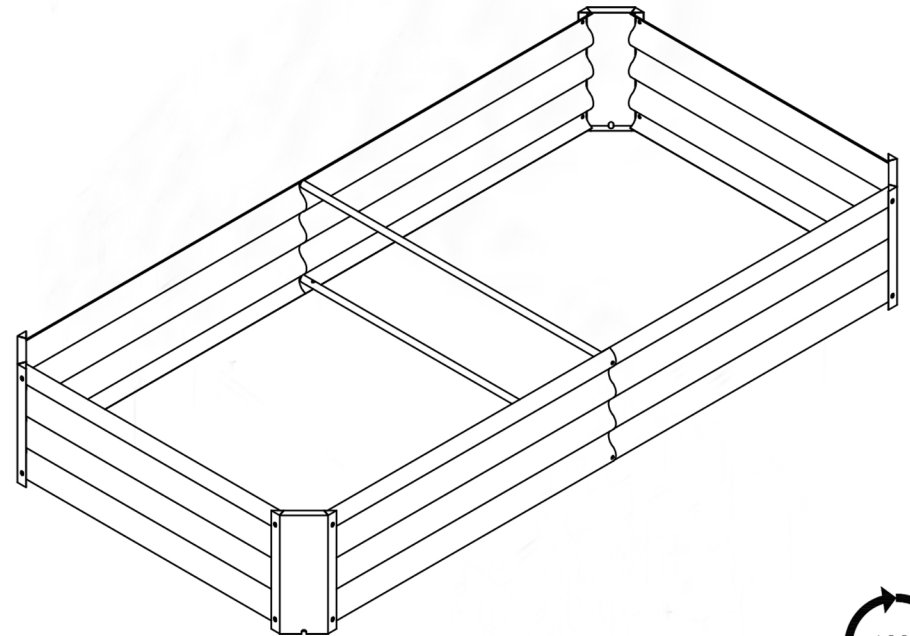
3

NOTE: PLEASE DO NOT TIGHTEN THE BOLTS UNTIL ALL FIXED

3



4



IMPORTANT:Please completely tighten all the bolts and nuts.

After-sales support email: after-saleservice@outlook.com