

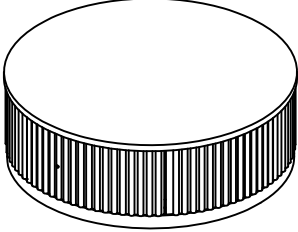
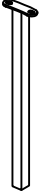
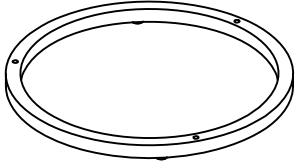
ASSEMBLY INSTRUCTION

Night stand





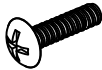
ATTENTION:

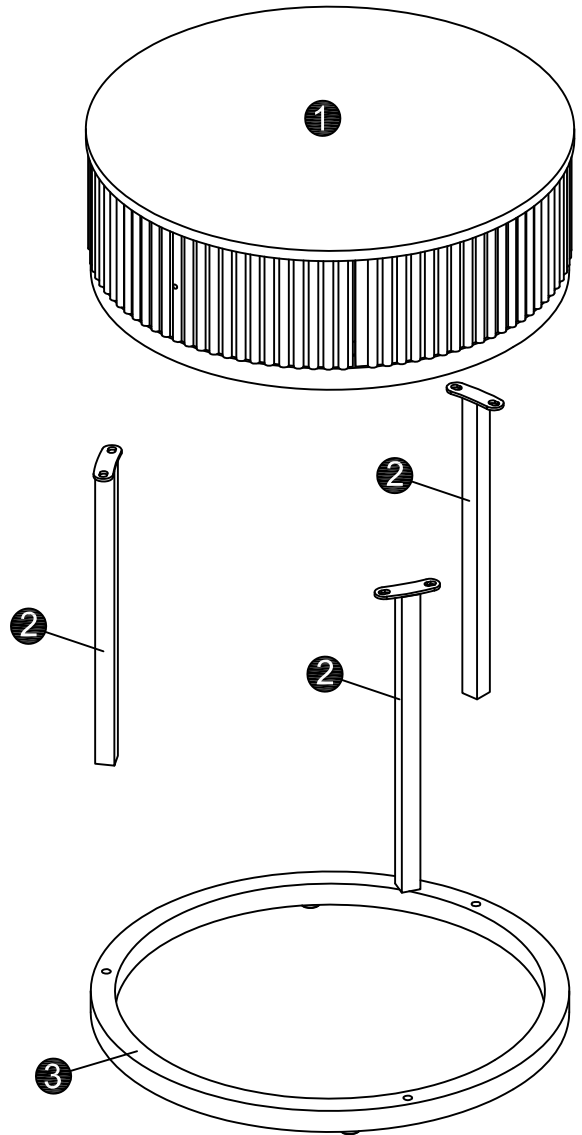
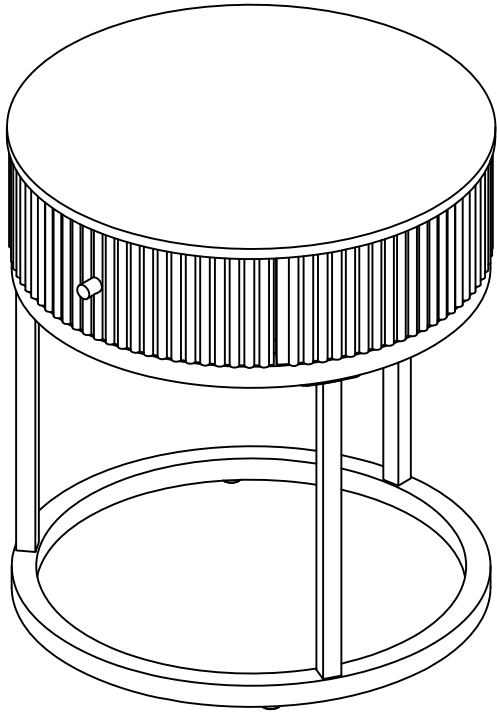
1. Check to ensure all parts and hardware are present.
2. We have provided Extra Hardware of B/C in case of any bolts missing in the boxes.
3. Do not fully tighten all bolts until all parts are in place. Failure to follow these instructions may cause the bolt to misalign during assembly.

Part List

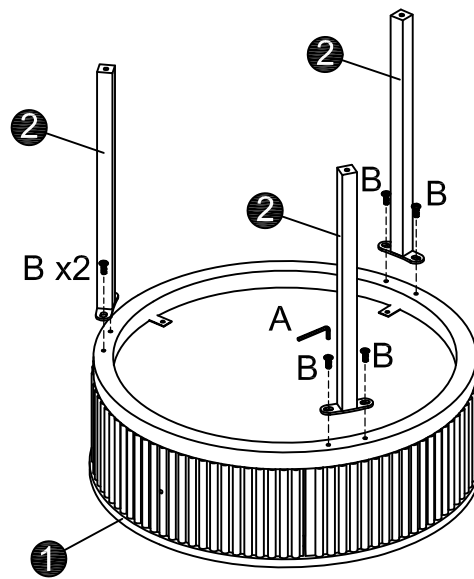
		
① x1PC	② x3PCS	③ x 1PC



Hardware

		
M4 A x1PC	M6*12mm B x6PCS	M6*45mm C x 3PCS
		
D x1PC	M4*23mm E x1PC	

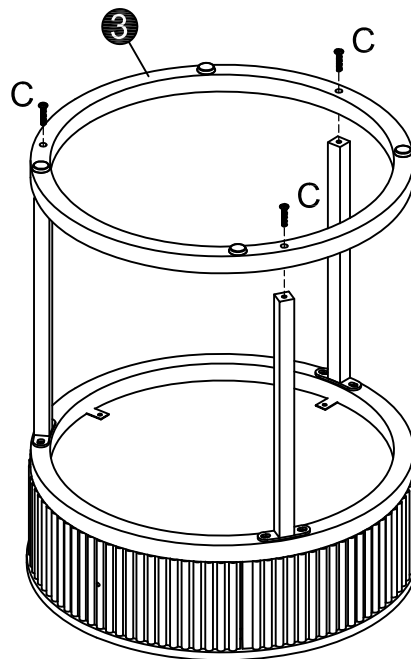



Step 1



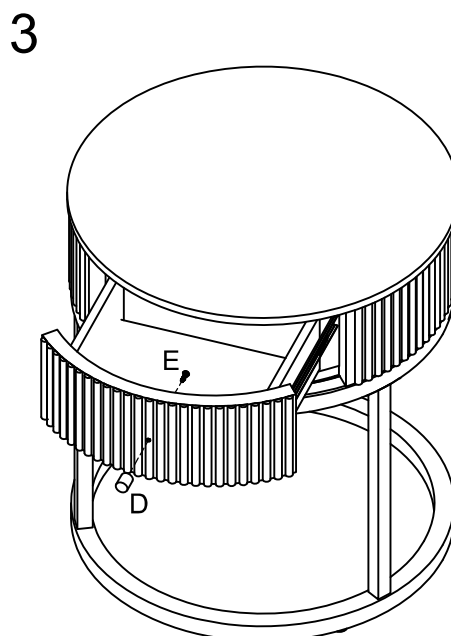
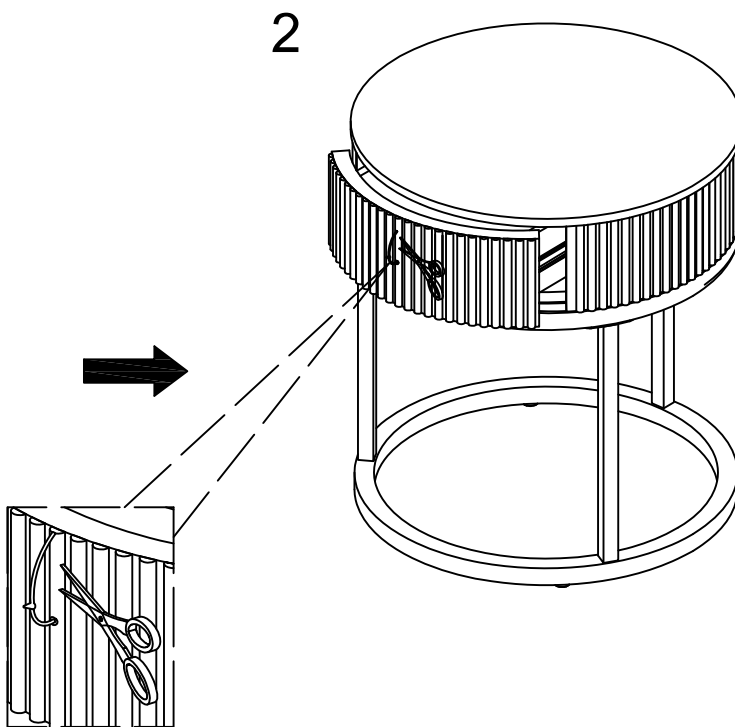
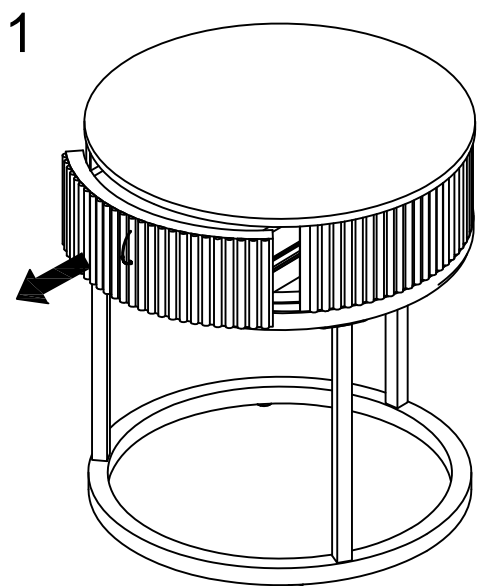
A		1PC
B		6PCS

Step 2



C		3PCS
---	---	------

Step 3



D		1PC
E		1PC