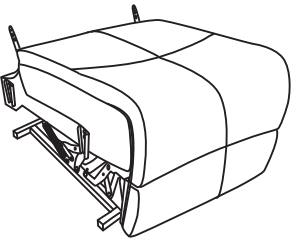
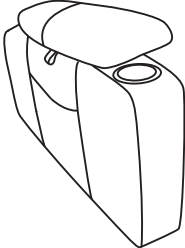
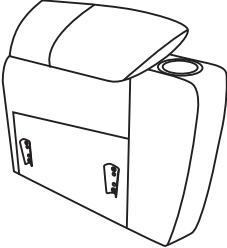
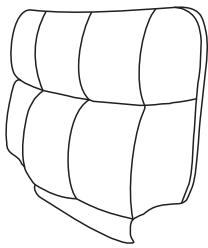
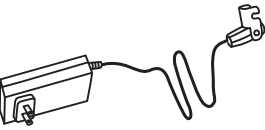

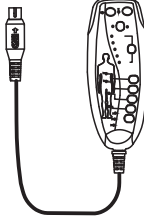
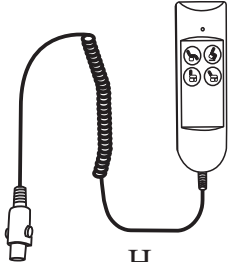
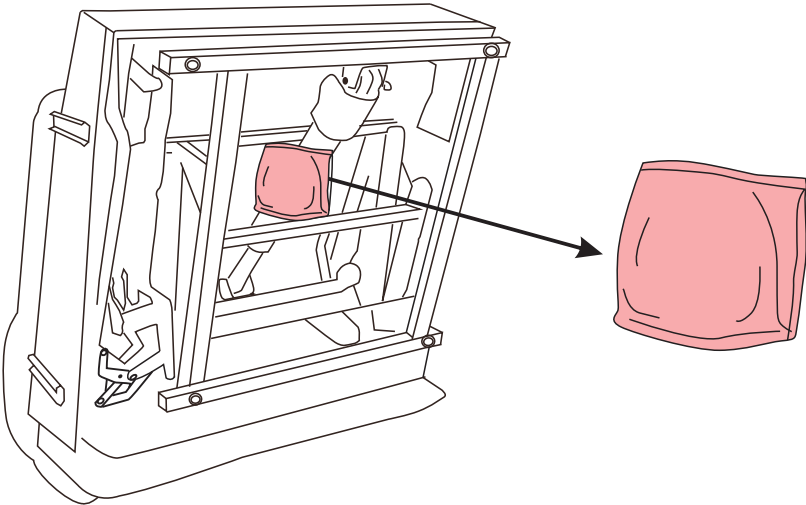


Assembly Instructions

Package Contents

 <p>A 1* Chair Seat</p>	 <p>B 1* Left Armrest</p>	 <p>C 1* Right Armrest</p>	 <p>D 1* Backrest</p>
<p>Box 1</p>		<p>Box 2</p>	
 <p>E 1* Power Source</p>	 <p>F 1* Power Cord</p>	 <p>G 1* Massage Remote</p>	 <p>H 1* Lift/Recline Remote</p>

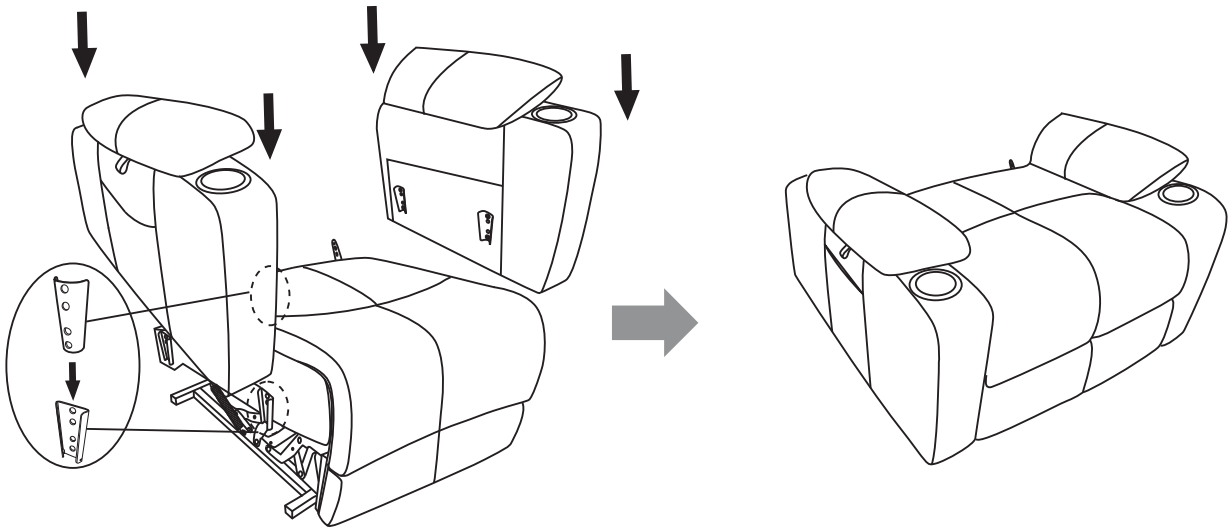
Step 1



Take out a small package. This small package contains accessories E, F, G, and H.
If this small package is lost during transportation, please email us.

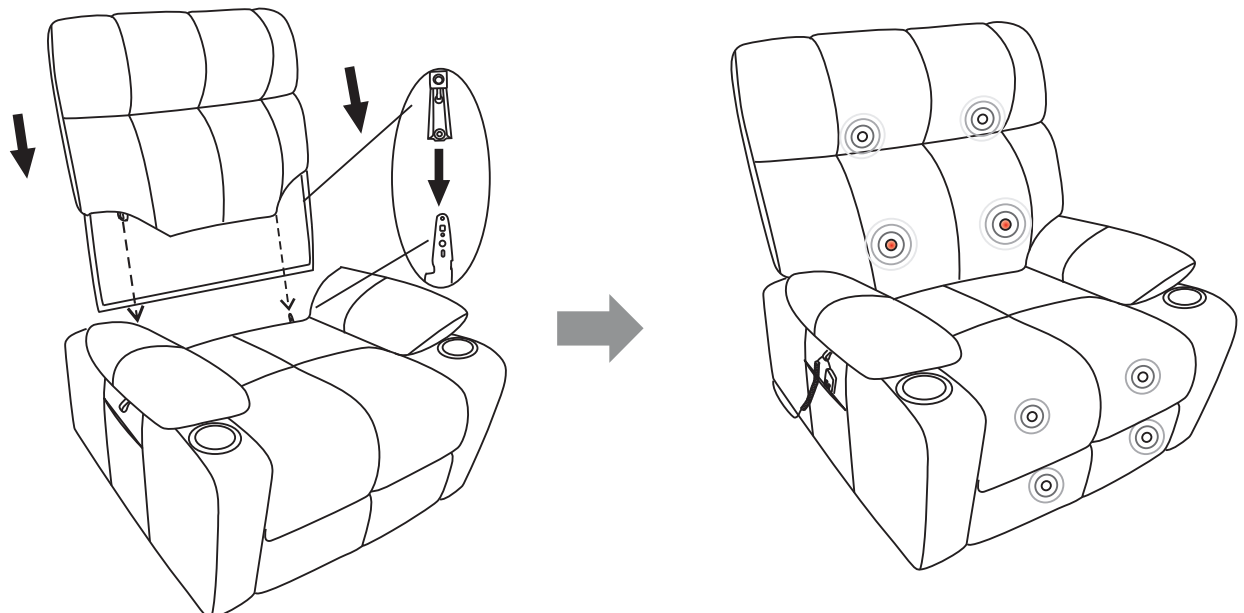
Step 2

Connect the Armrests (B&C) to the chair seat (A) by aligning the metal latches (male brackets) and grooves (female brackets) and sliding the right/left armrest down to the bottom. Push down on the top of the armrest to lock the armrest into position. You will hear a click from each side of the armrest to ensure the back is locked properly.



Step 3

Connect the chair backrest (D) to the chair seat (A) by aligning the metal latches (male brackets) and grooves (female brackets) and sliding the backrest down to the bottom. Push down on the top of the back to lock the back into position. You will hear a click from each side of the backrest to ensure the back is locked properly.



Instructions for Connecting Power Cords

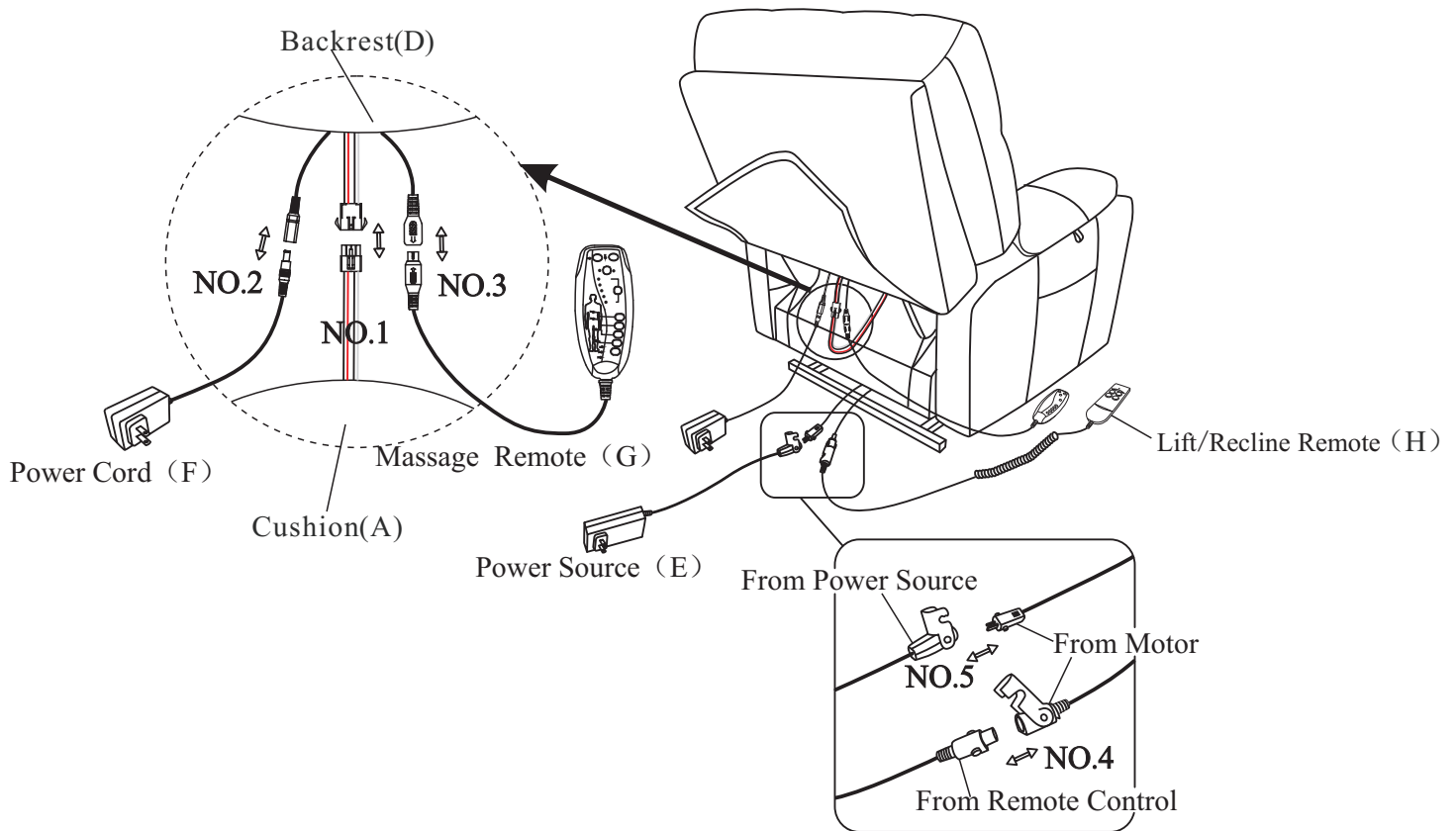
No.1 wire connects the backrest(D) to the chair seat(A).

No.2 wire connects the backrest(D) to the power cord(F).

No.3 wire connects to the backrest(D) to the massage remote(G).

No.4 wire connects the motor's wire from the right armrest to the Lift/Recline Remote(H).

No.5 wire connects the motor's wire to the power source(E).



Note:

1. If the wiring has several colors, please connect according to the colors, such as black to black, white to white, and red to red.
2. Plug the **Power Cord(F)** and **Power Source(E)** into the outlet to get the recliner working.
3. Please distinguish between the massage remote and the Lift/Recline Remote. The massage remote control is connected to the chair backrest, while the Lift/Recline Remote is connected to the chair seat.