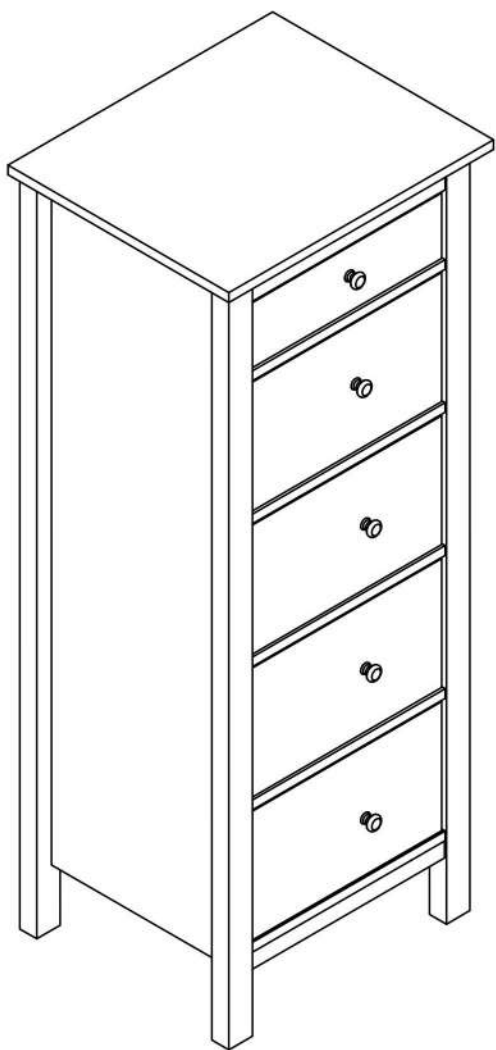
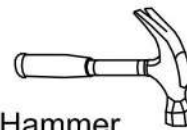


# ASSEMBLY INSTRUCTIONS

---



## TOOLS REQUIRED



Hammer

(Not Included)



Phillips  
Screwdriver

(Not Included)



2 - Persons  
Recommended

## ASSEMBLY RATING



EASY —————> DIFFICULT

The Assembly Rating is a 5-point system showing the level of effort needed to assemble a specific product.

# PRE ASSEMBLY INTRODUCTION

We understand building ready-to-assemble furniture can be a challenging experience for some. To help avoid confusion, we have provided some helpful tips that may speed up the process.



## Teamwork

ALWAYS have at least two people to help with transporting and assembling the product to avoid potential injury and/or damage.



## Suitable Location

Assembling near the area of the intended location is highly recommended.



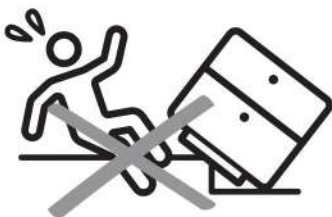
## Sufficient Space

Make sure you have enough space to move around during the assembly.



## Avoid Scratches

Use cardboard, blankets or a carpeted area while assembling furniture to prevent scratches.



## Flat Surface

Make sure the furniture rests on a flat and level surface with each leg evenly touching the floor.

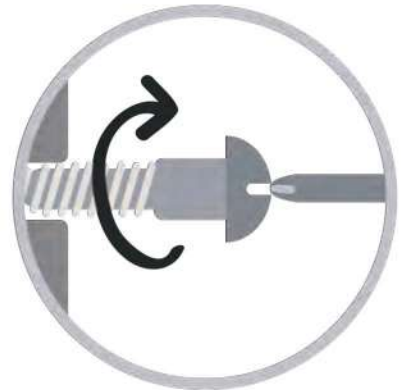
# ASSEMBLY AND CARE ADVICE



**FAILURE TO FOLLOW THE GUIDELINES BELOW MAY RESULT IN INJURY AND/OR PROPERTY DAMAGE.**



Position each part correctly and insert screws or bolts into their respective holes.



Turn clockwise to tighten and only tighten when step is completed or when instructed to do so.



Use the appropriate hand tools or power tools for assembly. Select steps, such as tightening screws and/or bolts, may require hand tools to avoid causing damage during assembly.



Save the instructions and store any supplied tools for later maintenance.



After two weeks, check and tighten any loose hardware and repeat again every six months thereafter.

**IT IS THE USER'S RESPONSIBILITY TO MAINTAIN THE FURNITURE. THE HARDWARE MAY LOOSEN OVER TIME AND MAY CAUSE THE FURNITURE TO BE WOBBLY AND UNABLE TO SUPPORT ITS INTENDED WEIGHT CAPACITY. THIS MAY LEAD TO COLLAPSE AND MAY CAUSE SERIOUS INJURY.**

# CAM LOCK FASTENER ASSEMBLY INSTRUCTIONS

## Note :

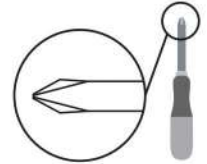
Every cam lock bolt must have a cam lock connector in order to fasten the parts together.



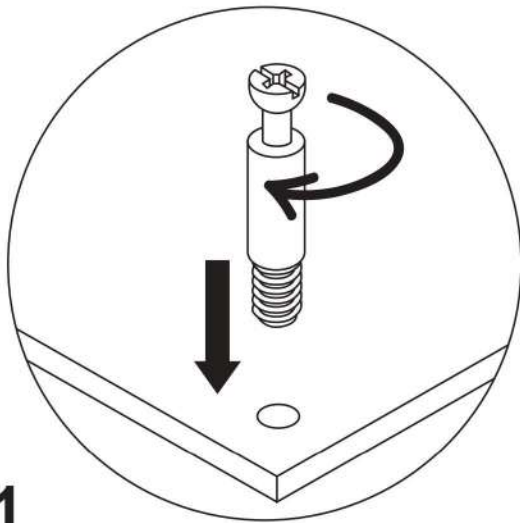
cam bolt



cam lock

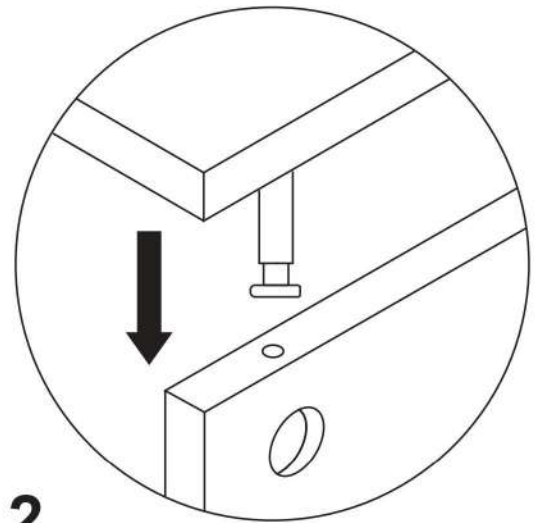


screwdriver



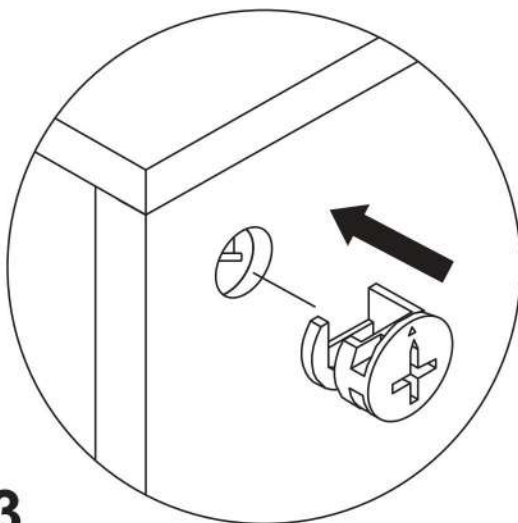
**1**

Screw the cam bolt into panel.



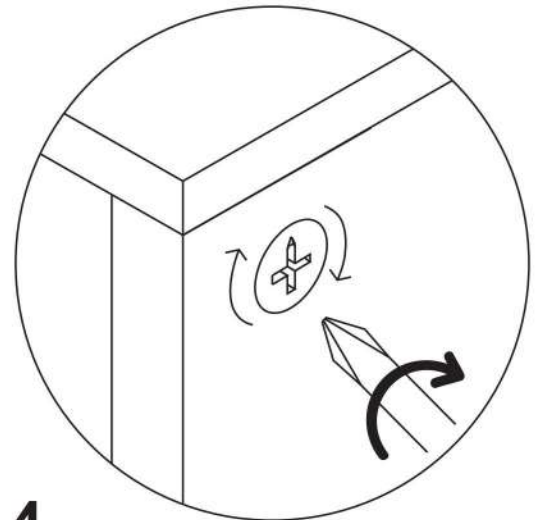
**2**

Insert the cam bolt into the bolt hole of joint panel.



**3**

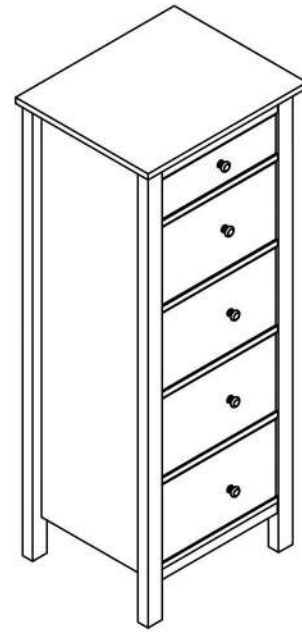
Align the cam lock with its side opening (or arrow) pointing to cam bolt.



**4**

Turn the cam lock clockwise gently until it will not turn any more.

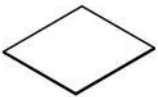
# STORAGE CABINET



- Please keep instructions for future reference.
- Check the quantity and irregularity of parts and hardware before you start.

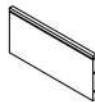
## PARTS

#1 5pcs



Drawer A Base

#2 1pc



Drawer A Rear

#3 1pc



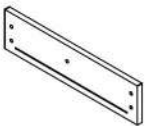
Drawer A Right Side

#4 1pc



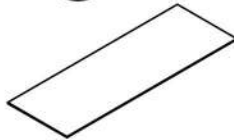
Drawer A Left Side

#5 1pc



Drawer A Front

#6 1pc



Back Cover

#7 4pcs



Drawer B Rear

#8 4pcs



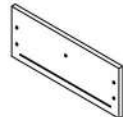
Drawer B Right Side

#9 4pcs



Drawer B Left Side

#10 4pcs



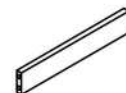
Drawer B Front

#11 1pc



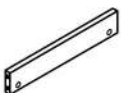
Panel A

#12 3pcs



Panel B

#13 1pc



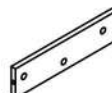
Panel C

#14 1pc



Panel D

#15 1pc



Panel E

#16 1pc



Panel F

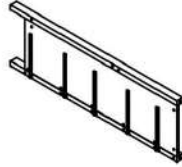
## PARTS

#17 1pc



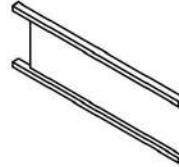
Panel G

#18 1pc



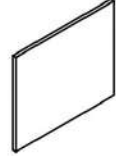
Right Side Panel

#19 1pc



Left Side Panel

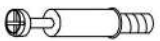
#20 1pc



Top Panel

## HARDWARE

#A 20pcs



Cam Bolt L20

#B 20pcs



Cam Connector M12

#C 20pcs



Screw M4x30

#D 27pcs



Wood Dowel

#E 15pcs



Cam Bolt L29

#F 15pcs



Cam Connector M15

#G 5pcs



Screw / Washer

#H 5pcs



Knob

#I 20pcs



Nail

#J 1pc



Glue

#K 1pc



The Restraint Strap

197 × 5 × 1mm

#L 2pcs



Bracket

#M 1pc



Small Screw  
Ø4x25mm

#N 1pc



Wall Screw  
Ø5x40mm

#O 1pc

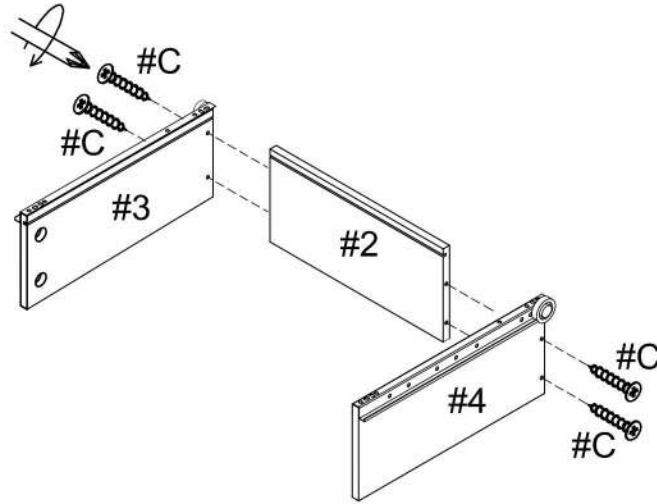


Plastic Plug  
Ø8x40

# ASSEMBLY INSTRUCTIONS

## 1

- Part #2 x1pc
- Part #3 x1pc
- Part #4 x1pc
- Hardware #C x4pcs

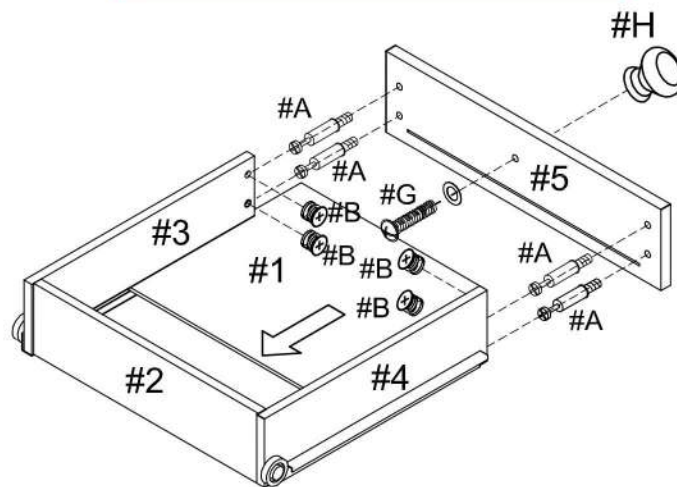


Tip: Place parts on the flat surface to ease alignment and assemble.

## 2

- Part #1 x1pc
- Part #5 x1pc
- Hardware #A x4pcs
- Hardware #B x4pcs
- Hardware #G x1Set
- Hardware #H x1pc

Please refer to page 5 on how to tighten cam locks (#B) onto cam bolts (#A).

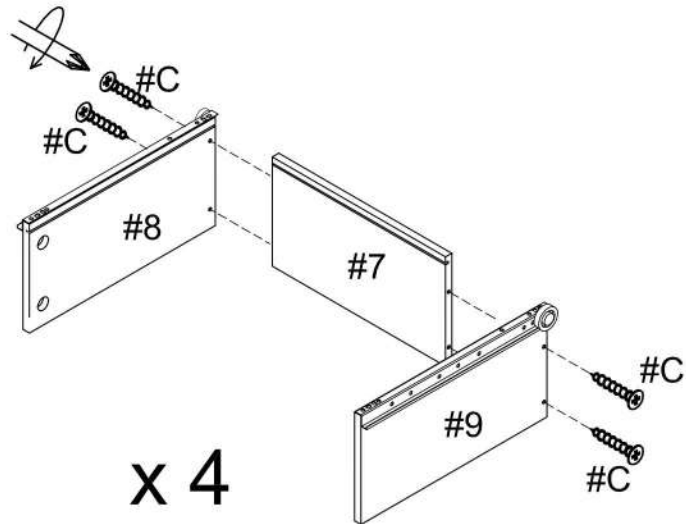


Note: Be aware direction of camlock opening before insertion.

# ASSEMBLY INSTRUCTIONS

## 3

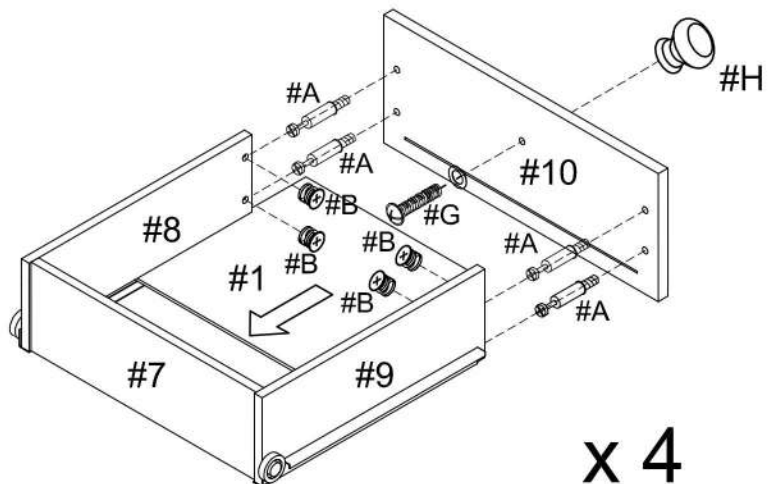
- Part #7 x4pcs
- Part #8 x4pcs
- Part #9 x4pcs
- Hardware #C x16pcs



Tip: Place parts on the flat surface to ease alignment and assemble.

## 4

- Part #1 x1pc
- Part #10 x1pc
- Hardware #A x16pcs
- Hardware #B x16pcs
- Hardware #G x4Sets
- Hardware #H x4pcs



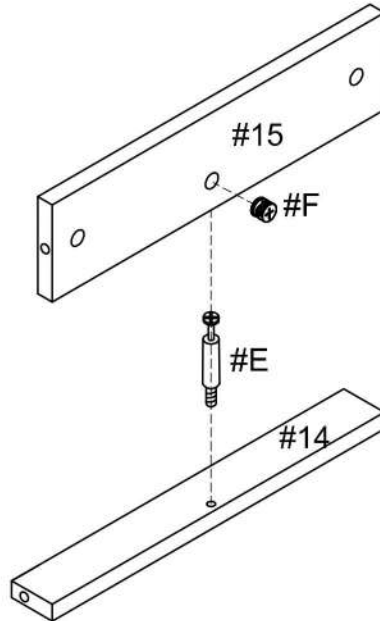
Note: Be aware direction of camlock opening before insertion.



# ASSEMBLY INSTRUCTIONS

## 5

- Part #14 x1pc
- Part #15 x1pc
- Hardware #E x1pc
- Hardware #F x1pc

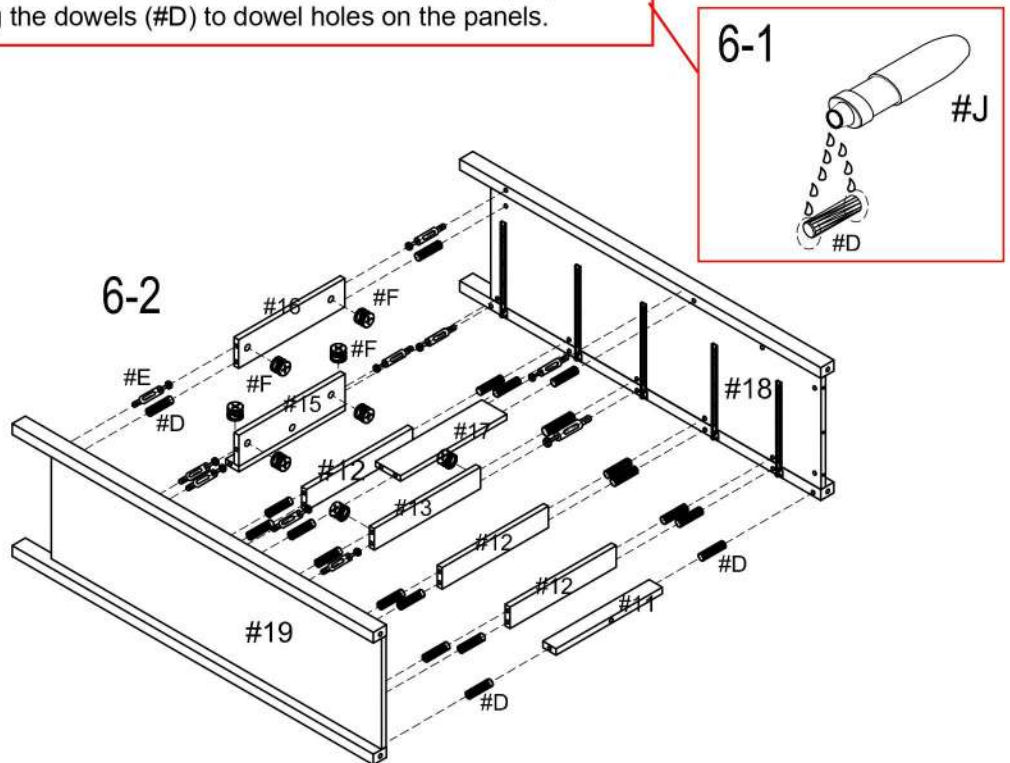


Note: Be aware direction of camlock opening before insertion.

Apply a small dab of glue on the end of the dowels (#D) before inserting the dowels (#D) to dowel holes on the panels.

## 6

- Part #11 x1pc
- Part #12 x3pcs
- Part #13 x1pc
- Part #16 x1pc
- Part #17 x1pc
- Part #18 x1pc
- Part #19 x1pc
- Hardware #D x20pcs
- Hardware #E x10pcs
- Hardware #F x10pcs
- Hardware #J x1pc



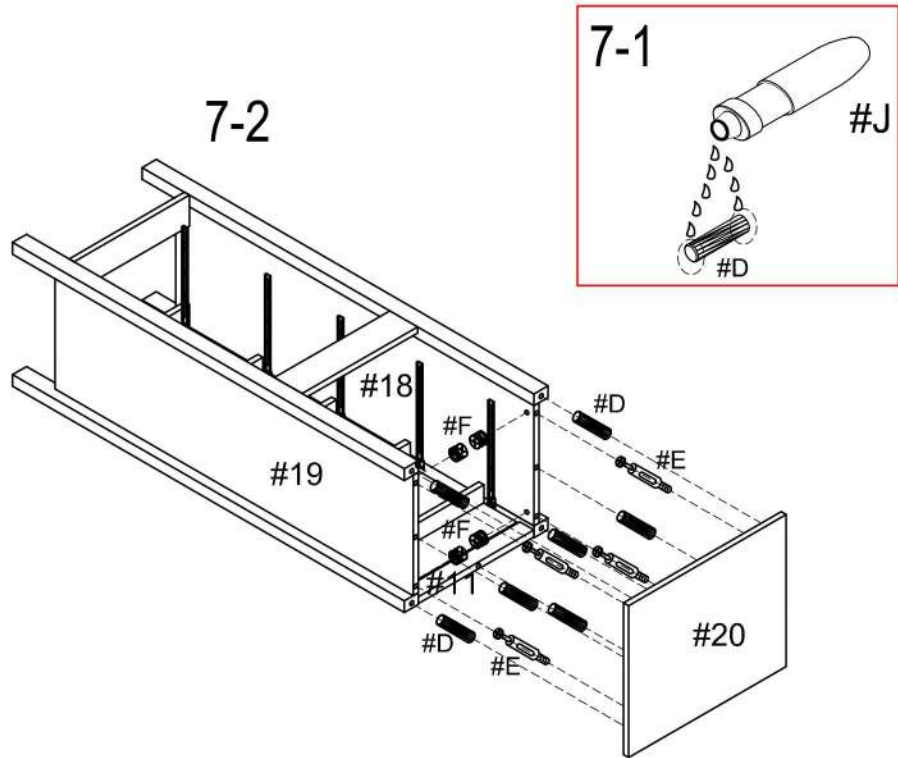
Note: Be aware direction of camlock opening before insertion.

Tip: Place parts on the flat surface to ease alignment and assemble.

# ASSEMBLY INSTRUCTIONS

## 7

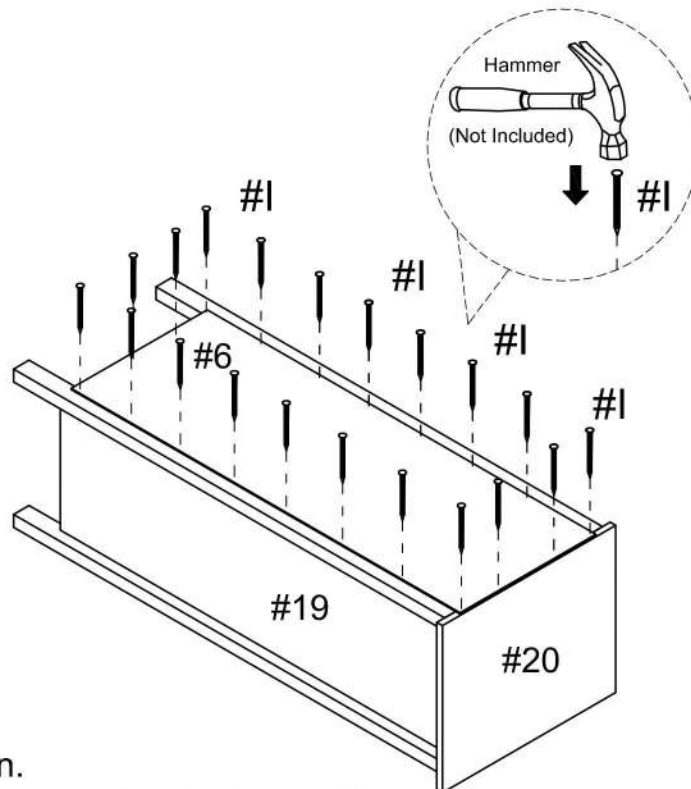
- Part #20 × 1pc
- Hardware #D × 7pcs
- Hardware #E × 4pcs
- Hardware #F × 4pcs
- Hardware #J × 1pc



Note: Be aware direction of camlock opening before insertion.

## 8

- Part #6 × 1pc
- Hardware #I × 20pcs

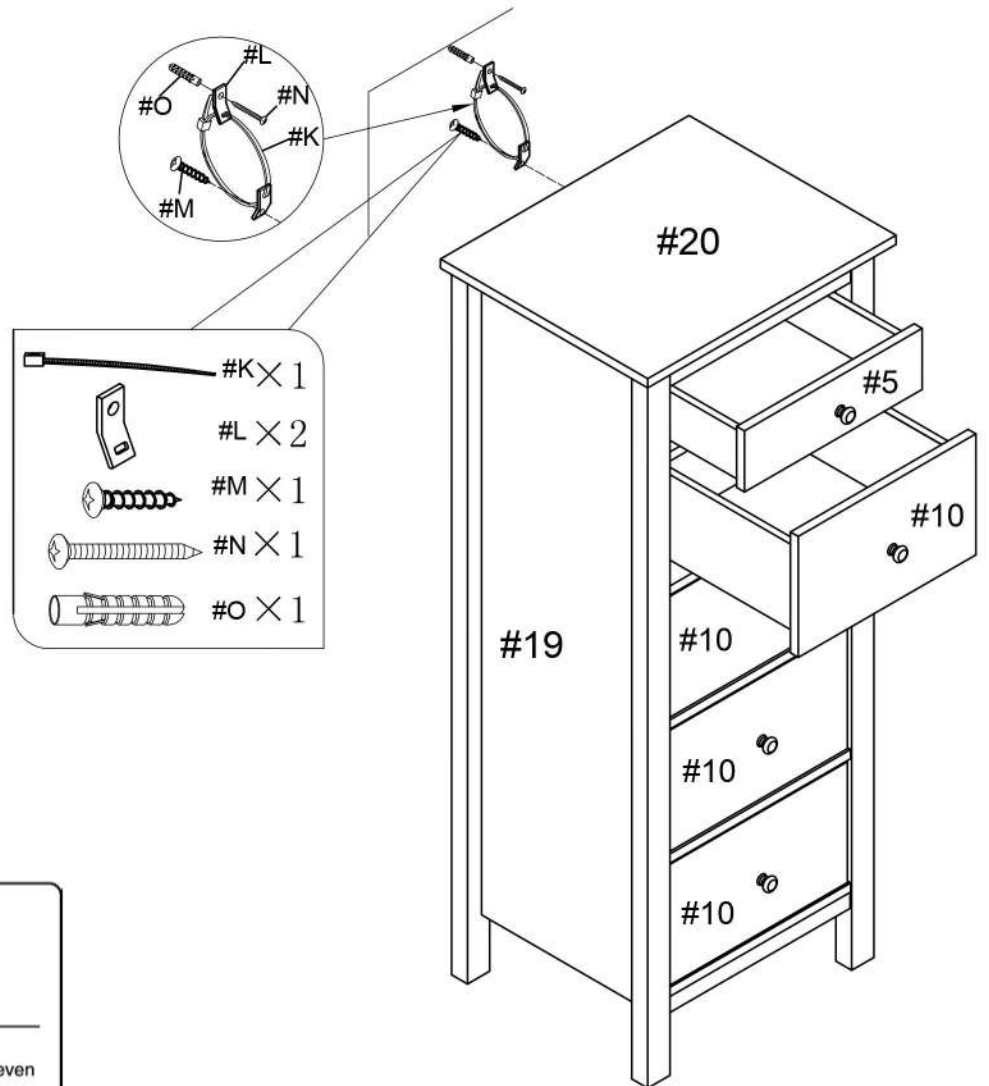


Tip: Always wear eye protection.  
Place the unit on the flat cushioned surface before nailing.

# ASSEMBLY INSTRUCTIONS

## 9

- Hardware **#K** x 1pc
- Hardware **#L** x 2pcs
- Hardware **#M** x 1pc
- Hardware **#N** x 1pc
- Hardware **#O** x 1pc



### ASSEMBLY COMPLETED



Please ensure the furniture rests on an even and flat surface. If the product wobbles or feels loose, double-check all bolts and/or screws are properly tightened and secured.



#### Keep this handy!

Please retain this instruction manual and any order-related information for future reference.



#### Lift, don't drag!

To avoid damage to product please always LIFT the product when transporting or adjusting the placement.

- 1) Align product to the wall, then mark the wall on where the wall mount is going to be placed.
- 2) Use a drill to create a hole onto the marked wall that is no bigger than the plastic insert.
- 3) Insert in plastic inserts to the hole in the wall, then secure bracket to plastic insert by using screw.
- 4) Secure bracket onto product, then zip tie to the brackets of the product and wall.

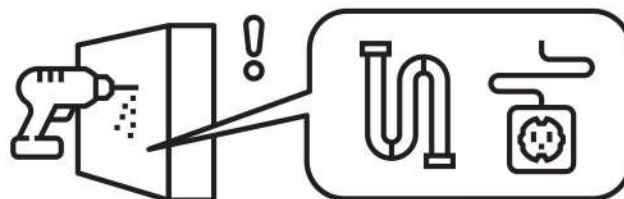
# ASSEMBLY INSTRUCTIONS

## Wall Mounting and Fixing



### EXPANSION WALL ANCHOR

Our provided expansion wall anchors are only suitable for masonry walls, such as drywall, plaster or concrete, and are best for holding lightweight items or for anti-tip prevention. If you are unsure of the correct wall anchor to use with the product, please request professional guidance. Liability for product damage or failure due to using the incorrect anchors will fall on the installer.

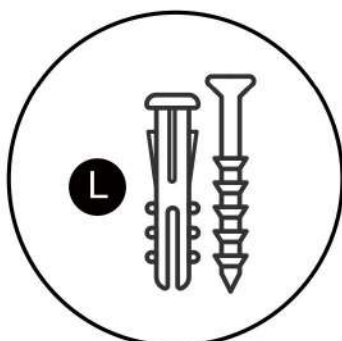


### CHECK BEFORE PROCEEDING

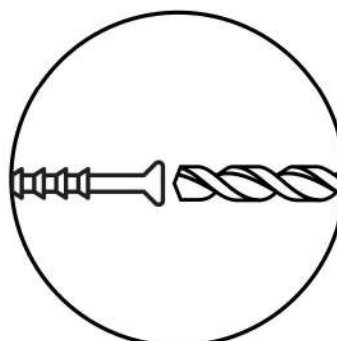
Prior to drilling or hammering, please check for wires or pipes. We recommend using a stud finder to locate a stud, which will offer more appropriate resistance and hold more weight.

## QUICK TIPS

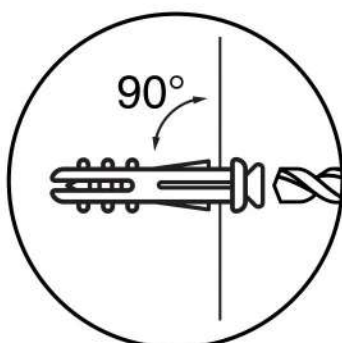
1. If unsure of the proper size, always choose a larger screw and wall anchor.



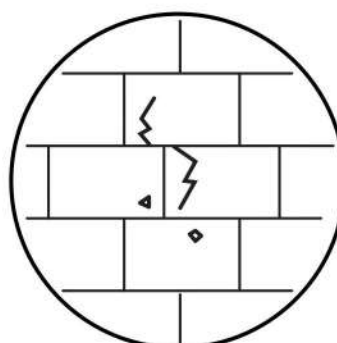
2. Match the drill bit to the wall anchor and hole size.



3. Only drill horizontally. Do not force the drill or enlarge the hole for the wall anchor.



4. Take extra care when drilling into high walls or ceramic tiles. Wall anchors should be a tight fit for the hole. Never use wall anchors in ceilings.



### MAINTENANCE



We recommend a yearly check to see if the wall anchor or screw has loosened. If so, please remove the existing wall anchor and screw, and use a new anchor.