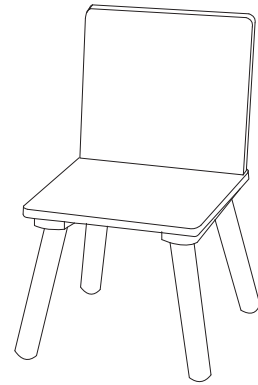
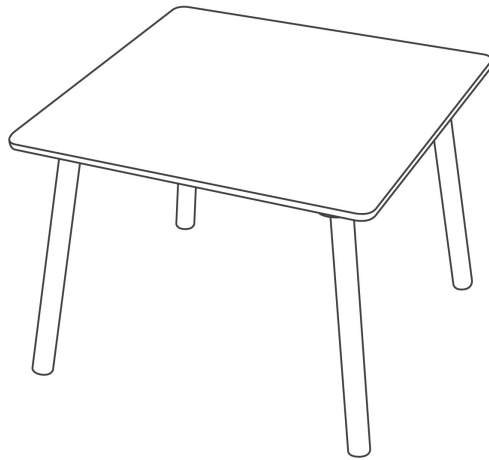
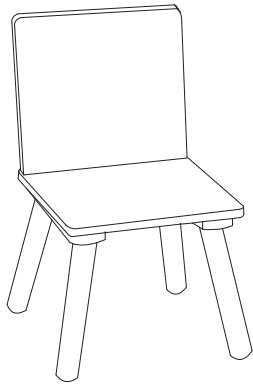


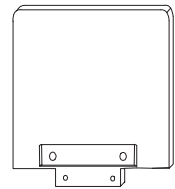
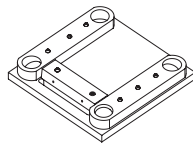
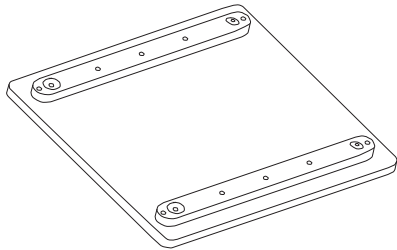
ASSEMBLY INSTRUCTION



AX1PC

BX2PC

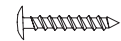
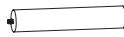
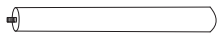
CX2PC



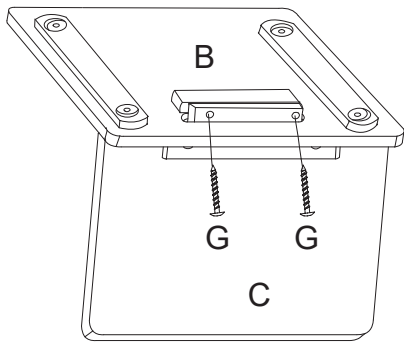
DX4PC

FX8PC

GX4PC

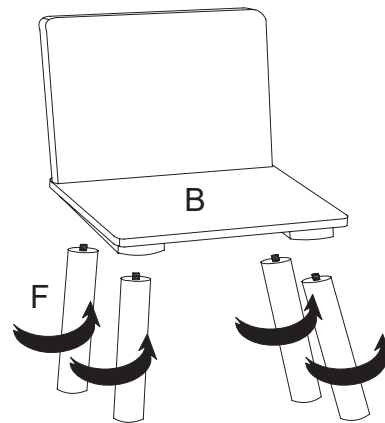


1



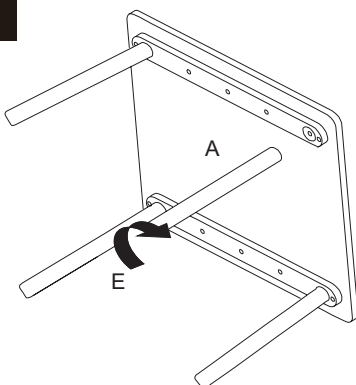
x2

2



x2

3



4

