



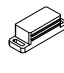







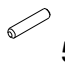





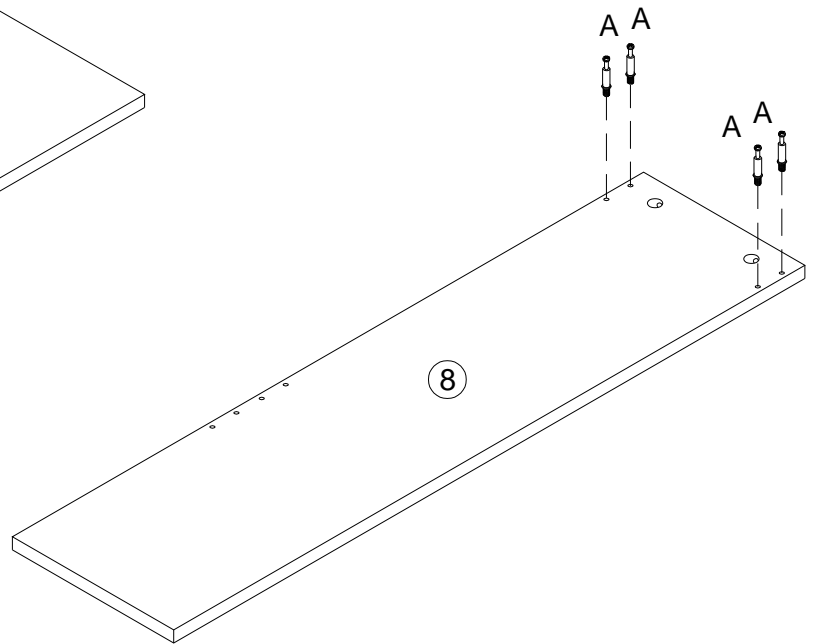
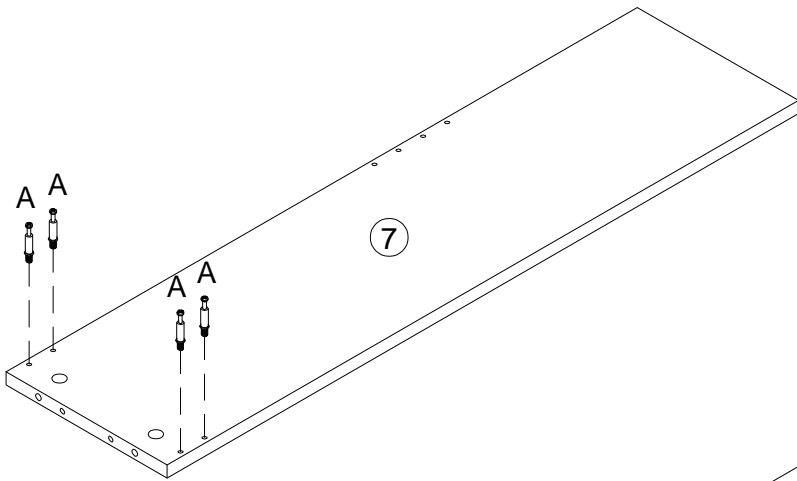
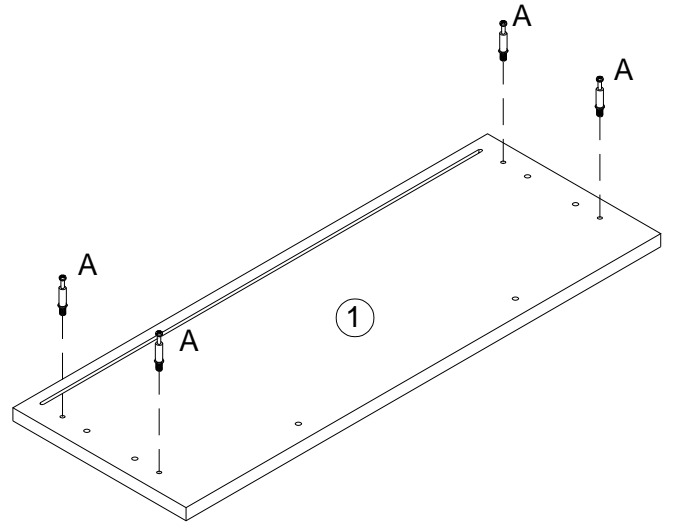
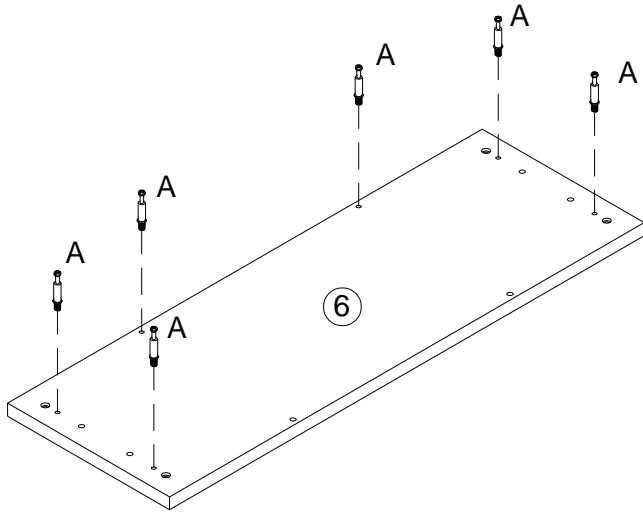
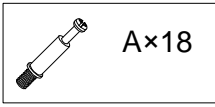
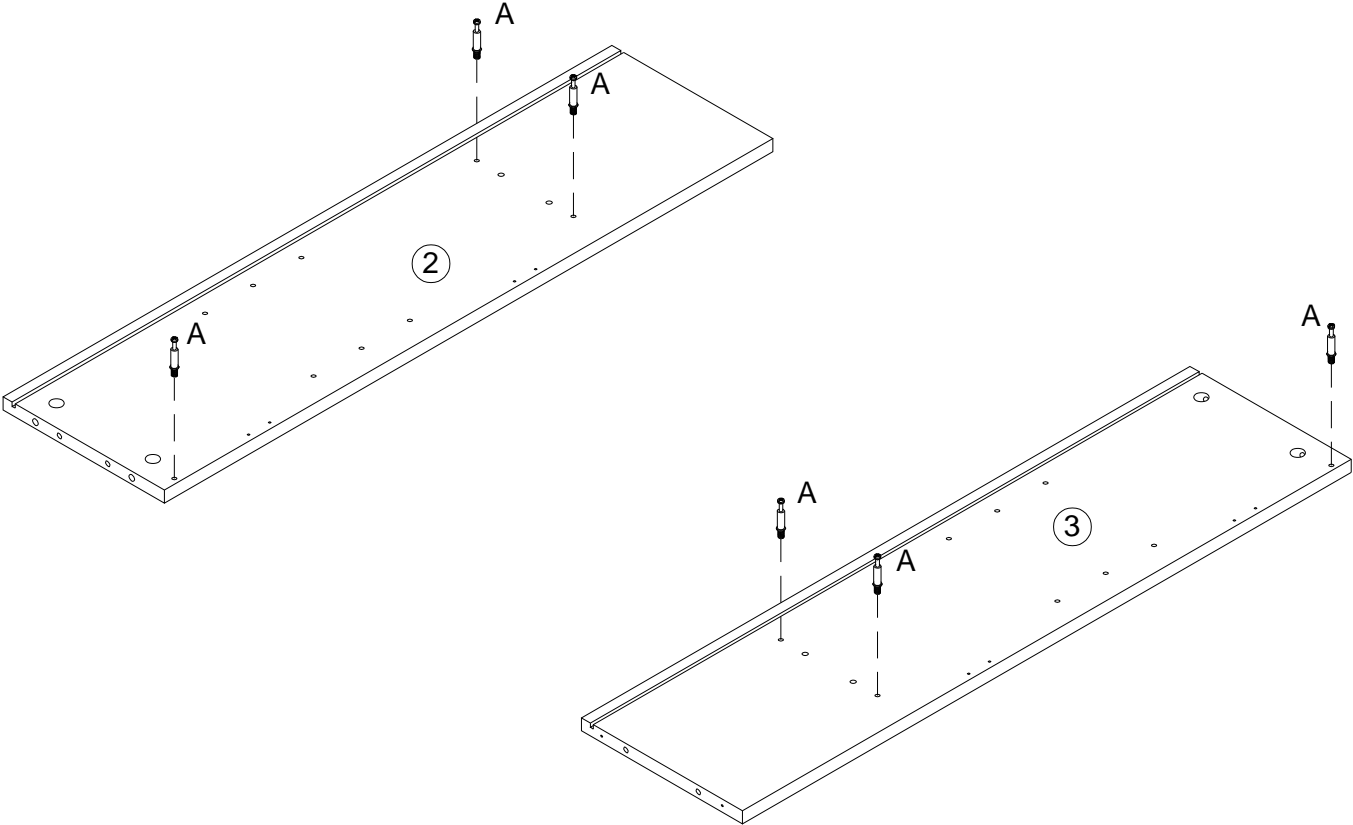
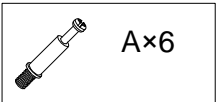
 A×24	 B×24	 C×20 6×30mm	 D×9 4×35mm	 E×2 4×25mm	 F×1	 G×2
 H×14 3×14mm	 I×12	 J×1	 L×1 4×12mm	 M×2	 N×18 3×12mm	 O×4 5×25mm
 P×4	 Q×2	 R×2	 S×1 6×30mm	 T×12		

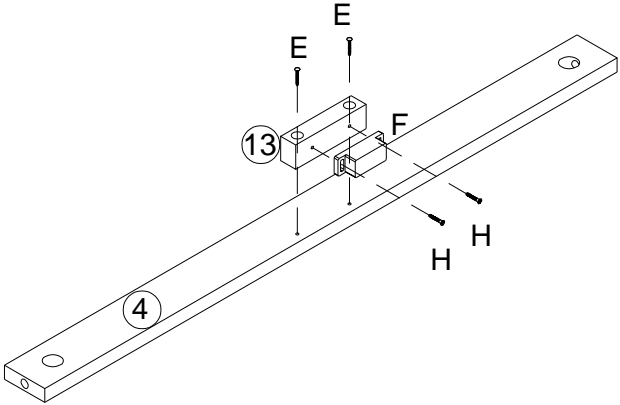
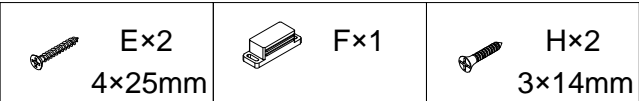
STEP 1








STEP 2

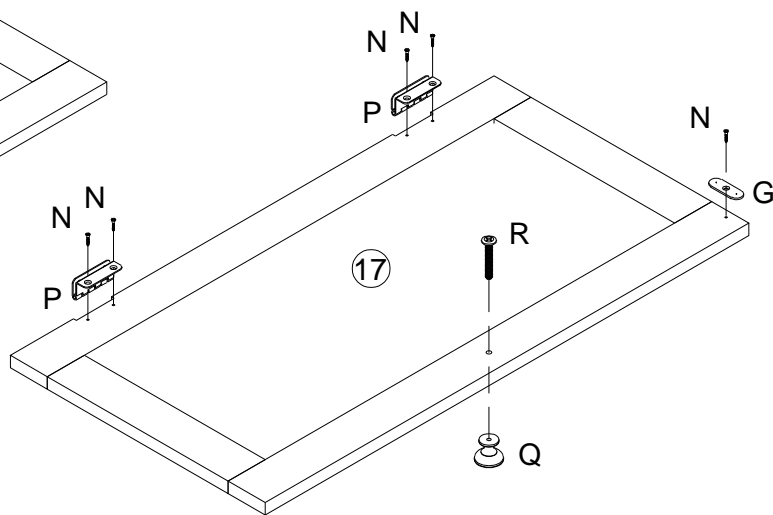
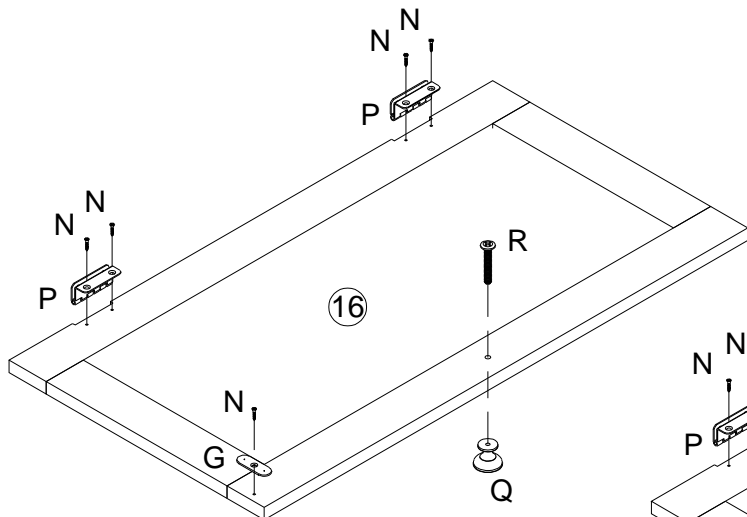


STEP 3



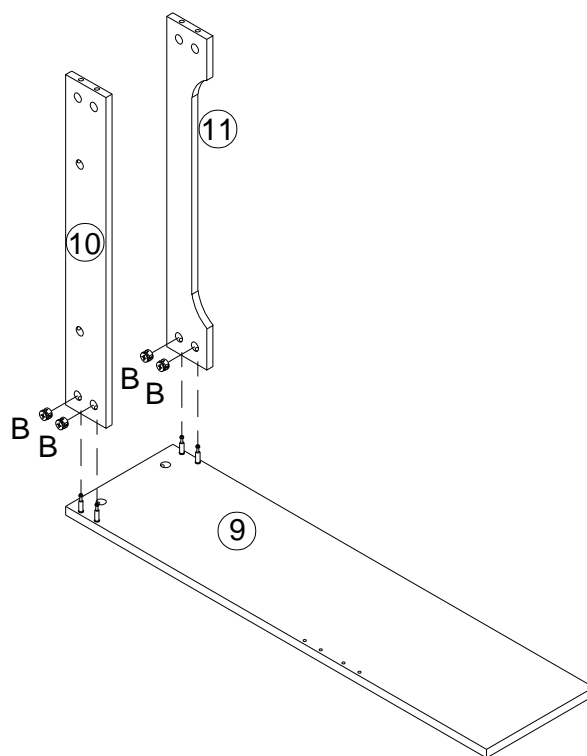
STEP 4

	G×2		N×10 3×12mm		P×4		Q×2		R×2
---	-----	---	----------------	---	-----	--	-----	---	-----

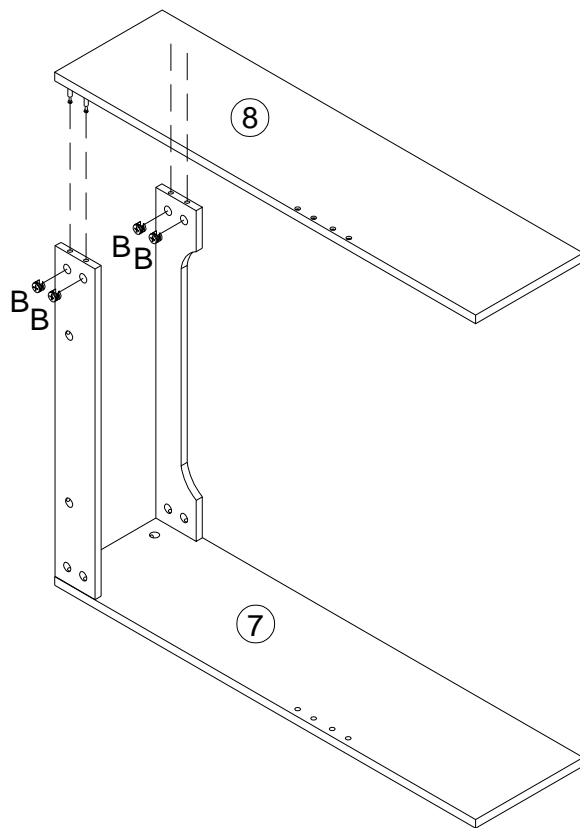
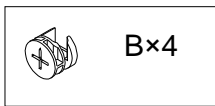


STEP 5

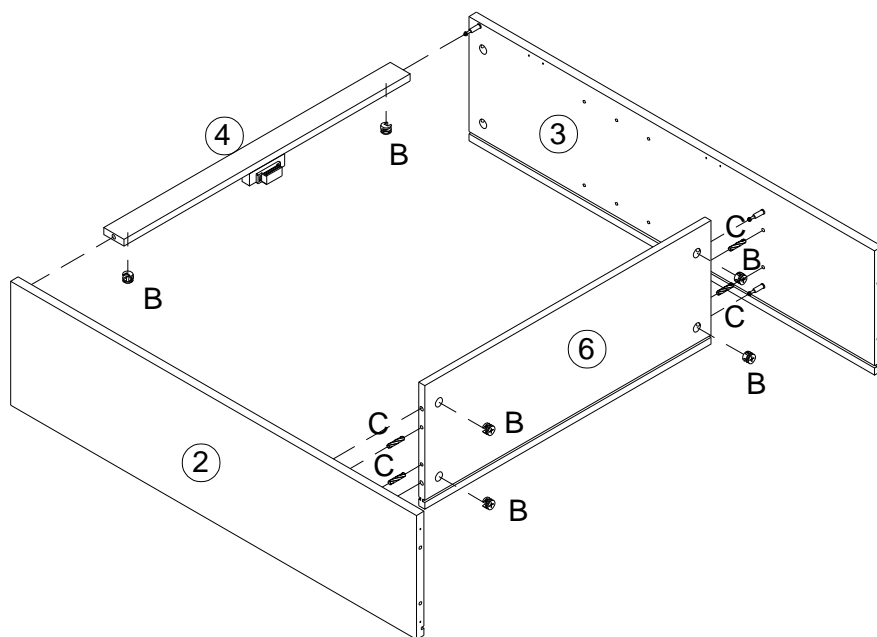
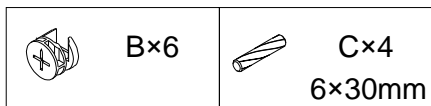
	B×4
---	-----



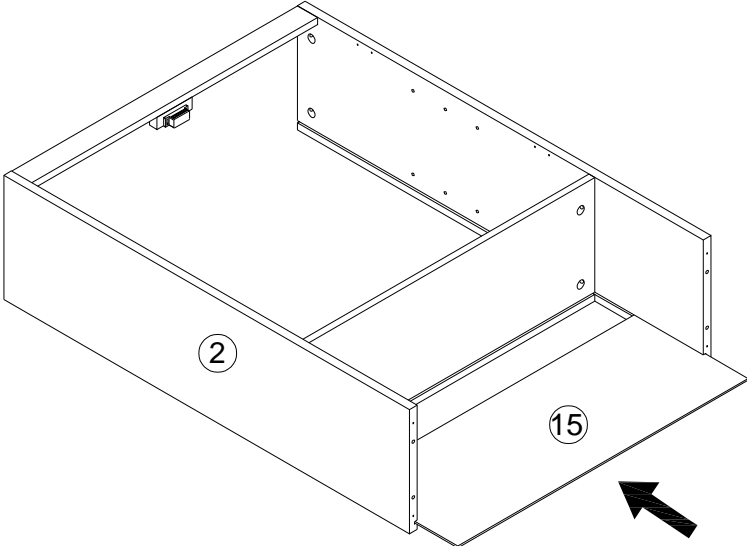
STEP 6




STEP 7

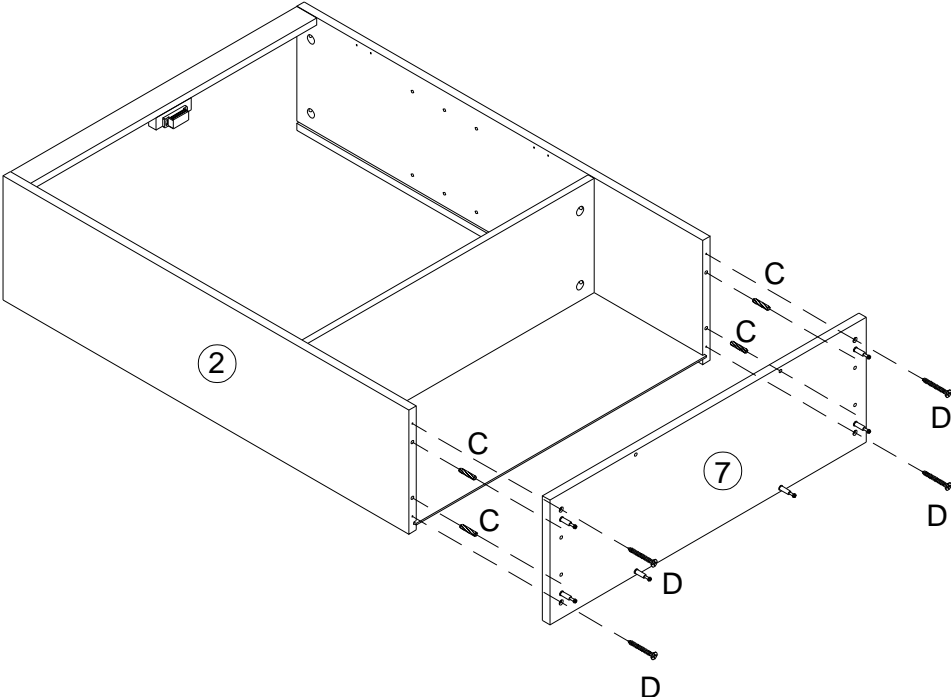


STEP 8

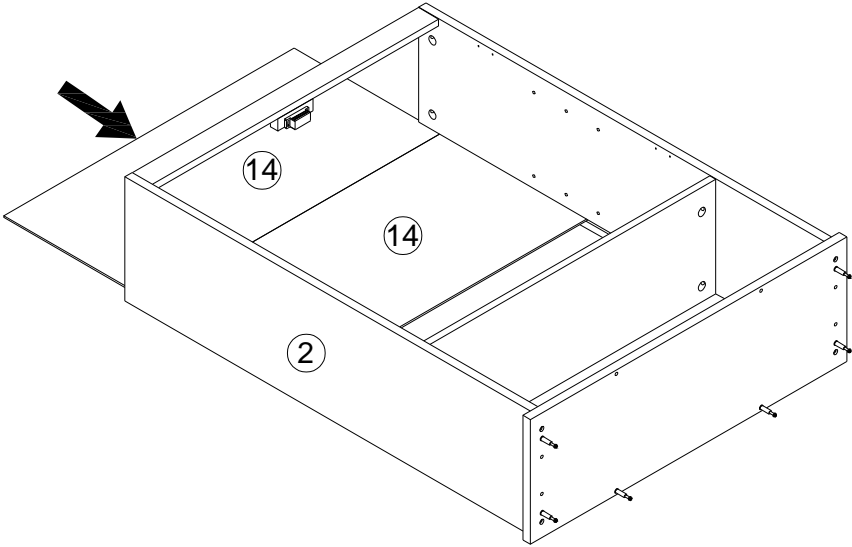


STEP 9

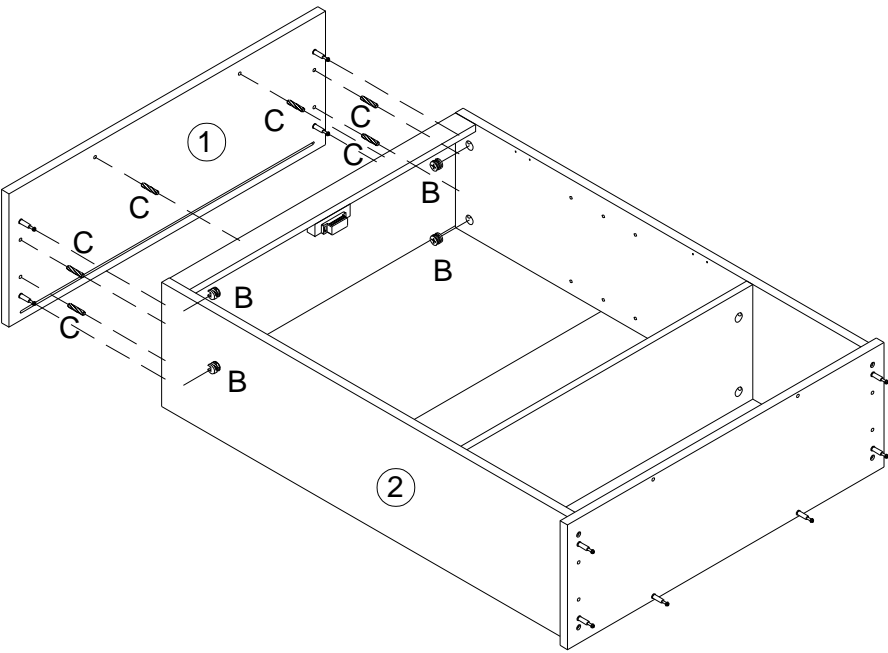
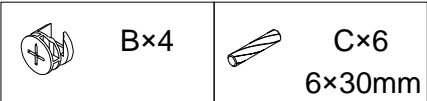
	C×4 6×30mm		D×4 4×35mm
---	---------------	---	---------------





STEP 10

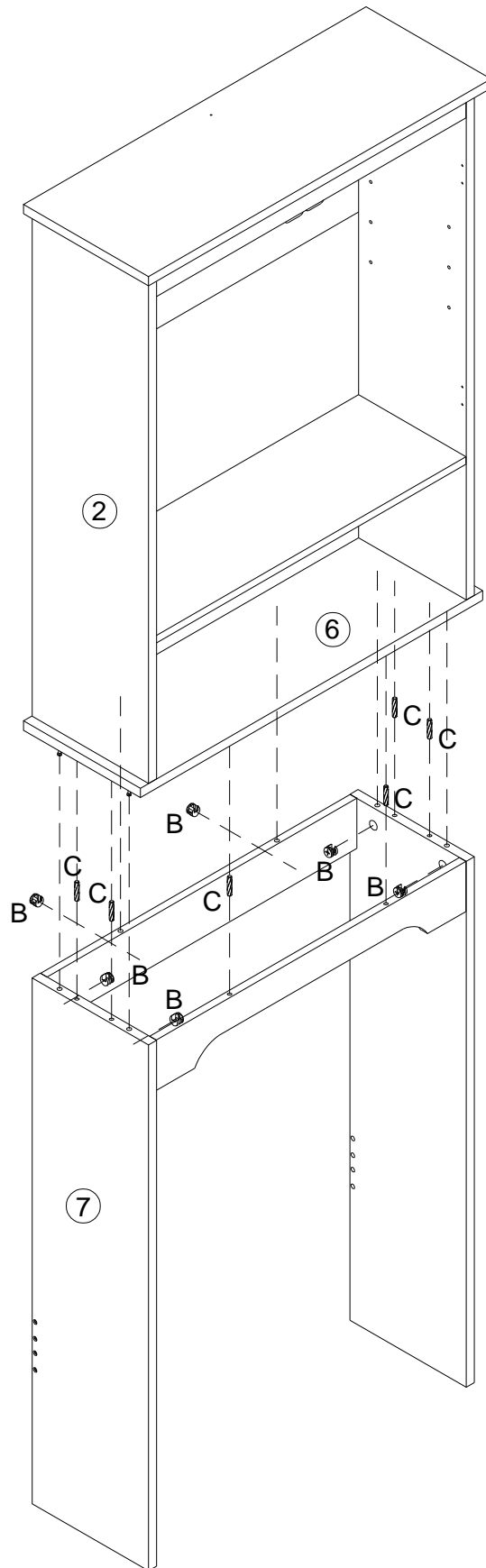


STEP 11






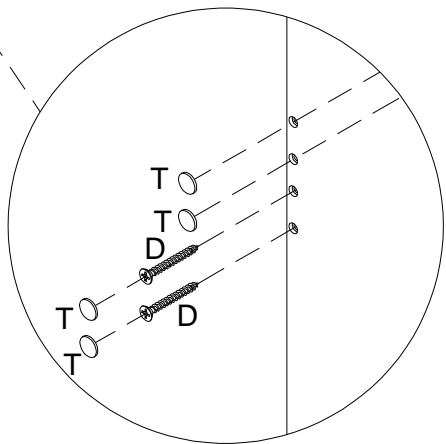
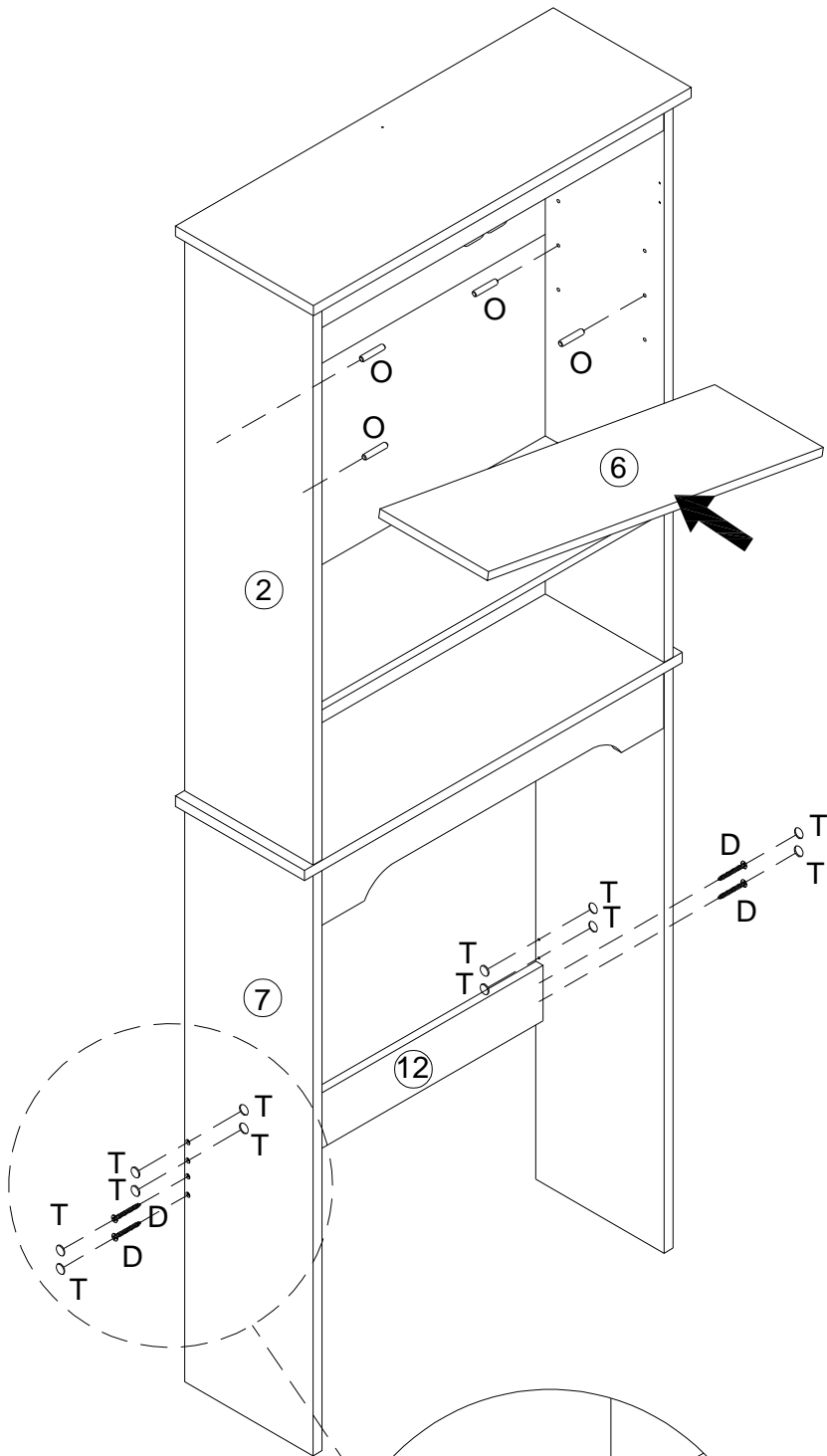
STEP 12

	B×6		C×6 6×30mm
---	-----	---	---------------

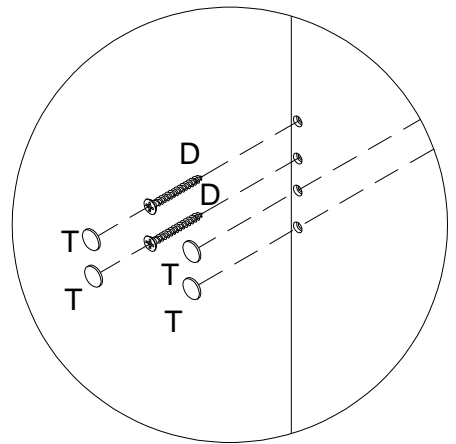


STEP 13


 O×4 5×25mm	 S×12	 D×4 4×35mm
---	--	---

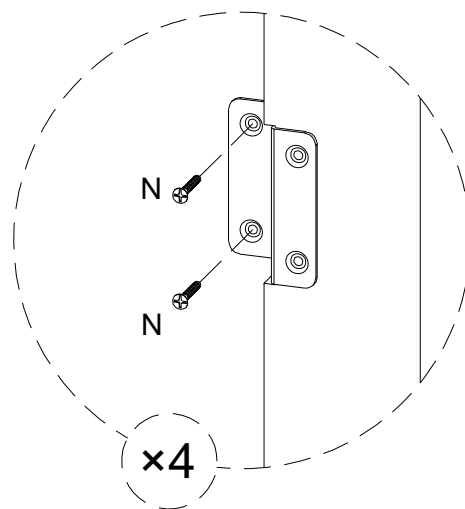
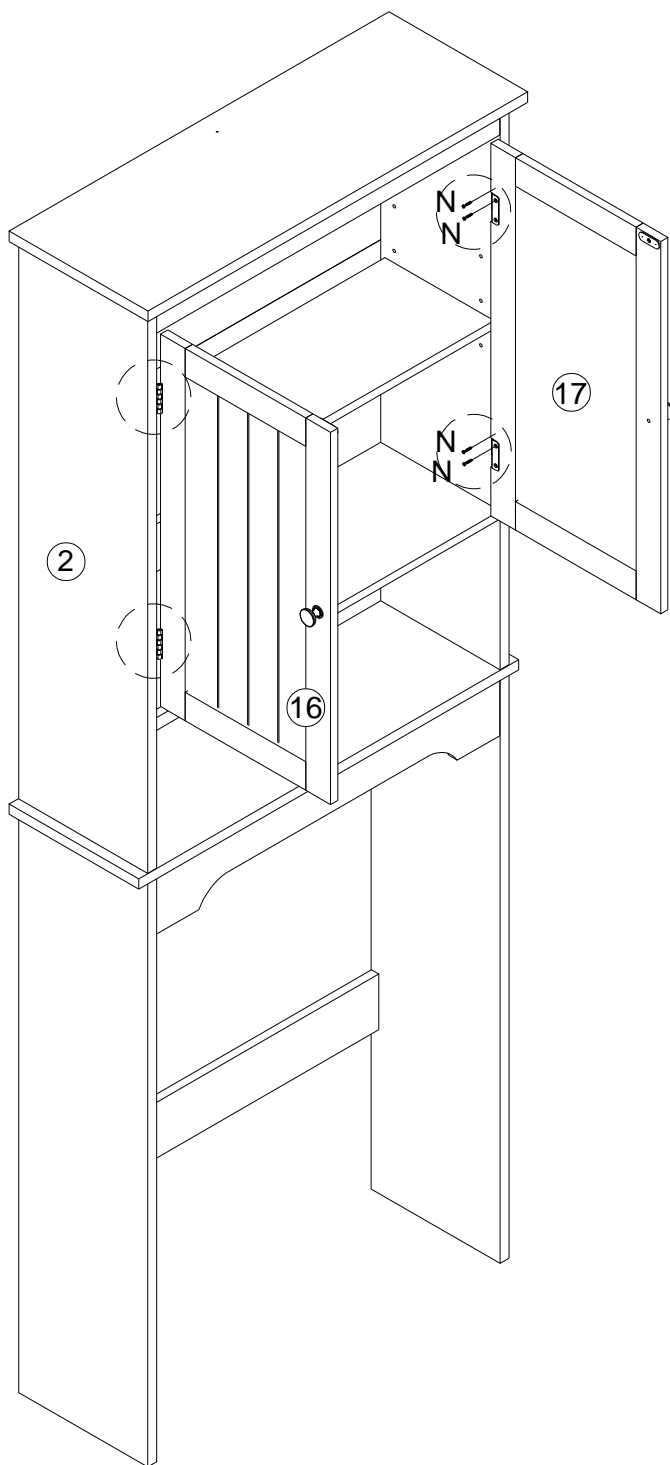


OR





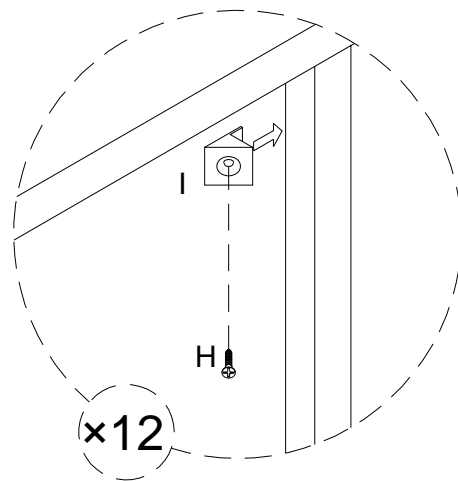
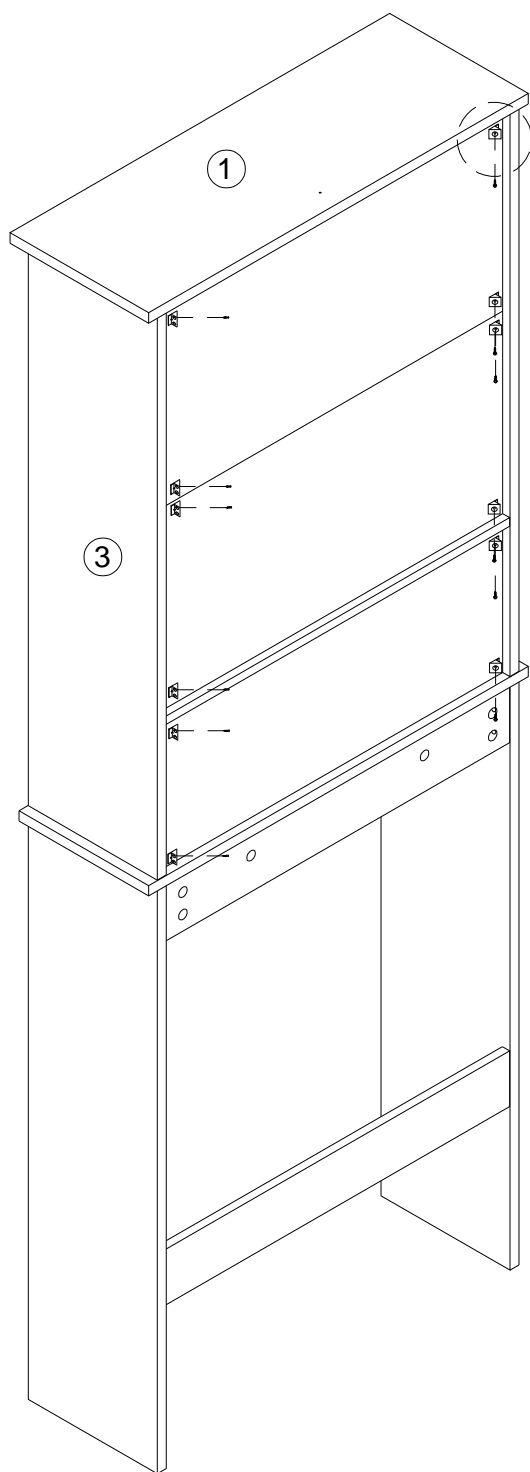
STEP 15

 N×8
3×12mm








STEP 16

	H×12 3×14mm		I×12
---	----------------	---	------



STEP 17

 D×1 4×35mm	 J×1	 L×1 4×12mm	 M×2	 S×1 6×30mm
---	---	---	--	---

