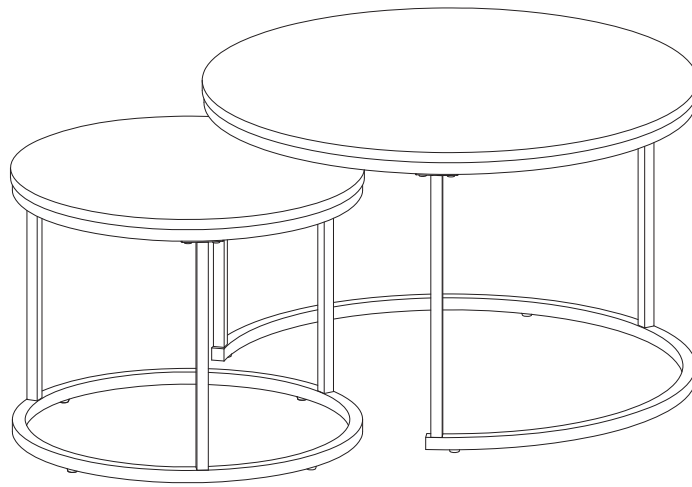
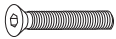





ASSEMBLY INSTRUCTION

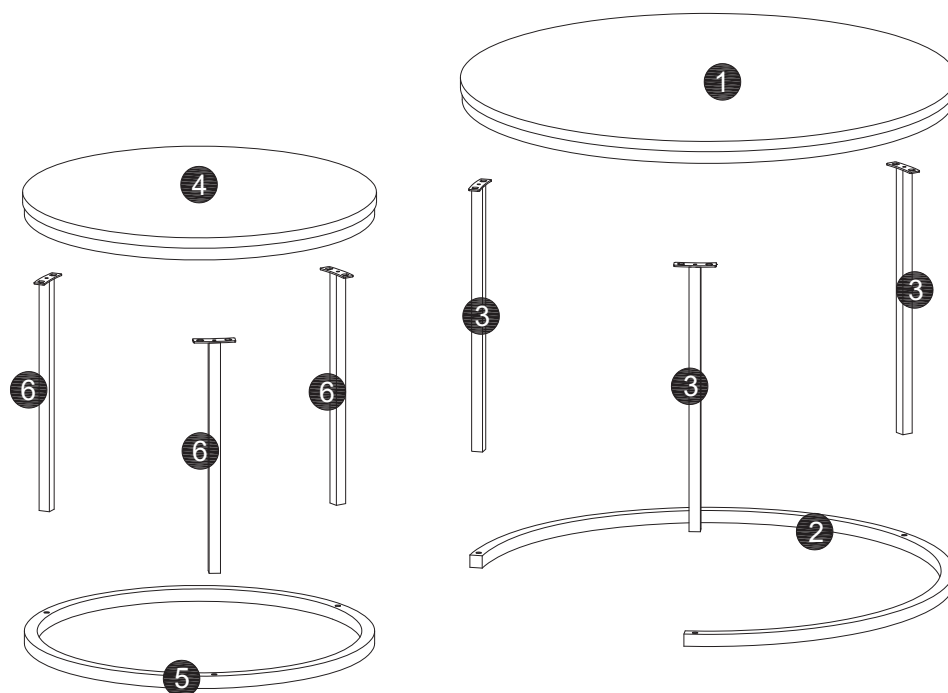


A: FOR BASE ONLY	x 6
	
M6x35mm	

B: FOR TOP ONLY	x 8
	
M6x15mm	

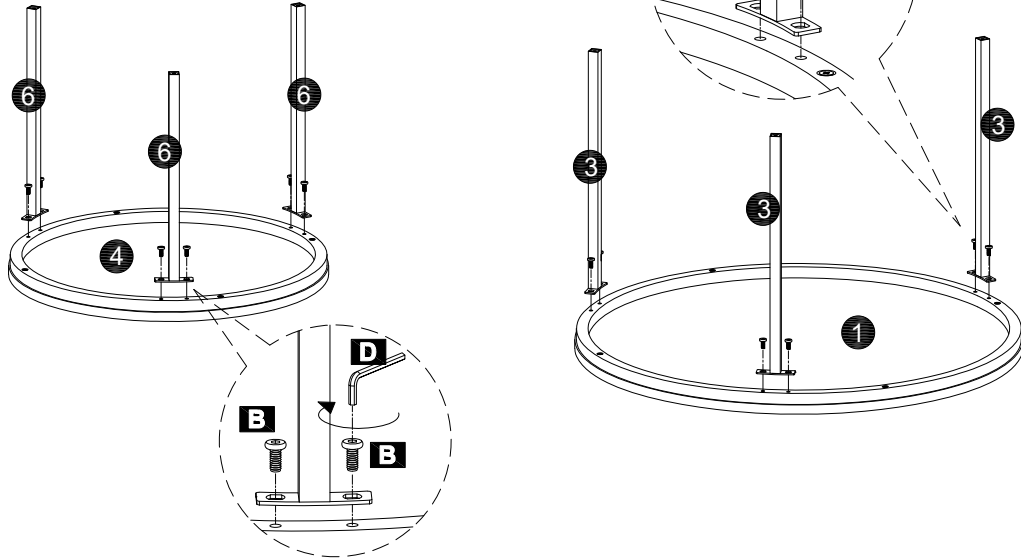
C	x 8
	
Φ19mm	

D	x 1
	
4mm	

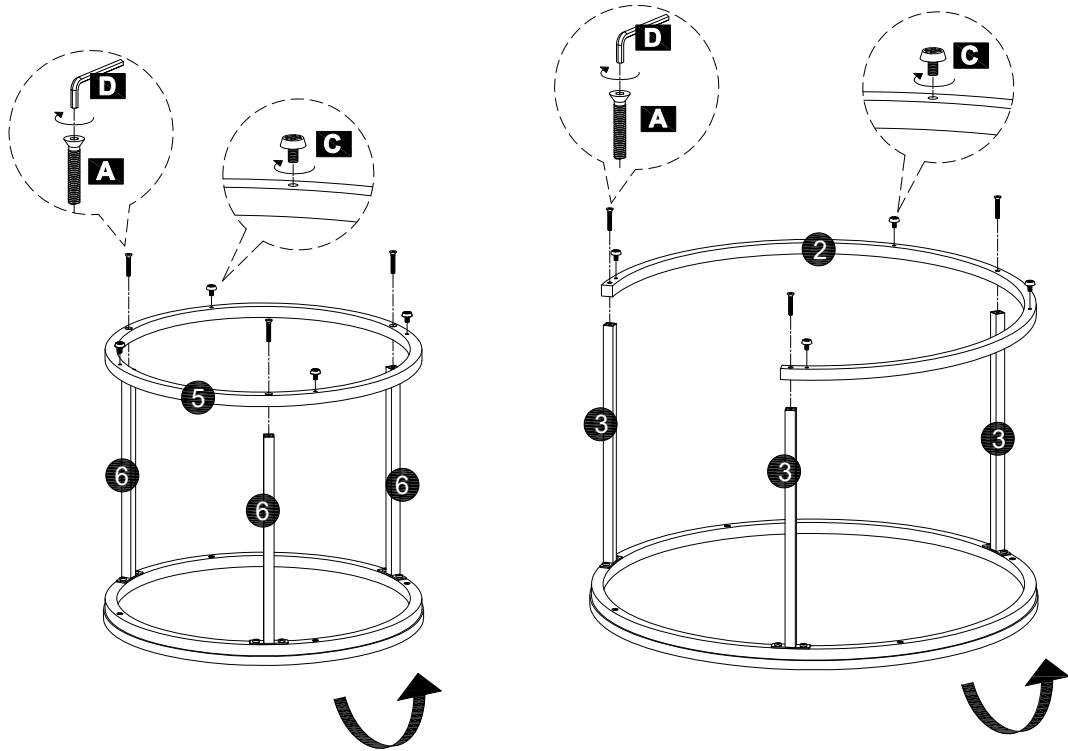


ASSEMBLY INSTRUCTION

1



2



3

