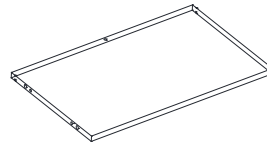


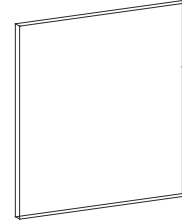
① x1

② x1

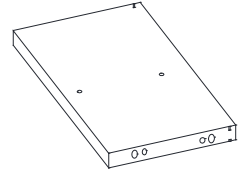
③ x1



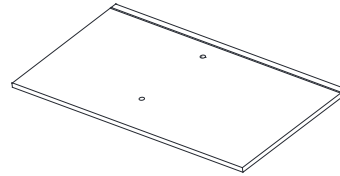
④ x1



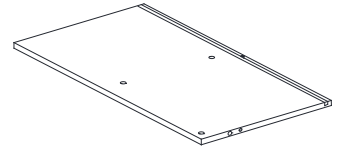
⑤ x3



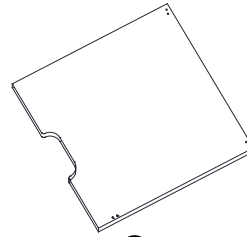
⑥ x1



⑦ x1



⑧ x1



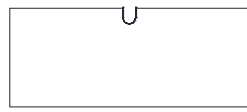
⑪ x1



⑫ x1



⑨ x2



⑩ x1



Ax22



Bx30



Cx30



Dx8



Ex2



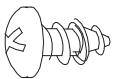
Fx2



Gx1



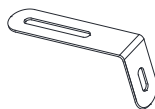
Hx1



Ix1

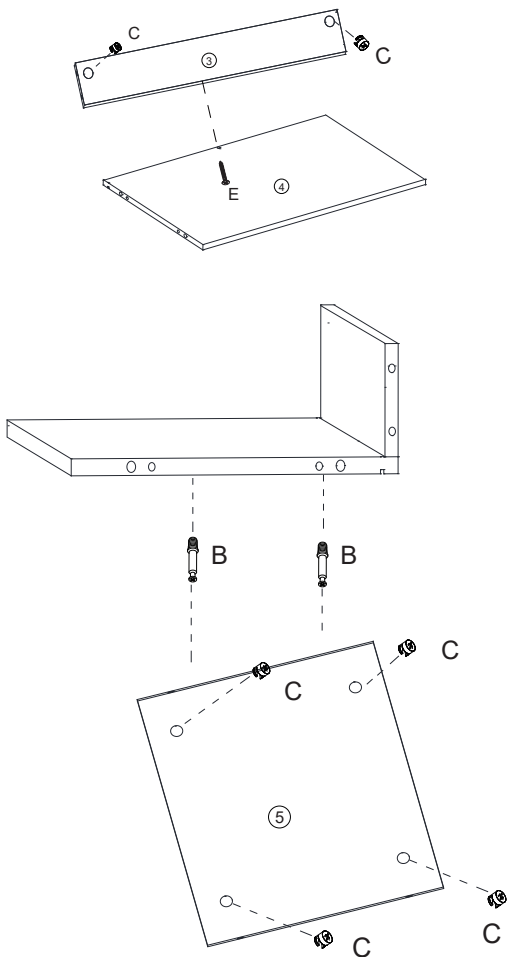


Jx1

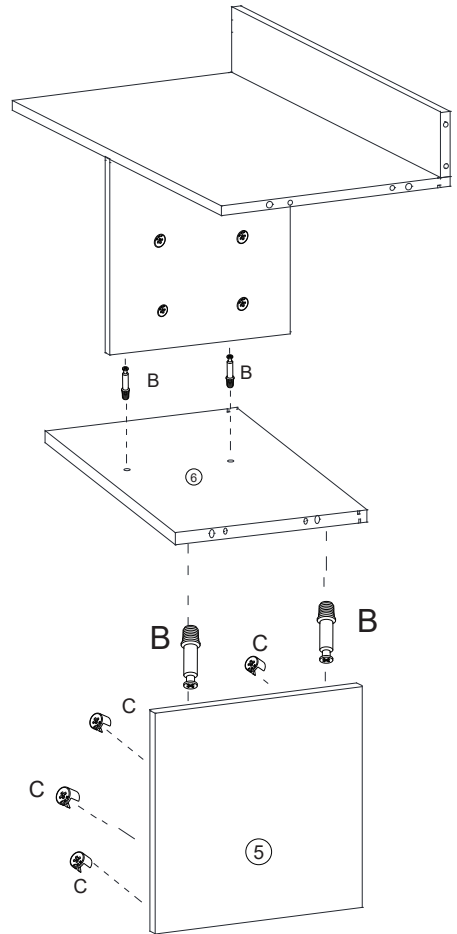


Kx1

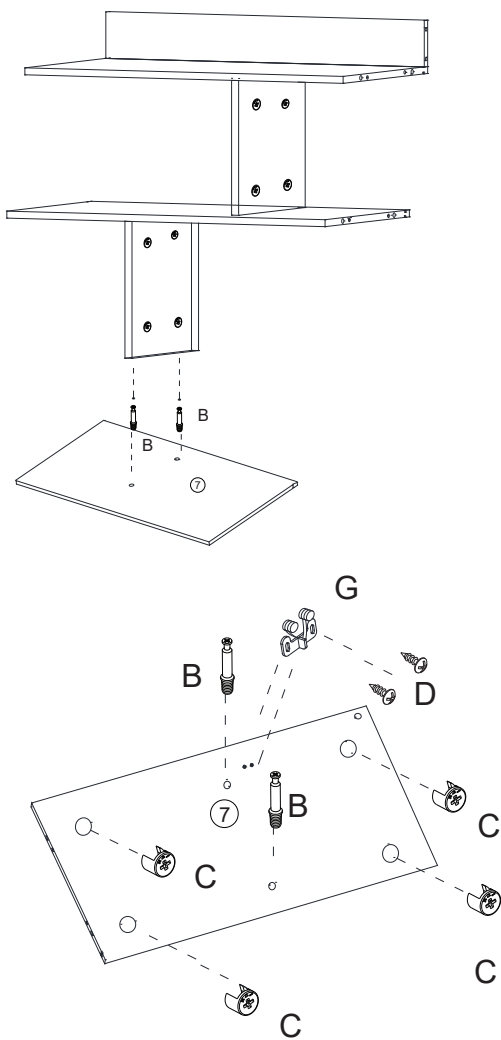
1



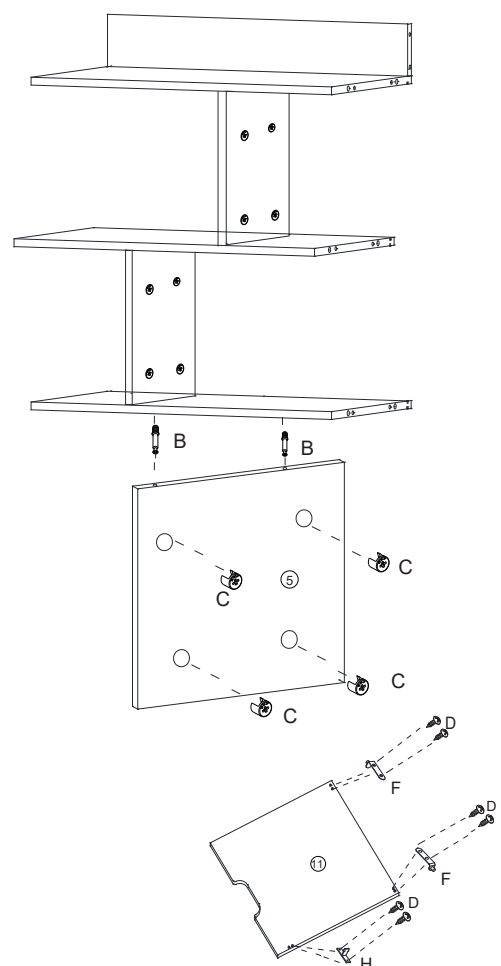
2



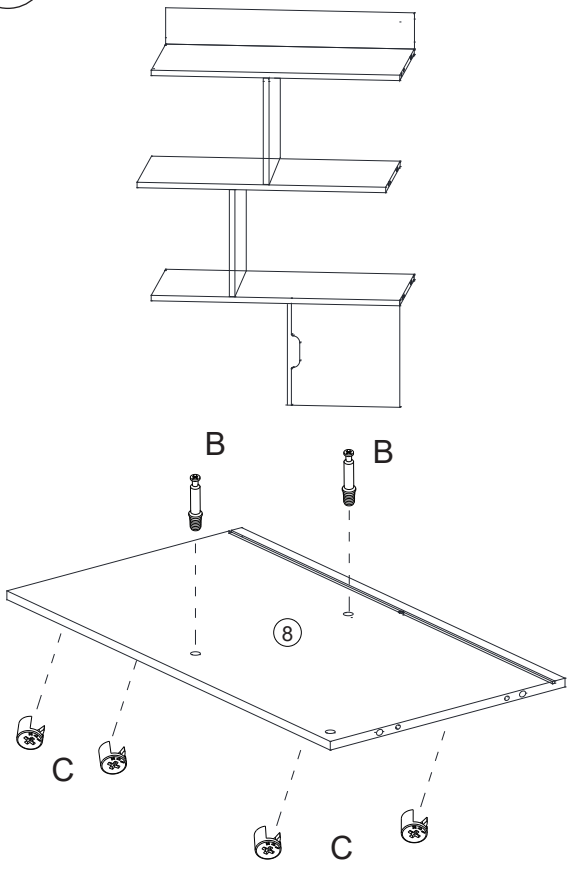
3



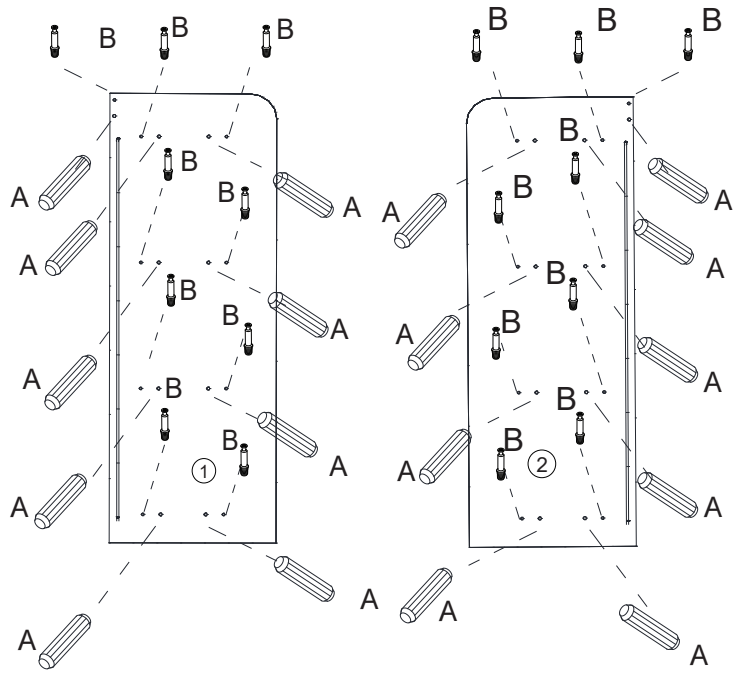
4



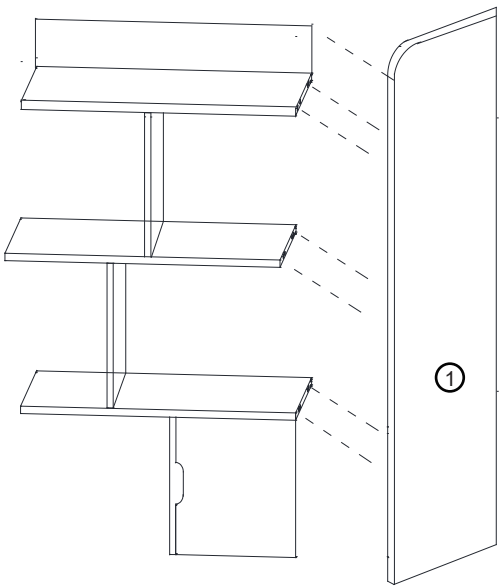
5



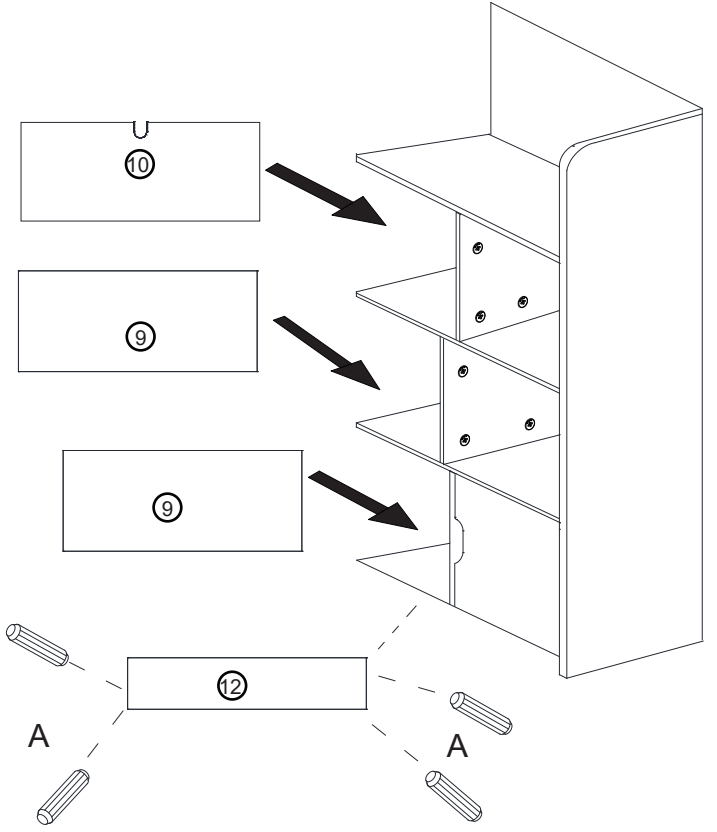
6



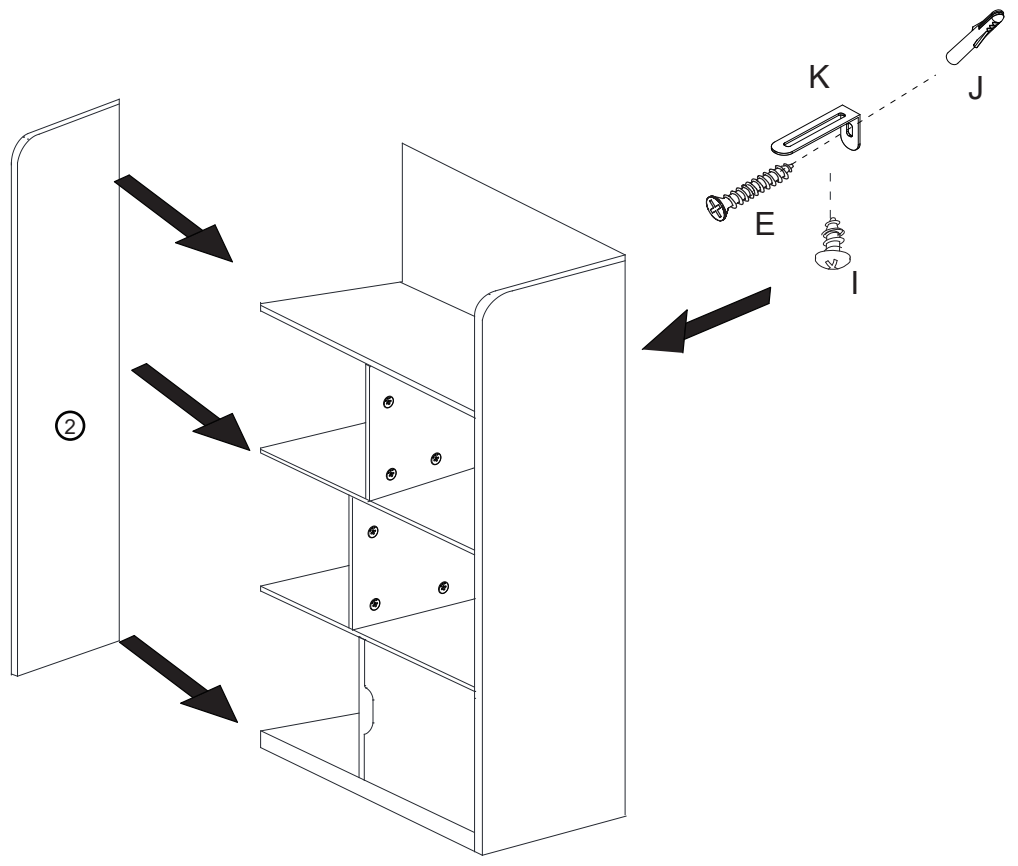
7



8



9



10

