












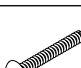








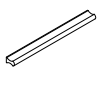

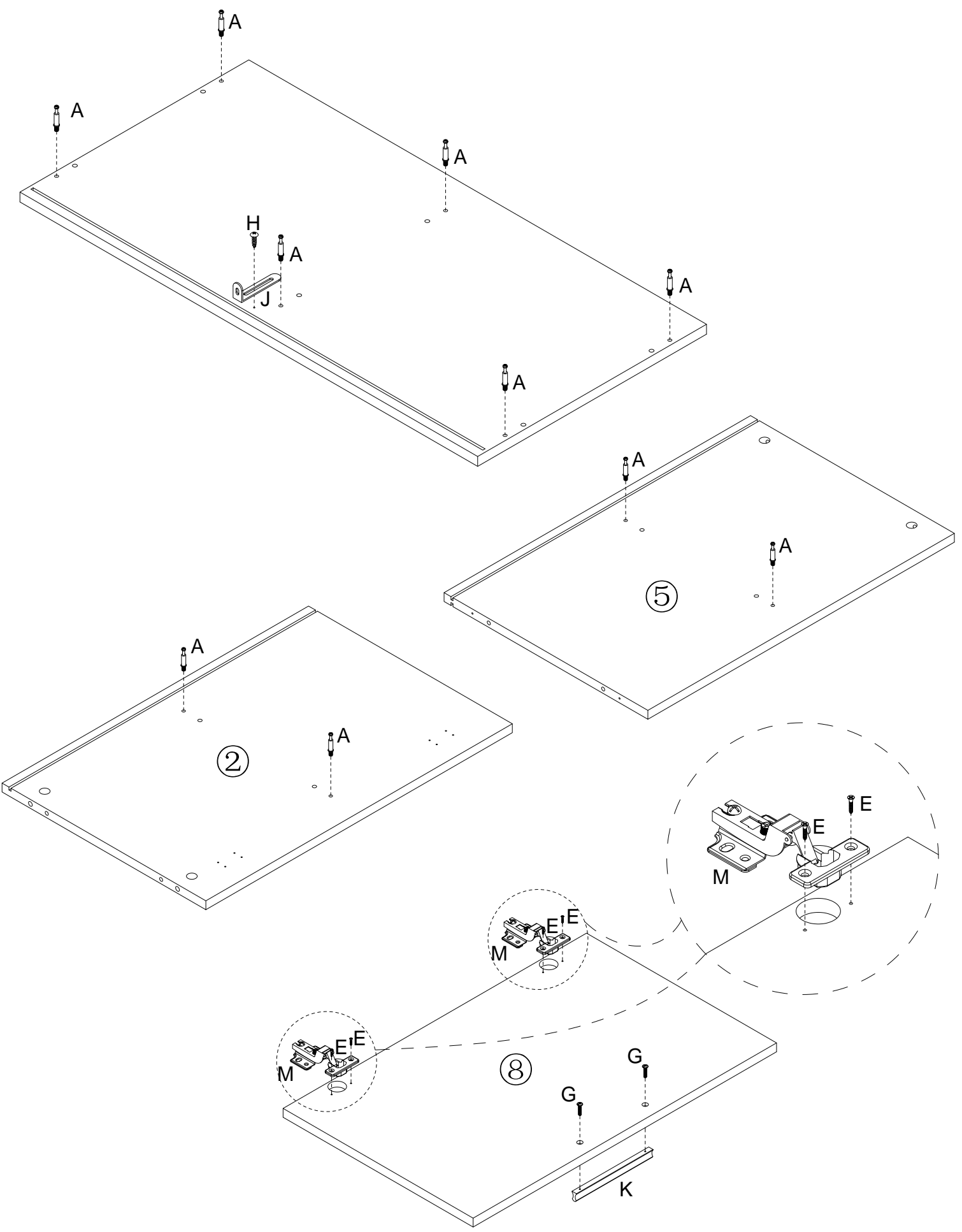
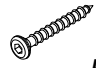
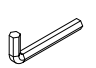
 A×10	 B×10	 C×16 6×30mm	 D×8 5×40mm	 E×12 4×14mm	 F×8 3×14mm	 G×2 4×16mm
 H×1 4×12mm	 I×4	 J×1	 K×1	 L×8	 M×2	 N×6 4×35mm
 O×1 4×40mm	 P×1	 S×1	 T×1			

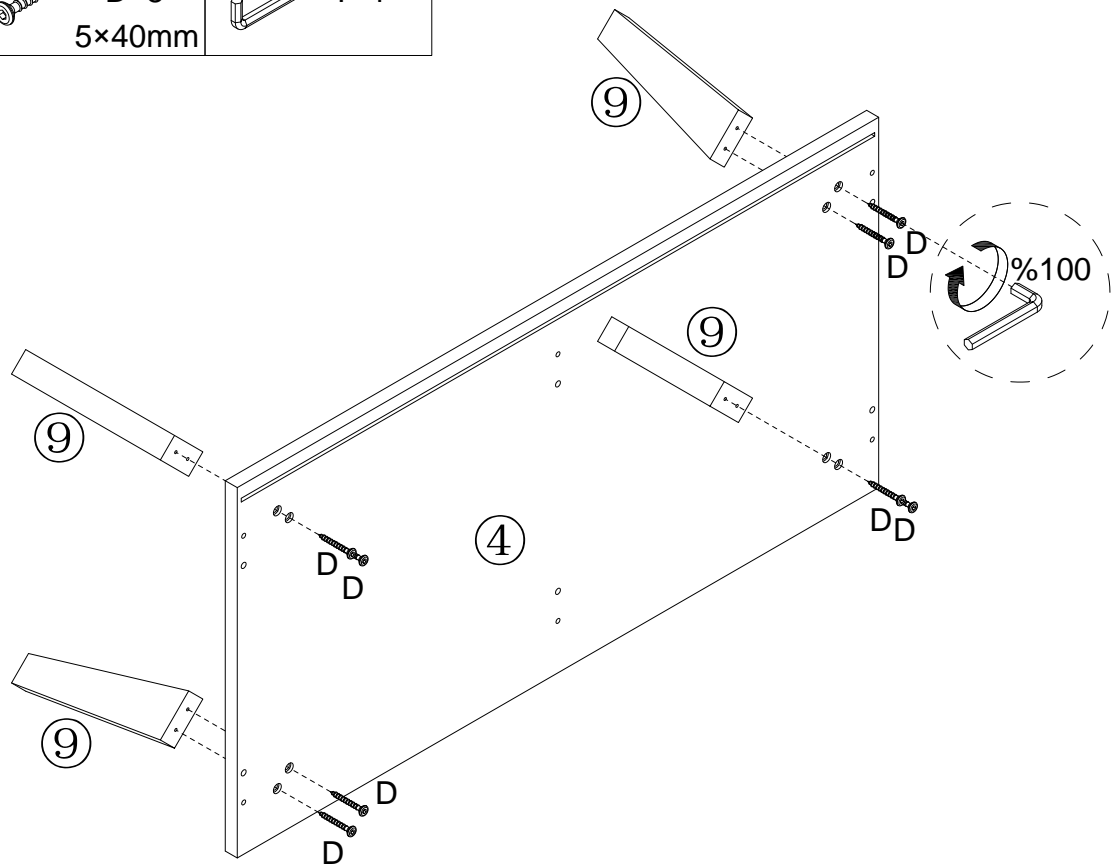
STEP 1

 A×10	 E×4 4×14mm	 G×2 4×16mm	 H×1 4×12mm	 J×1
 K×1	 M×2			





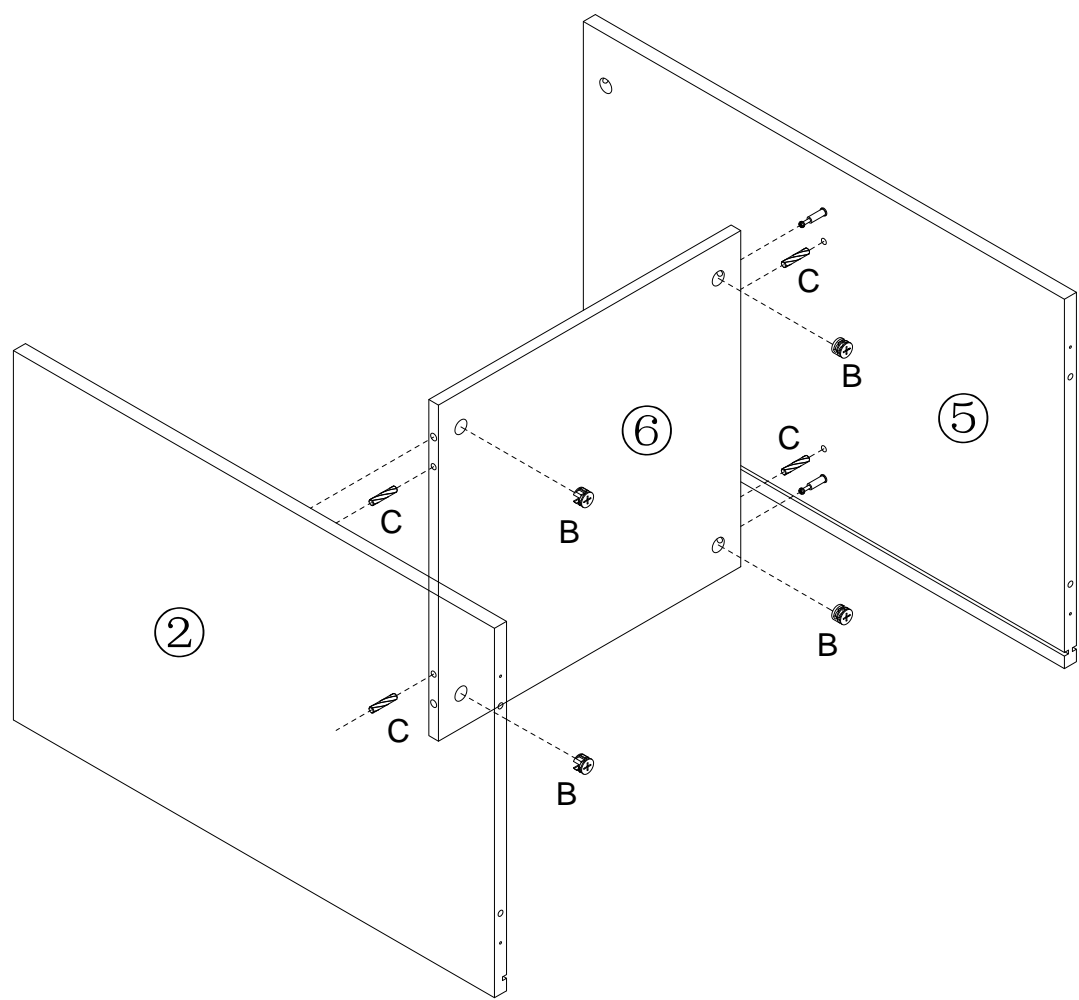
STEP 2

 D×8 5×40mm	 T×1
--	--





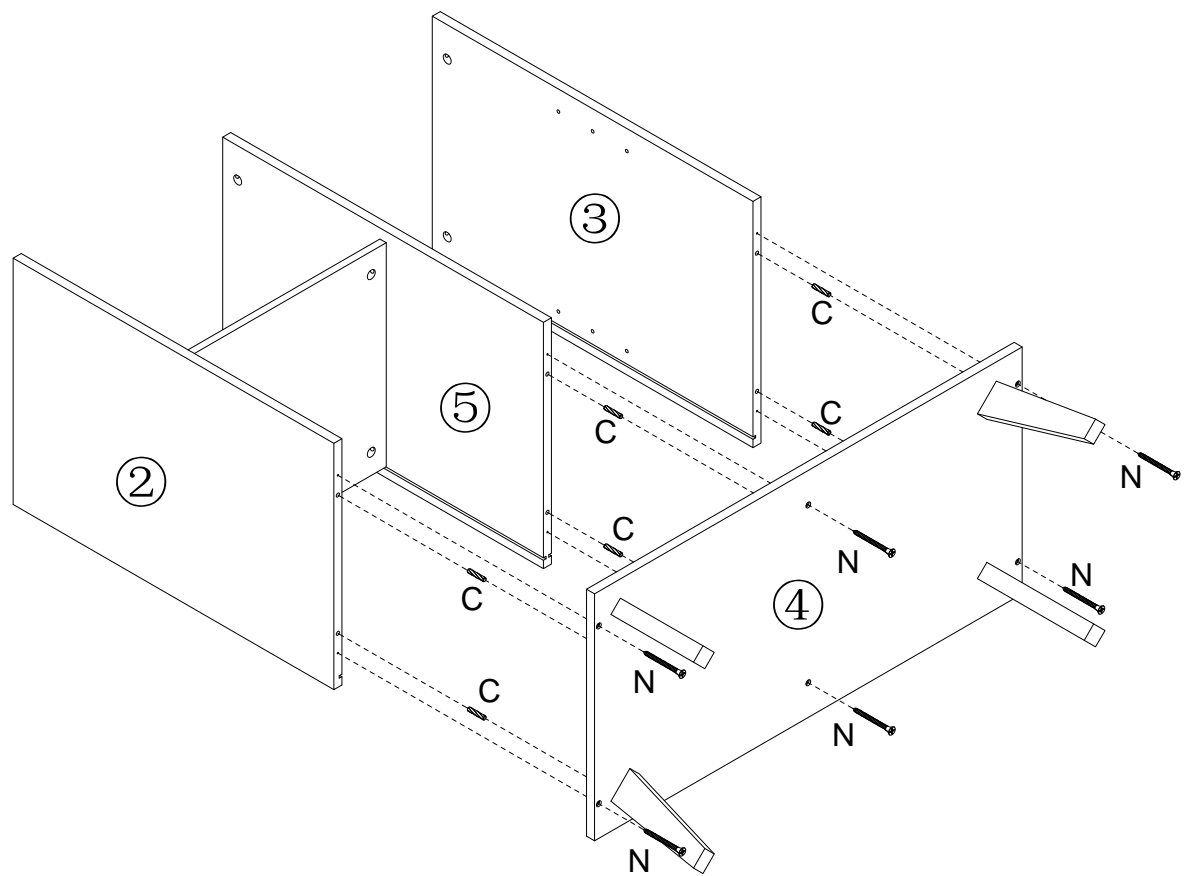
STEP 3

 B×4	 C×4 6×30mm
---	---

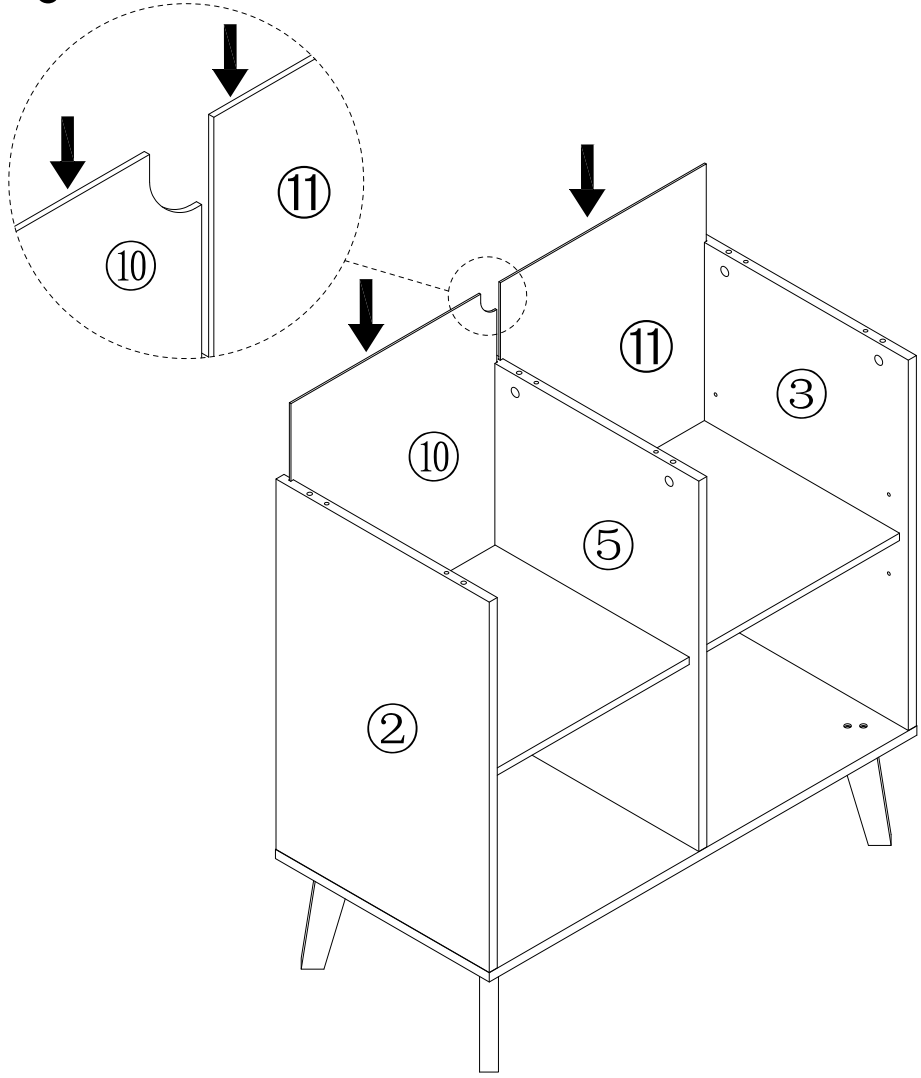


STEP 5



	C×6 6×30mm		N×6 4×35mm
--	---------------	--	---------------

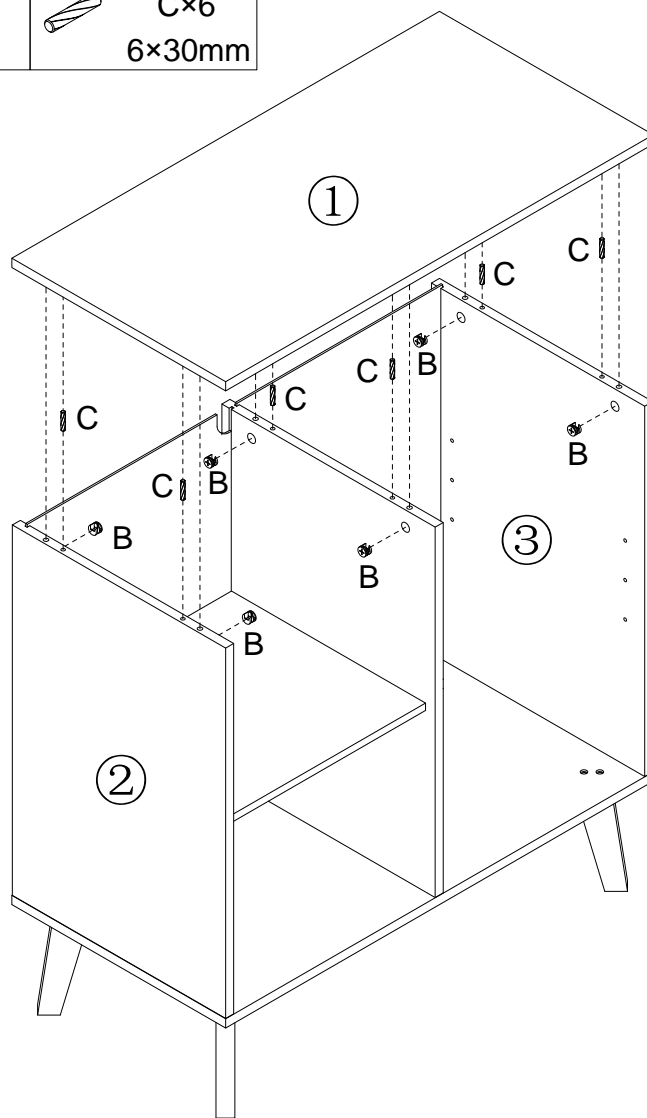


STEP 6






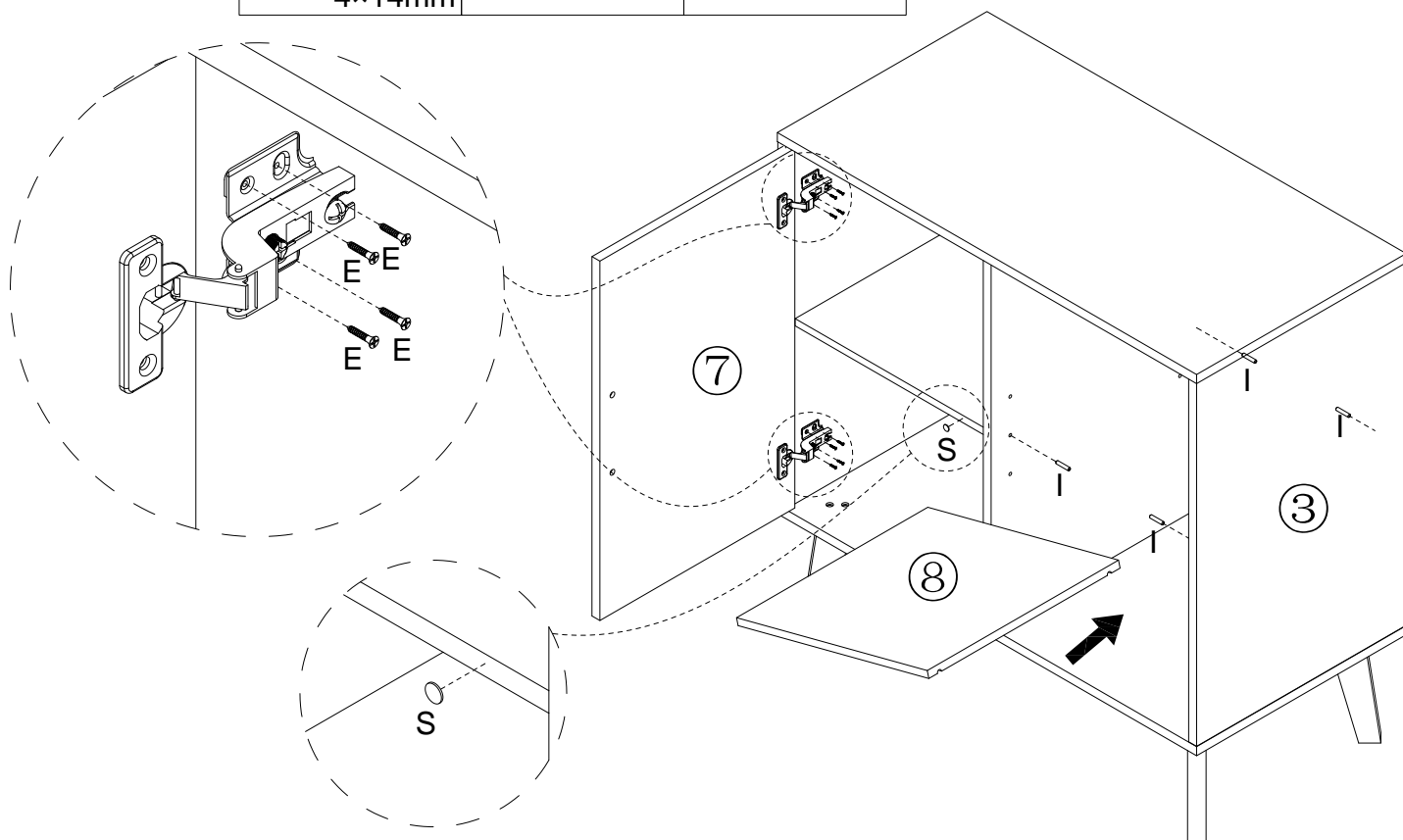
STEP 7

 B×6	 C×6 6×30mm
--	--





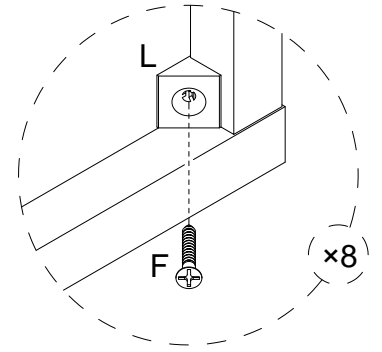
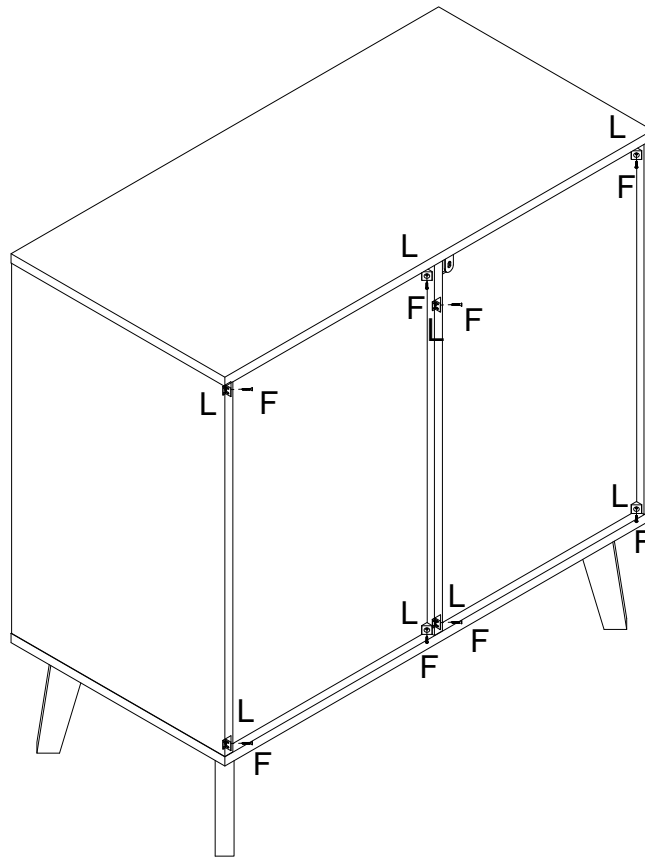
STEP 8

 E×8 4×14mm	 I×4	 S×1
---	---	---





STEP 9

 F×8 3×14mm	 L×8
--	--



STEP 10

 O×1 4×40mm	 P×1
---	---

