





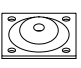



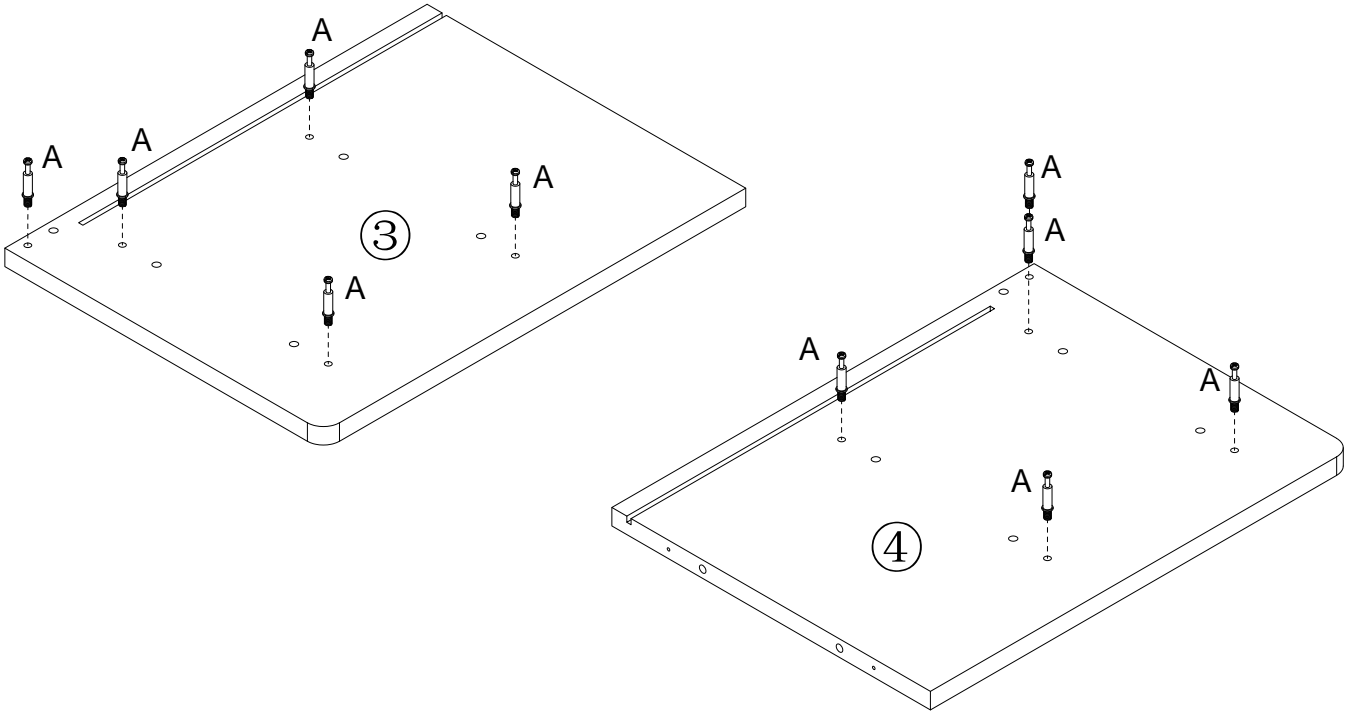
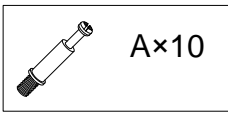
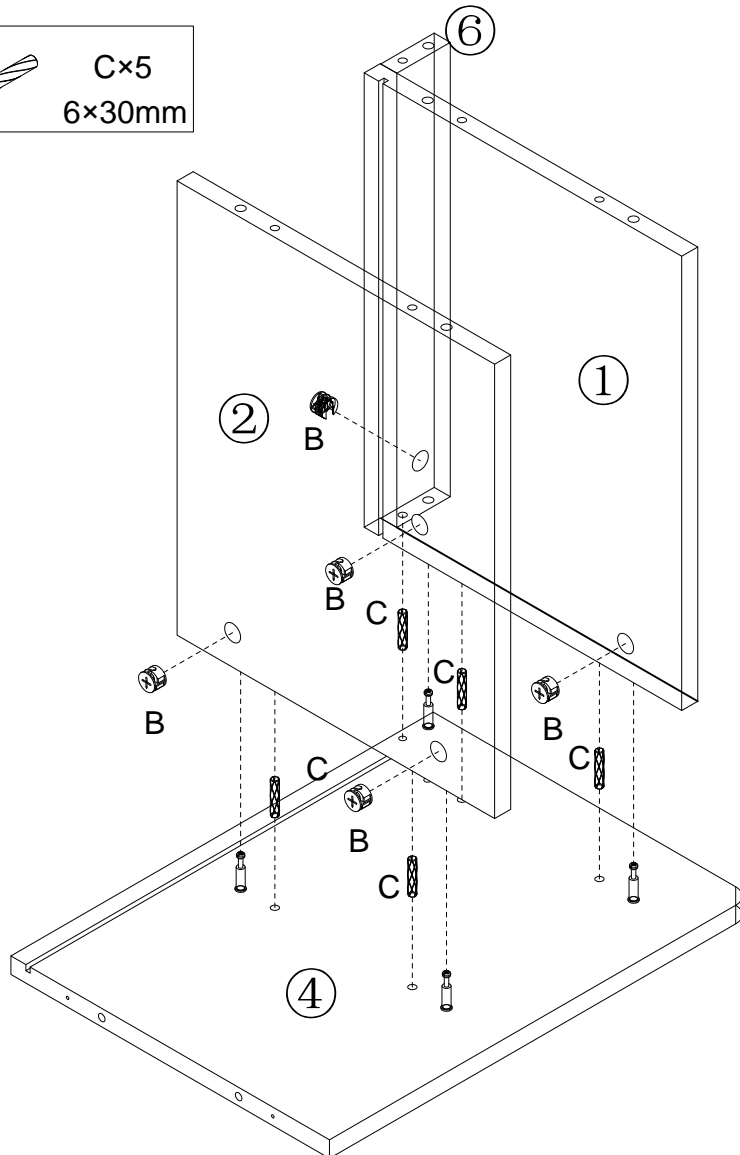
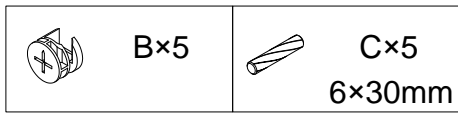
	A×10		B×10		C×14 6×30mm		D×4 4×35mm		E×16 4×12mm		F×4 3×14mm		G×2 4×8mm
	H×4		I×1		J×4		K×4						



STEP 1

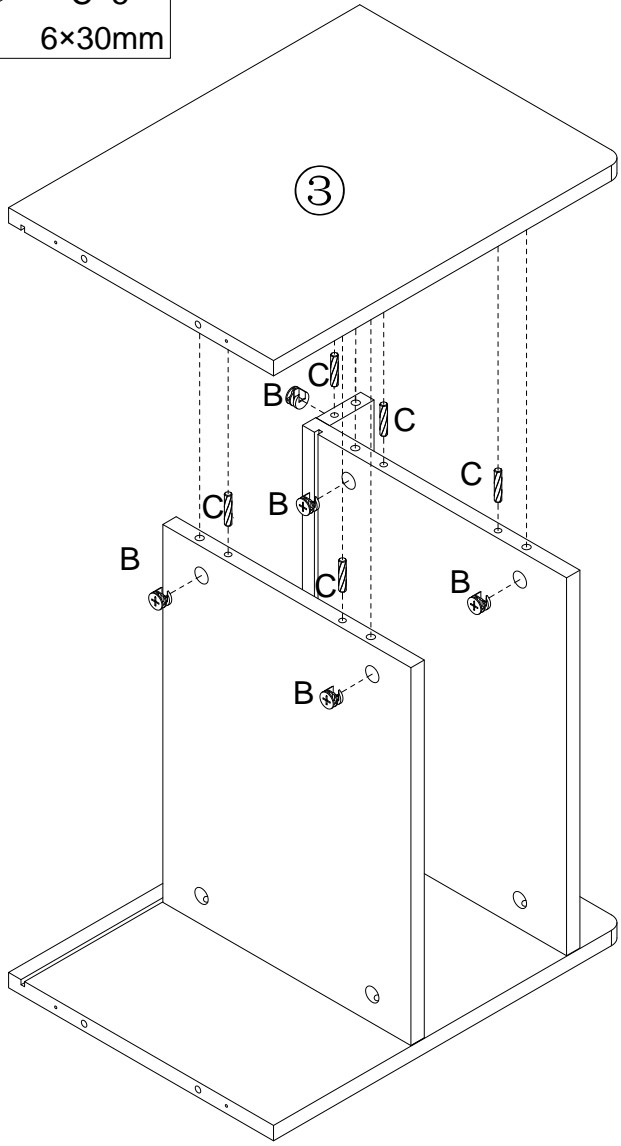


STEP 2

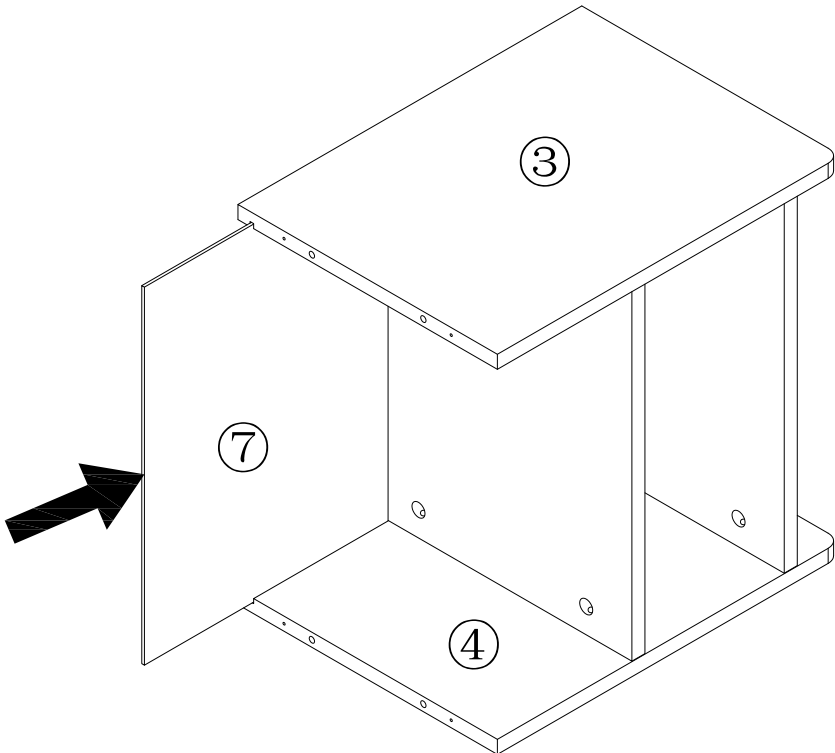


STEP 3



	B×5		C×5 6×30mm
--	-----	--	---------------

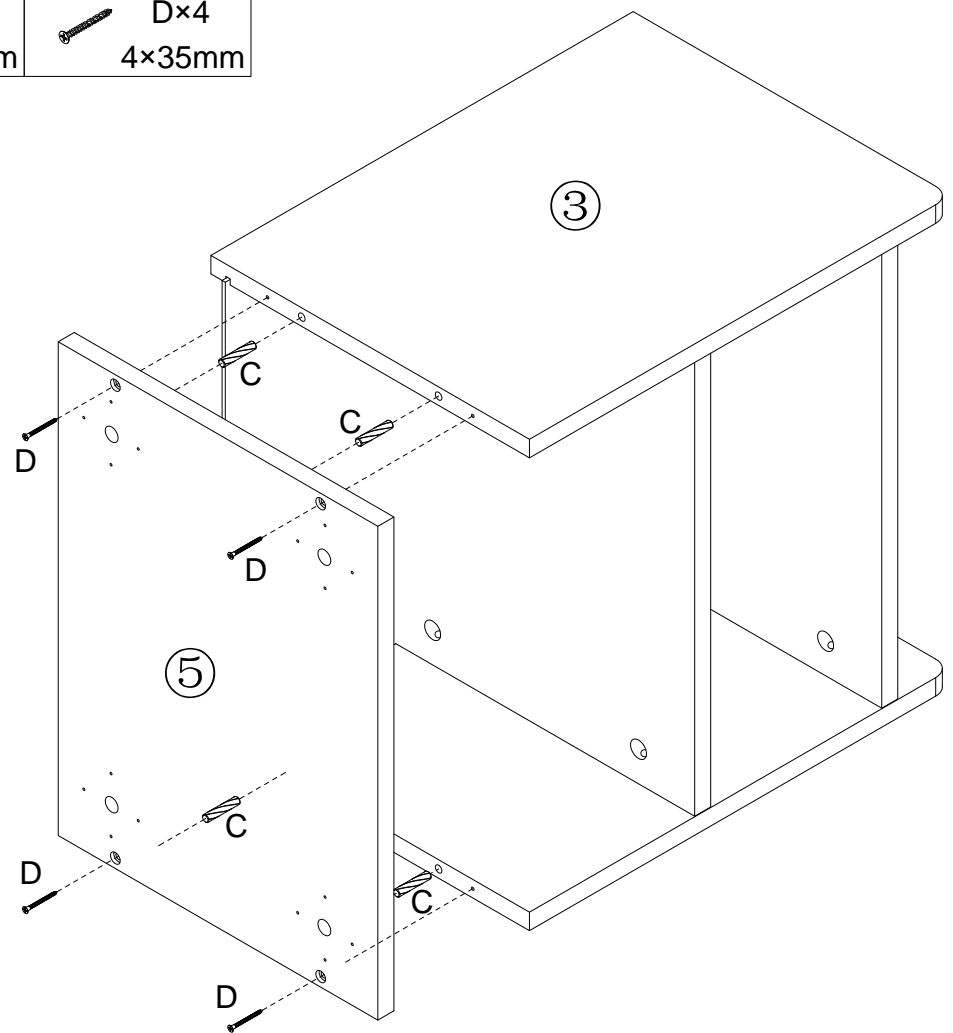


STEP 4


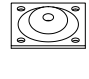


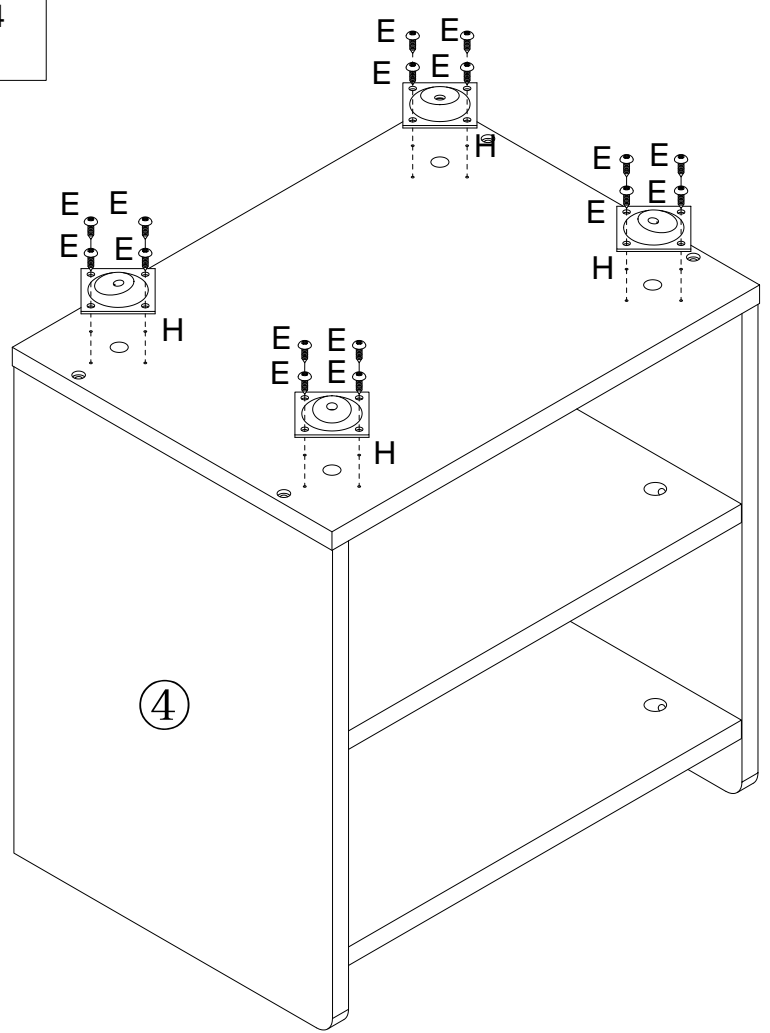
STEP 5

	C×4 6×30mm		D×4 4×35mm
--	---------------	--	---------------

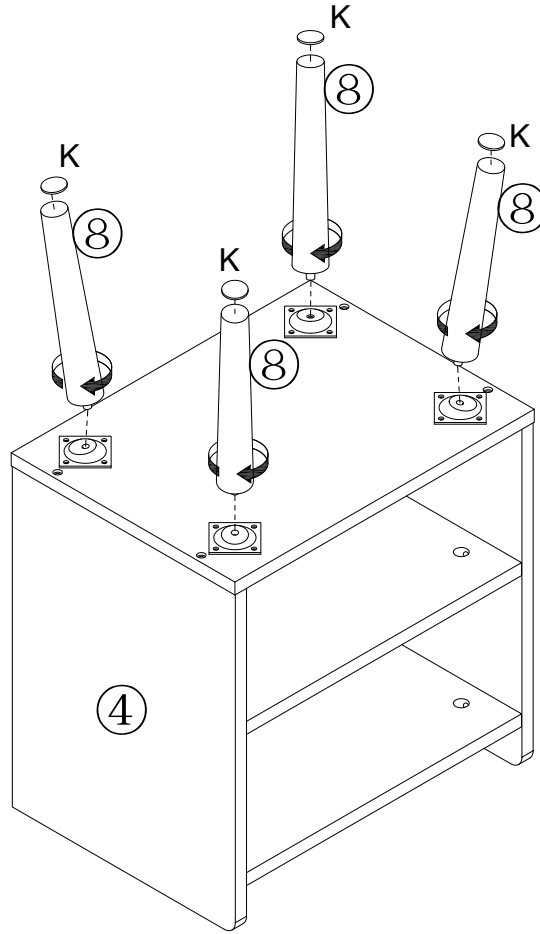
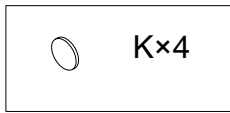


STEP 6

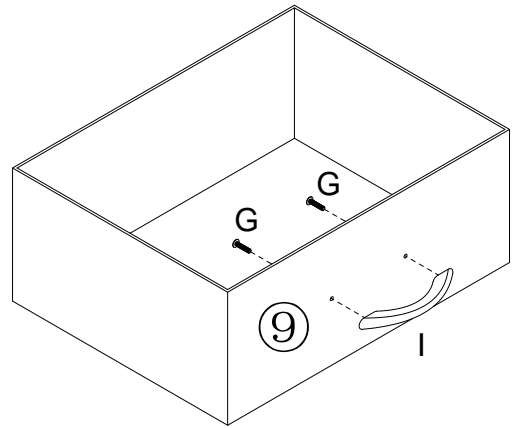
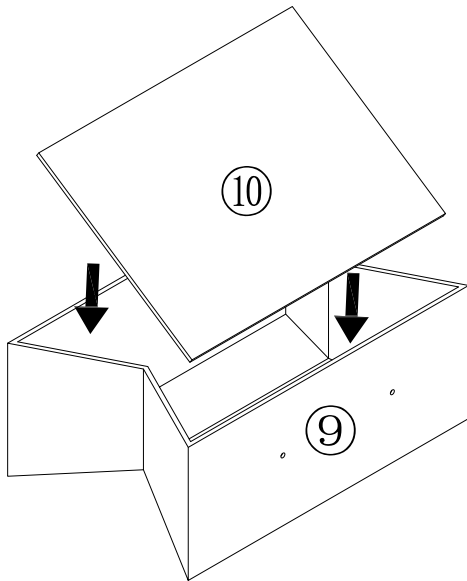
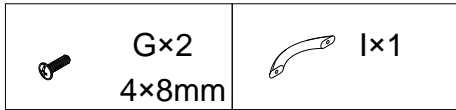
	E×16 4×12mm		H×4
---	----------------	---	-----



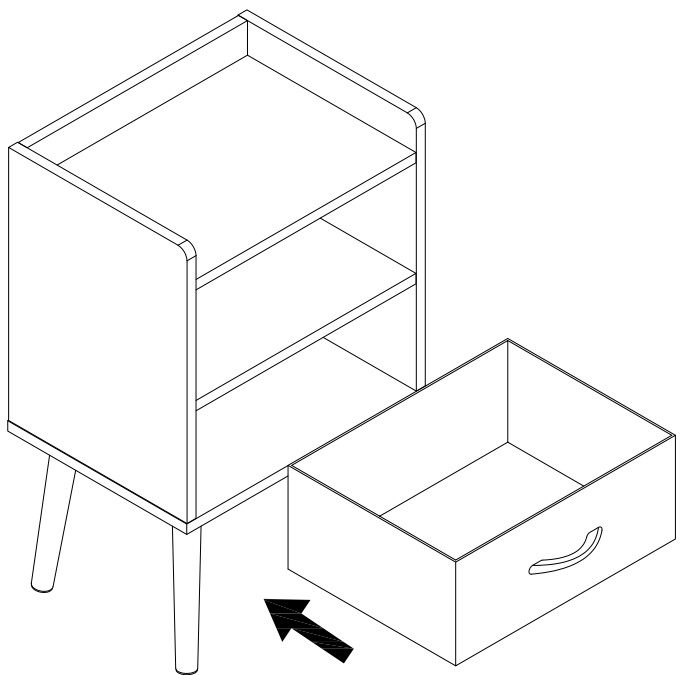
STEP 7





STEP 9



STEP 10



STEP 11

 F×4 3×14mm	 J×4
---	---

