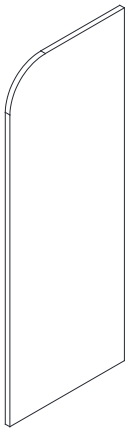


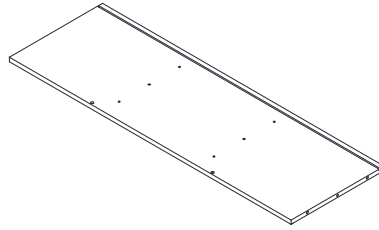
① x1



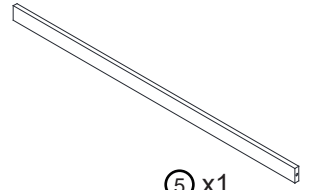
② x1



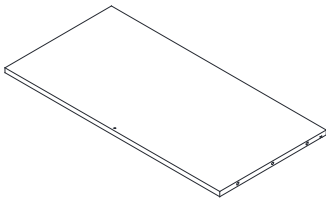
③ x1



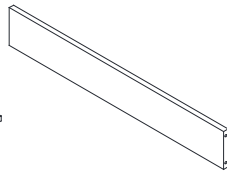
④ x1



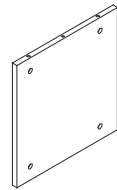
⑤ x1



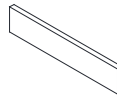
⑥ x1



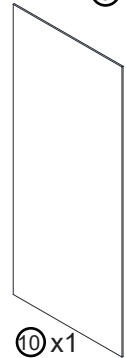
⑦ x1



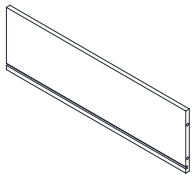
⑧ x3



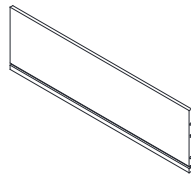
⑨ x1



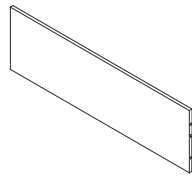
⑩ x1



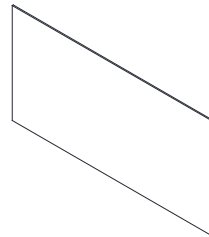
⑪ x1



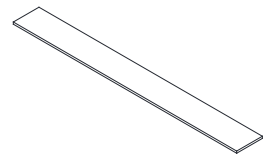
⑫ x2



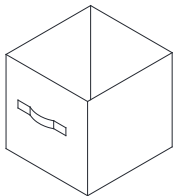
⑬ x1



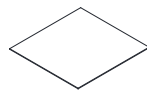
⑭ x1



⑮ x3



⑯ x3



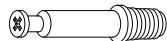
⑰ x3



M5x25
Ax12



M6x25
Bx18



M6x38
Cx32



Ø12x10
Dx32



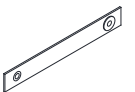
M4x30
Ex4



M6x30
Fx1

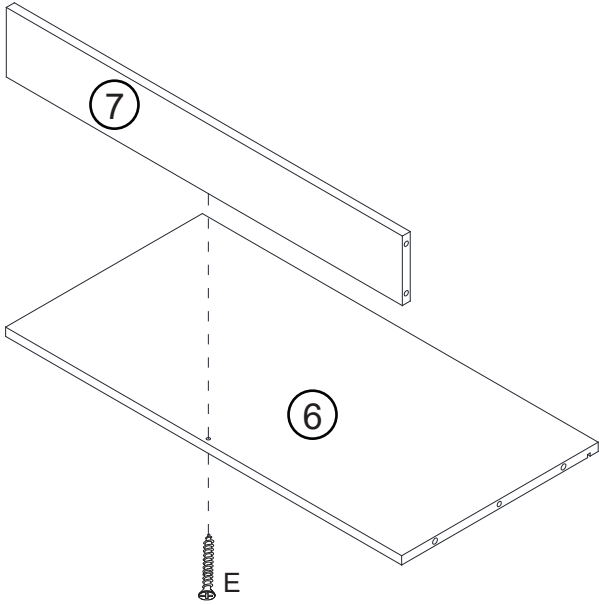


M4x12
Gx1

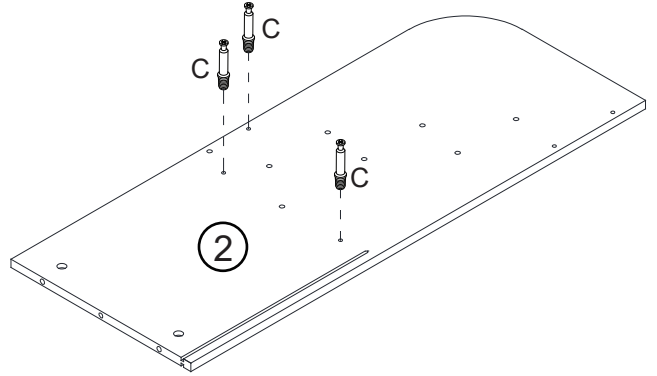


Hx1

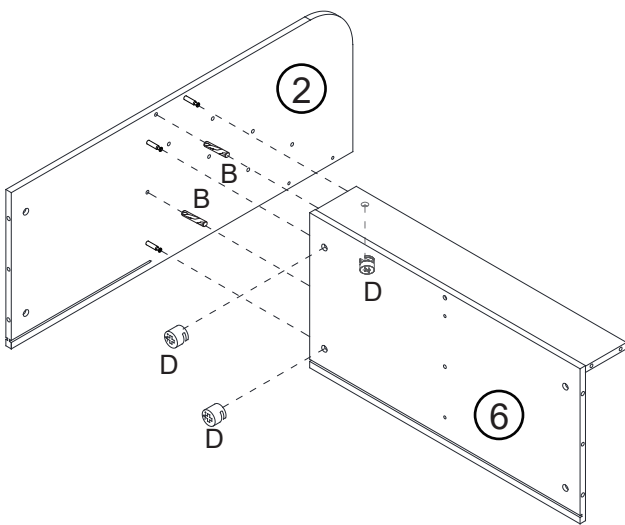
1



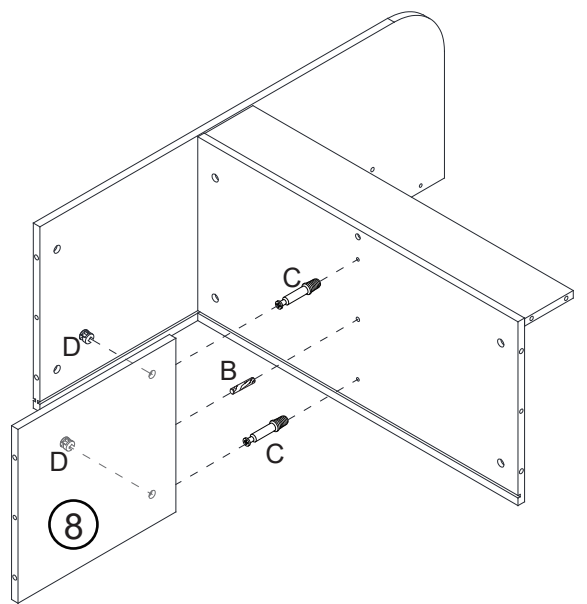
2



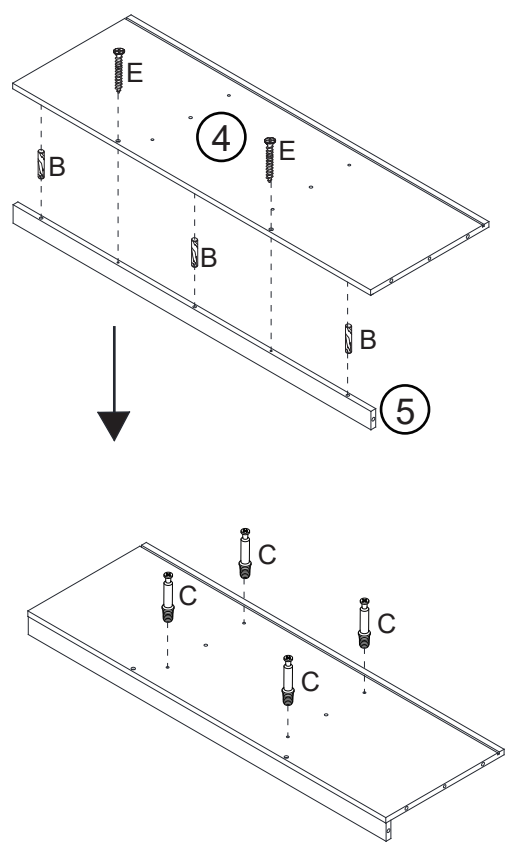
3



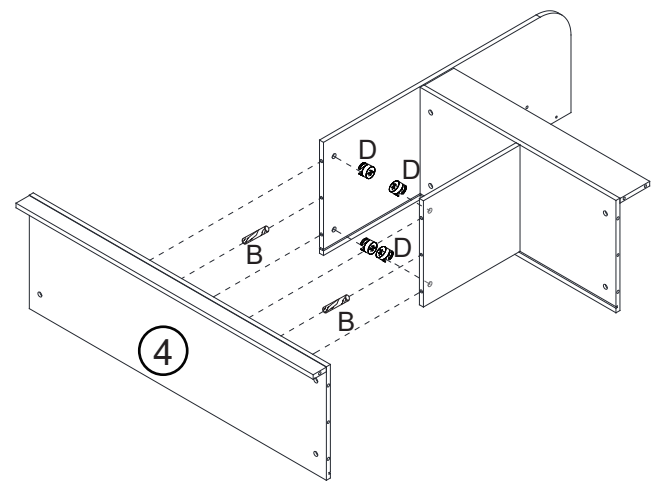
4



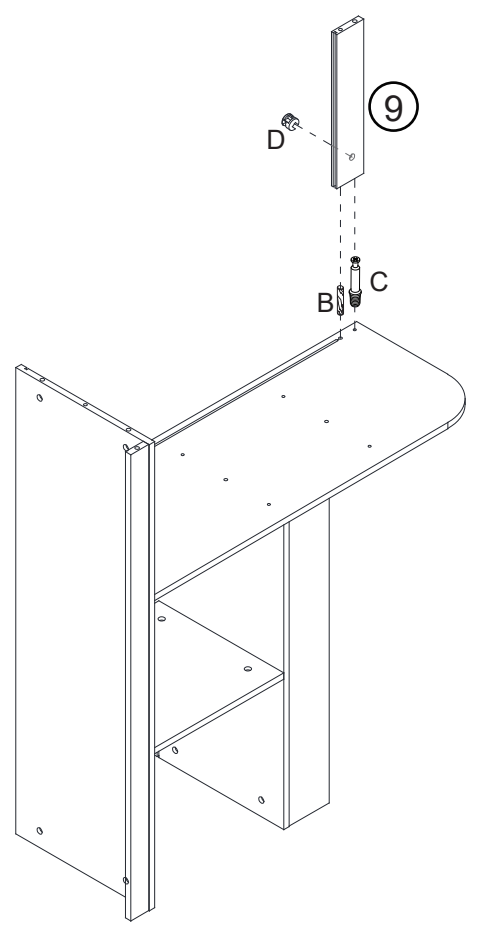
5



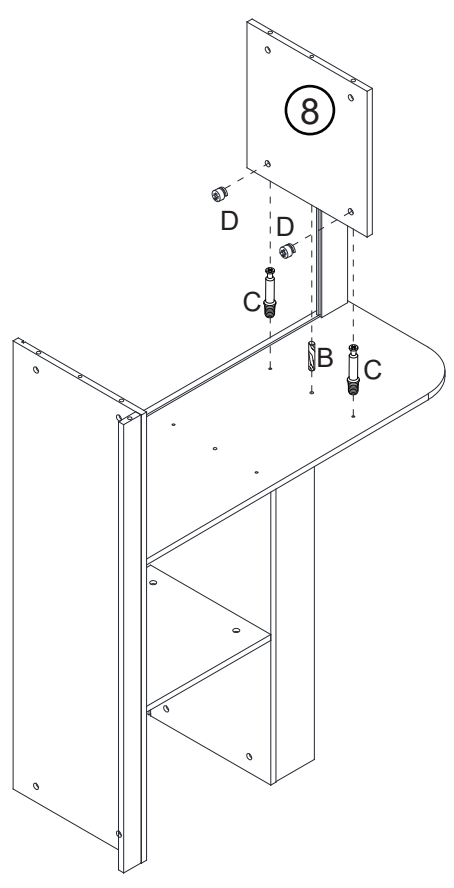
6



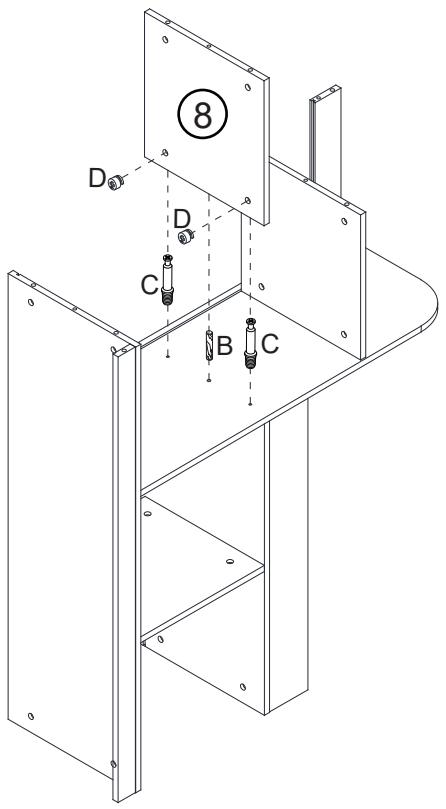
7



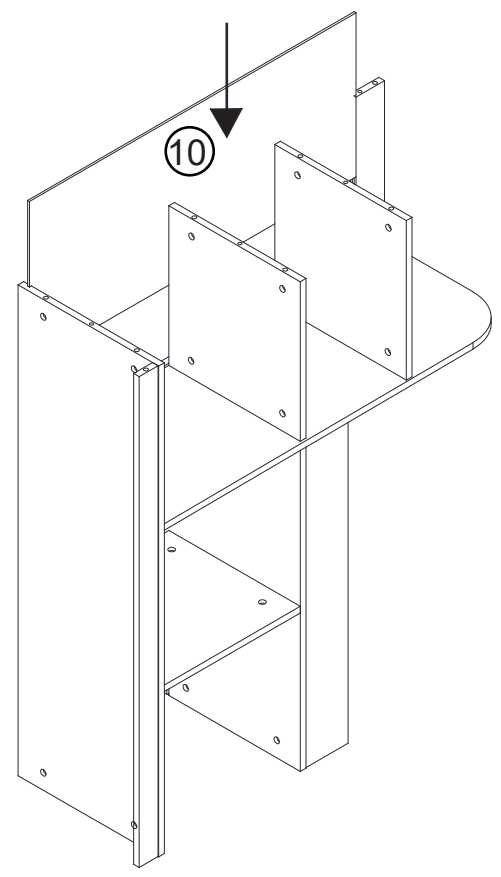
8



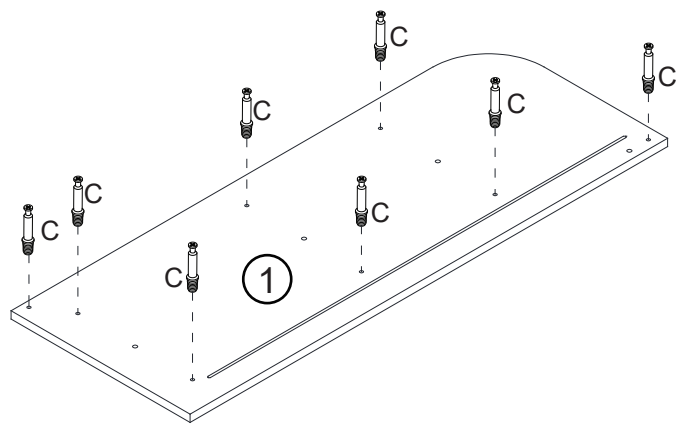
9



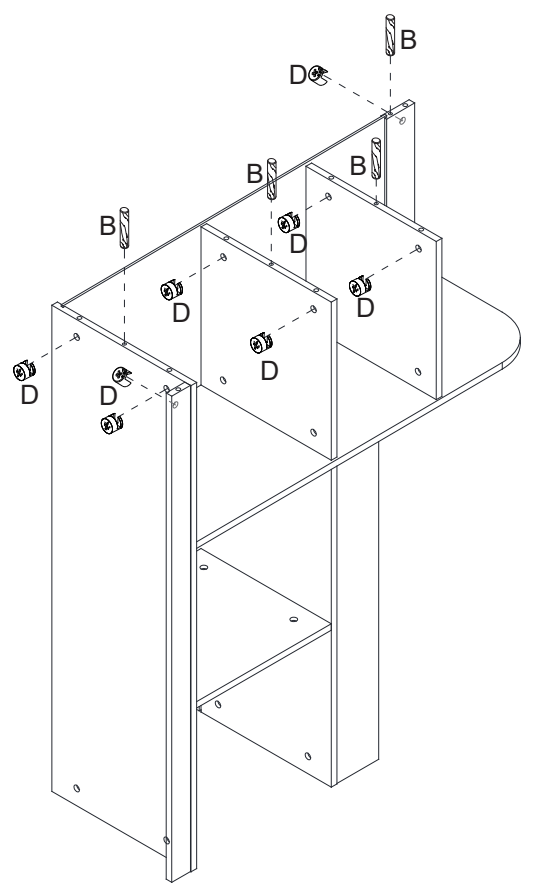
10



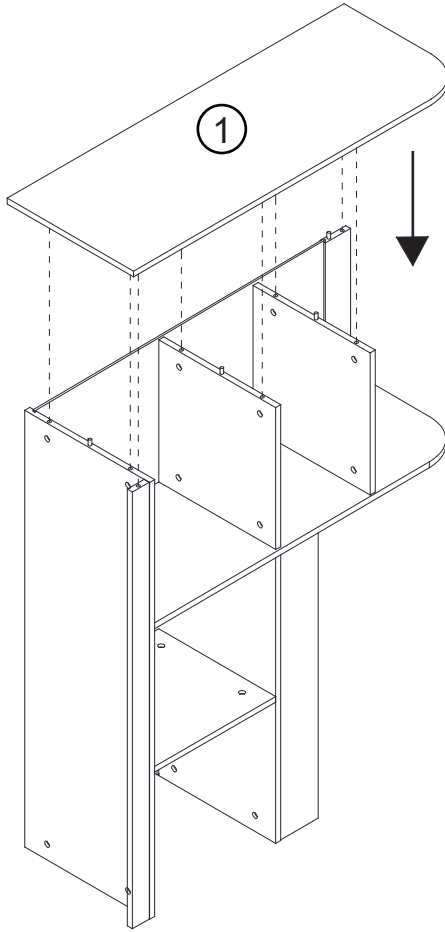
11



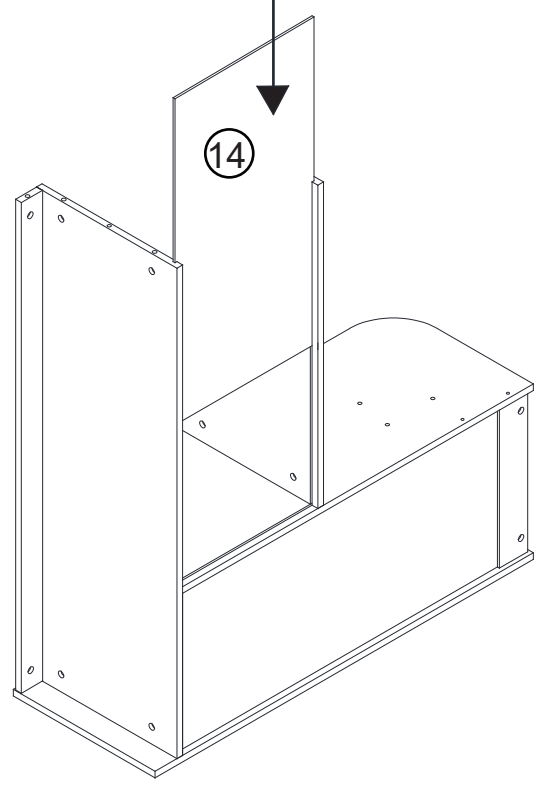
12



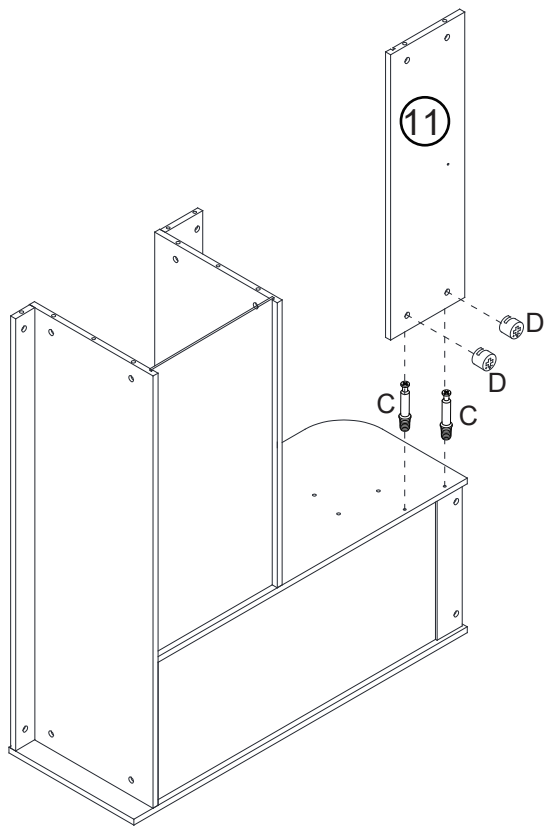
13



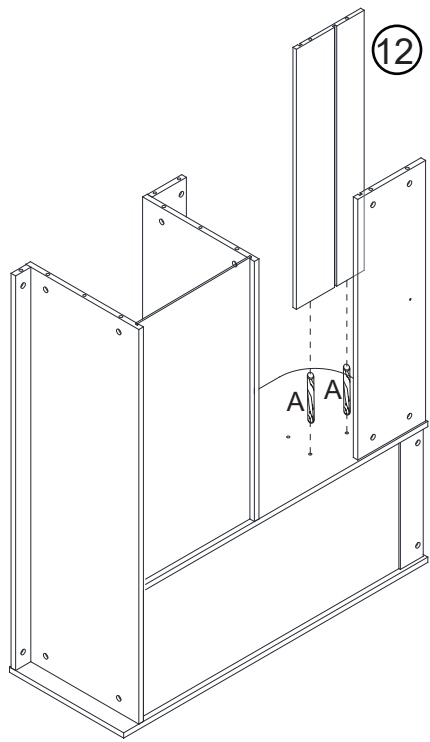
14



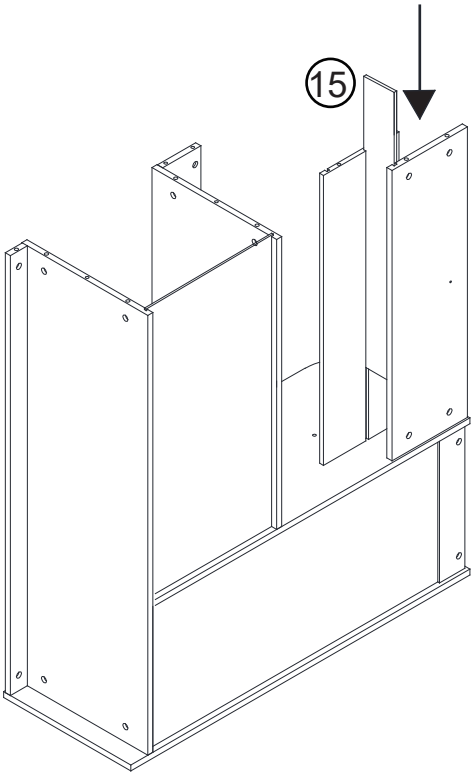
15



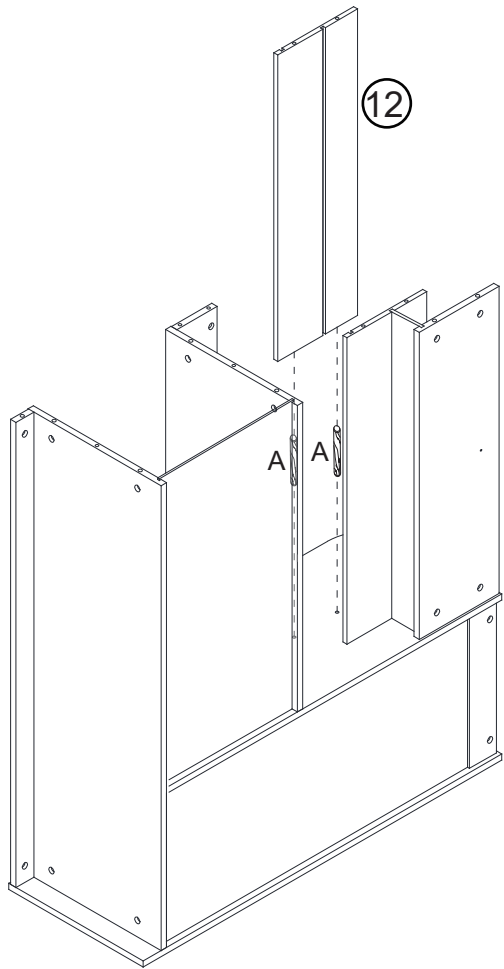
16



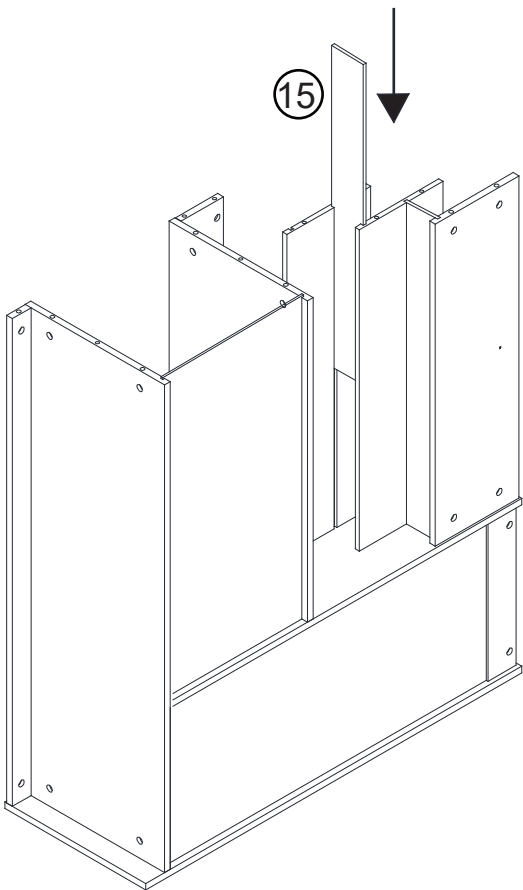
17



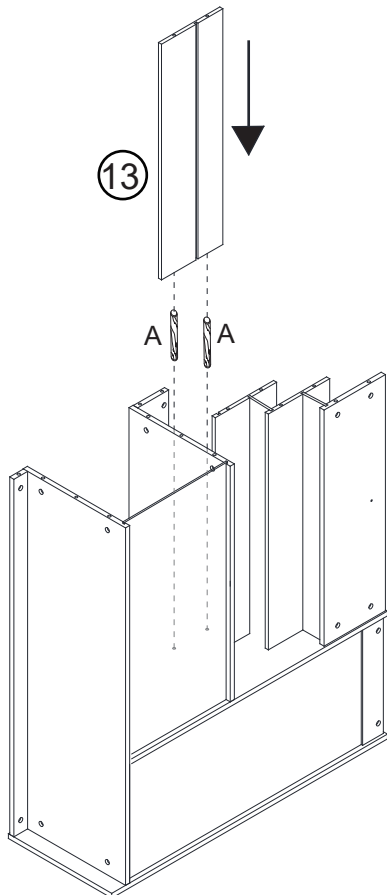
18



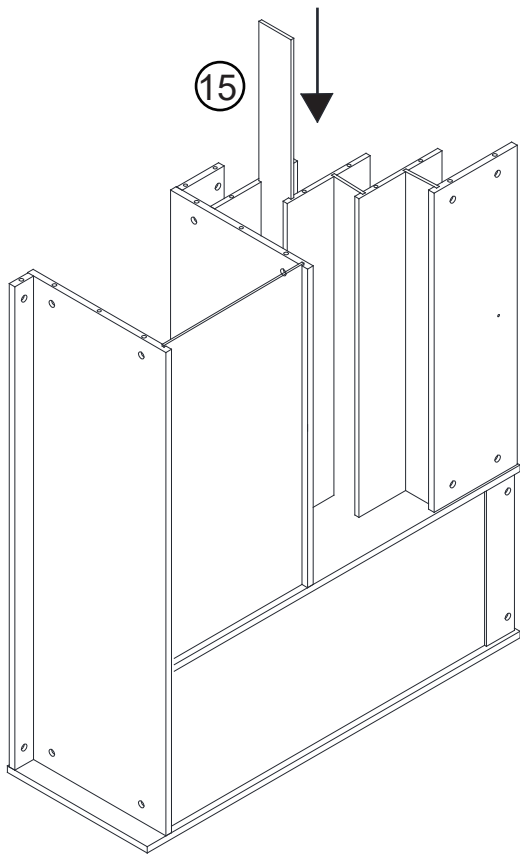
19



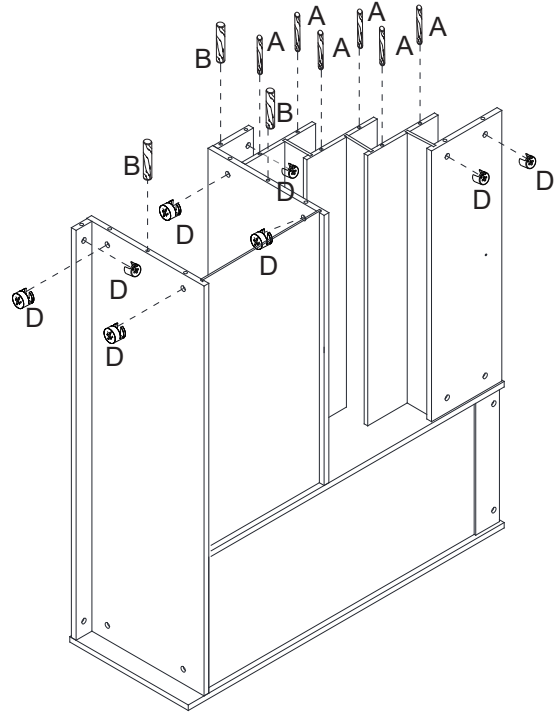
20



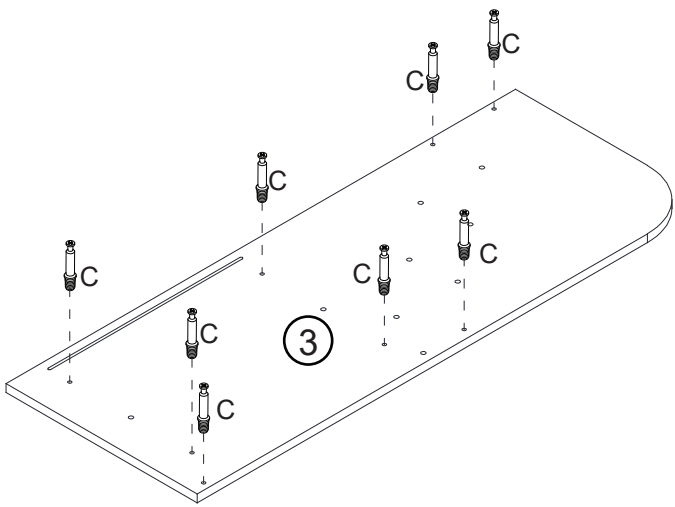
21



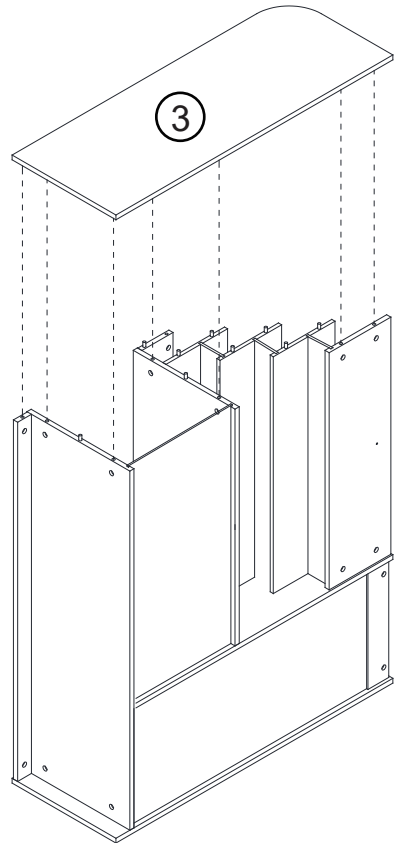
22



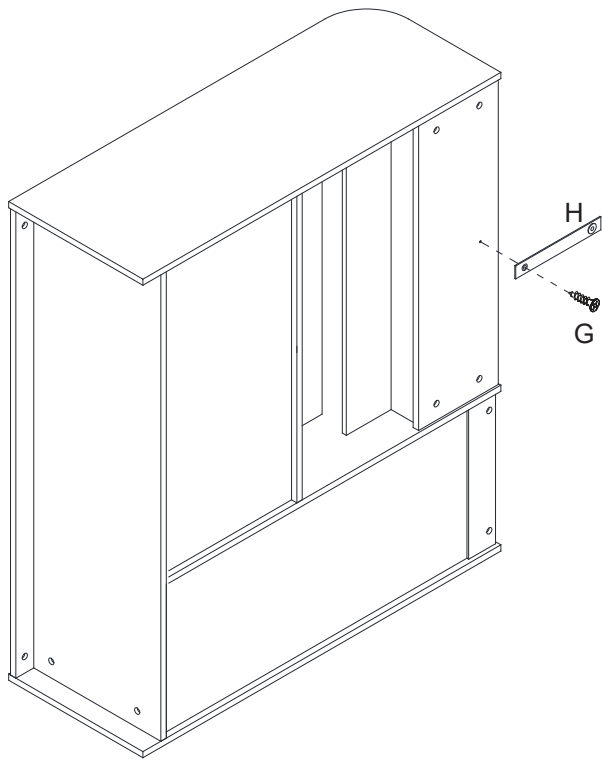
23



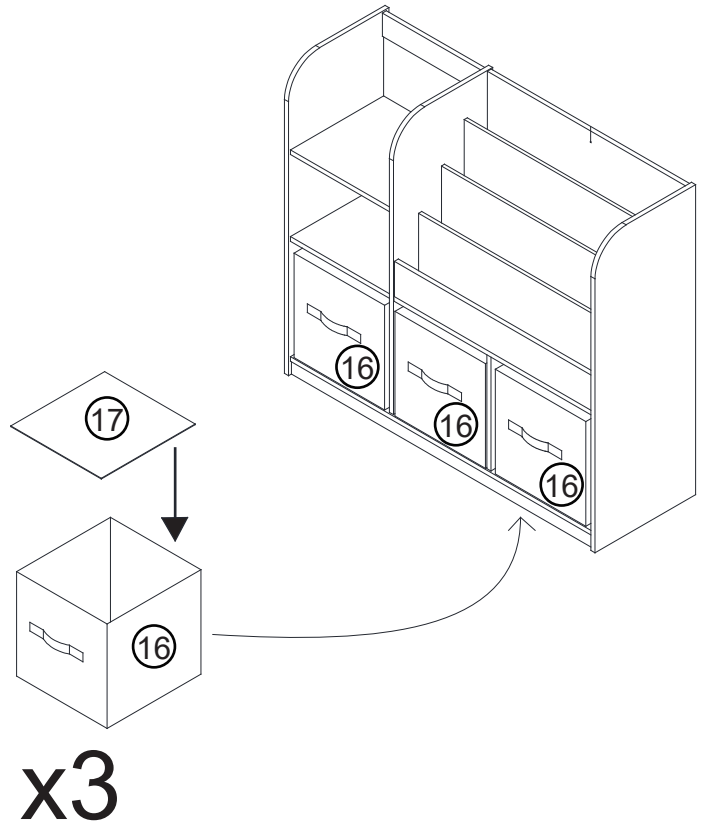
24



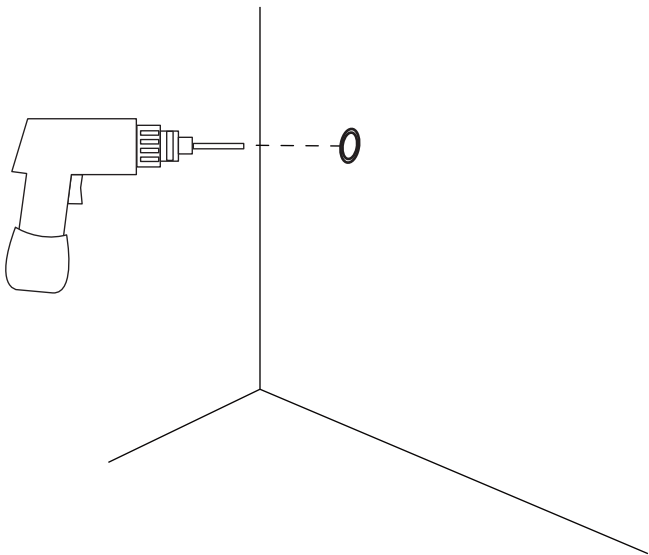
25



26



27



28

