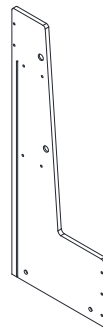
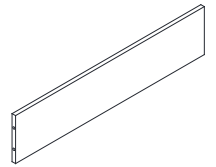


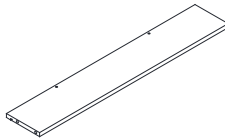
①x1



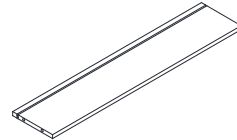
②x1



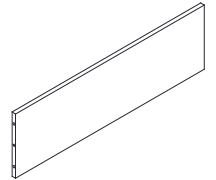
③x1



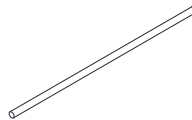
④x1



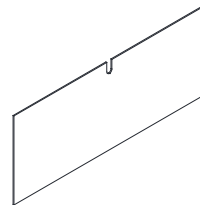
⑤x1



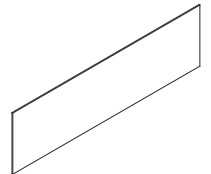
⑥x1



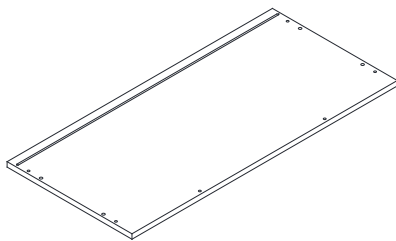
⑦x2



⑧x1



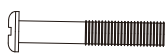
⑨x2



⑩x1



⑪x4



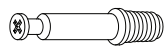
M6x40

Ax16



Ø10x10

Bx16



M6x38

Cx8



Ø12x10

Dx8



M6x25

Ex6

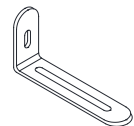


Fx1



M4x30

Gx1



Hx1



M4x10

Ix21



Jx4



M3x14

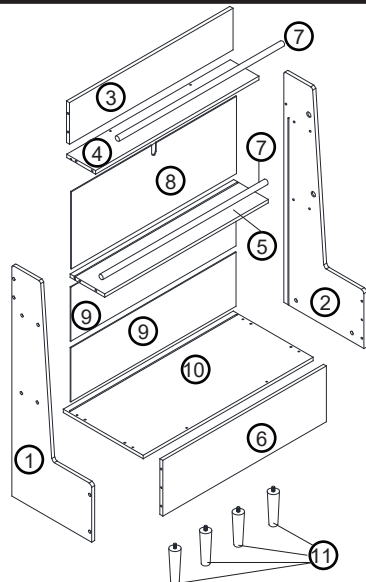
Kx8



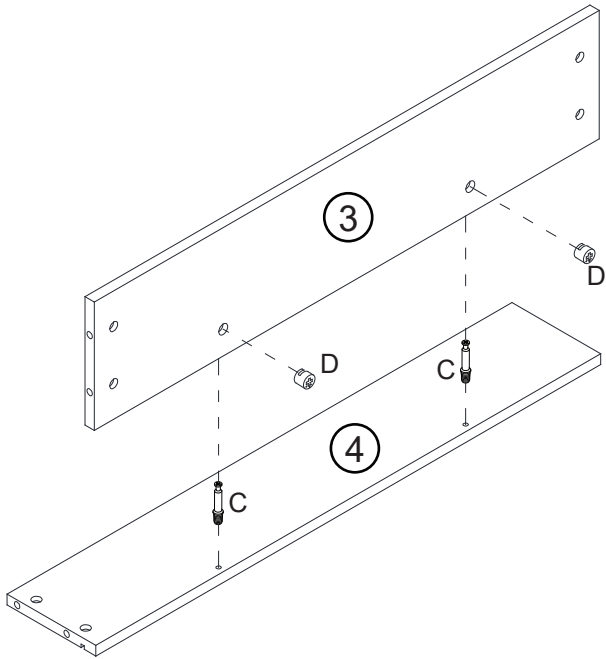
Lx8



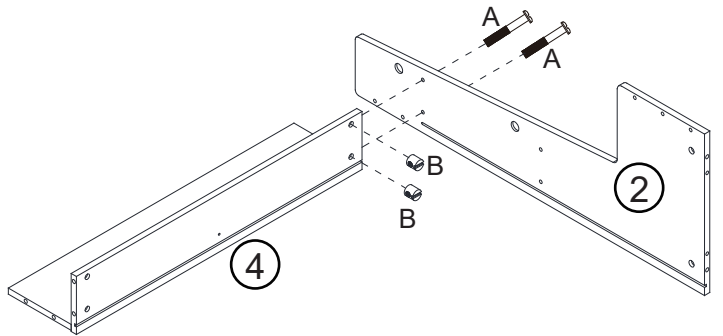
Mx1



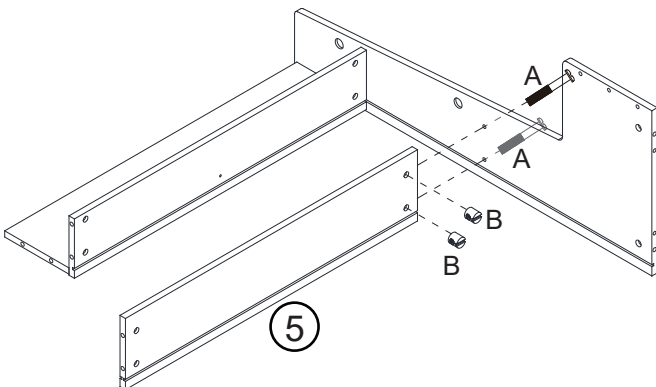
1



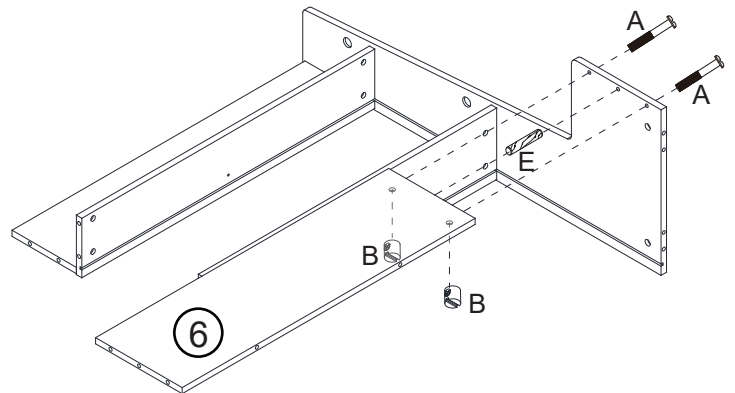
2



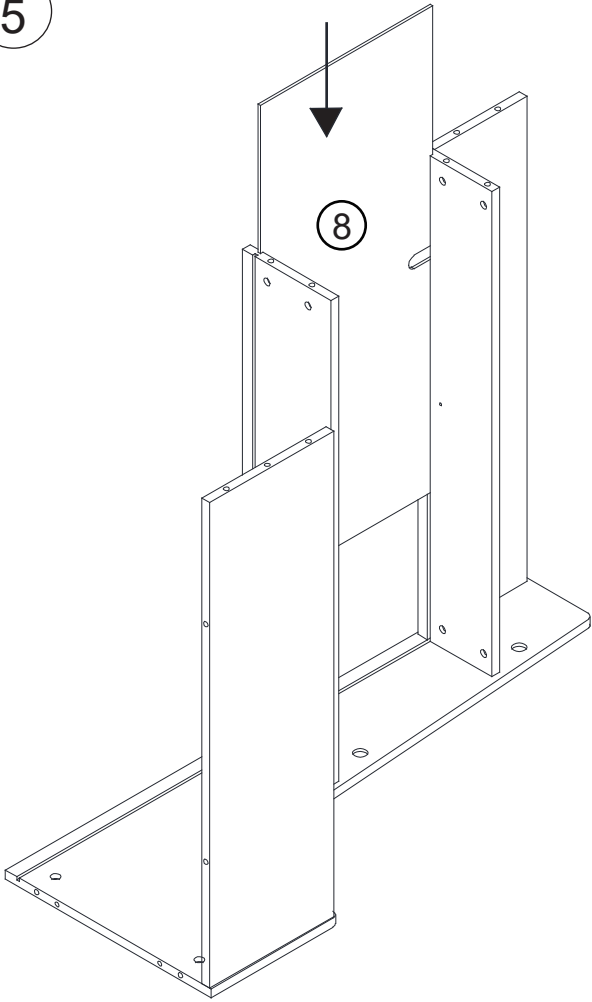
3



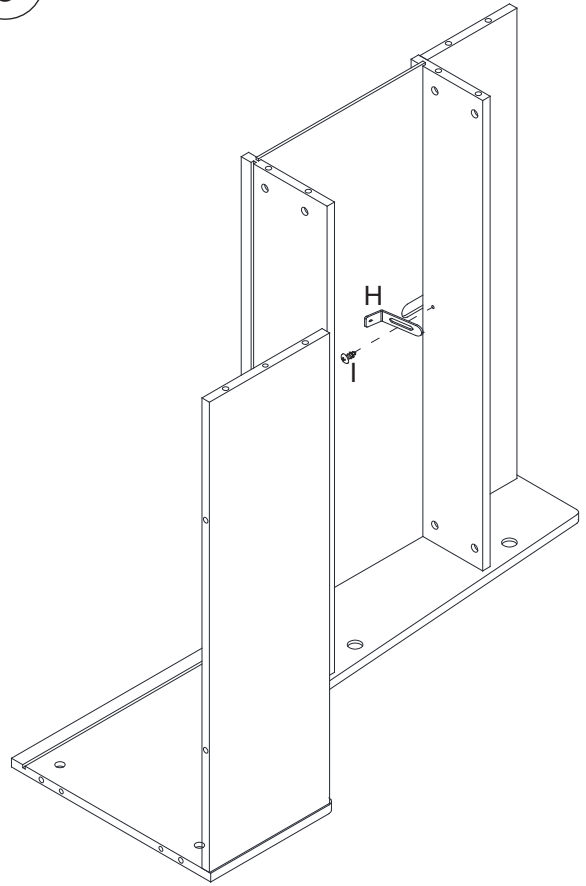
4



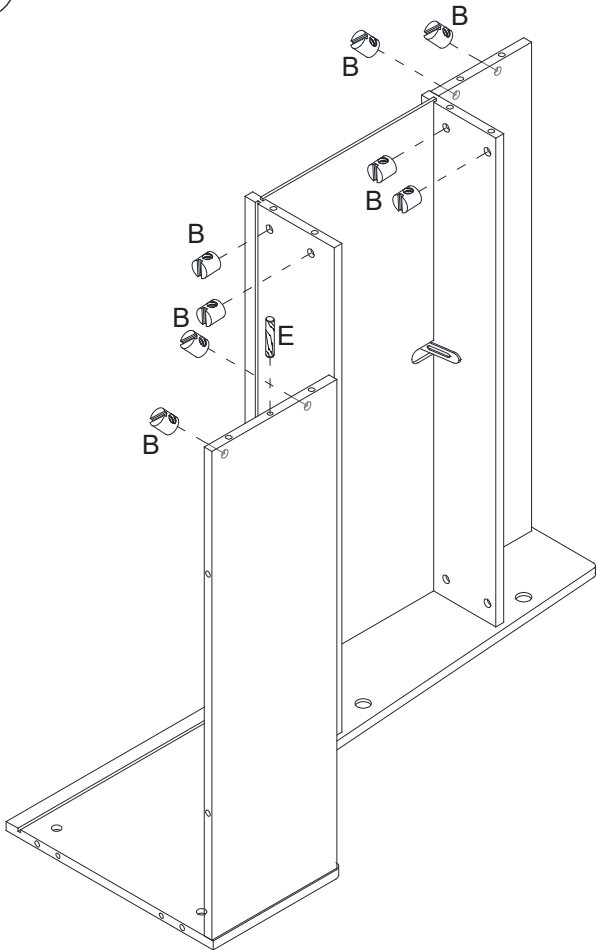
5



6

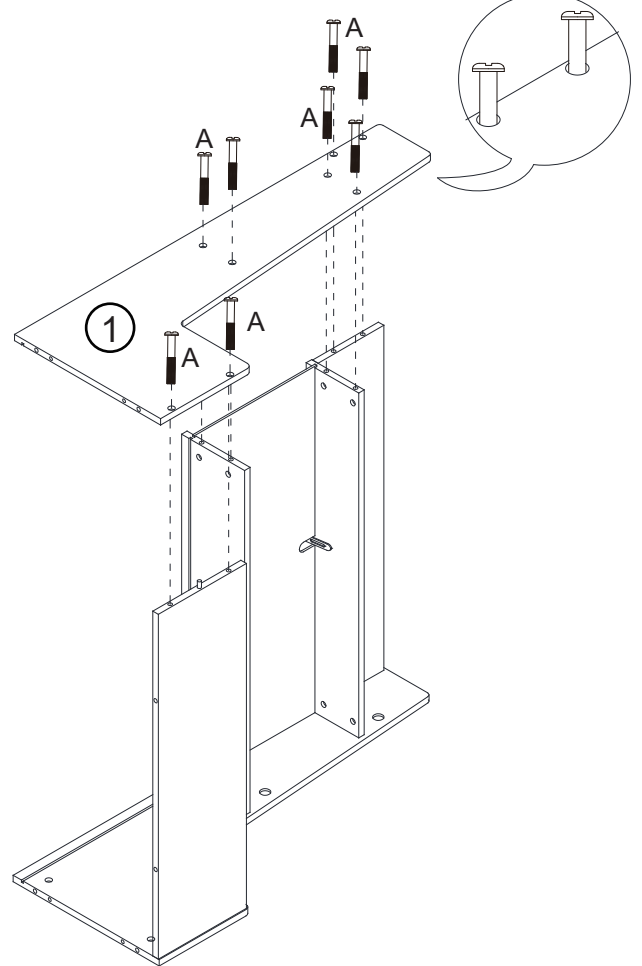


7



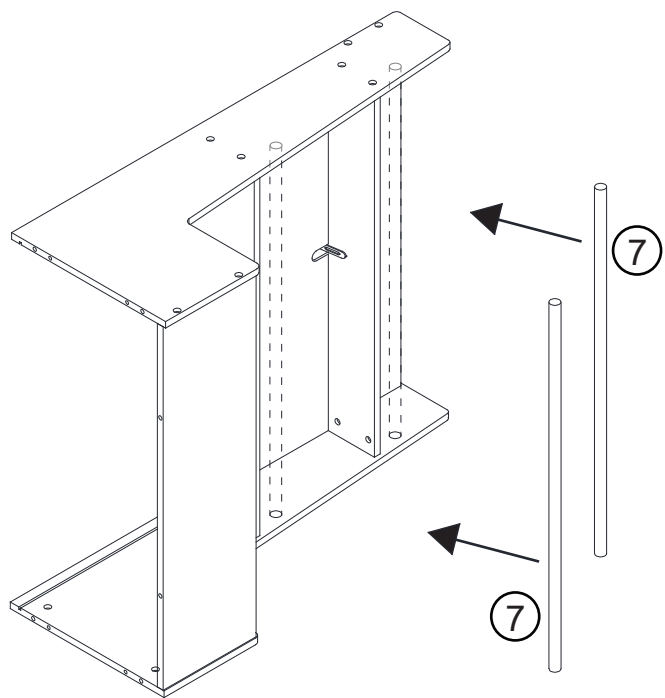
8

Do not tighten screw A at this step

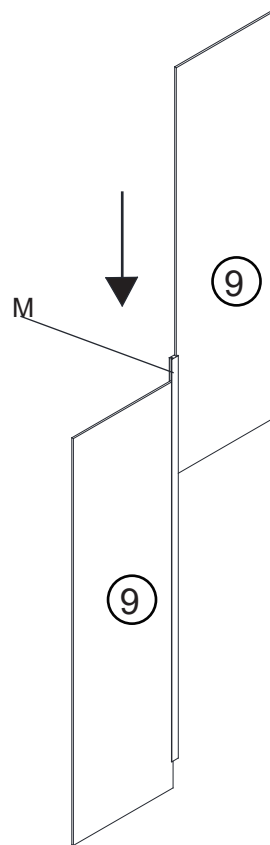


9

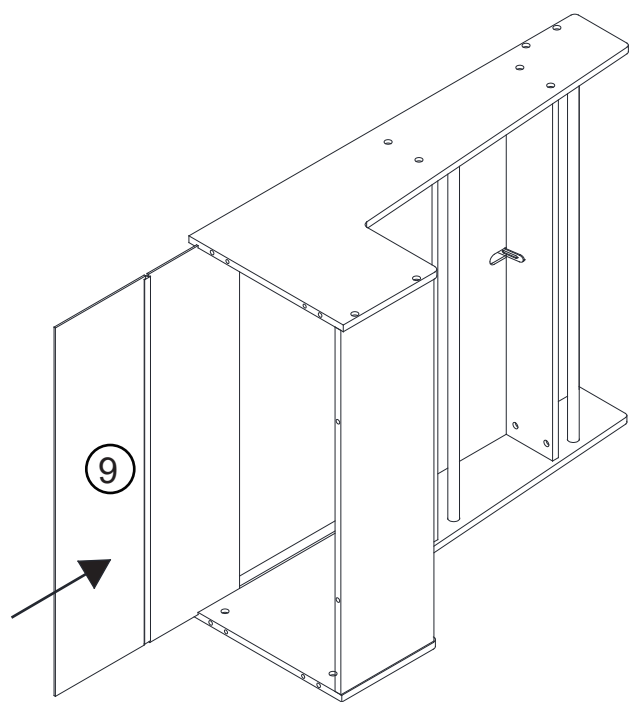
Tighten screw A after fixing panel 7.



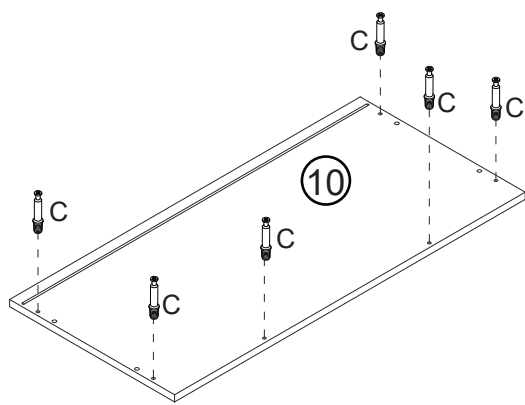
10



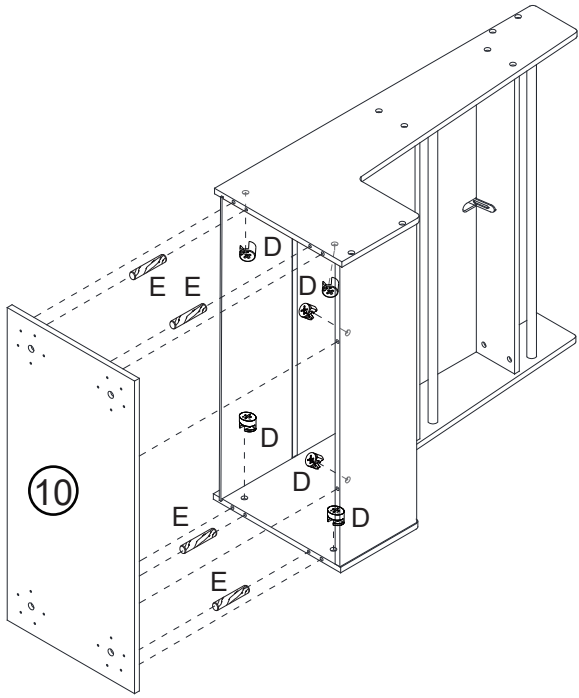
11



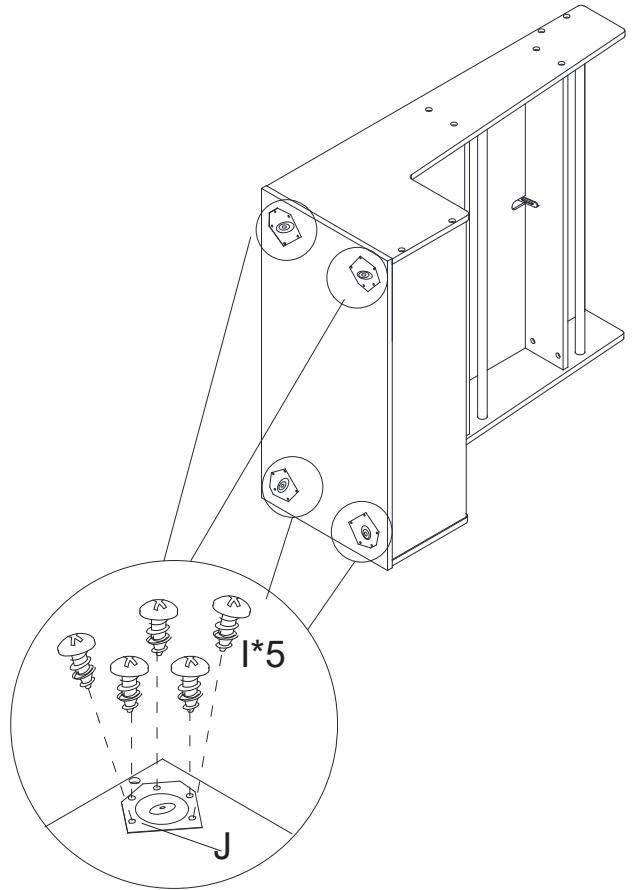
12



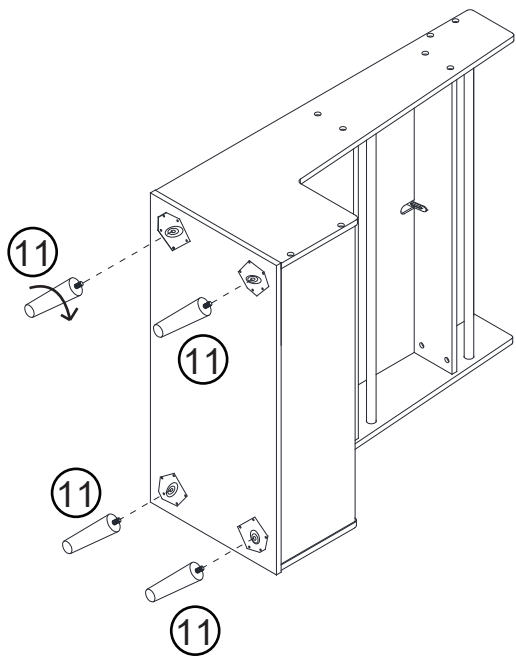
13



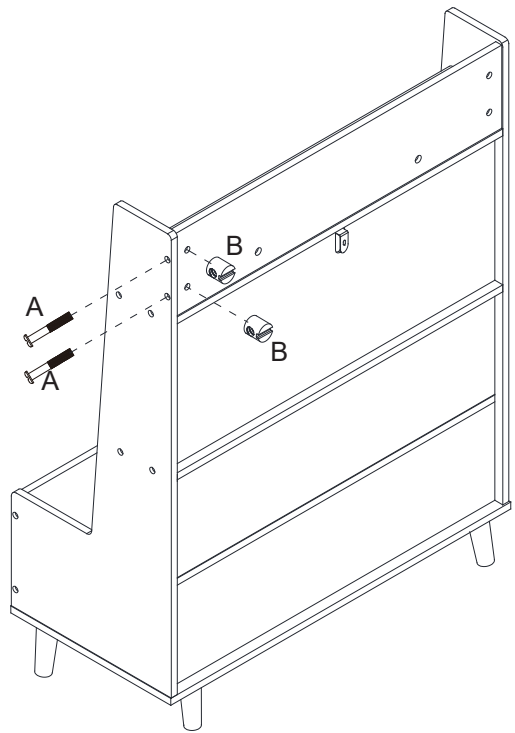
14



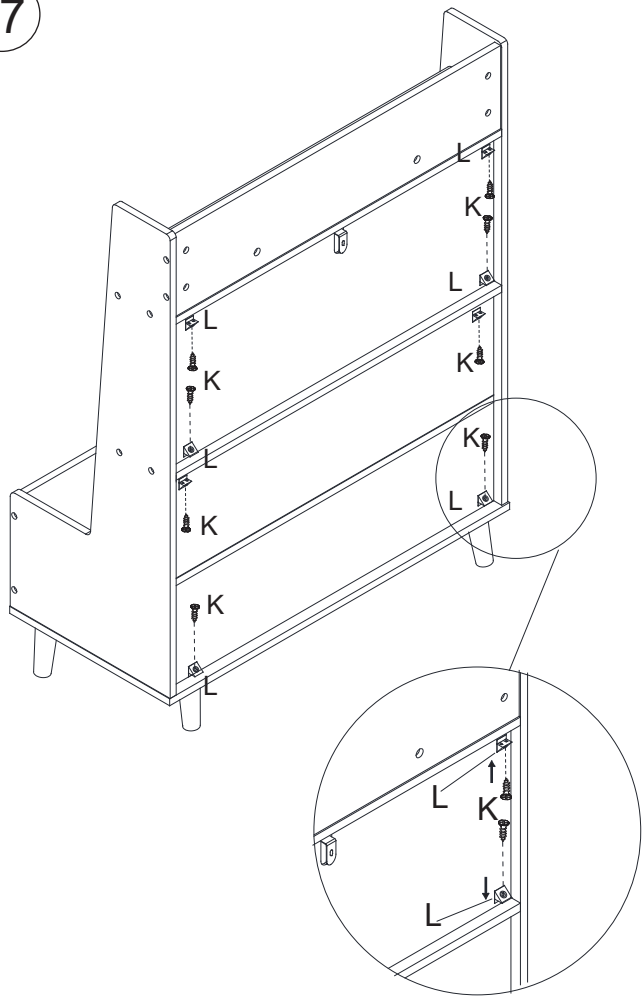
15



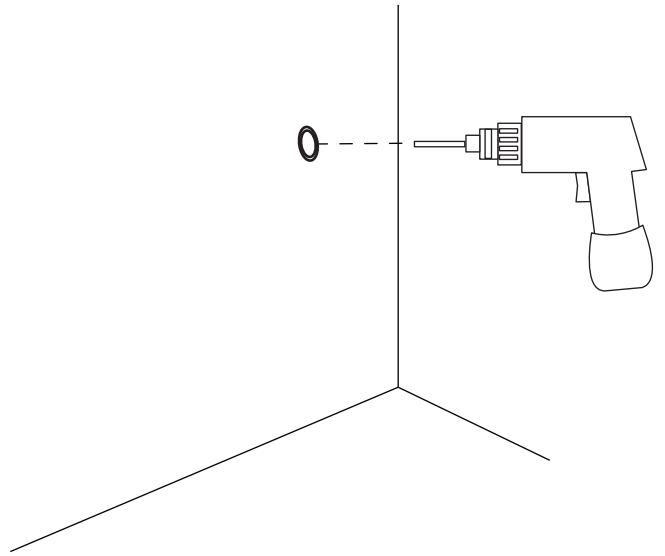
16



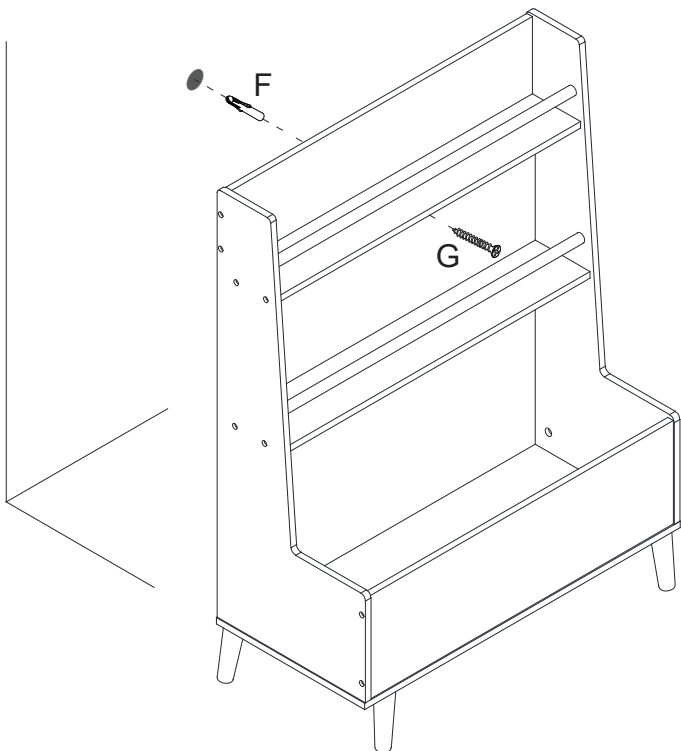
17



18



19



20

