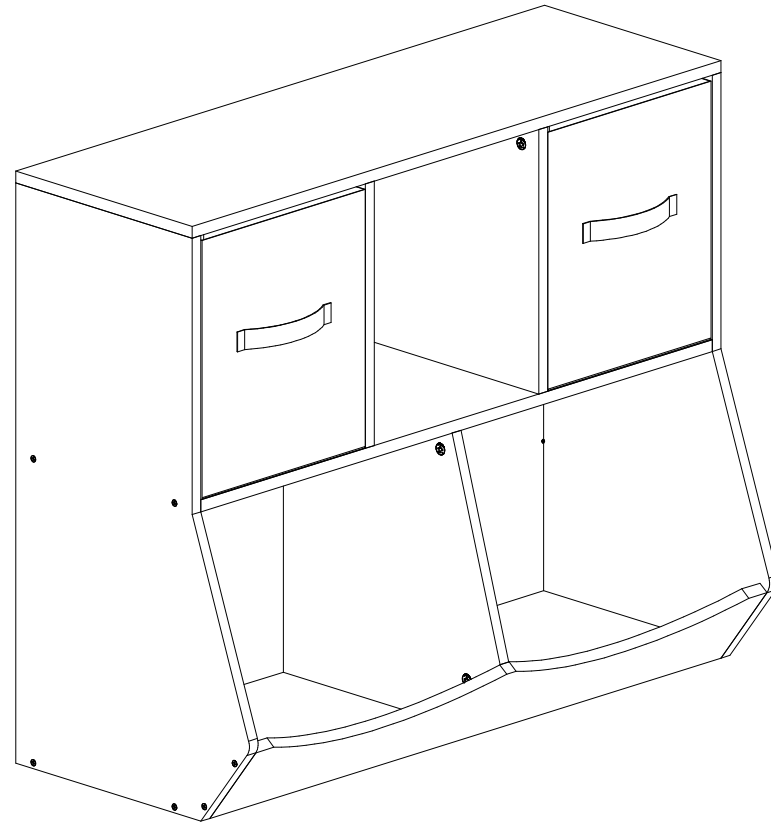
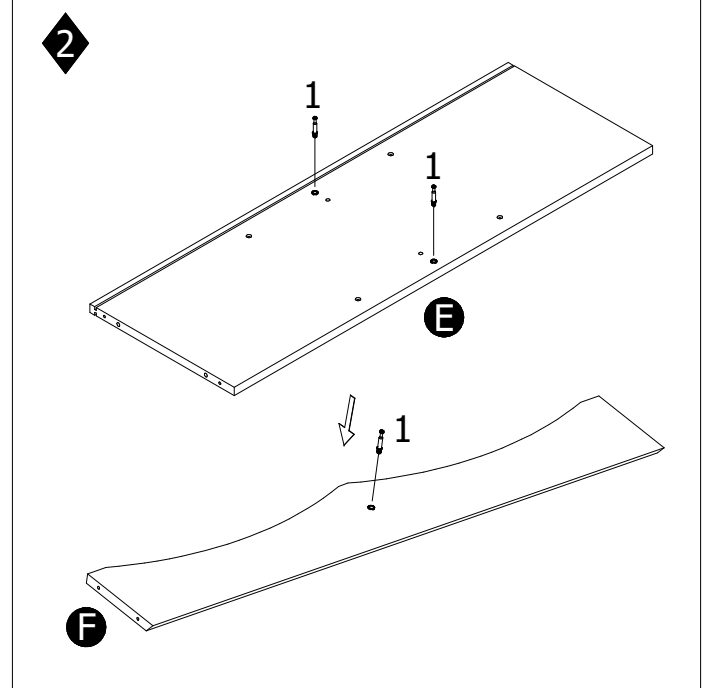
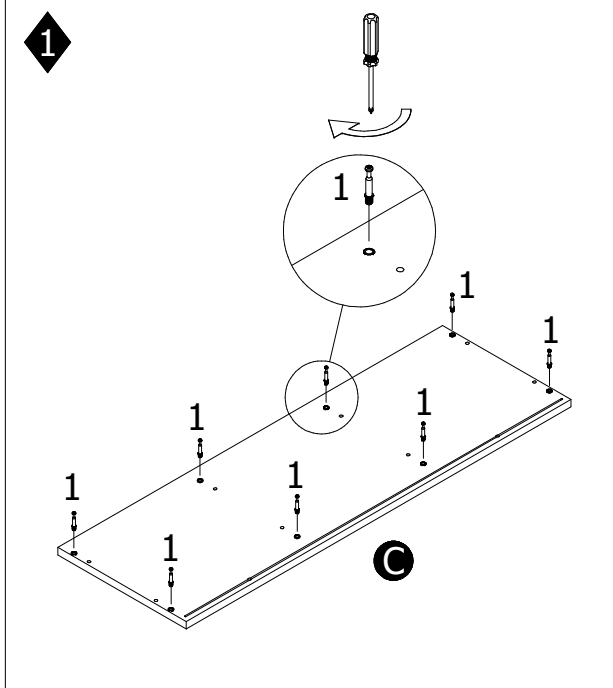
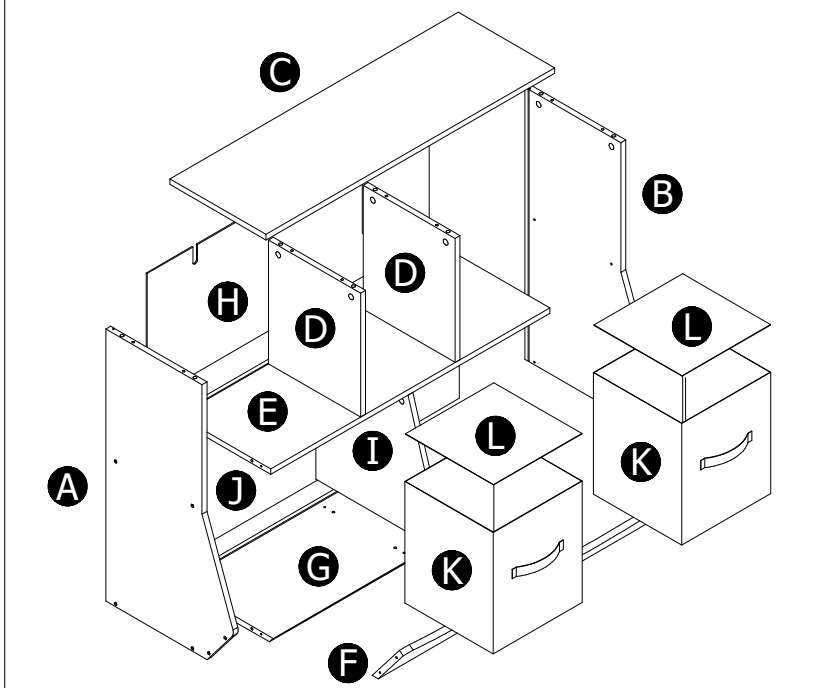
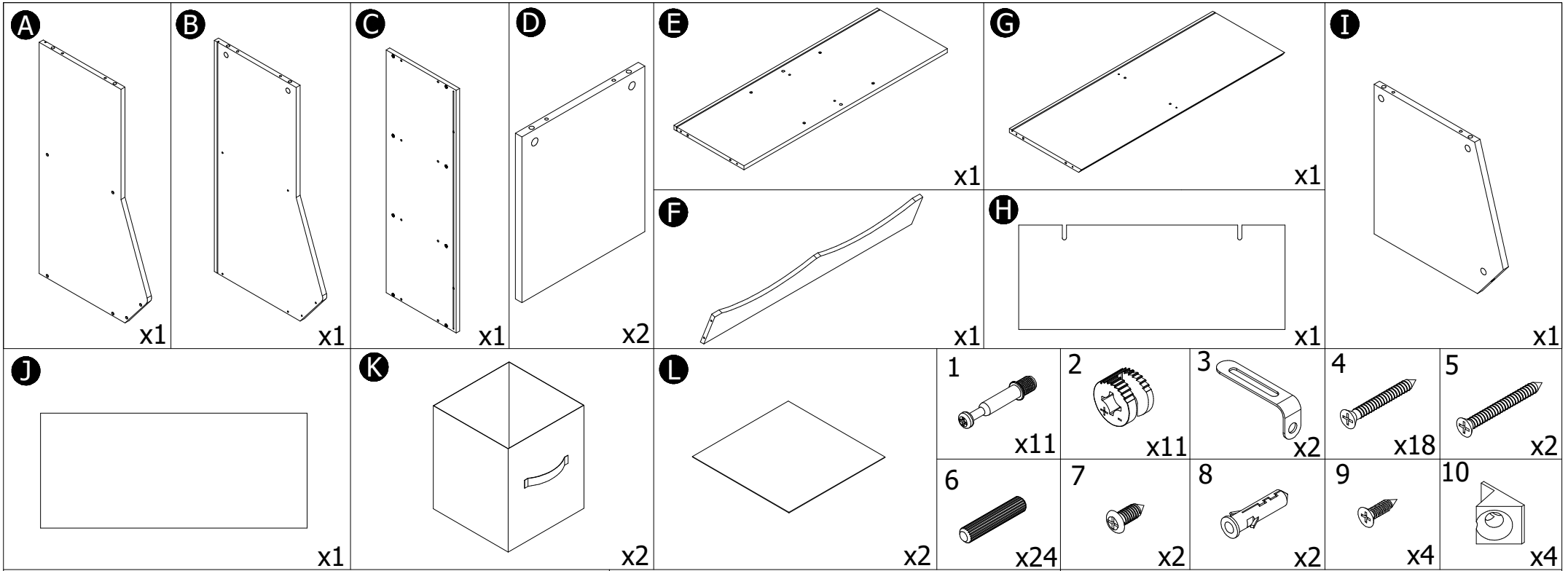
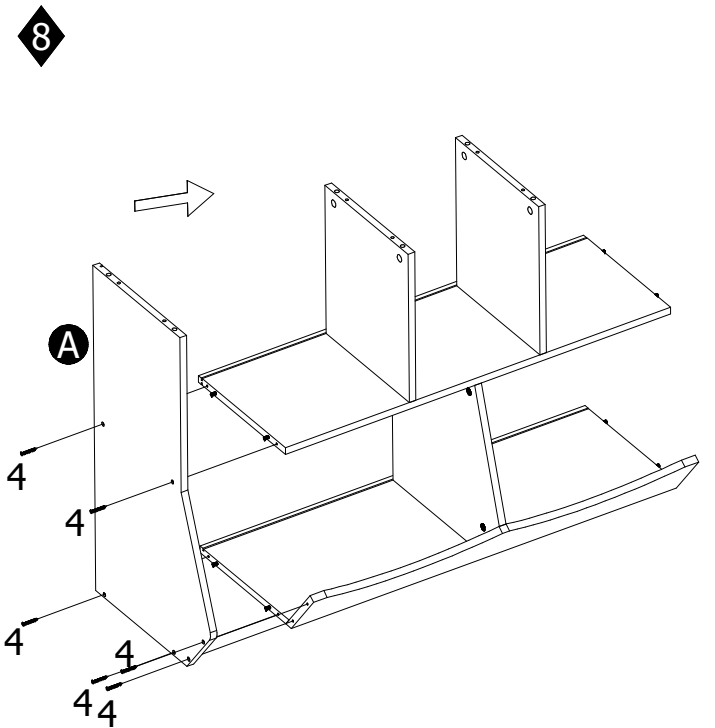
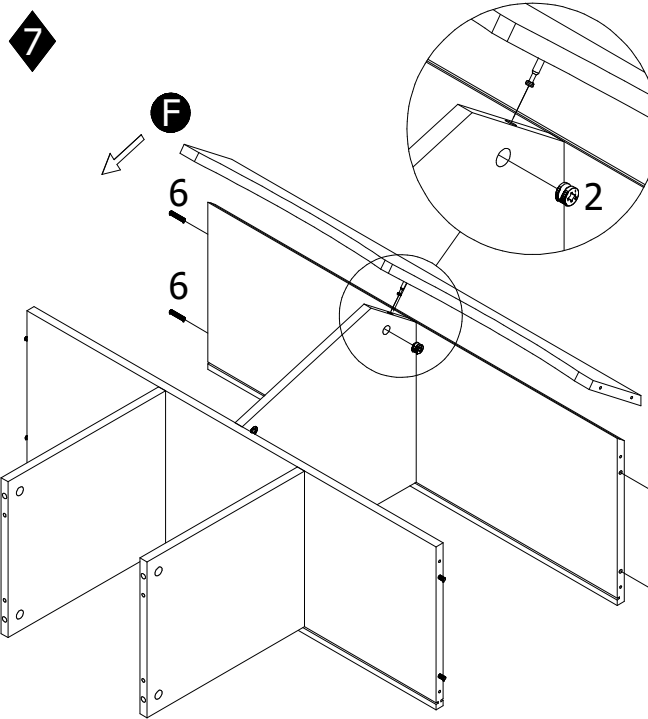
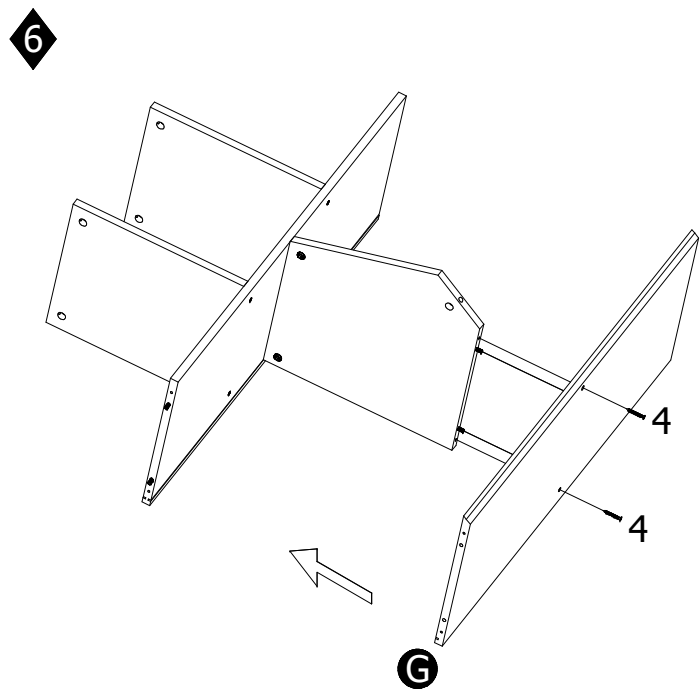
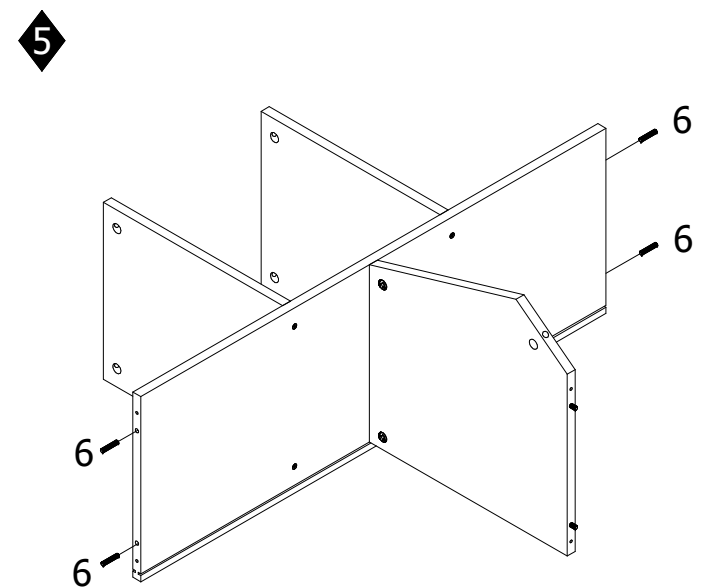
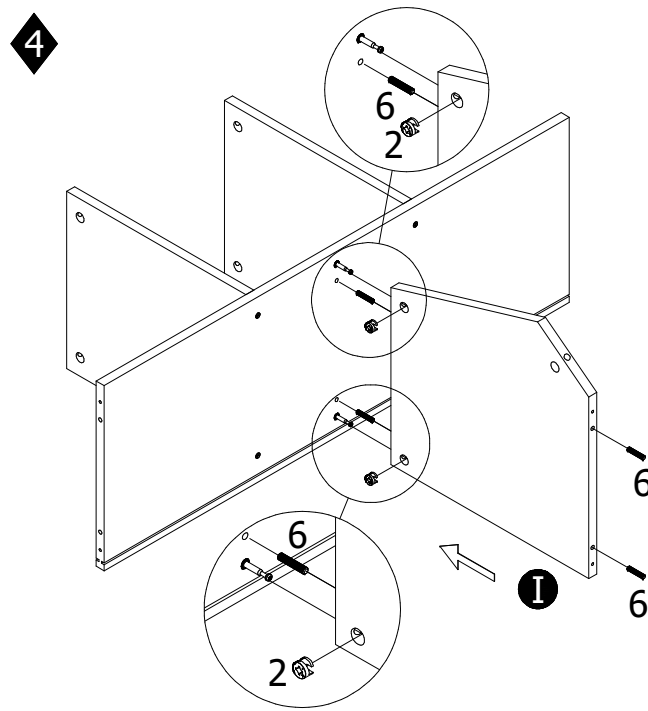
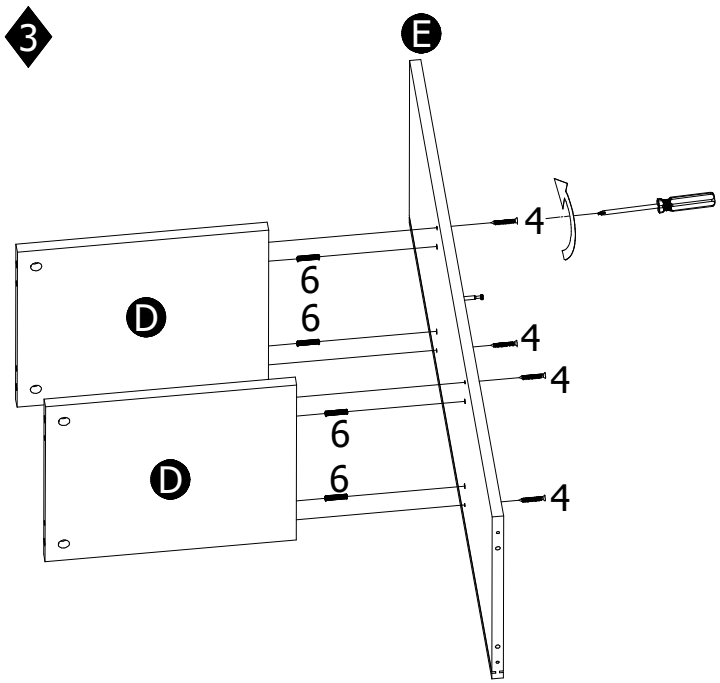
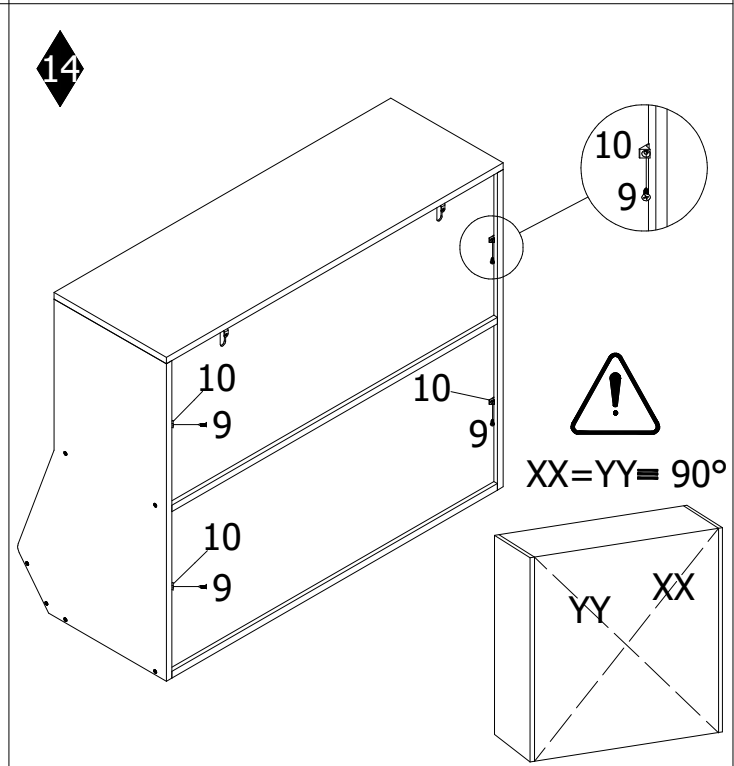
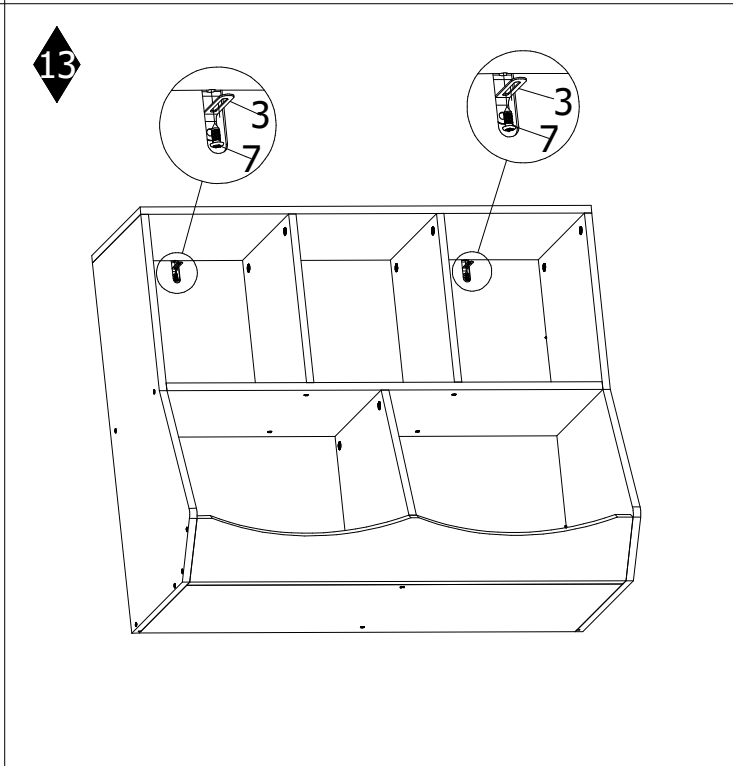
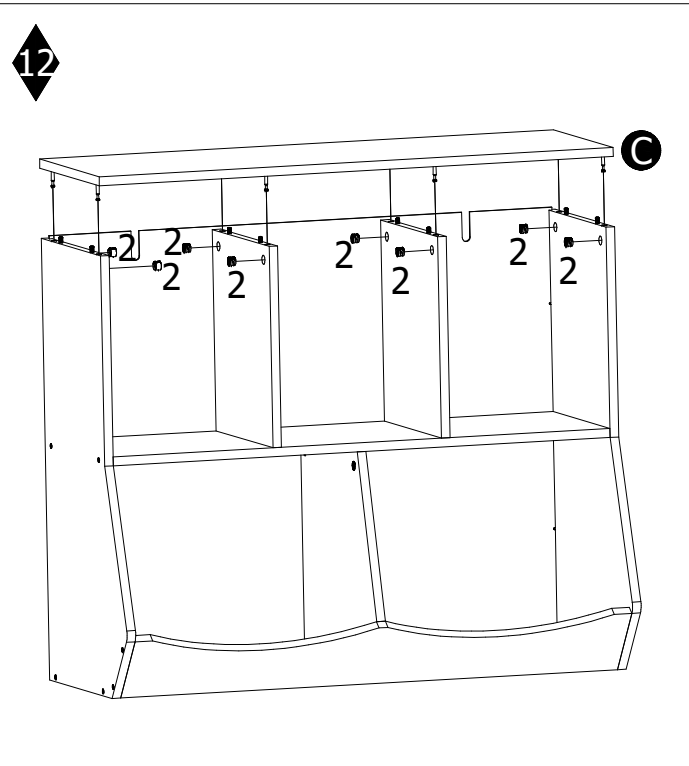
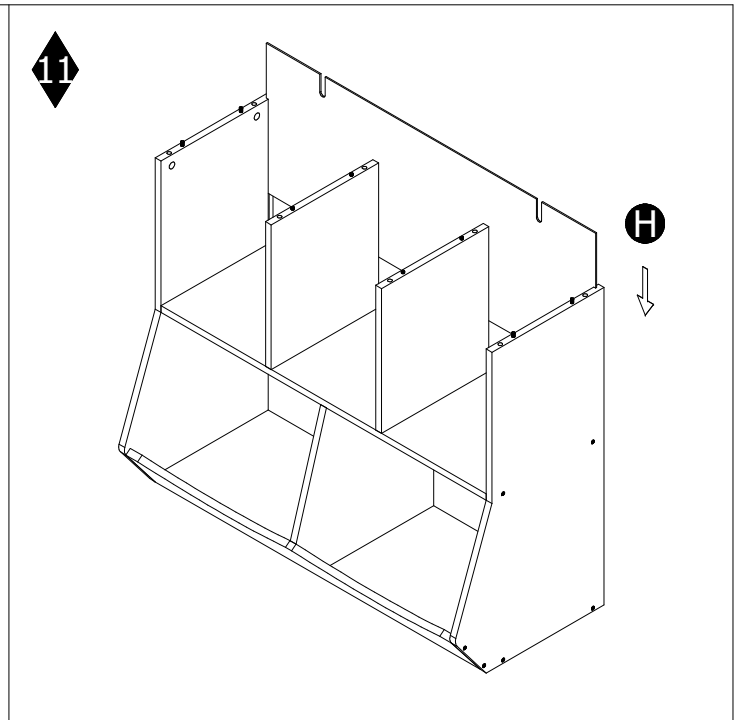
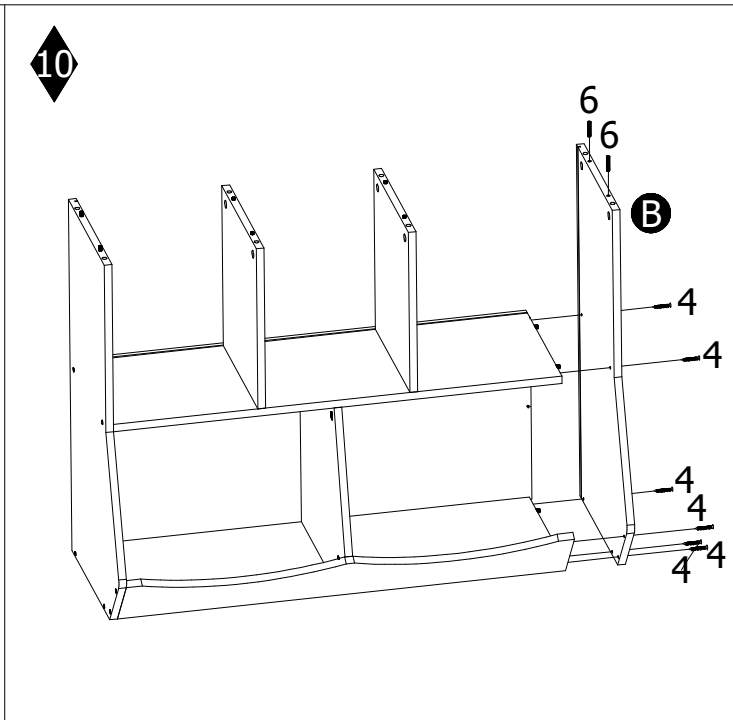
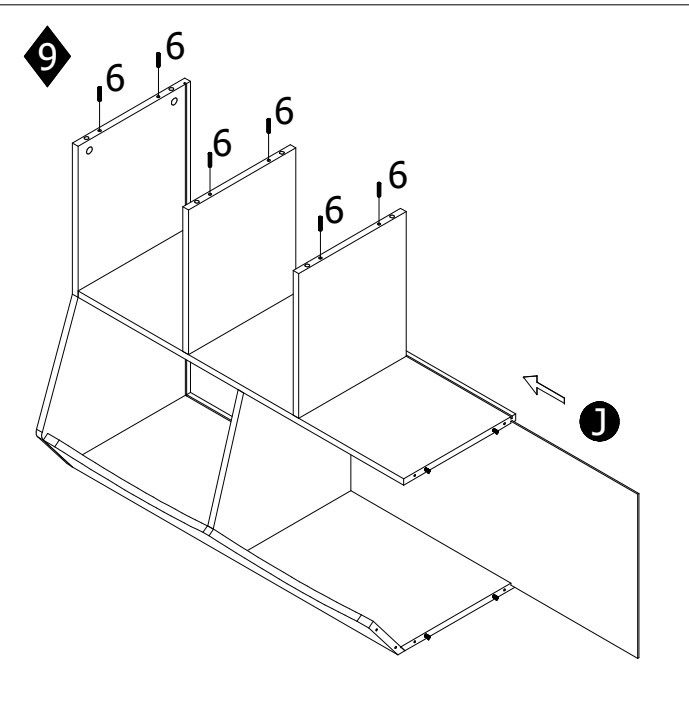


ASSEMBLY INSTRUCTION



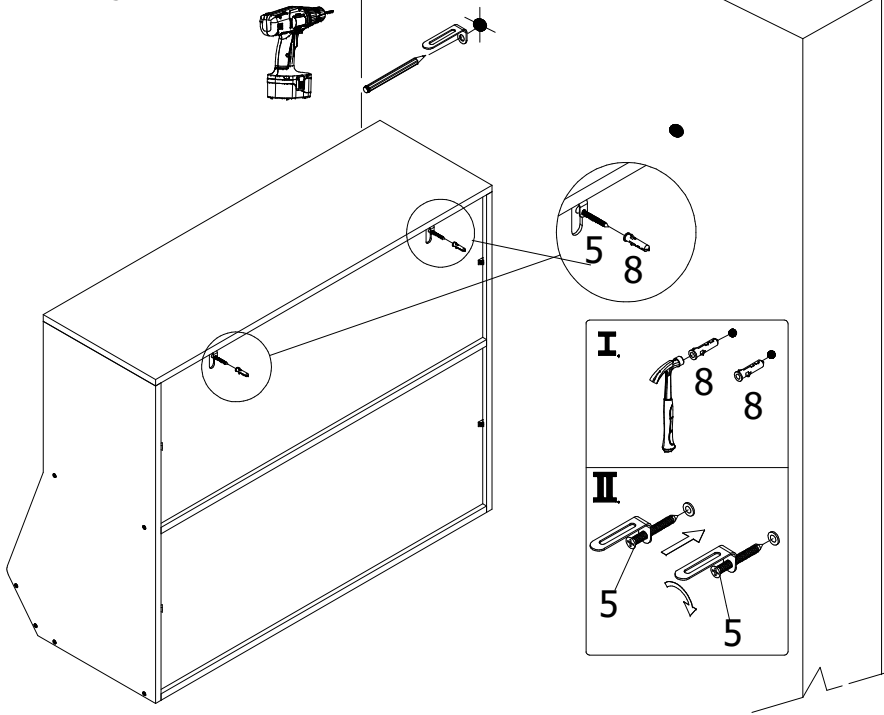




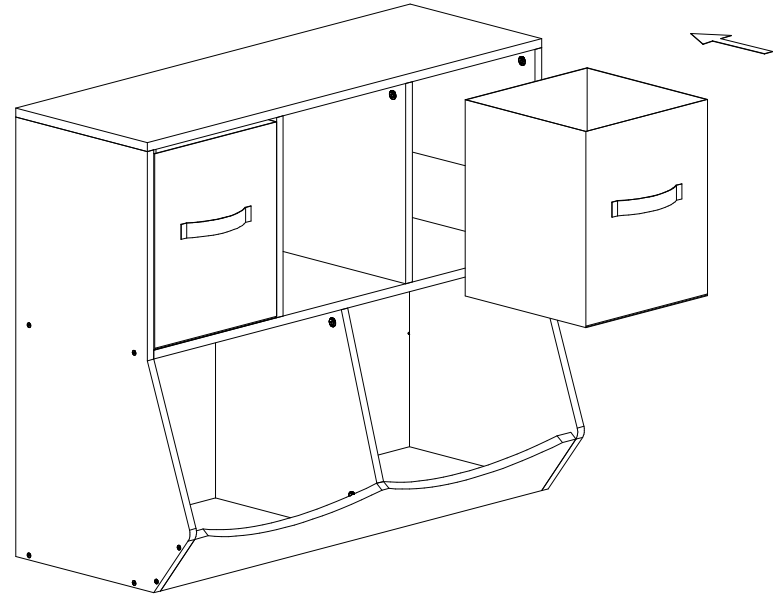


15

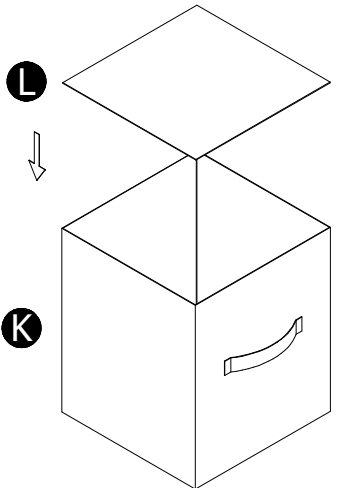
Go through the L bracket and use pencil marking two holes position before drilling.



17



16



x2

