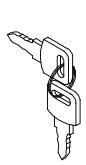
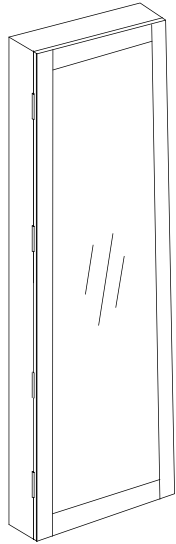


Jewelry Organizer Instruction

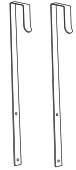


CLUTTERFREE™

PARTS LIST



Door Key
2 PCs



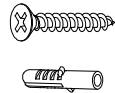
Door Mount
2 PCs



Mounting
Template



Ø4x15mm
Screws
4 PCs



Ø4x35mm
Screw and
Anchor Set
4 PCs

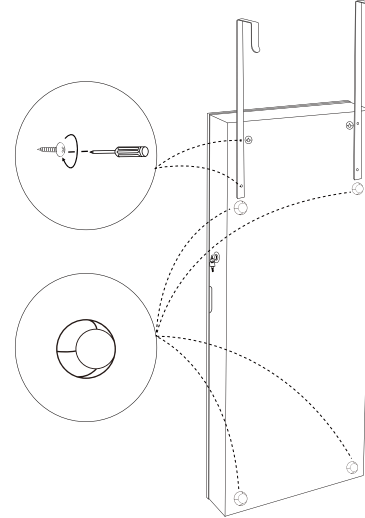


Rubber
Bumper
4 PCs

DOOR MOUNTING INSTRUCTIONS

Step 1

Use the four Ø4x15mm screws to attach the two door mounts to the back of the Jewelry Organizer.

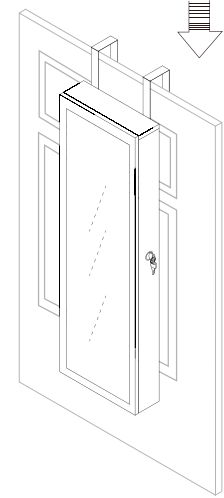


Step 2

Place two rubber bumpers on the back top side of the organizer, and two on the back bottom side.

Step 3

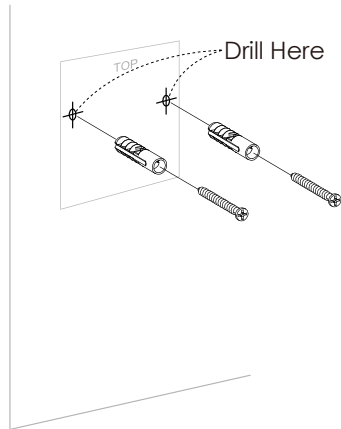
Hang the Jewelry Organizer over the top of the door.



WALL MOUNTING INSTRUCTIONS

Step 1

Use the provided MOUNTING TEMPLATE to assist mounting the organizer on the wall. Make sure the TEMPLATE is level prior to drilling anchor holes.

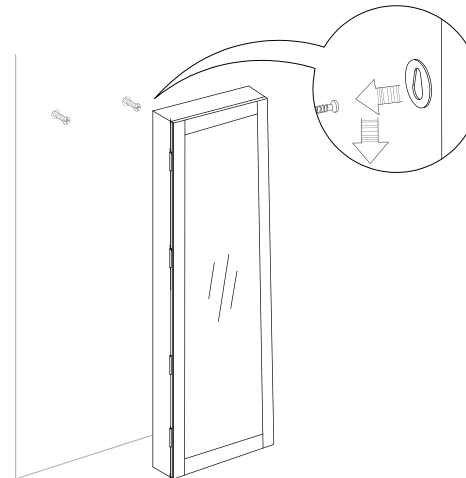


Step 2

Using a Ø3/16" drill bit, drill a hole at each of the marked "Drill Here" locations on the TEMPLATE.

Step 3

Insert the two M6 plastic anchors.



Step 4

Screw in the two screws supplied, leaving the screw heads approximately 1/8" from the wall.

Step 5

Align the wide opening part of the mounting tabs on the back of the armoire with the screw heads and slide down slightly to lock organizer in place.

Material Content: MDF
Maximum Load Weight: 35kgs
Made in China

USE & CARE

- Wipe clean with a damp cloth

Simple Organizing Solutions to Make Life Easier.

OTDJO004
07/21/2020