

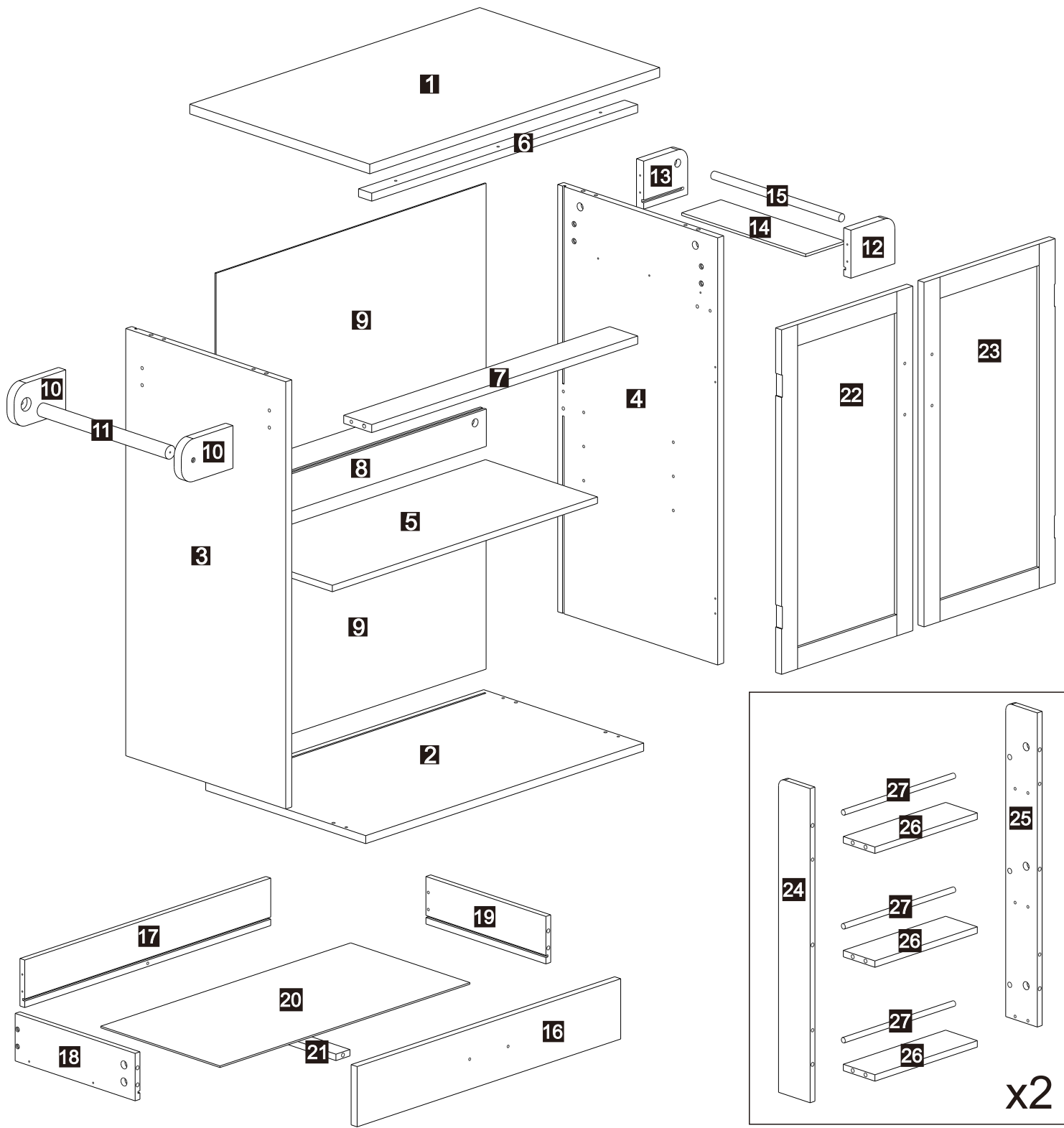
Attention please :

**Improper use of screws may cause the product surface damage!
Please be careful when installing.**

To prevent you from confusing the accessories and boards, Please do not mix the parts of different units when you buy two or more products at the same time.

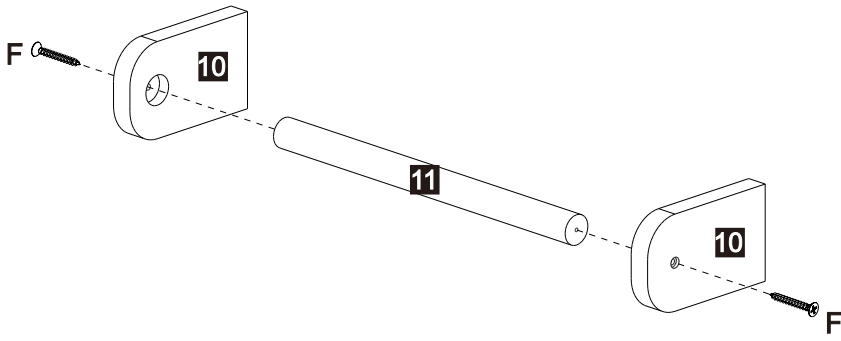
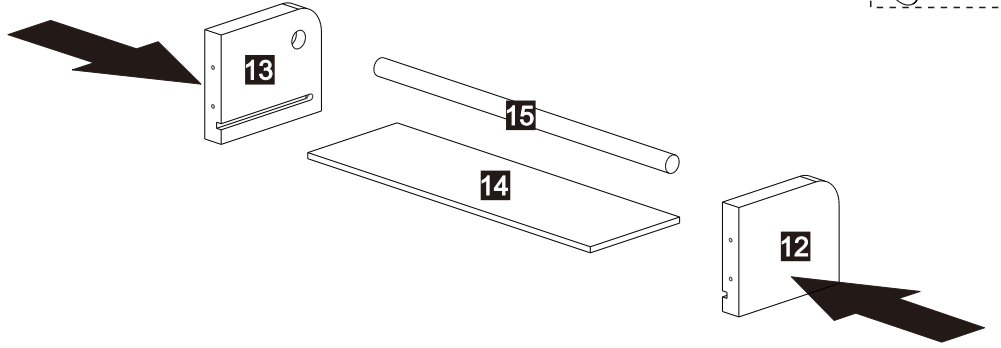
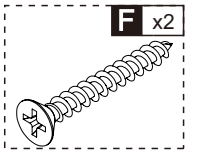
READ AND SAVE THIS INSTRUCTIONS FOR FUTURE USE

ASSEMBLY & INSTRUCTION MANUAL

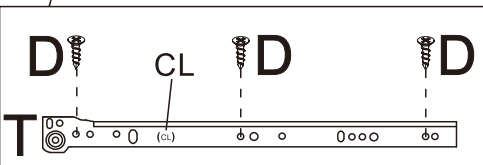
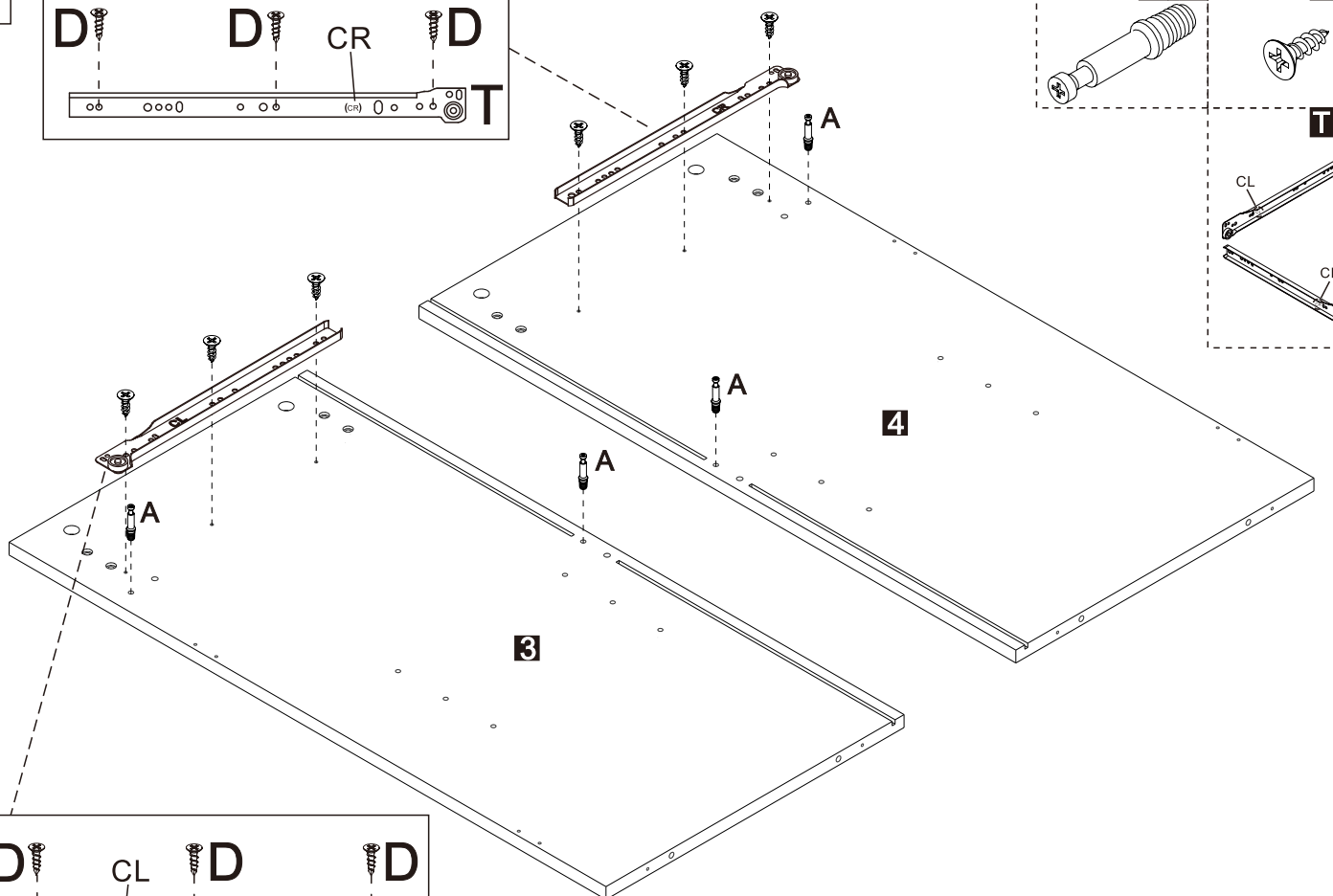
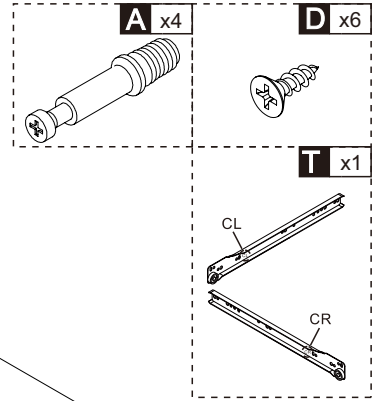
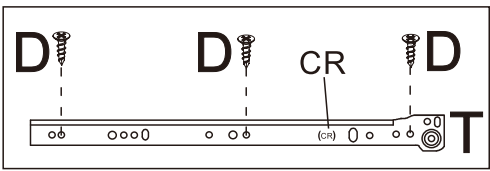


A x49	B x49	C x20	D x28	E x5	F x6	G x3
			3x12mm	4x30mm	4x40mm	4x25mm
H x16	I x4	J x8	K x1	L x3	M x6	N x1
5x12mm		5x40mm			4x20mm	
O x2	P x2	Q x4	R x2	S x2	T x1	
	2.5x14mm					

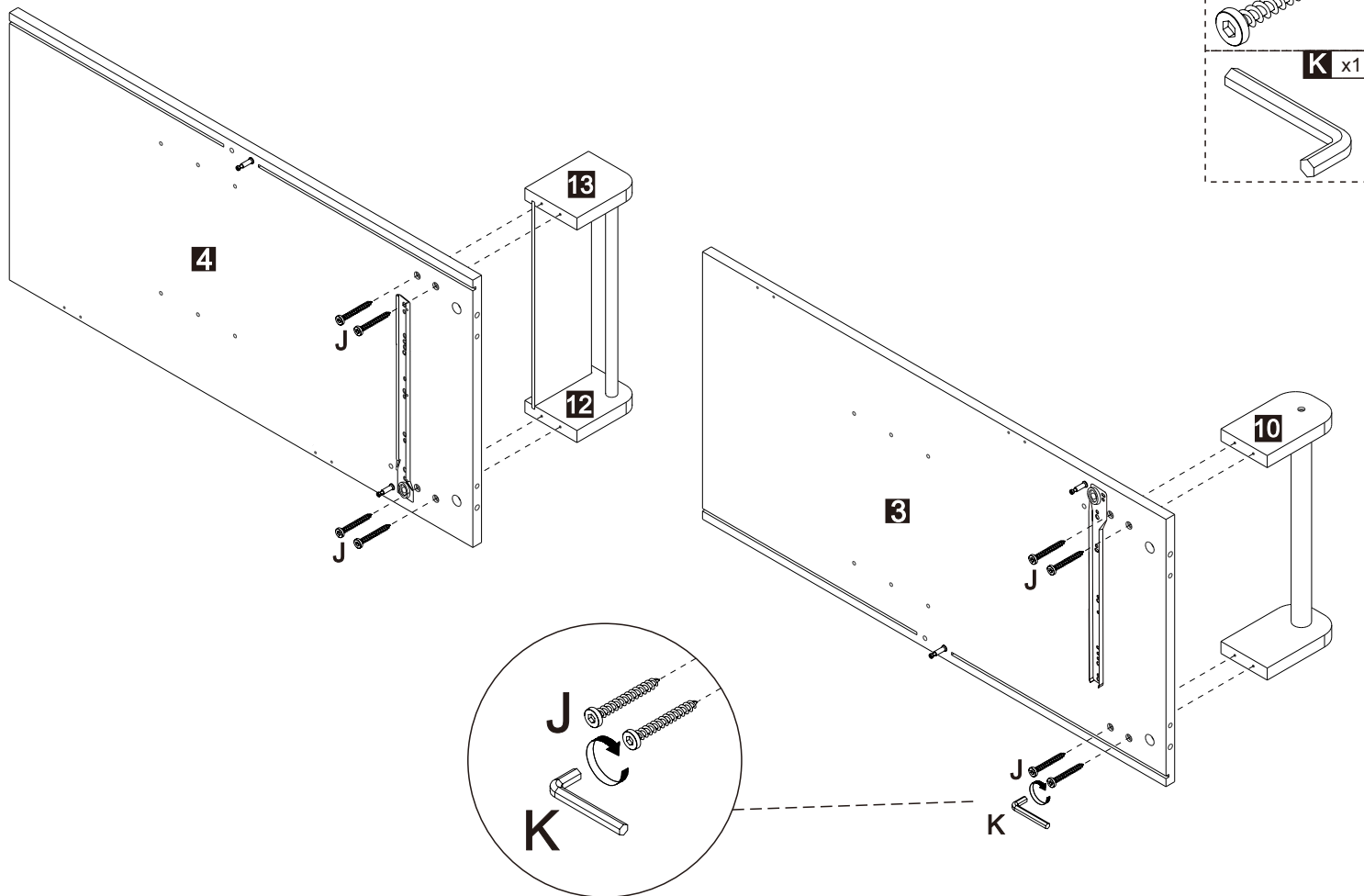
1



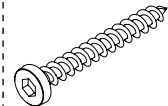
2



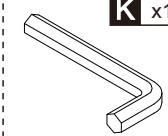
3



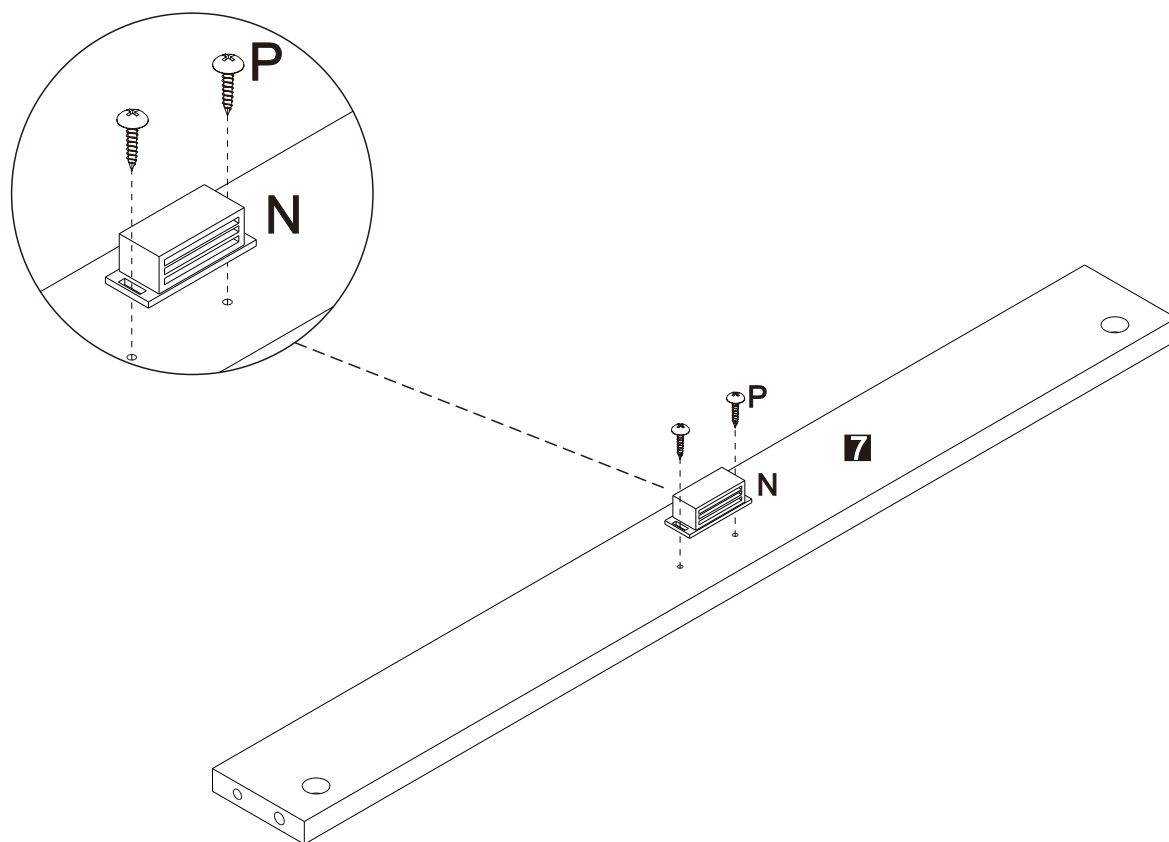
J x8



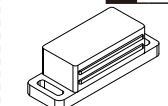
K x1



4



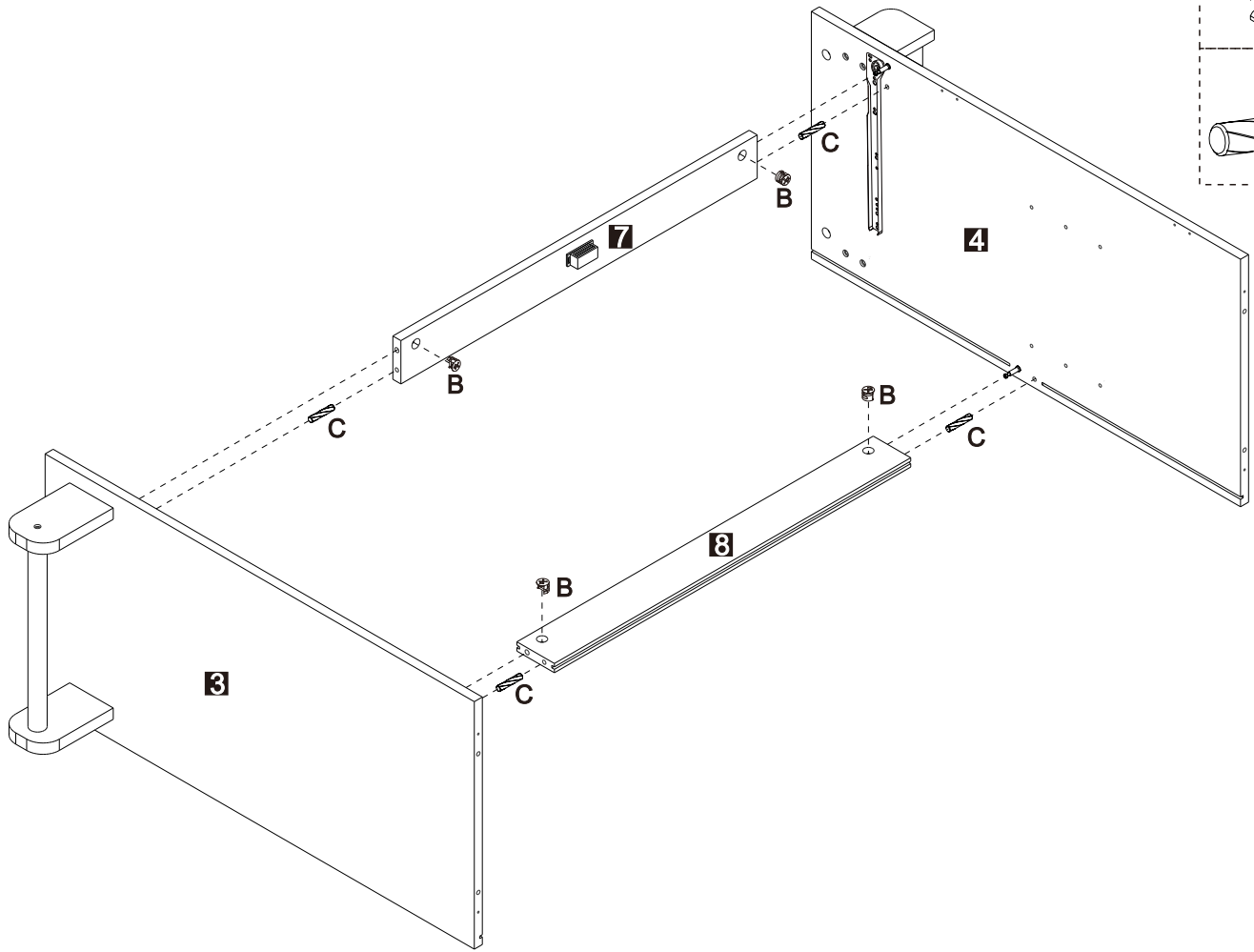
N x1



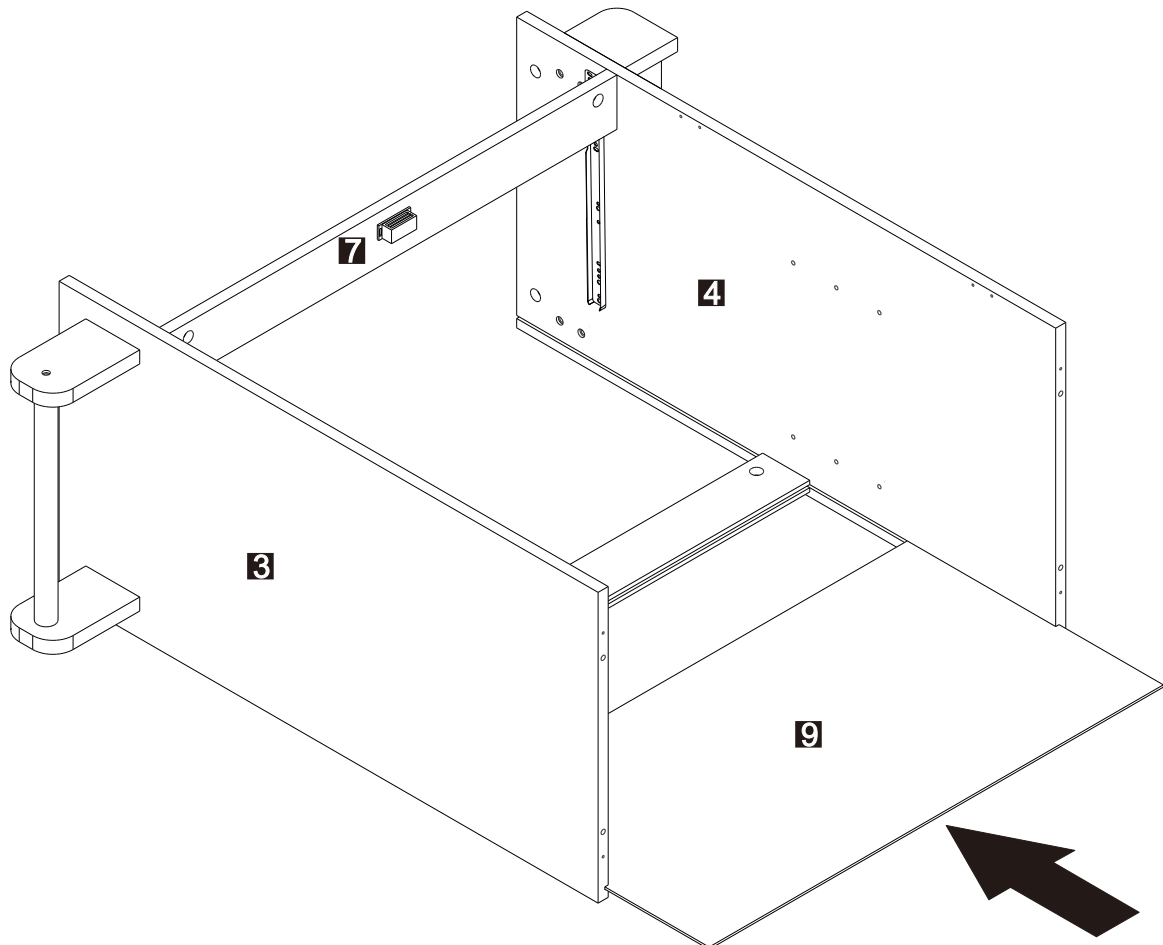
P x2



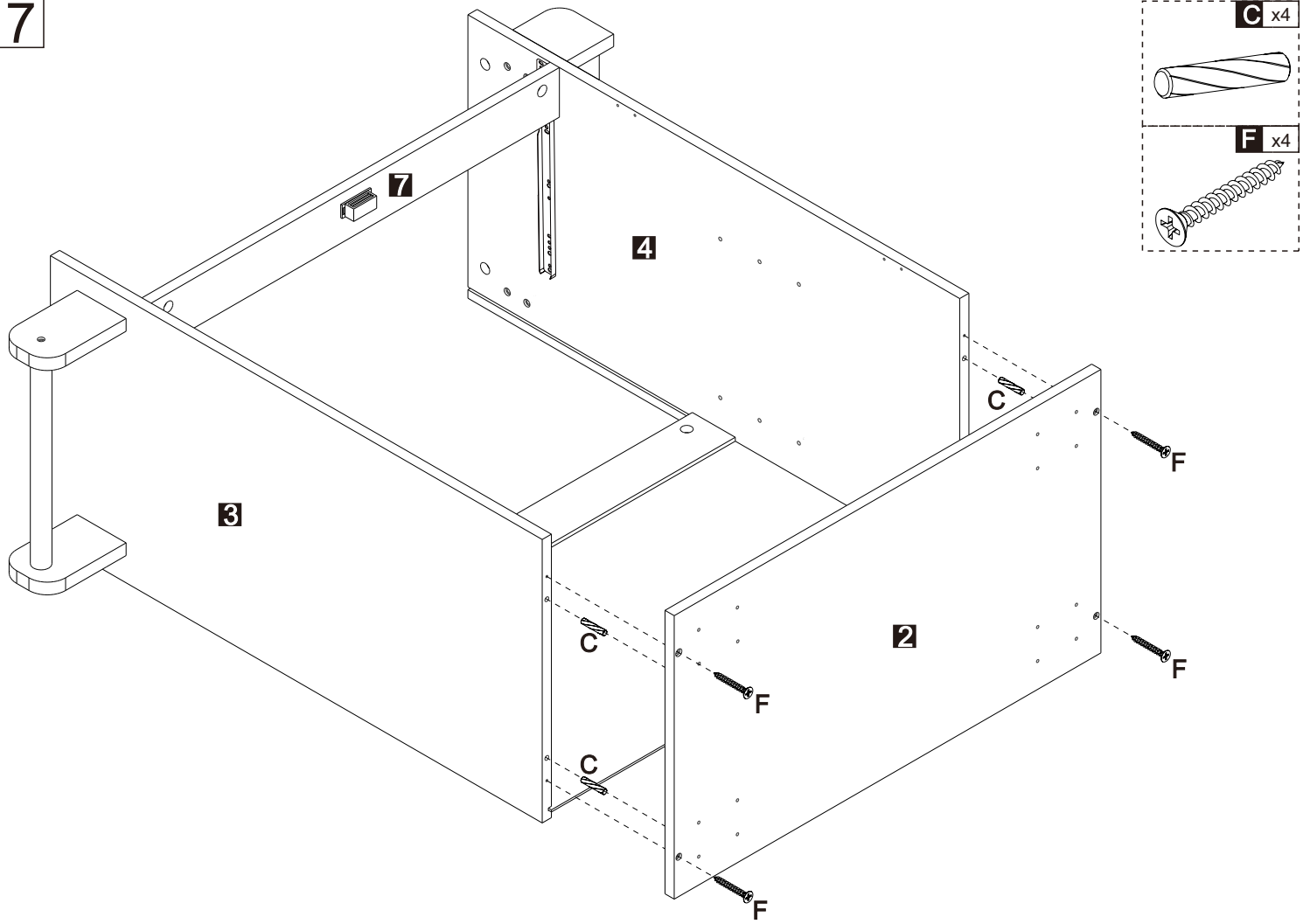
5



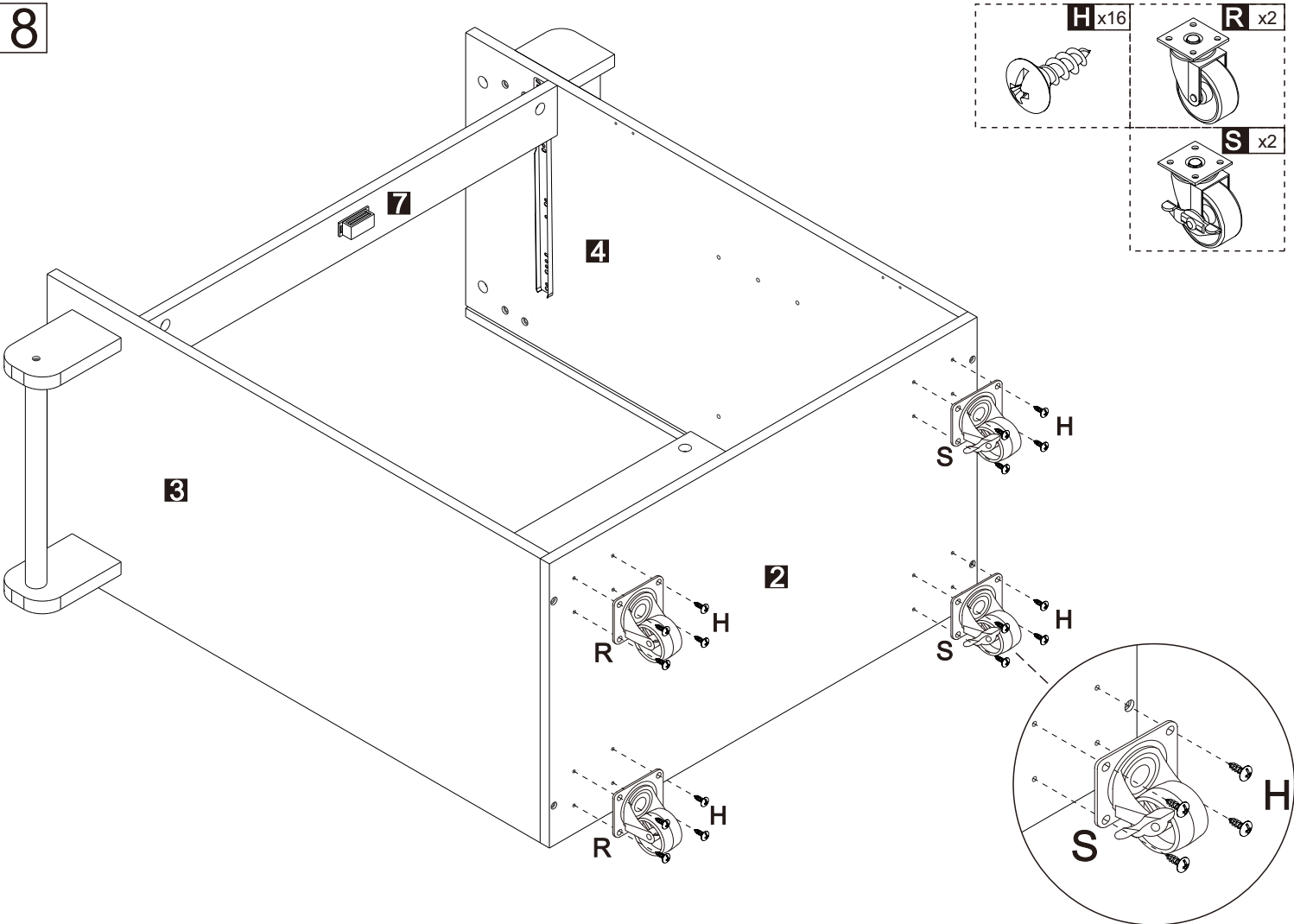
6



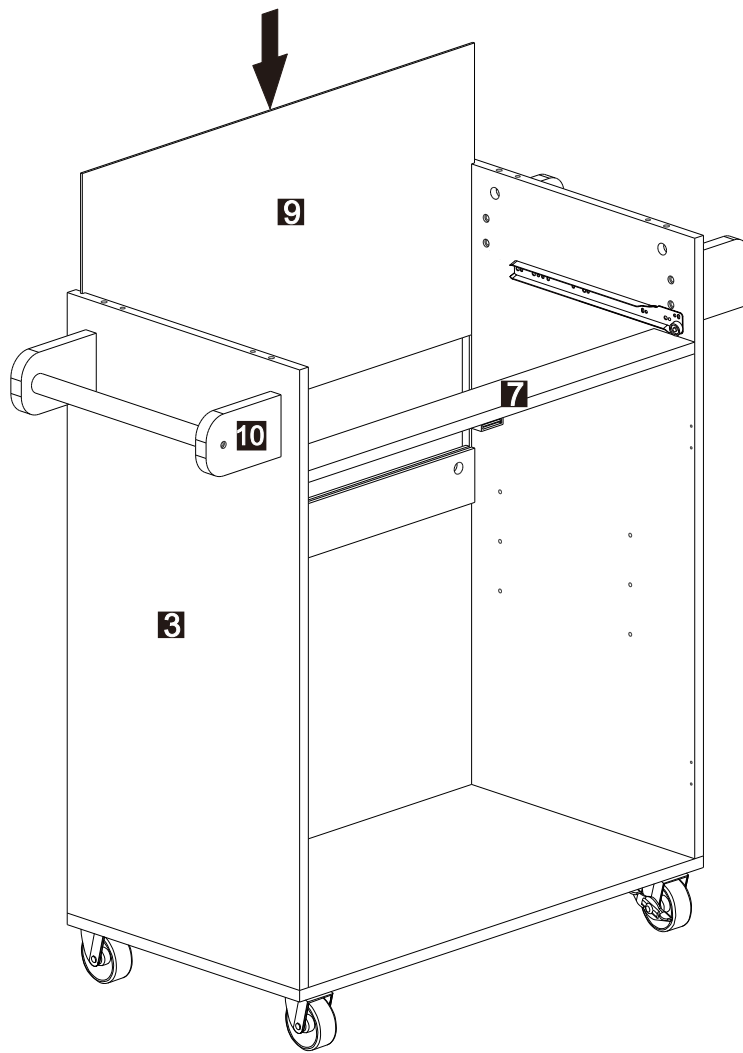
7



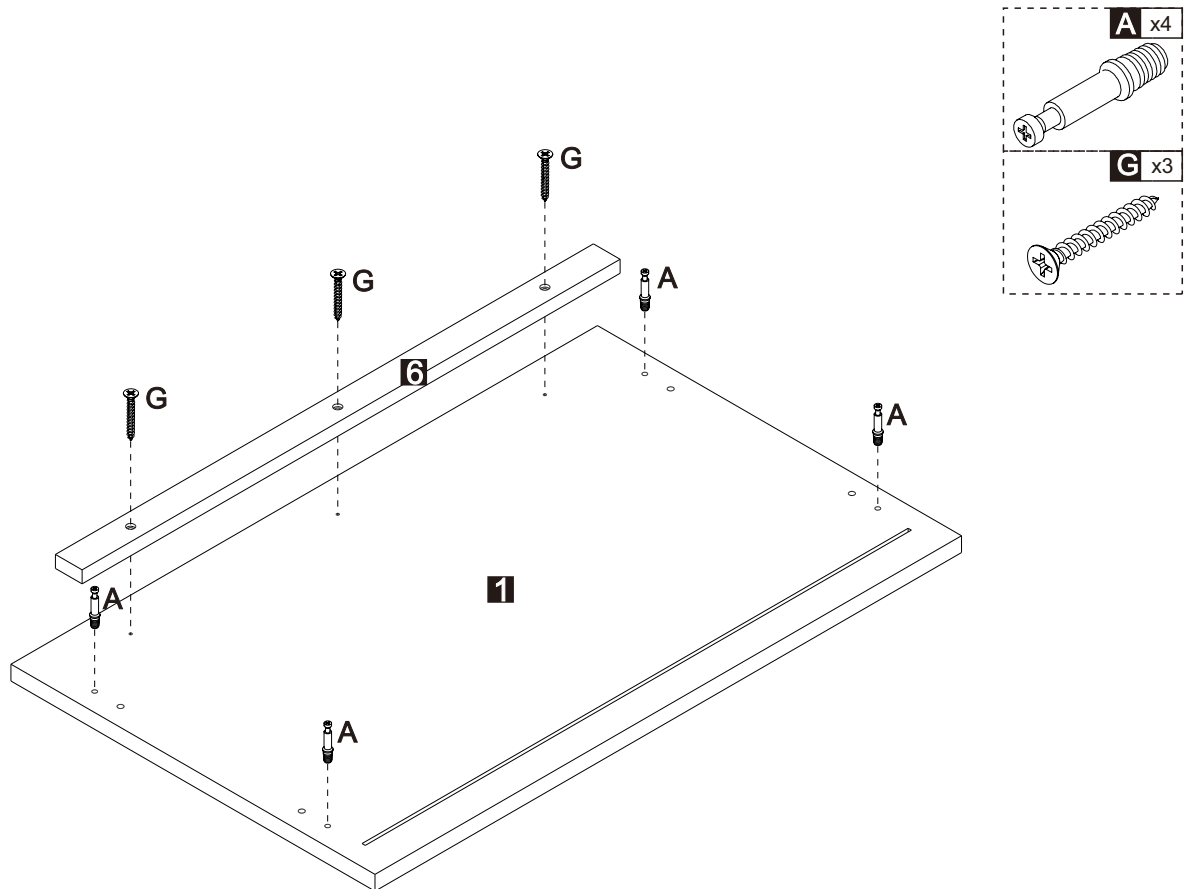
8



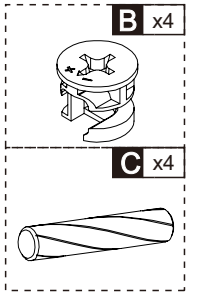
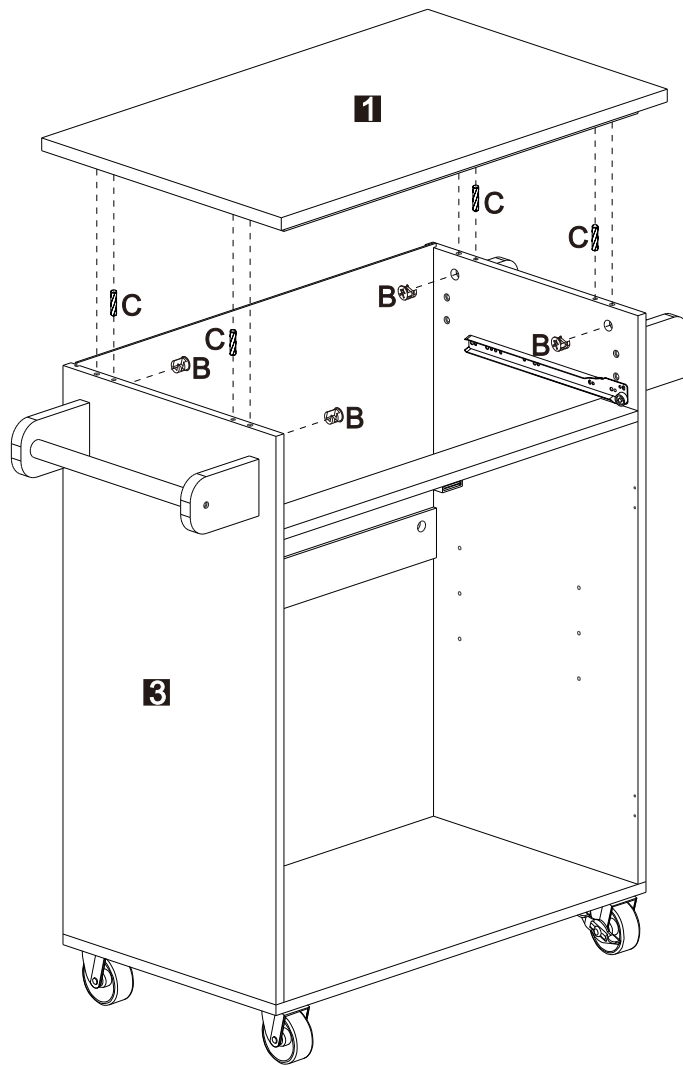
9



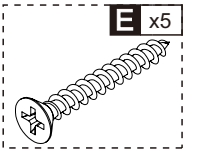
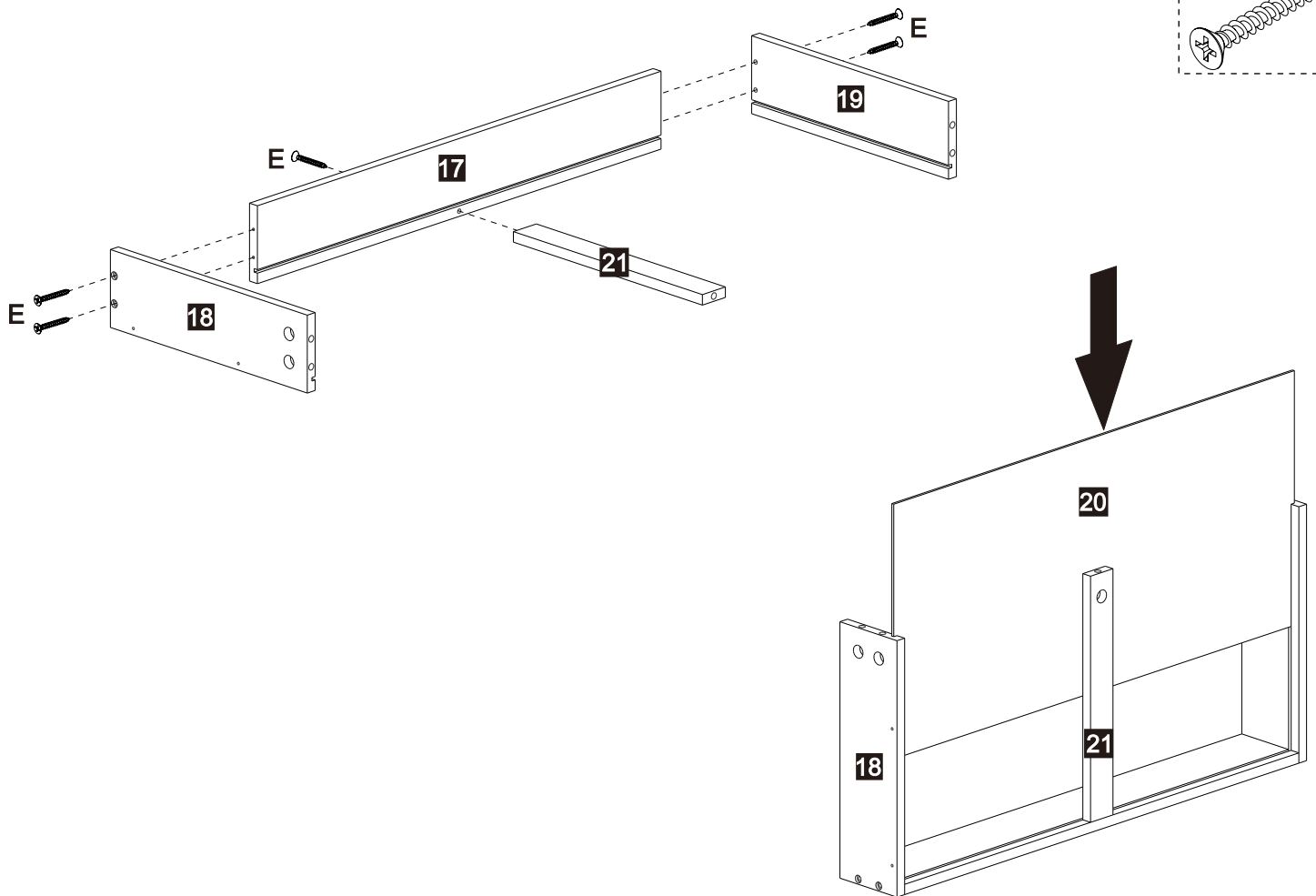
10



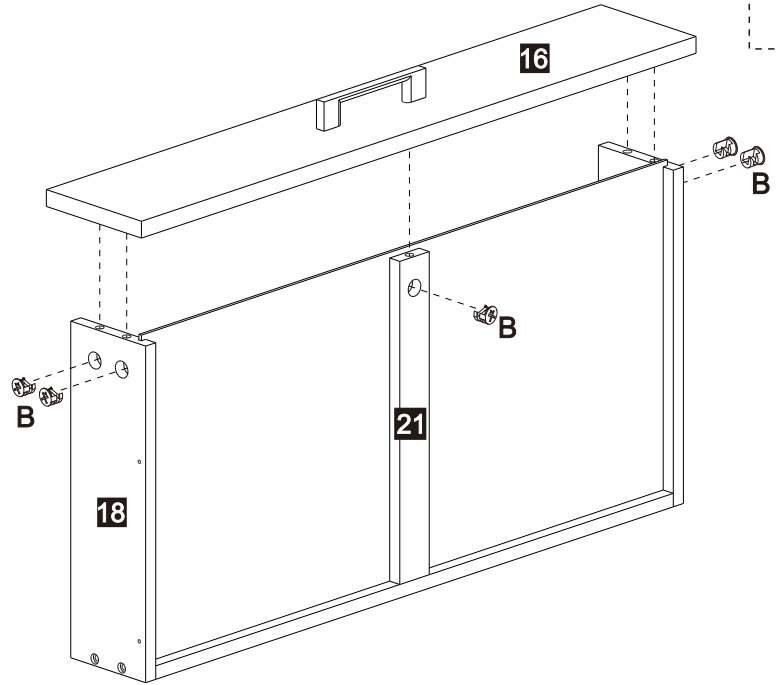
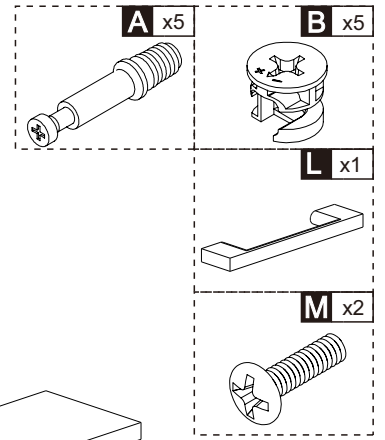
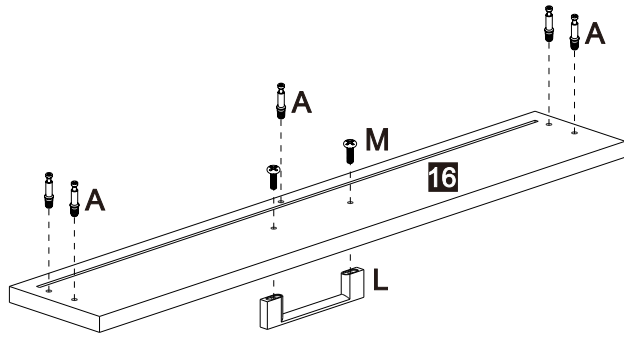
11



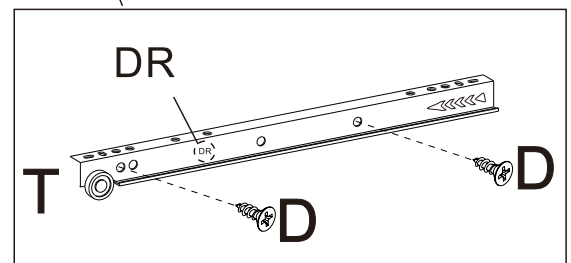
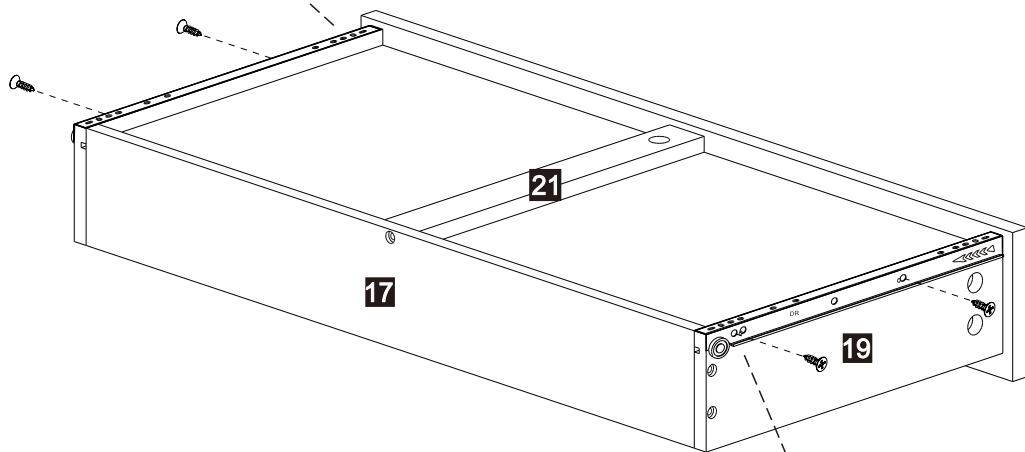
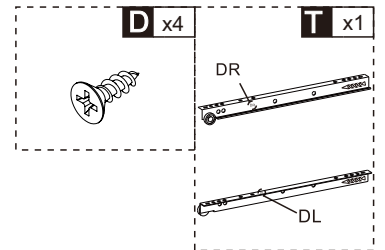
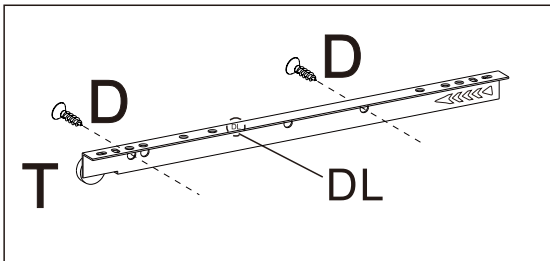
12



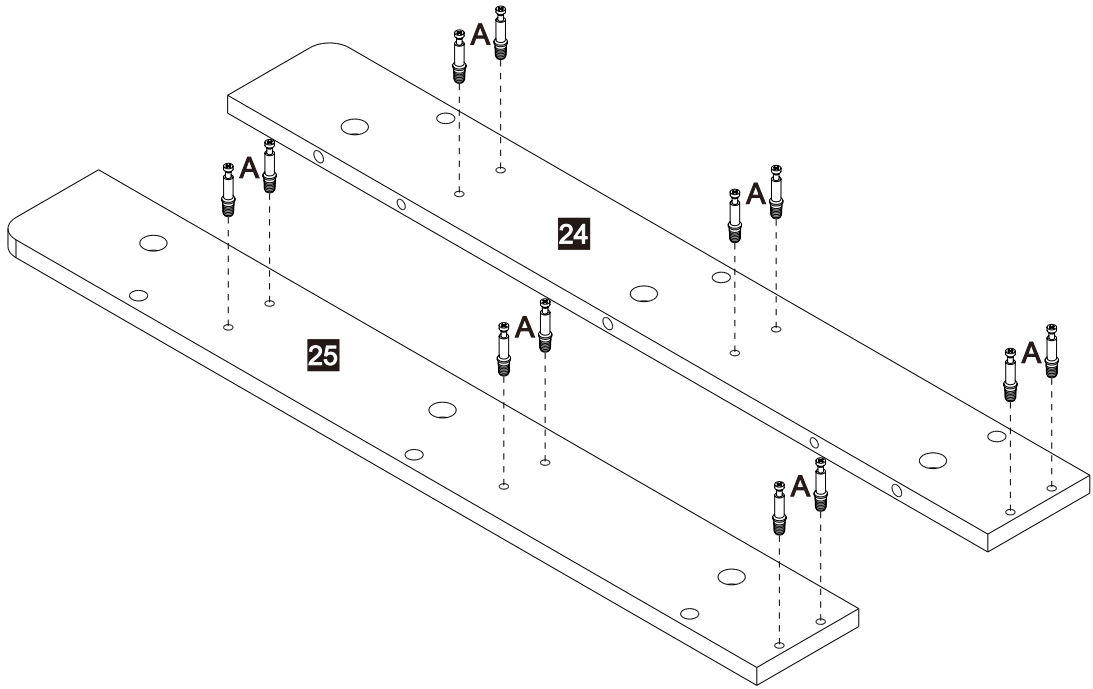
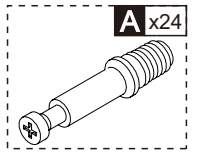
13



14

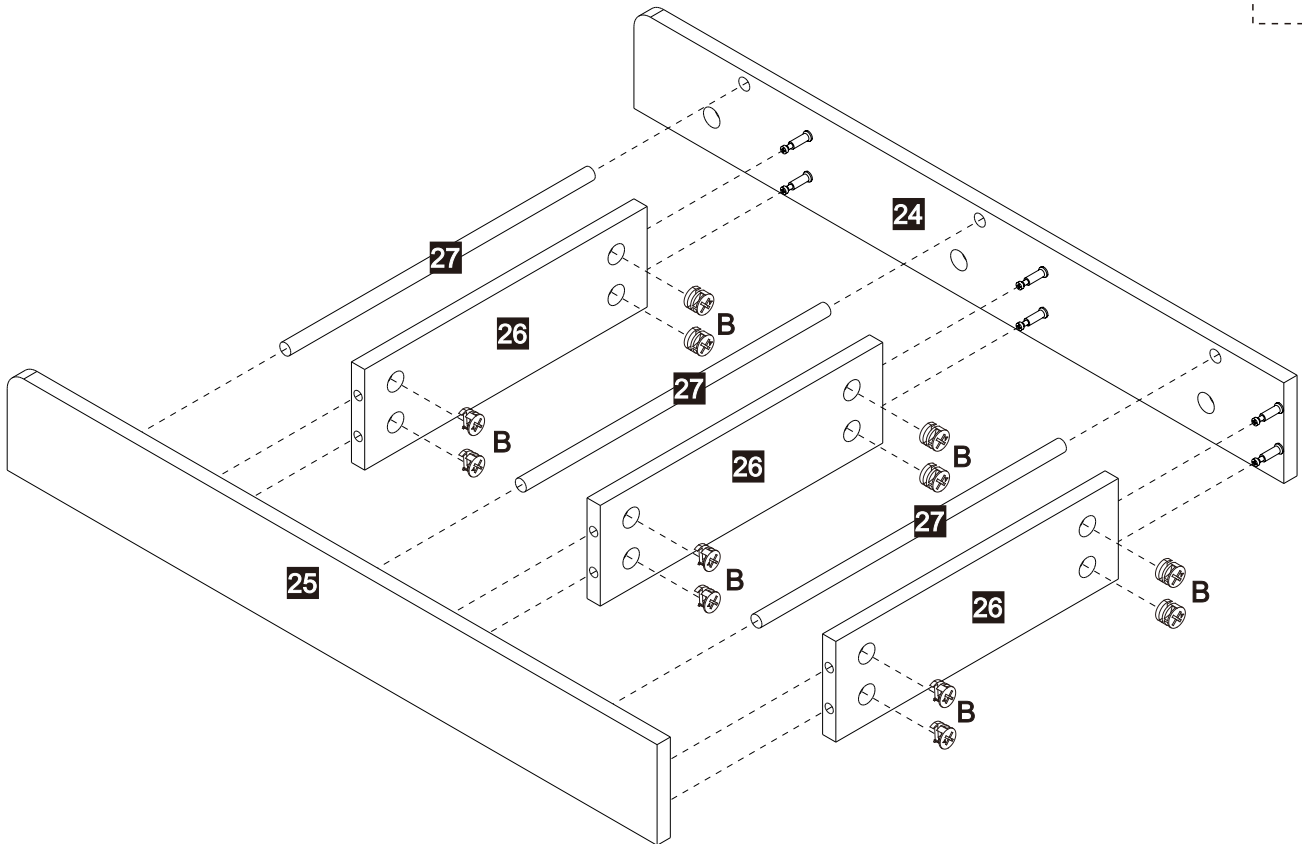
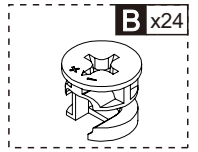


15



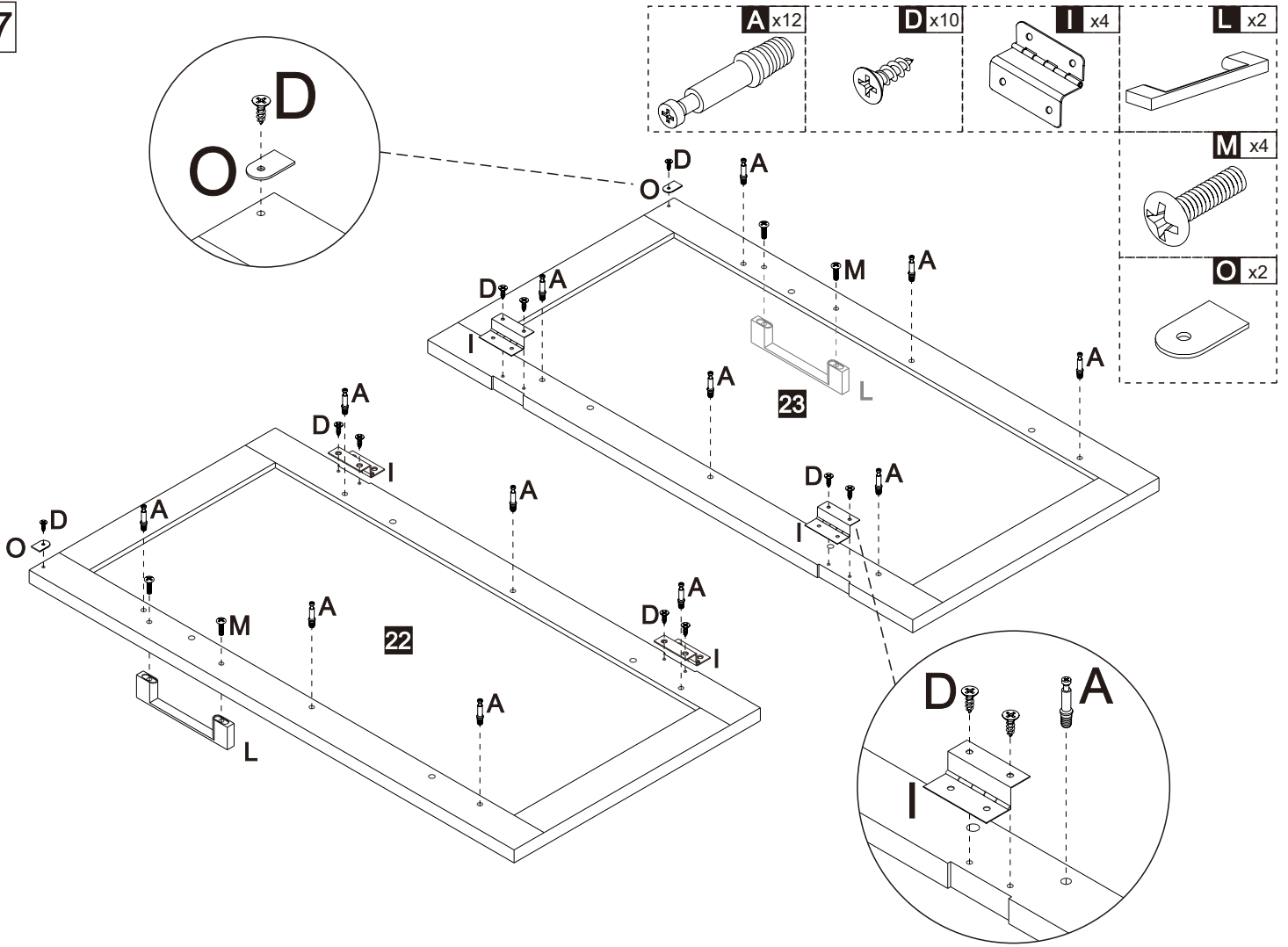
x2

16

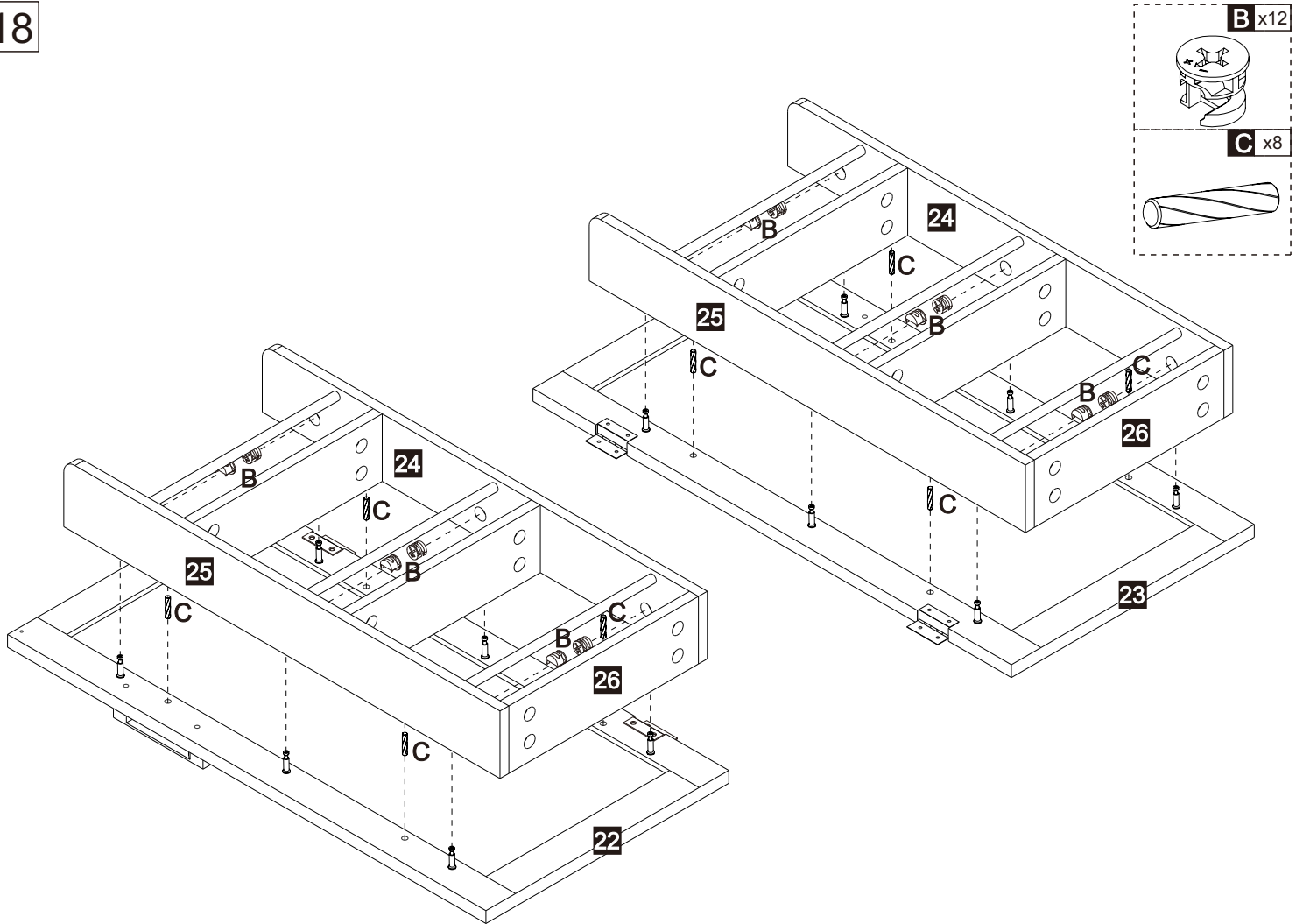


x2

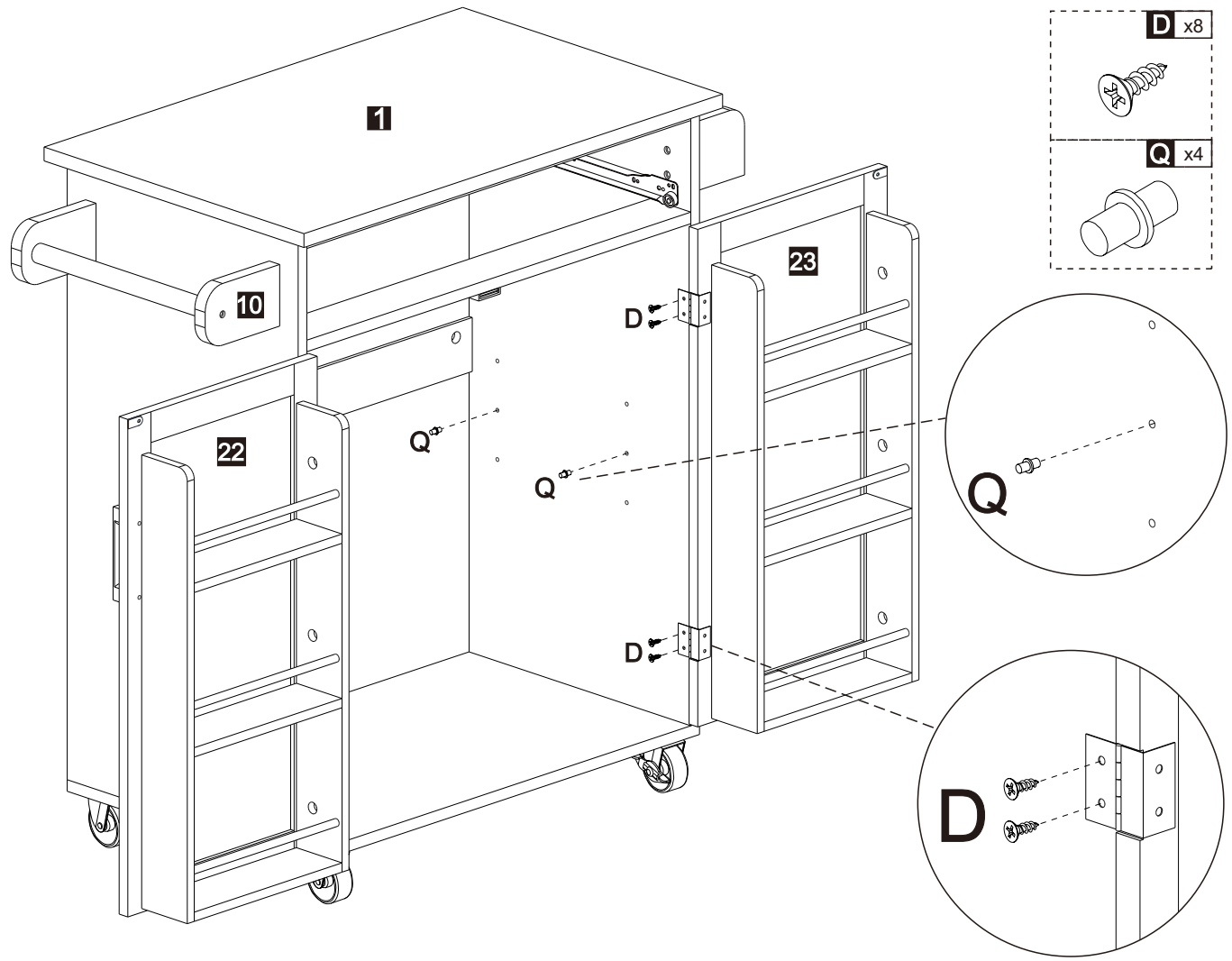
17



18



19



20

